

advance construction products

- BI-FOLDING DOORS ●
- CURTAIN WALLS ●
- GUARDRAILS ●
- HANDRAILS ●
- HINGED DOORS ●
- LOUVERS ●
- SECURITY FENCING ●
- SLIDING DOORS ●
- SUN BREAKERS ●



**CANADIAN ARCHITECTURAL & ENGINEERED PRODUCTS**



## Introduction

Until recently, architectural specialties Industry was saturated by handful of players, that offered limited specifications and left little or no room for tailor-made solutions or customization. To break this hegemony, a group of engineers got together in Canada and found Prospec Specialties in 2011. Since then, Prospec, has grown to manufacture a wide range of architectural products to suit your dynamic project needs. Customization and value-engineering being our core competency.



*Providing Solutions.*

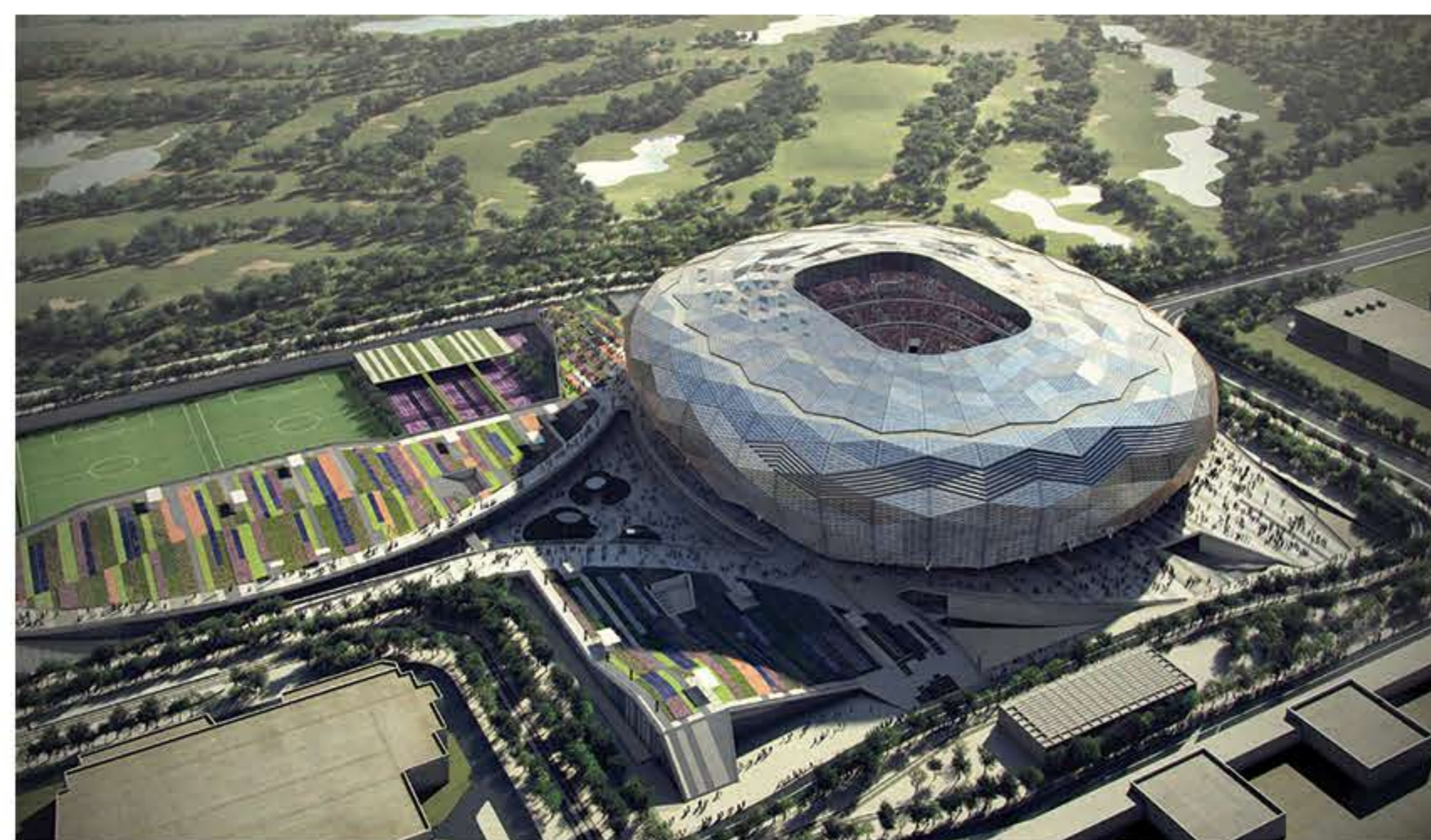


## Mission

Prospec Specialties shall design, manufacture and market high quality building materials to sell them at customer friendly pricing with quick turn-around time.

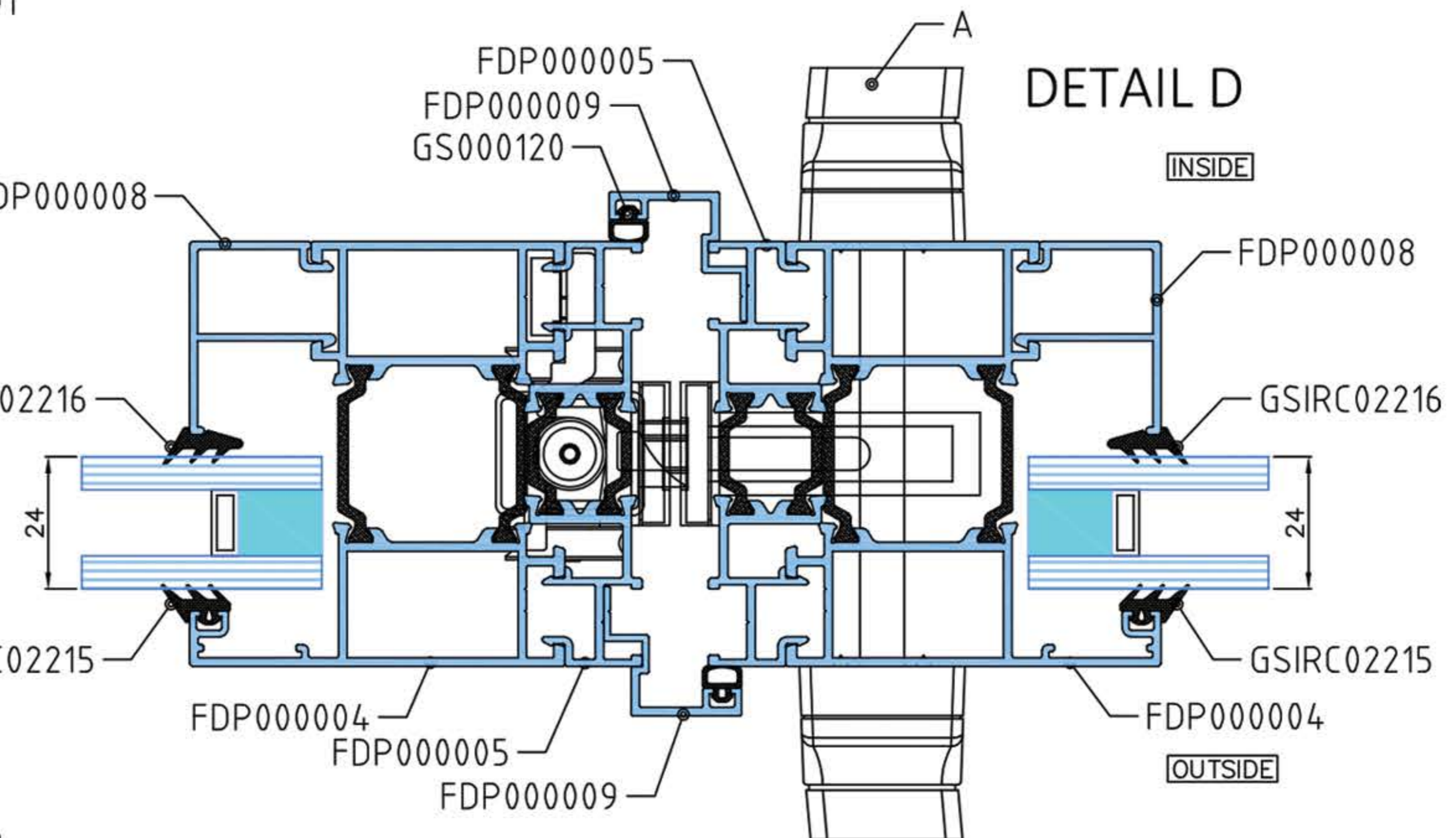
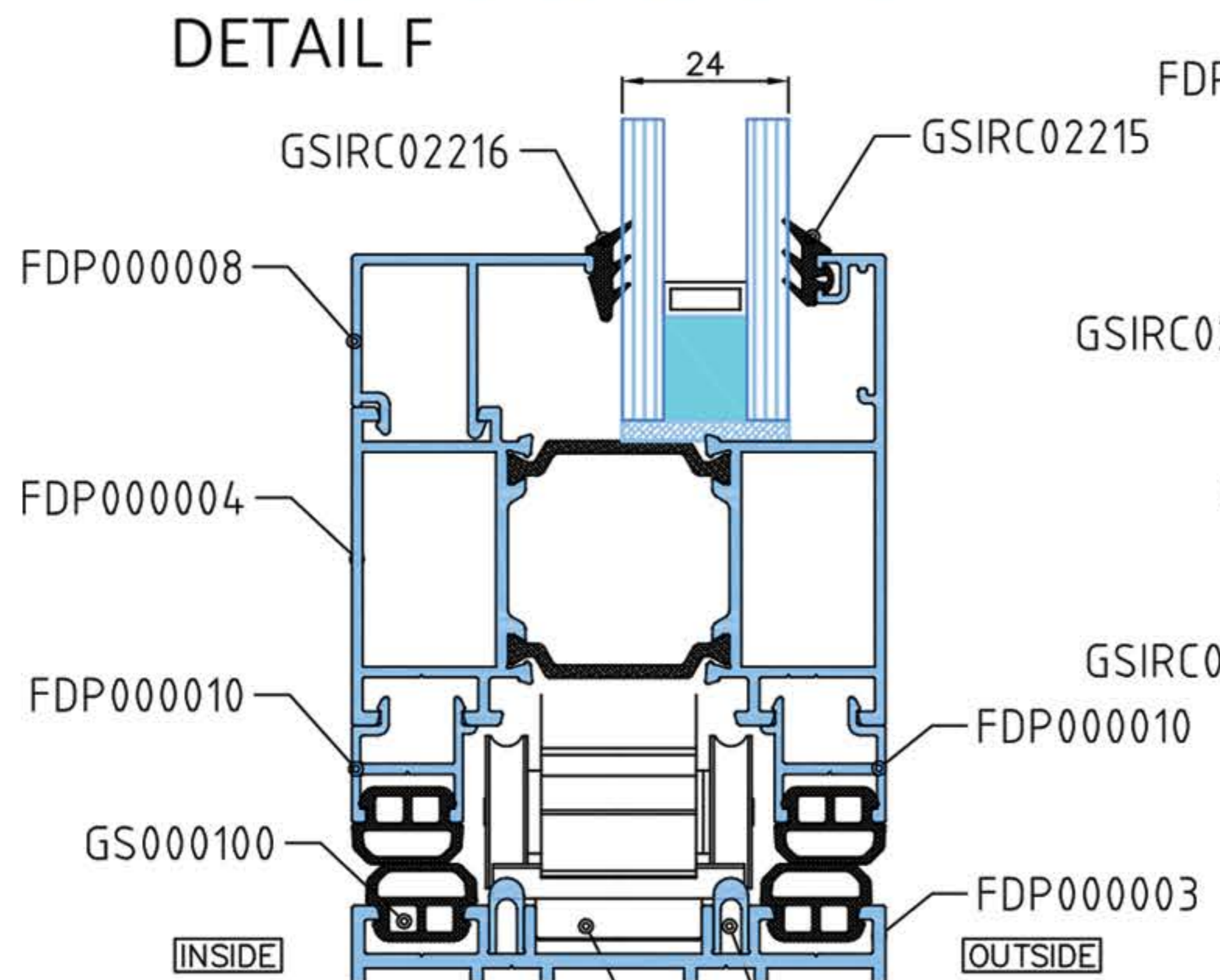
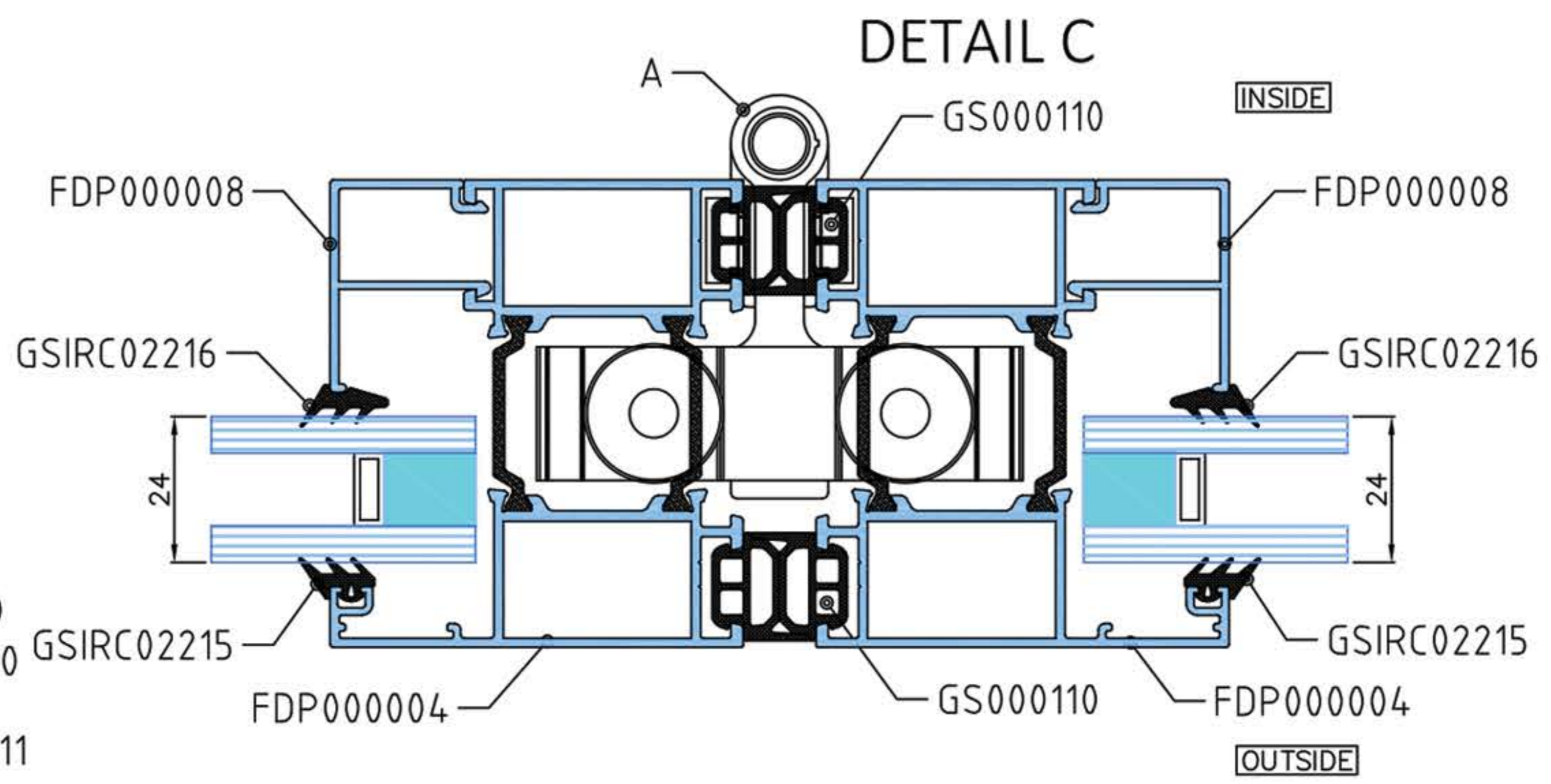
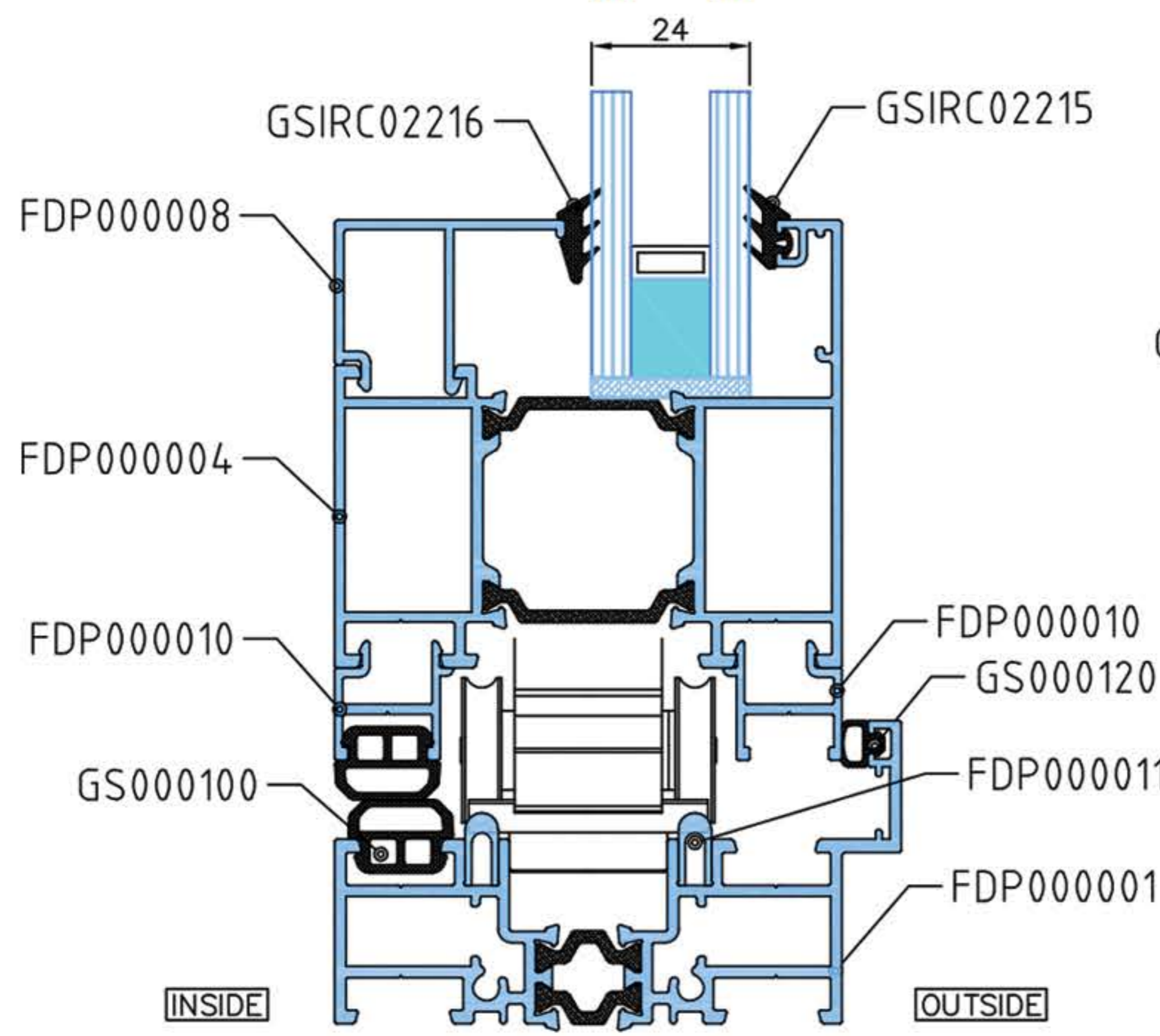
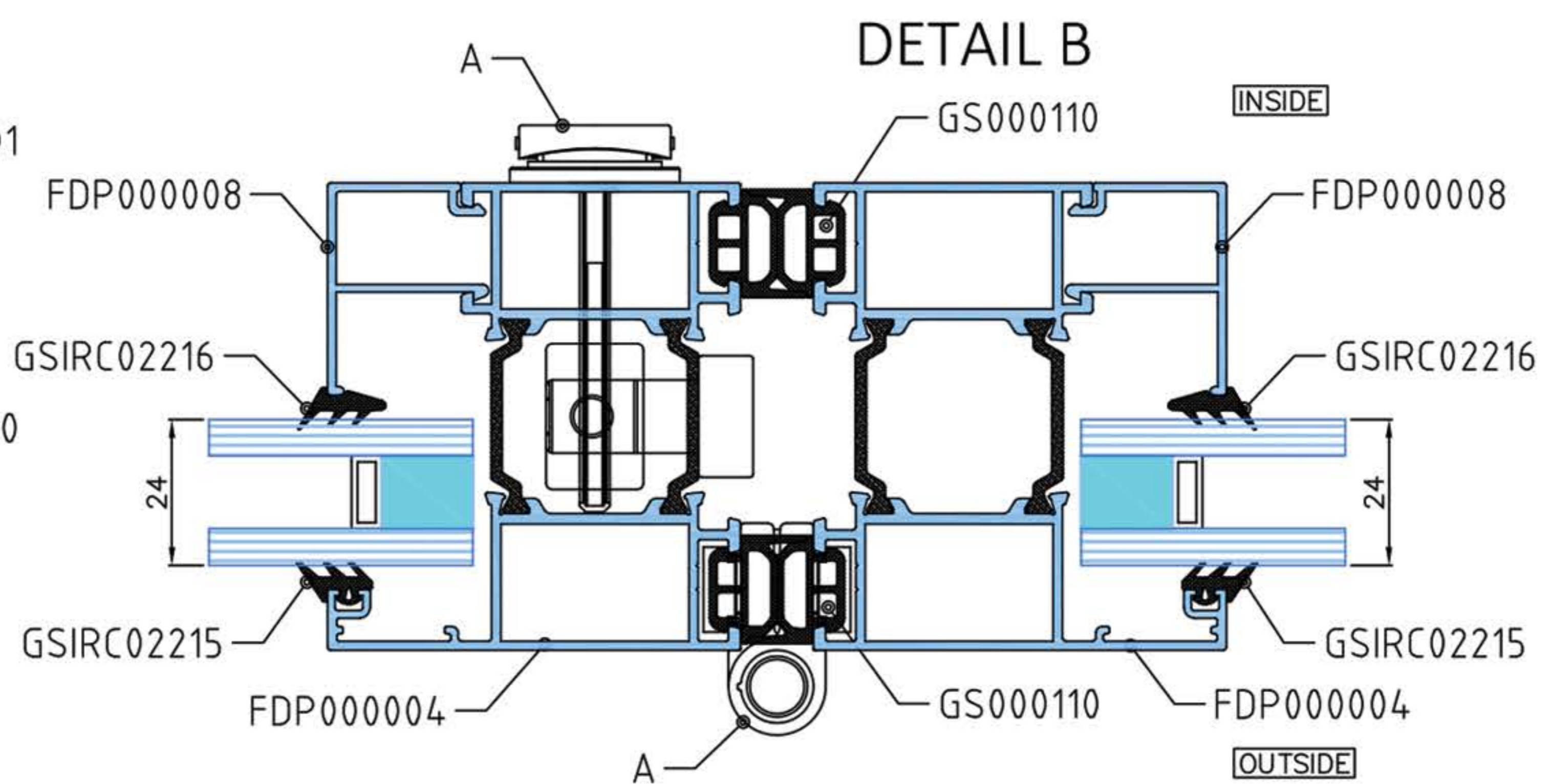
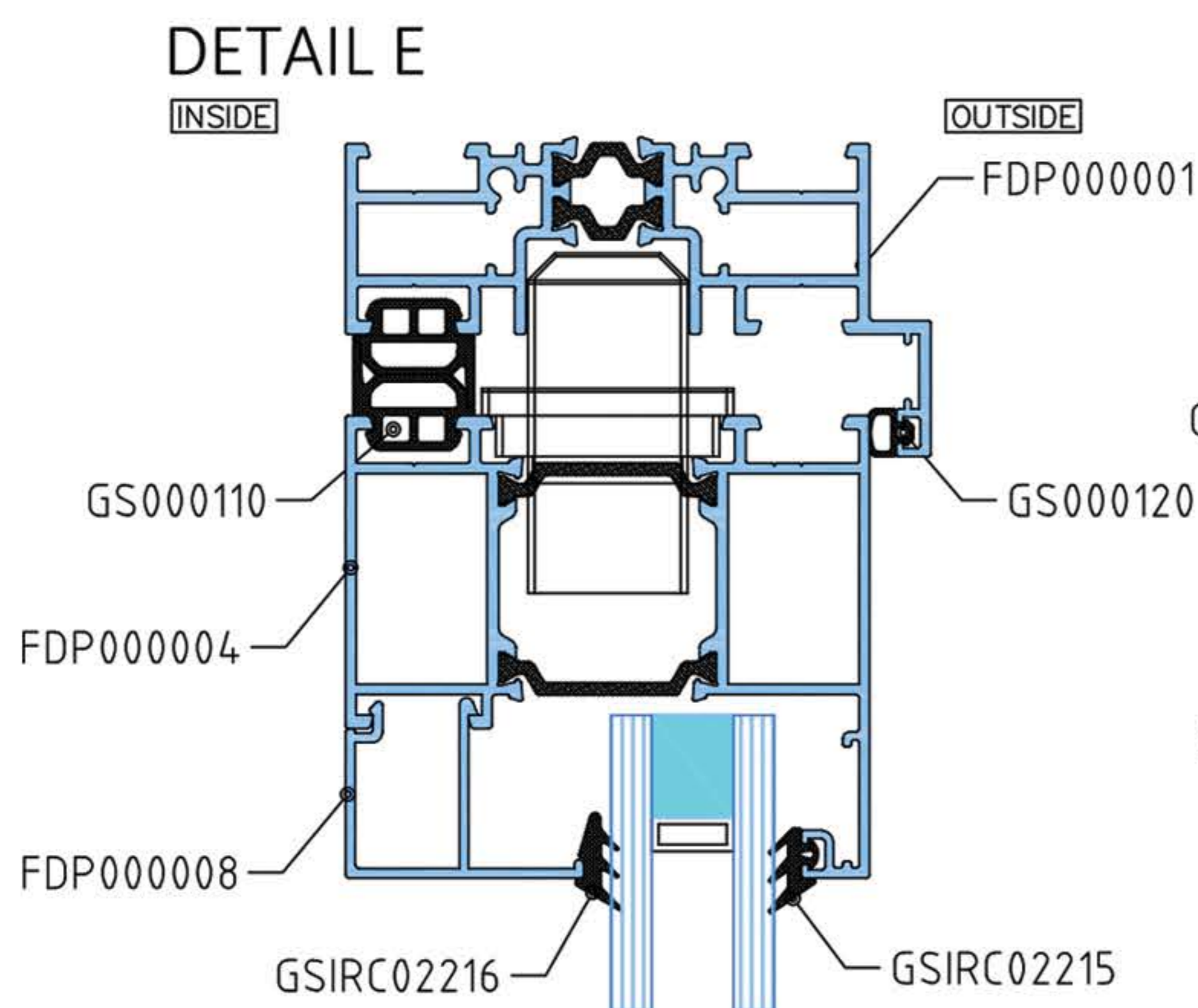
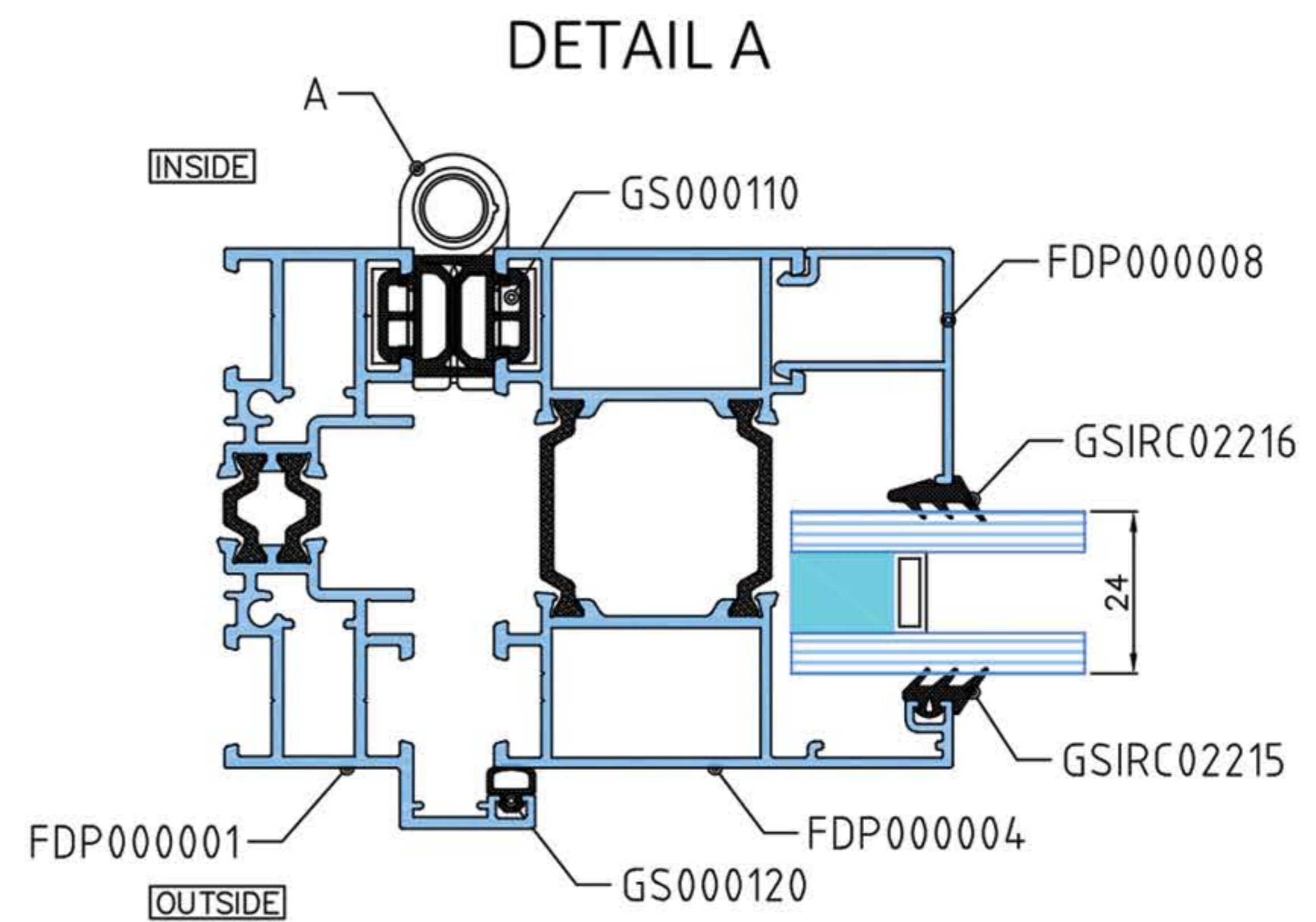
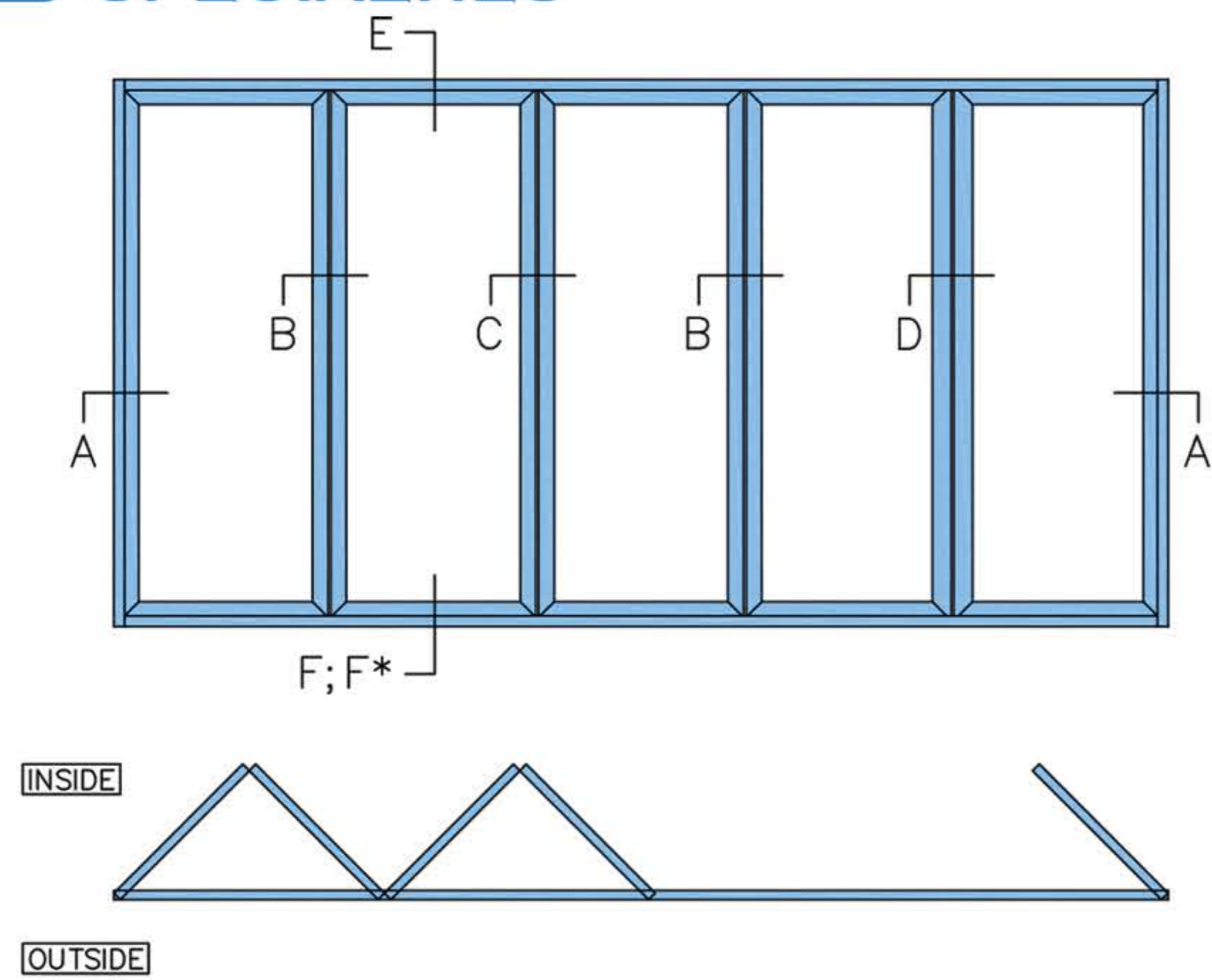
## Table of Contents

BI-FOLDING DOORS . . . . .	.4 - 9
CURTAIN WALLS . . . . .	.10 - 30
GUARDRAILS . . . . .	.31 - 34
HANDRAILS . . . . .	.35 - 44
HINGED DOORS . . . . .	.45 - 70
LOUVERS . . . . .	.71 - 78
SECURITY FENCING . . . . .	.79 - 82
SLIDING DOORS . . . . .	.83 - 90
SUN BREAKERS . . . . .	.91 - 96



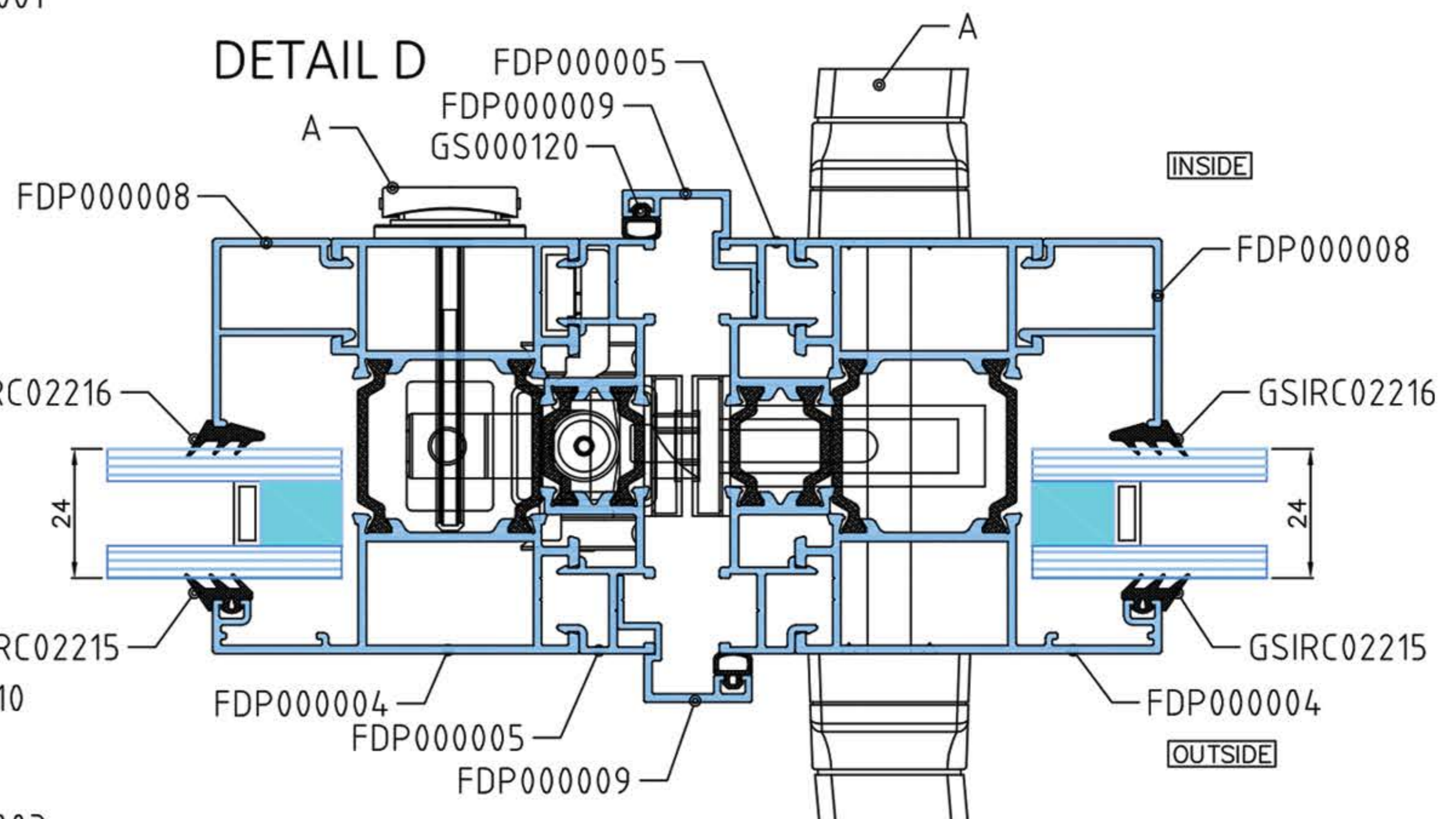
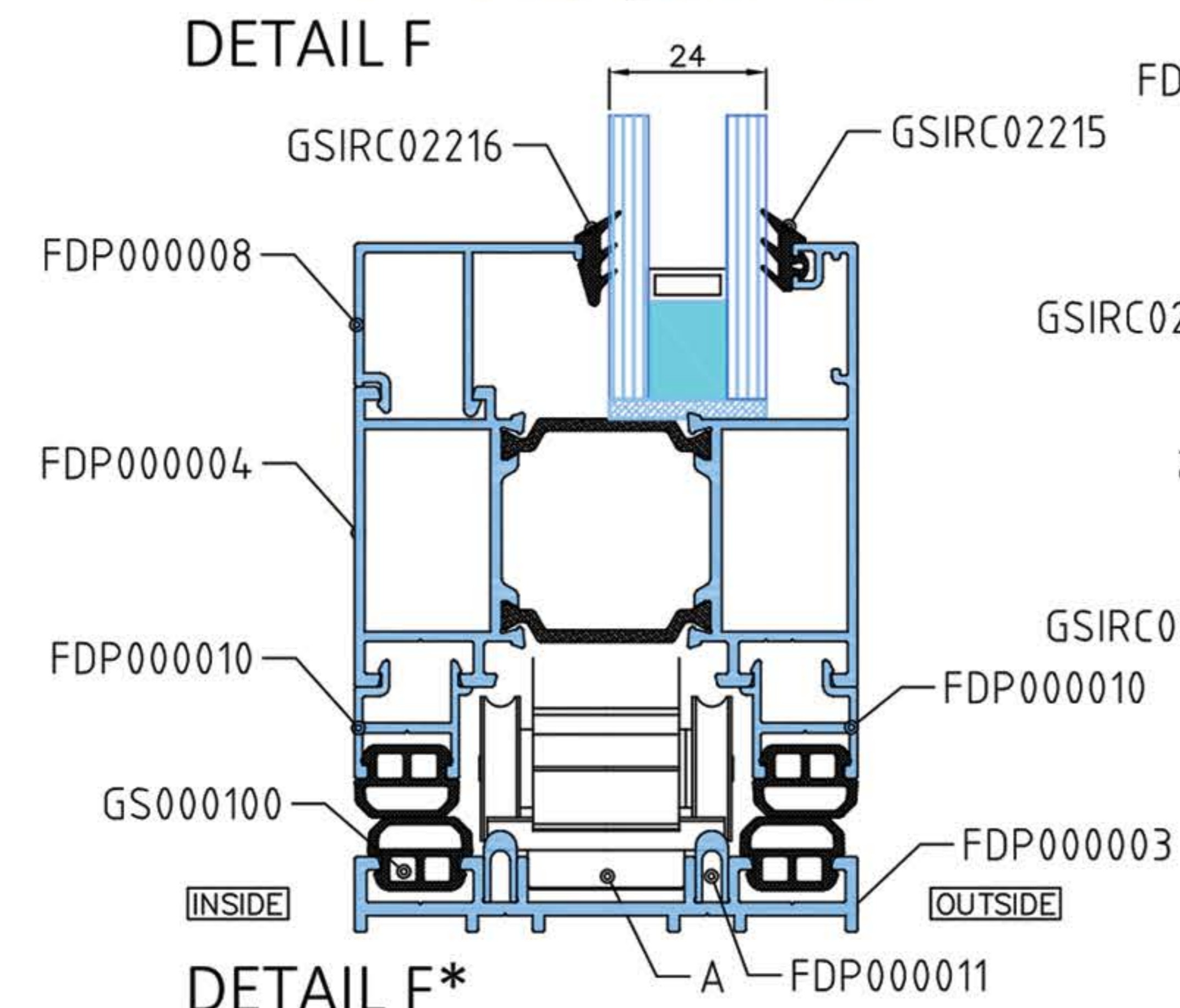
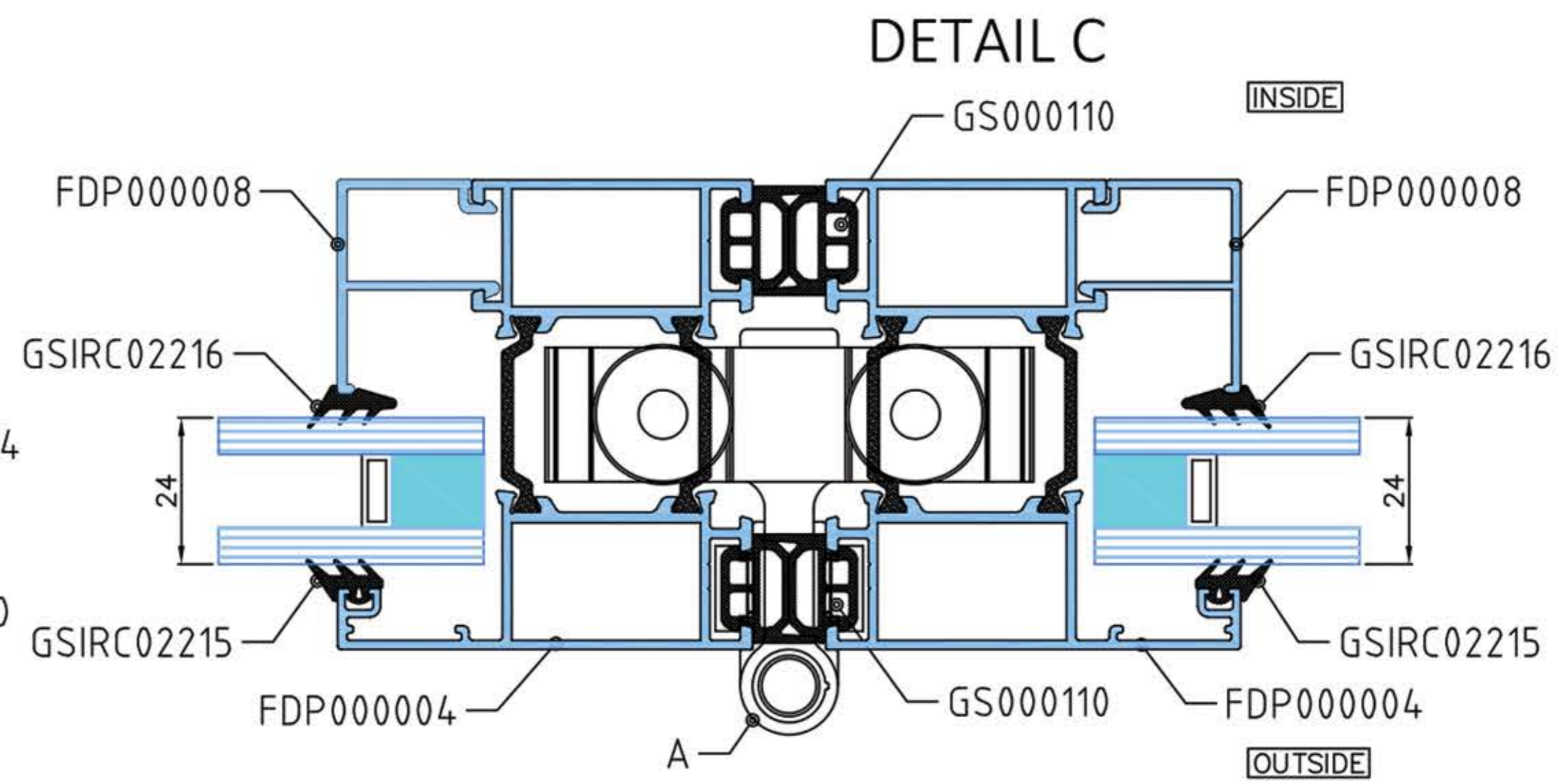
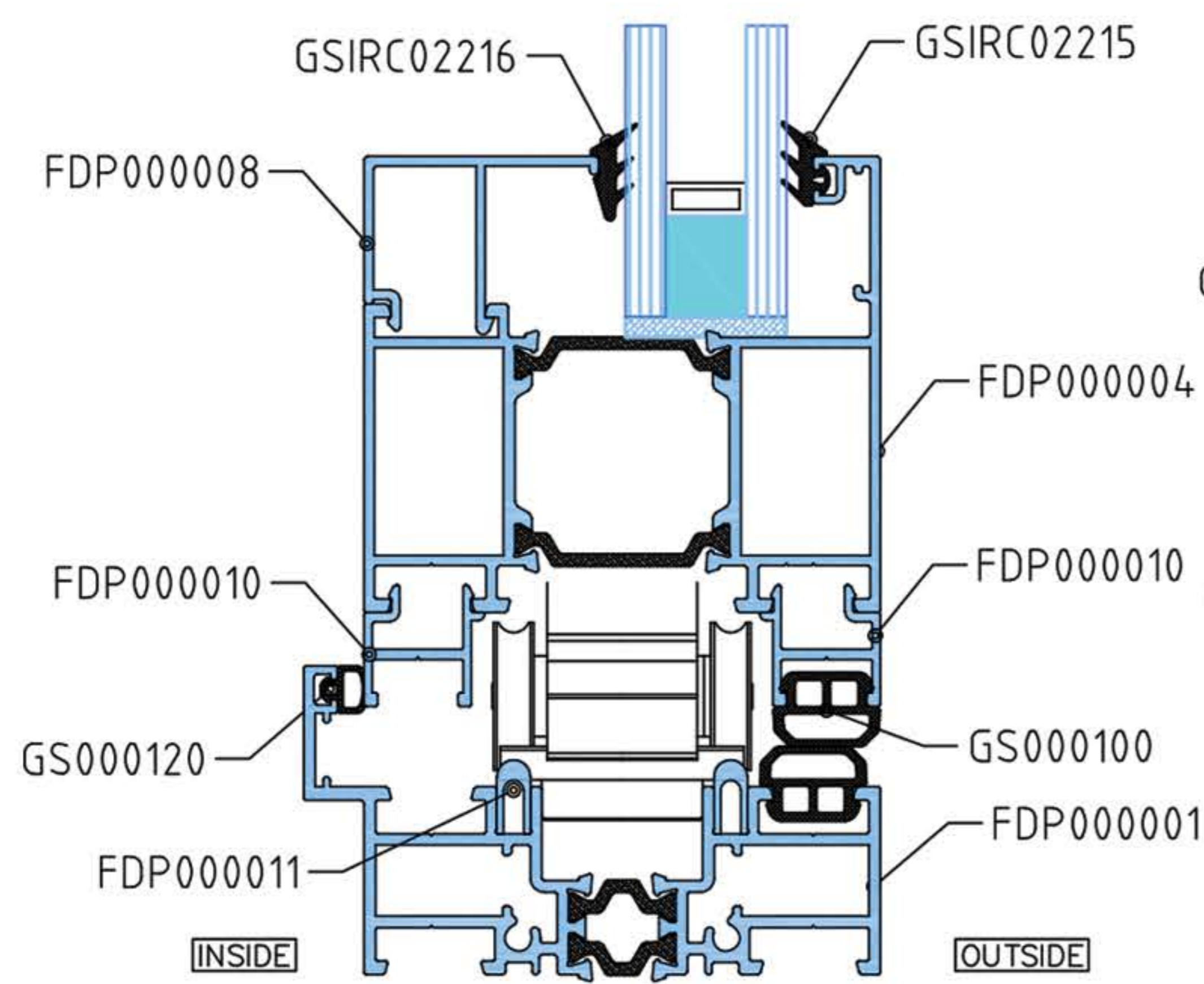
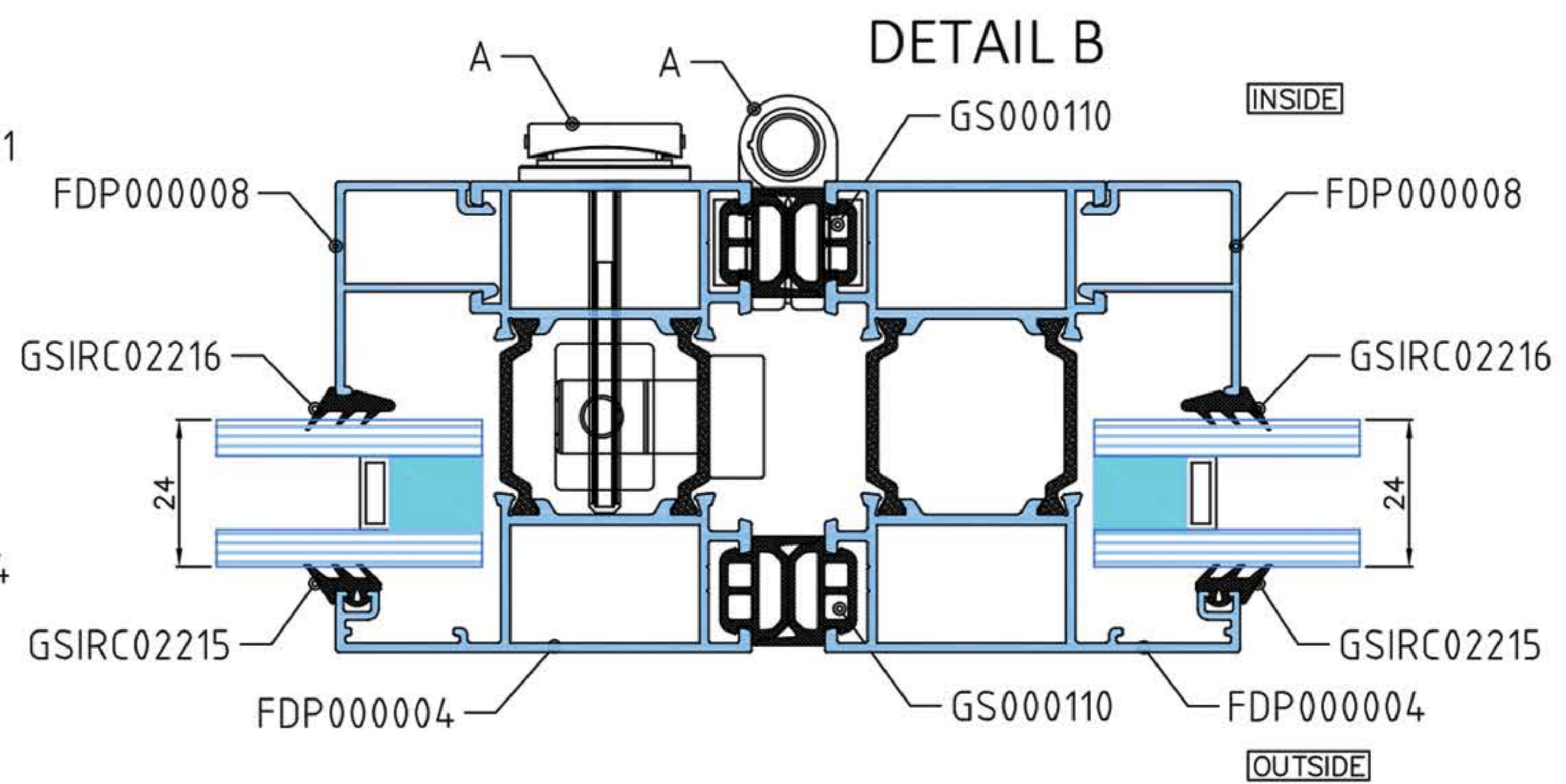
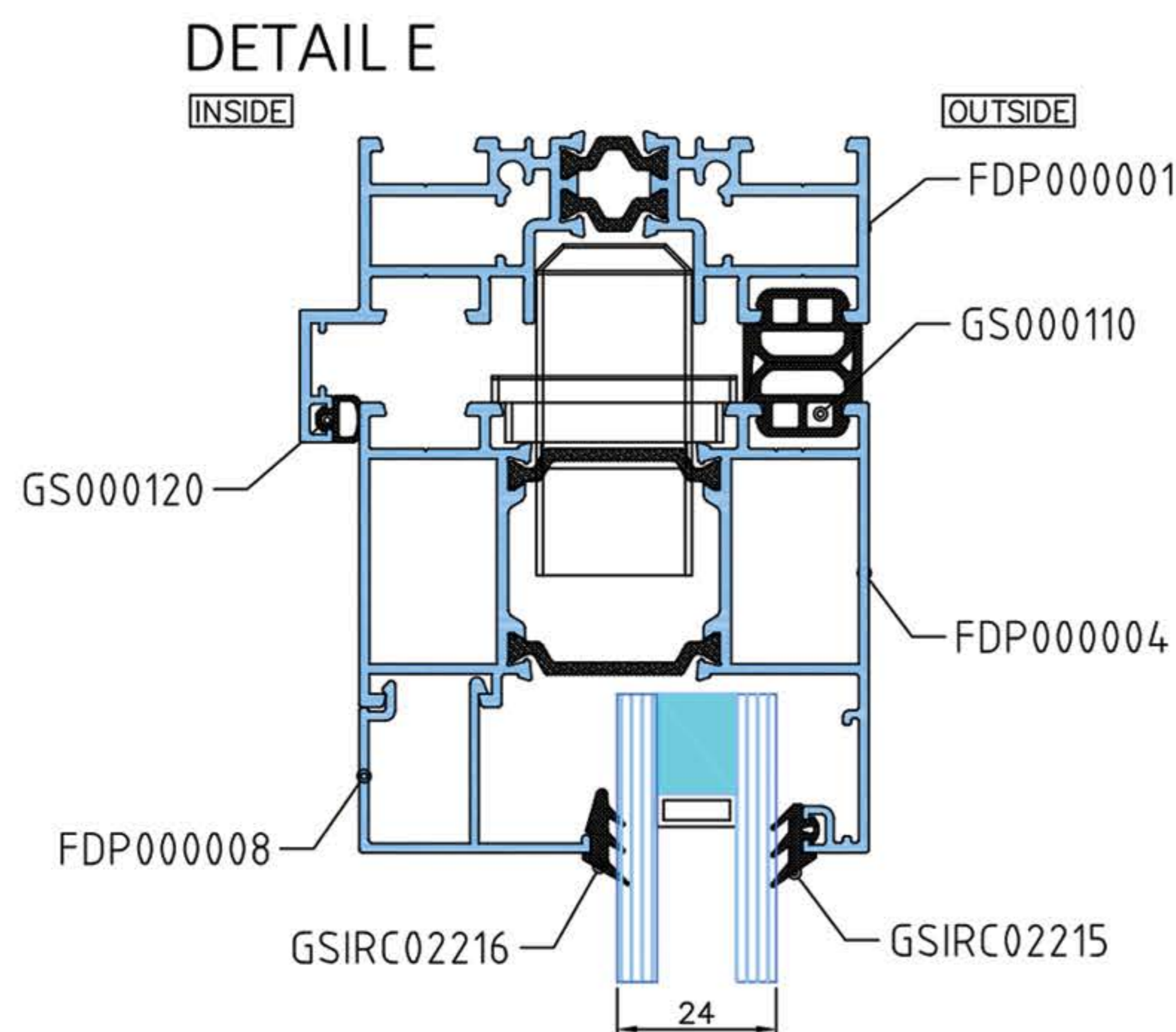
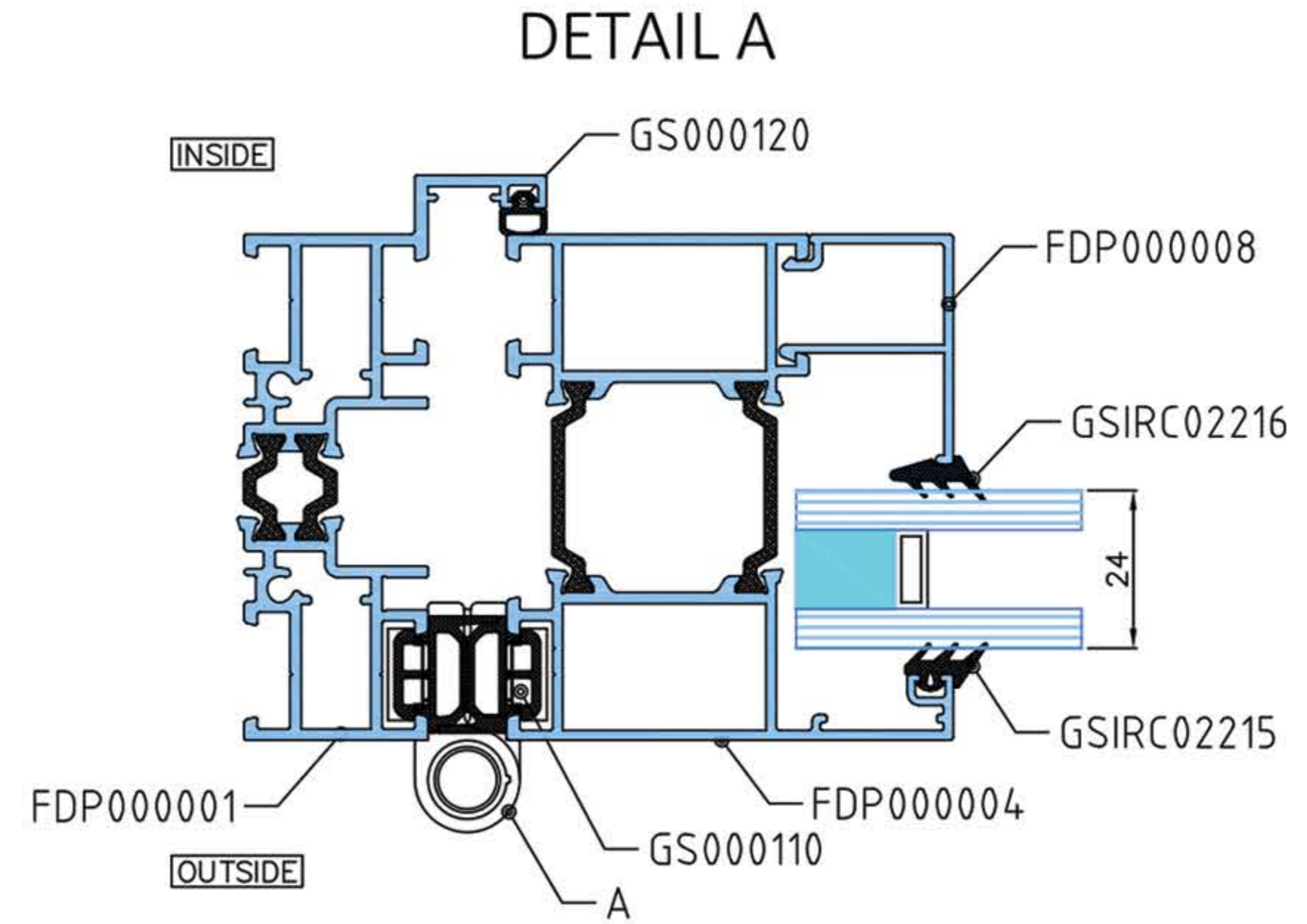
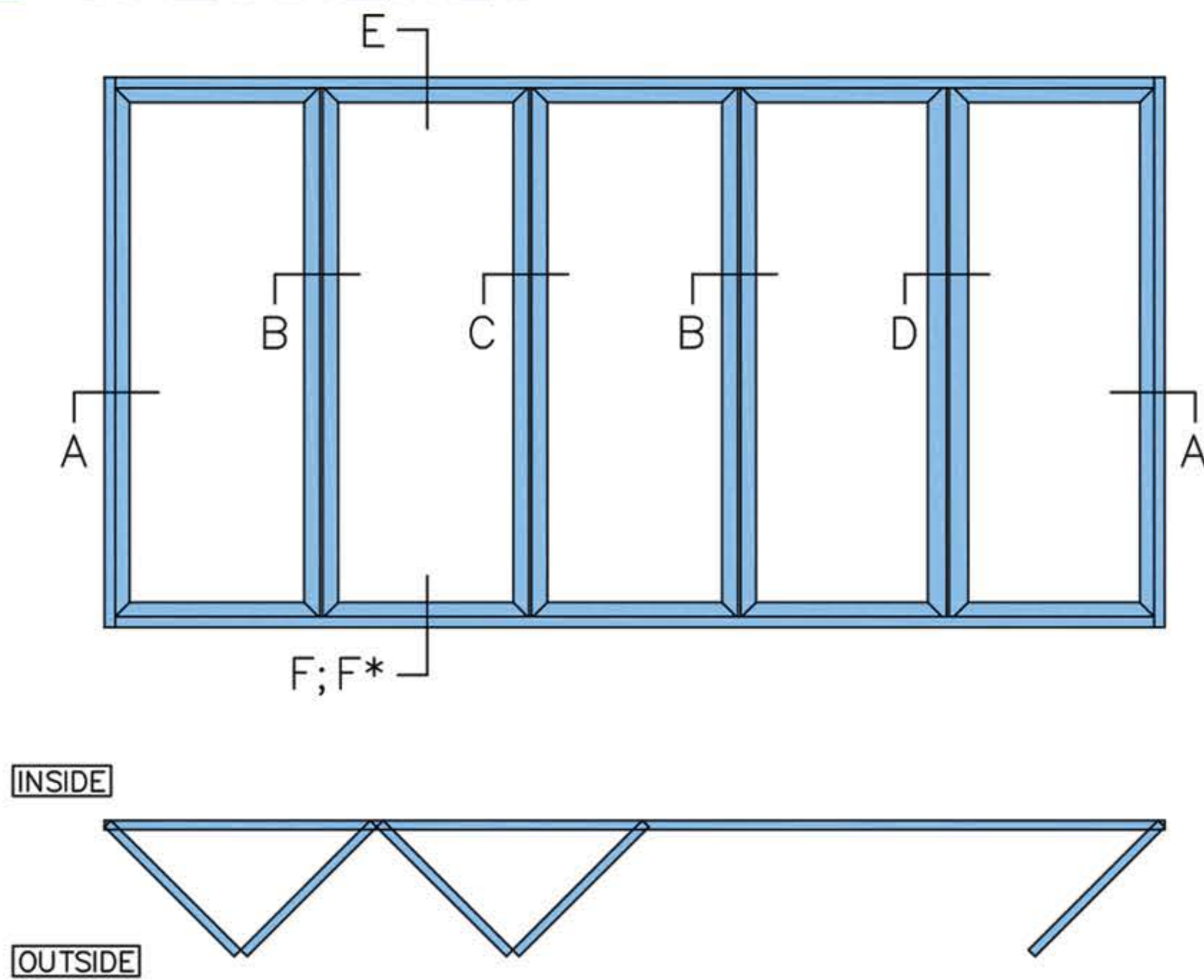
# BI-FOLDING DOORS





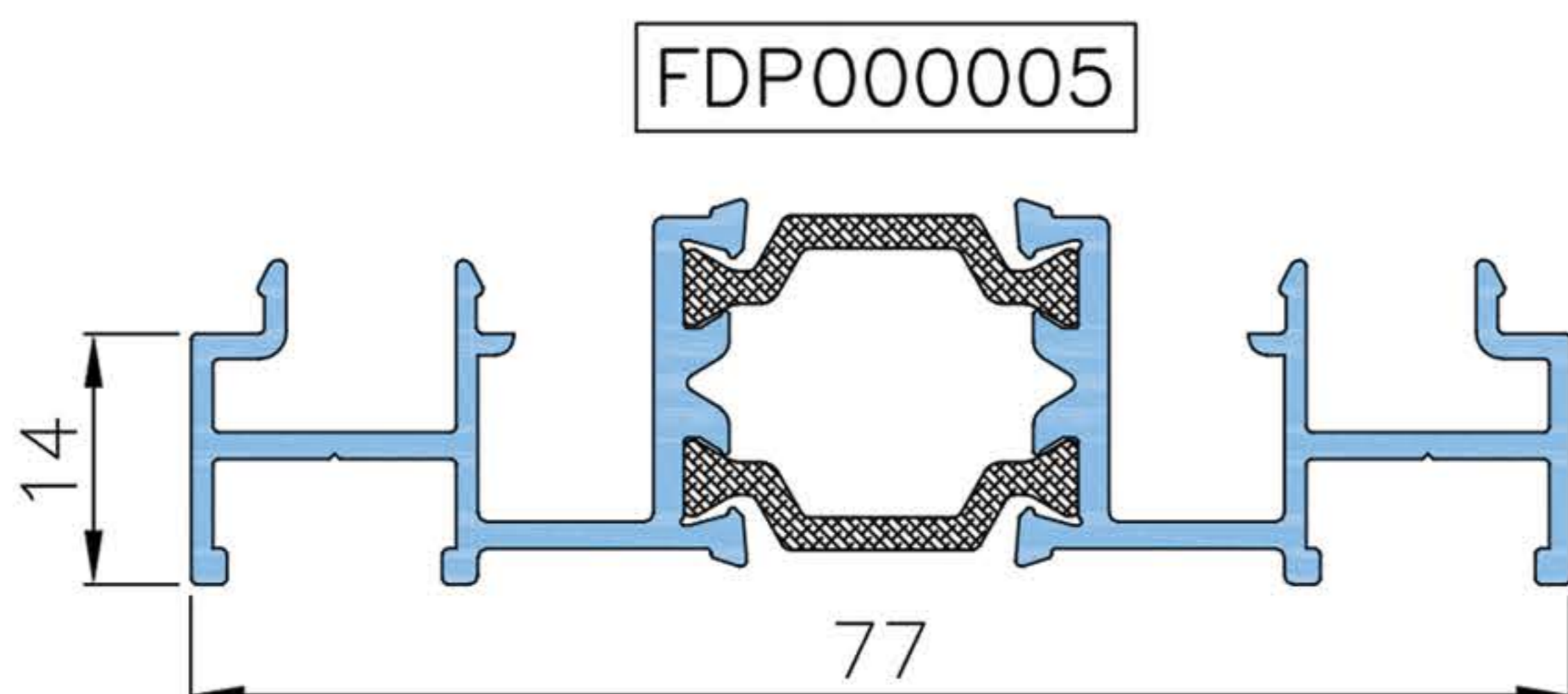
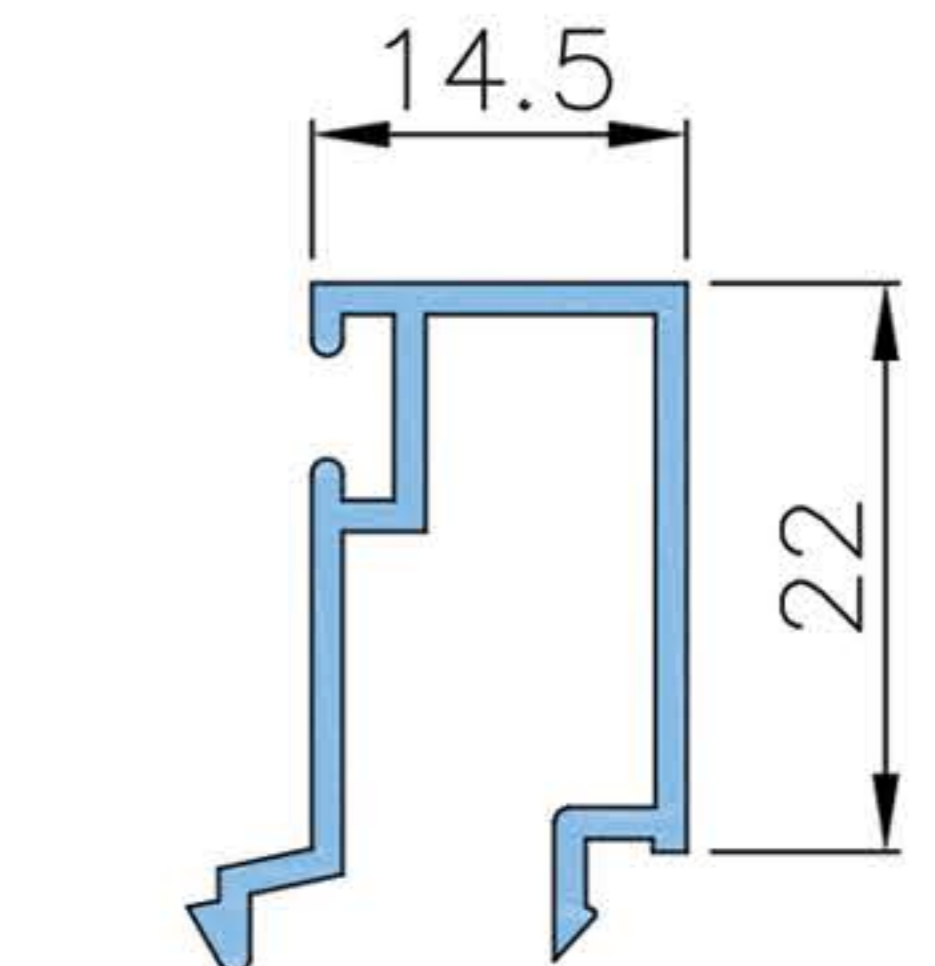
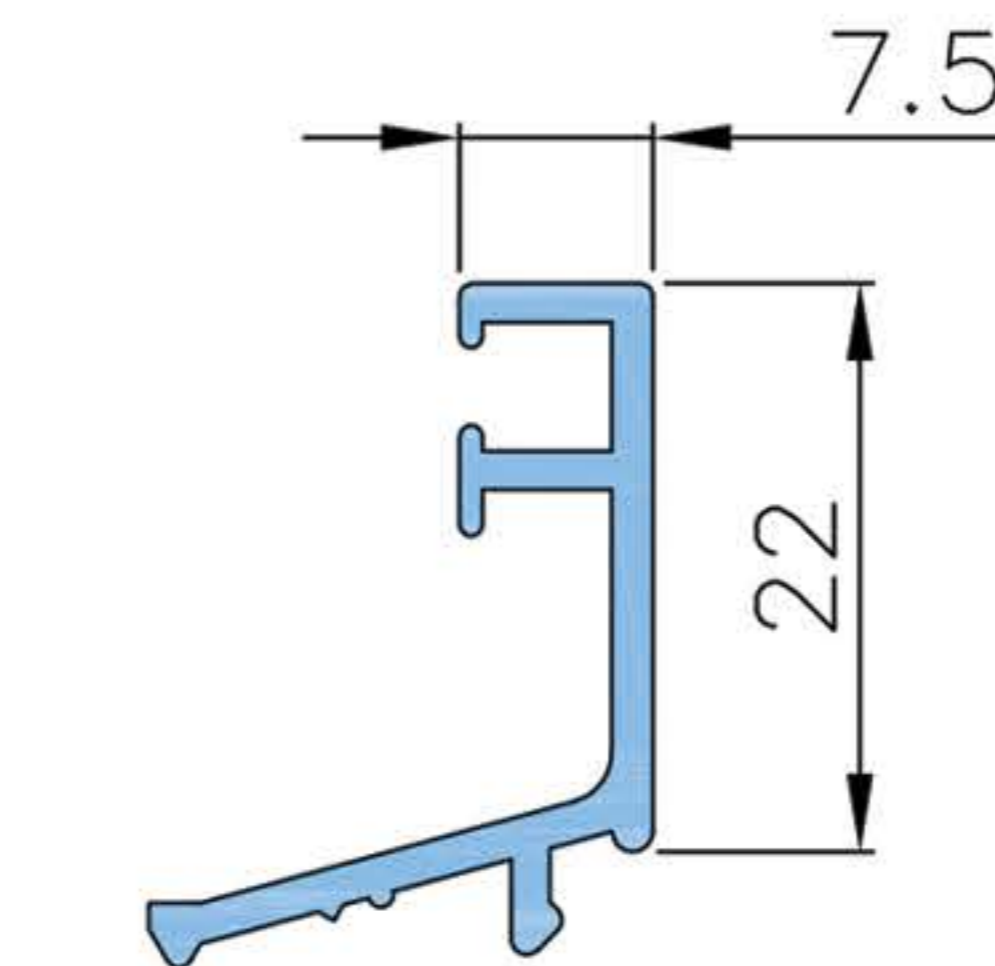
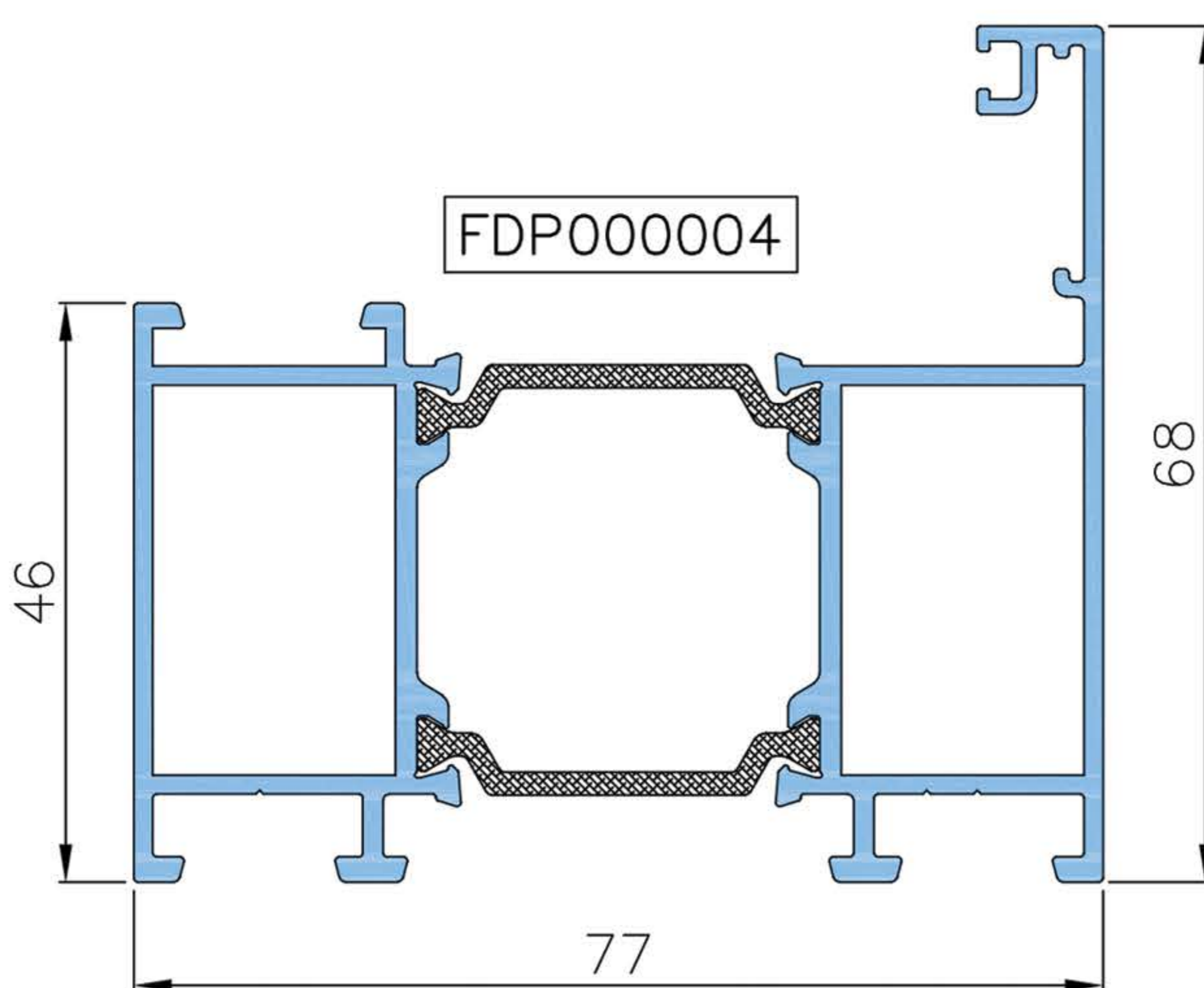
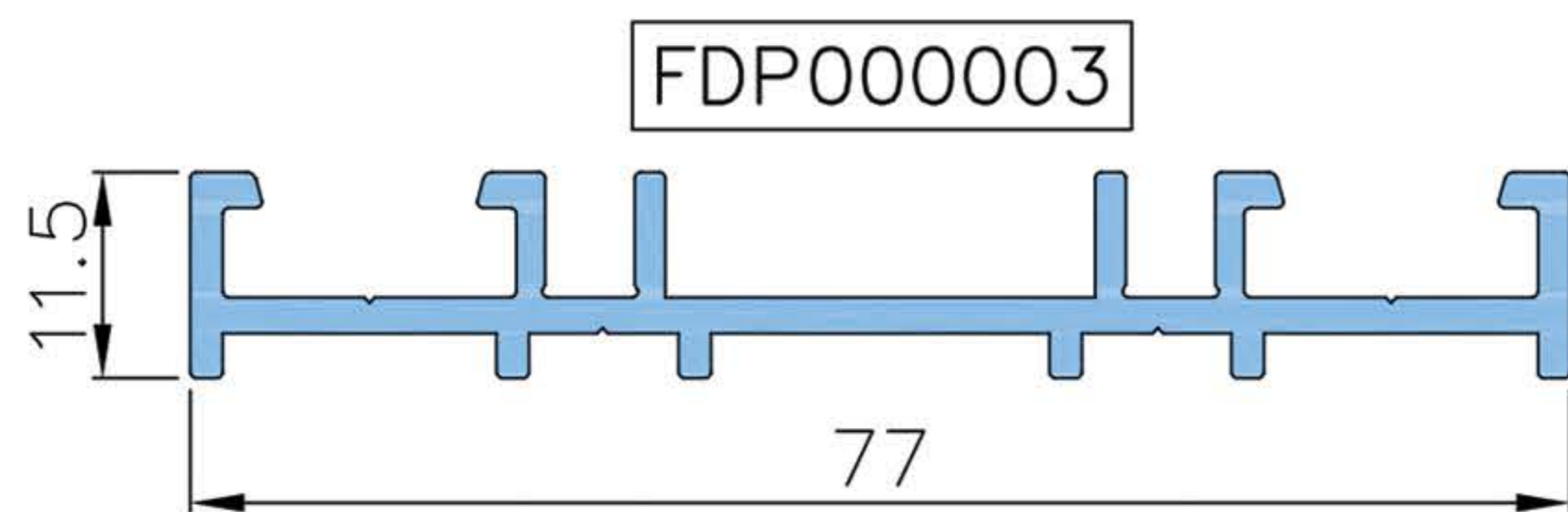
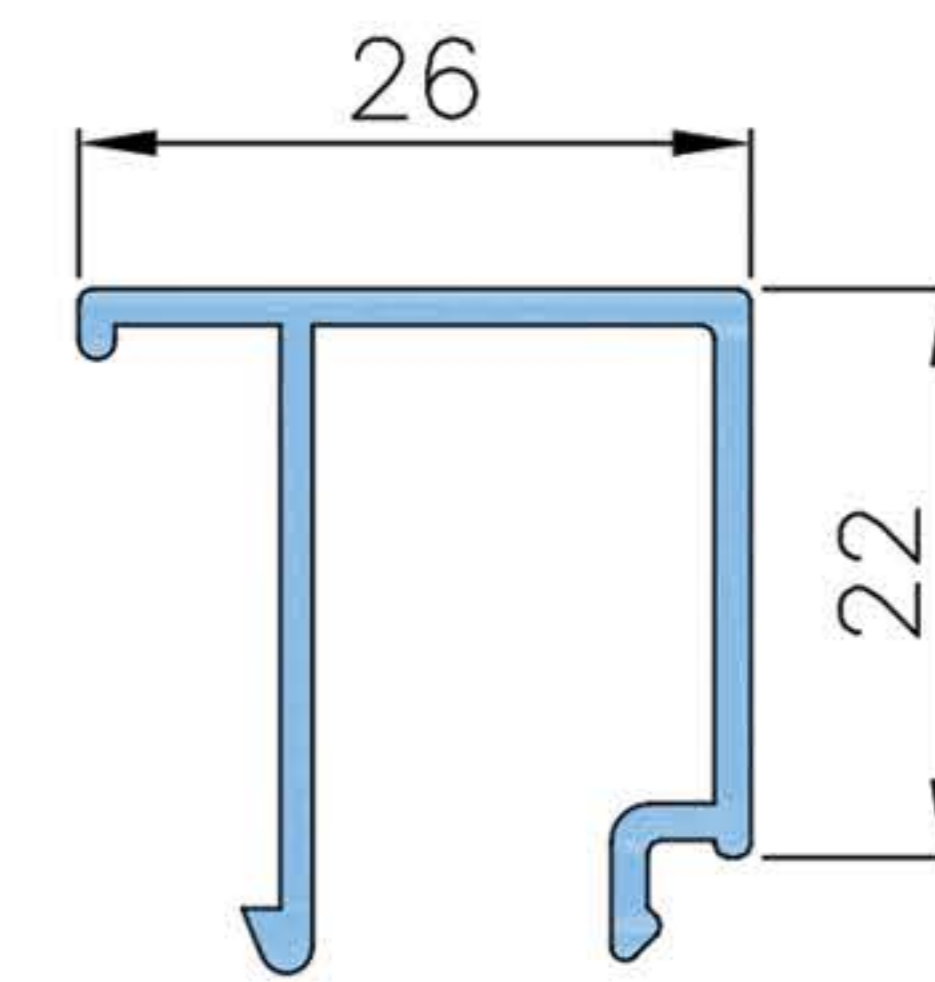
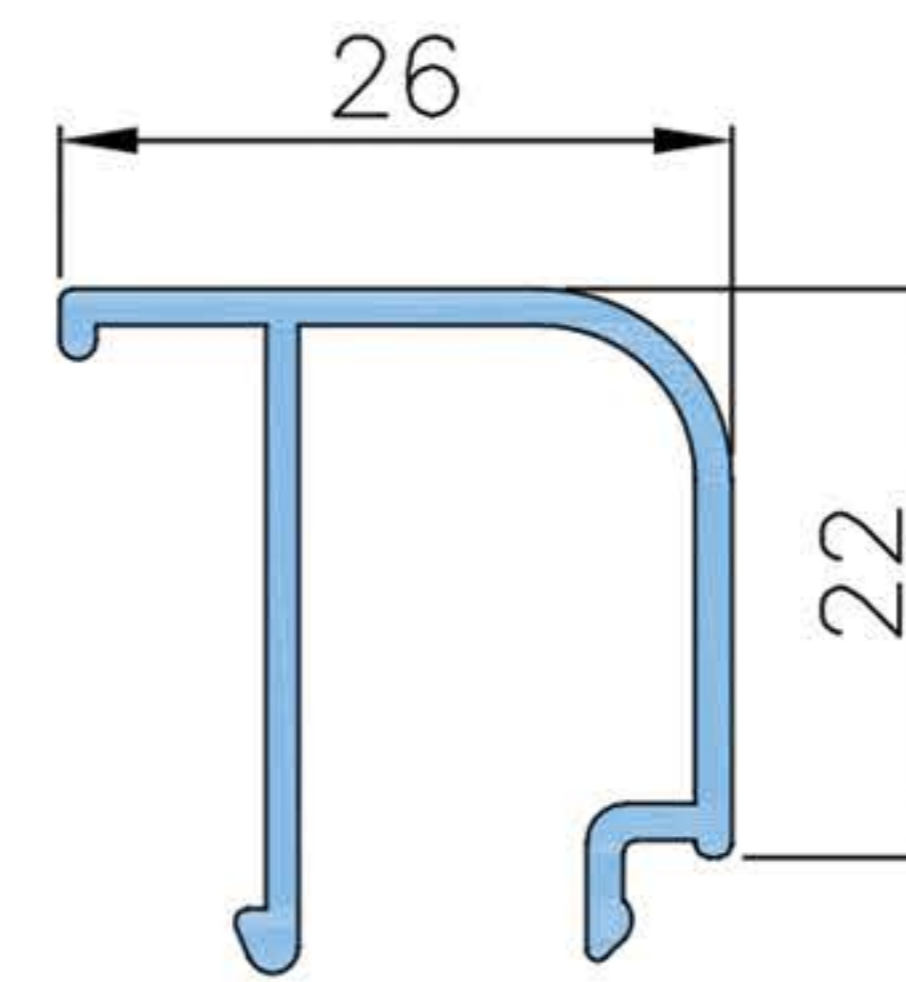
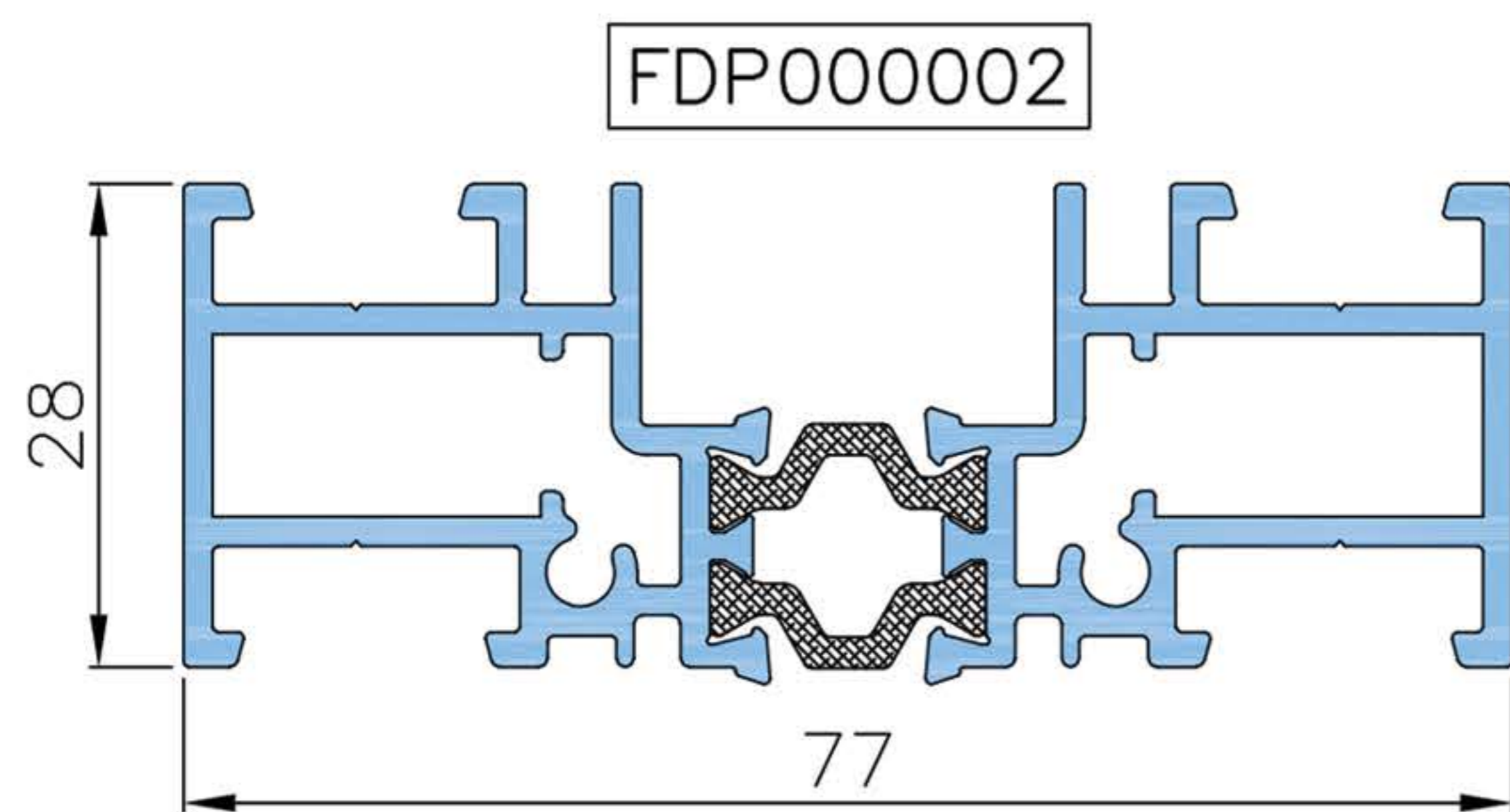
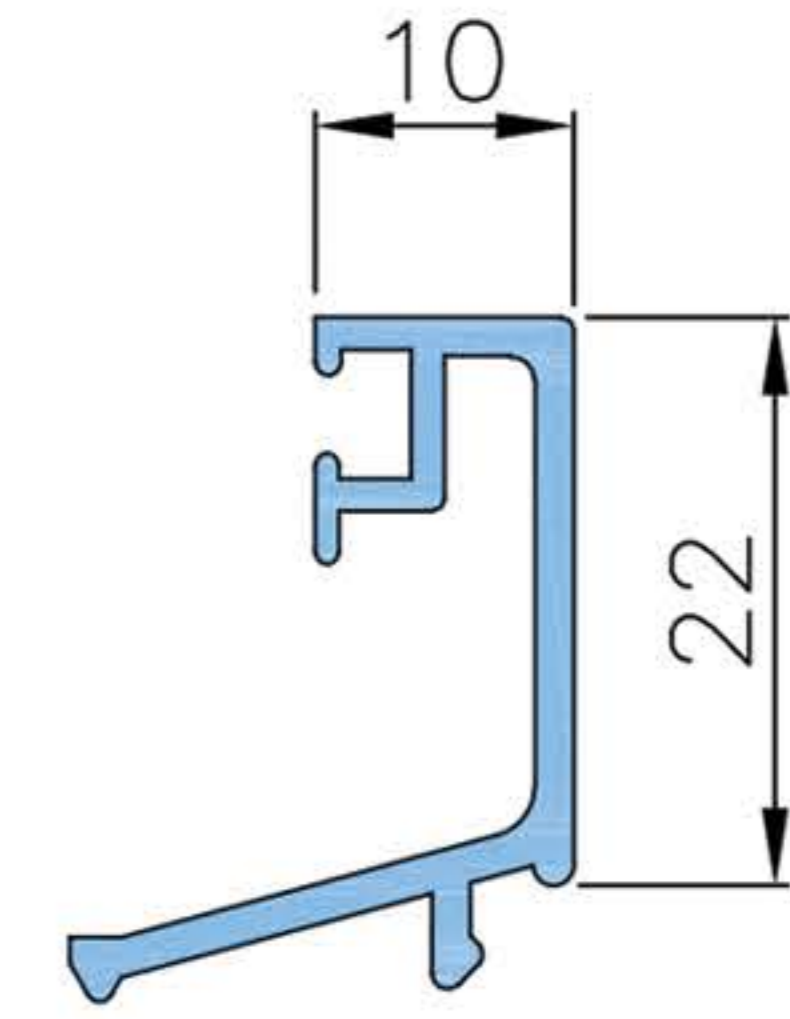
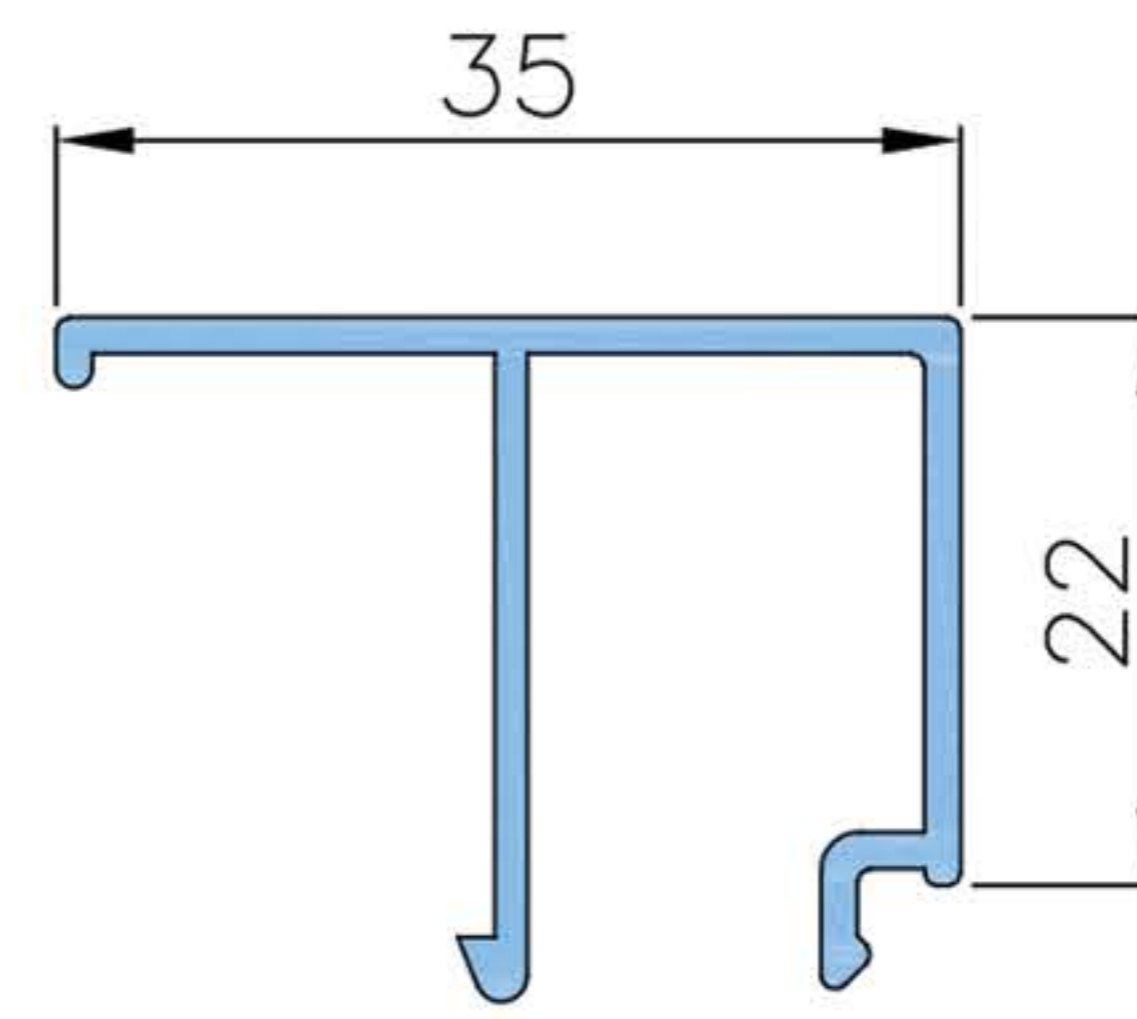
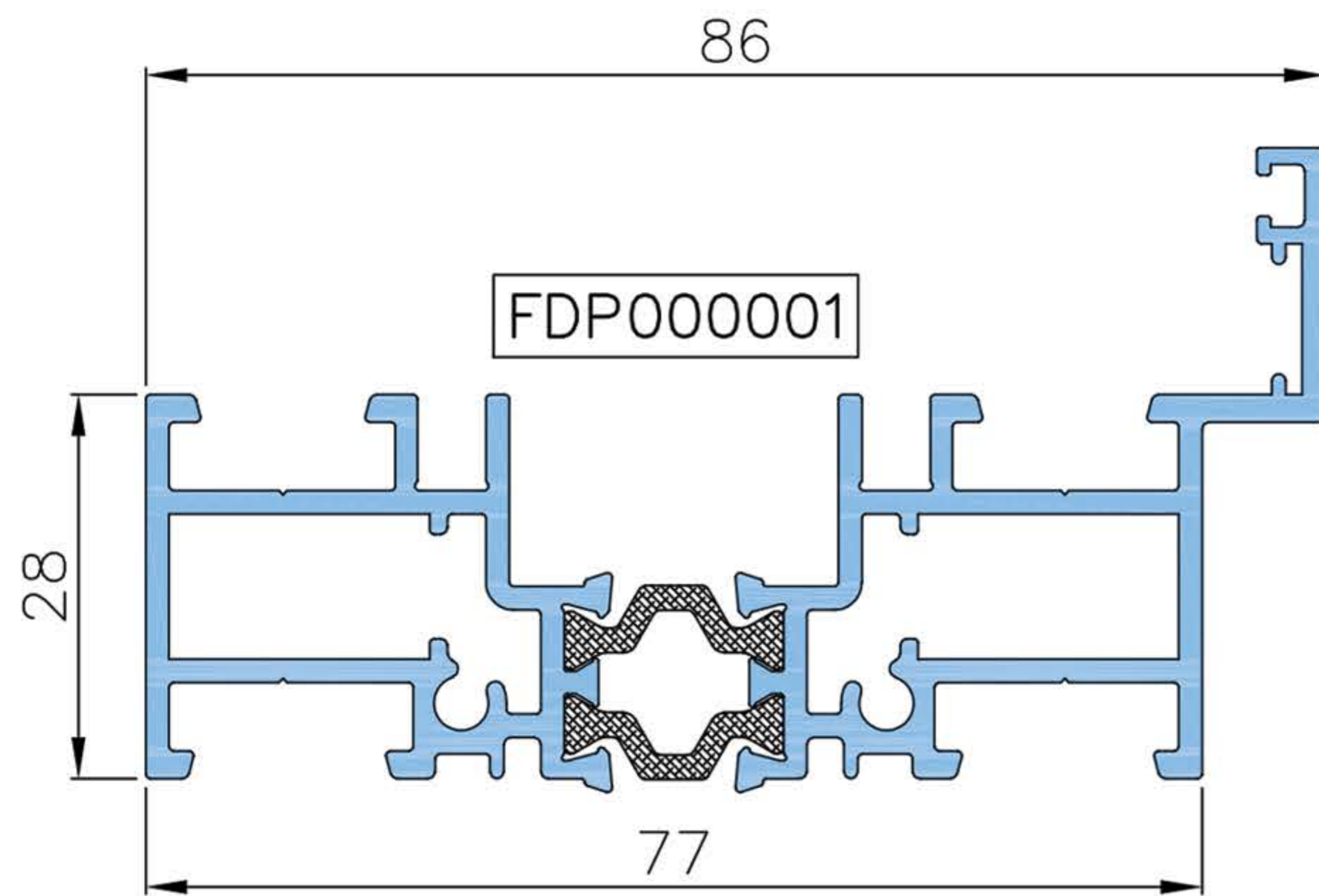
**DETAIL F\***

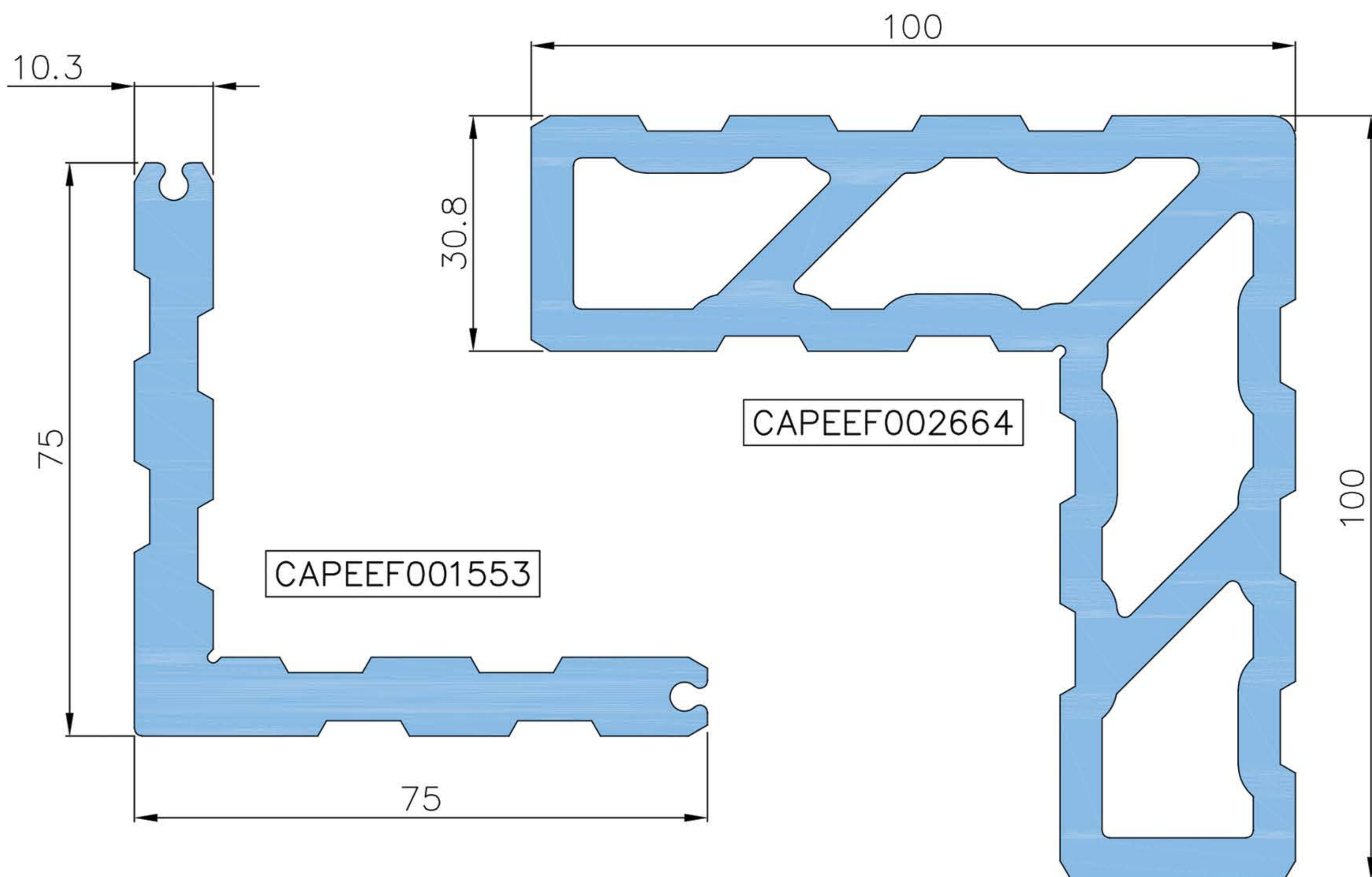
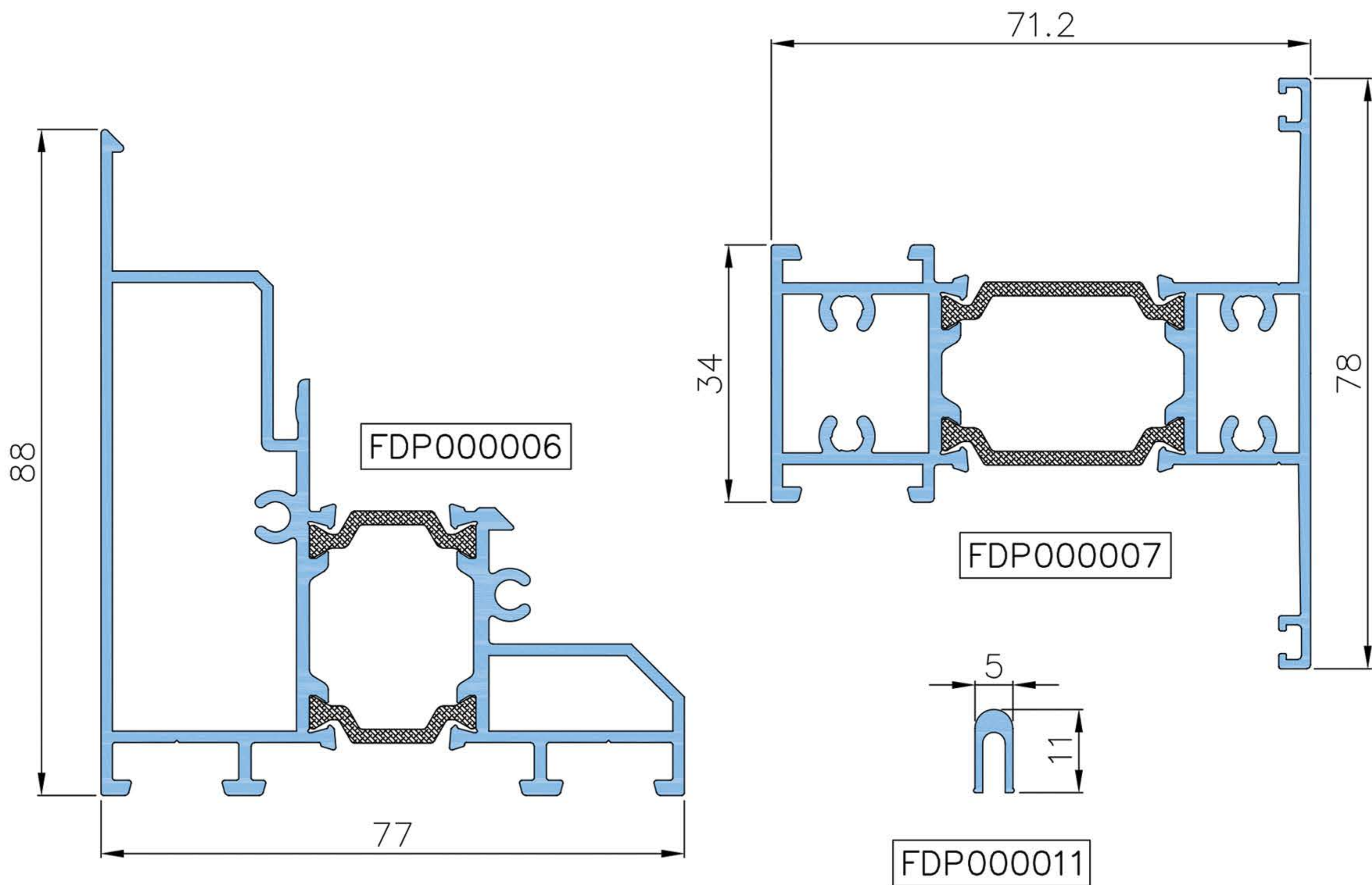
As Prospec Specialties' policy is one of continual progress for the improvement of the company's services to its customers, the company reserves the right to modify the specifications of its products without notice.



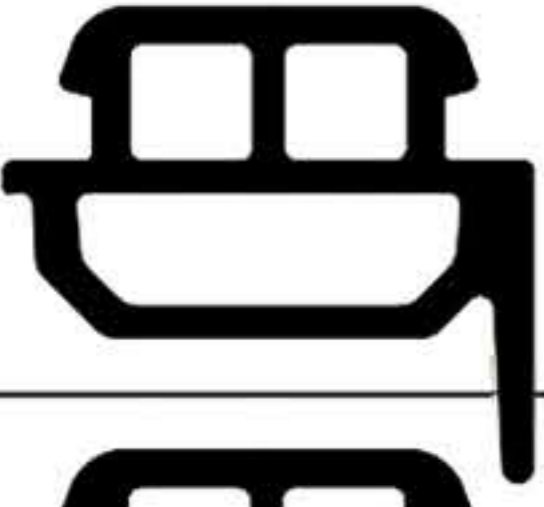























DETAIL F\*

As Prospec Specialties' policy is one of continual progress for the improvement of the company's services to its customers, the company reserves the right to modify the specifications of its products without notice.





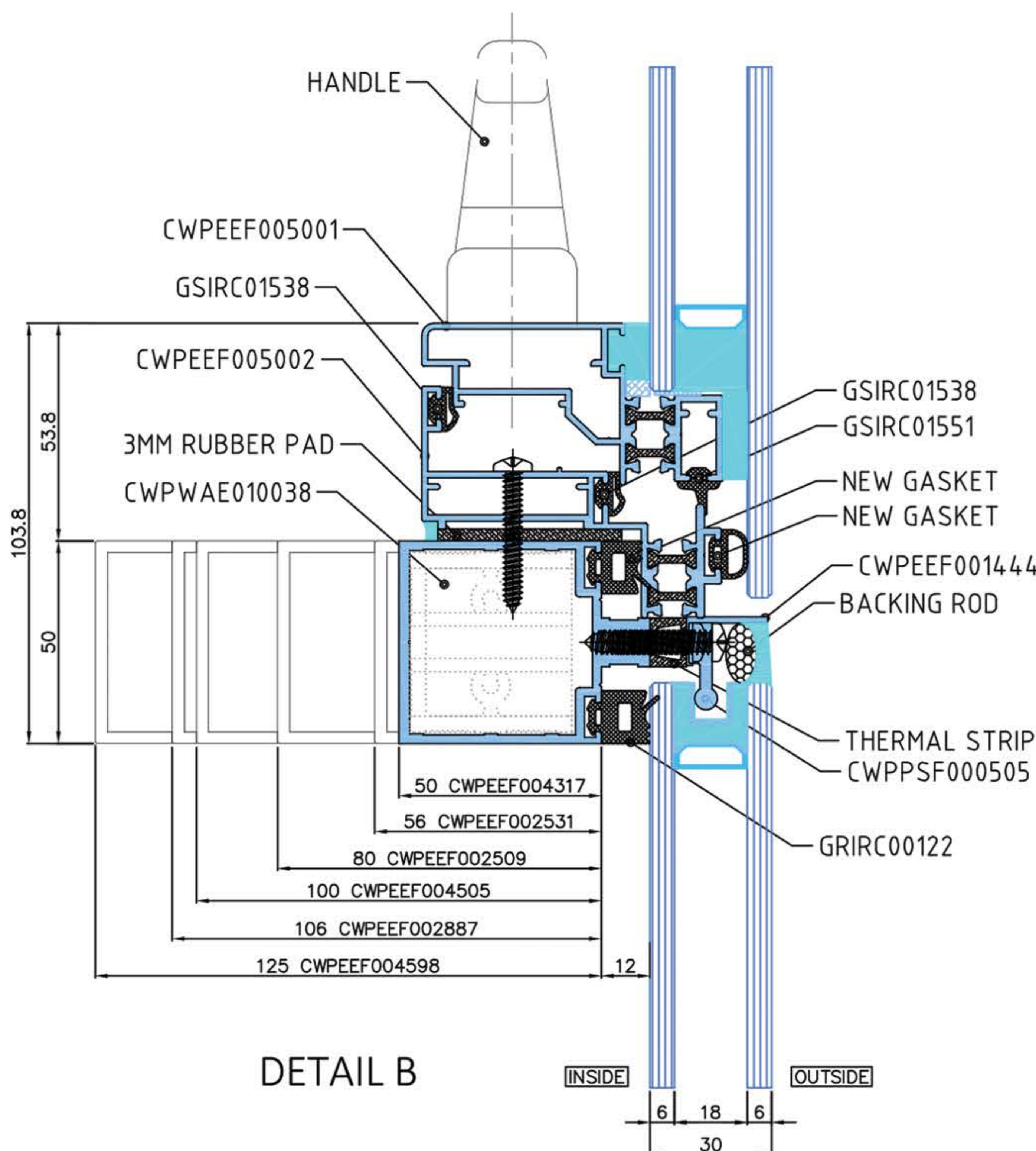
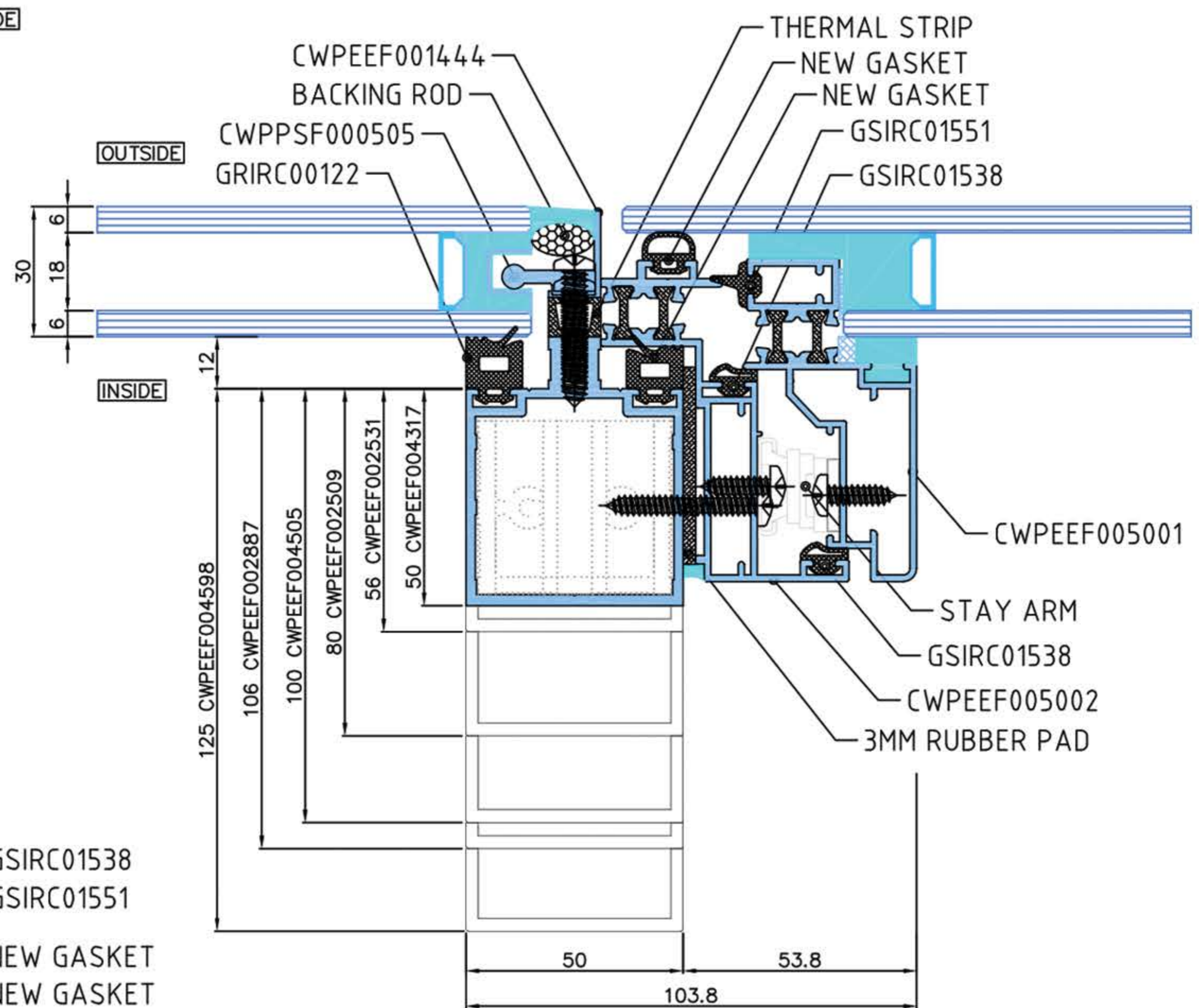
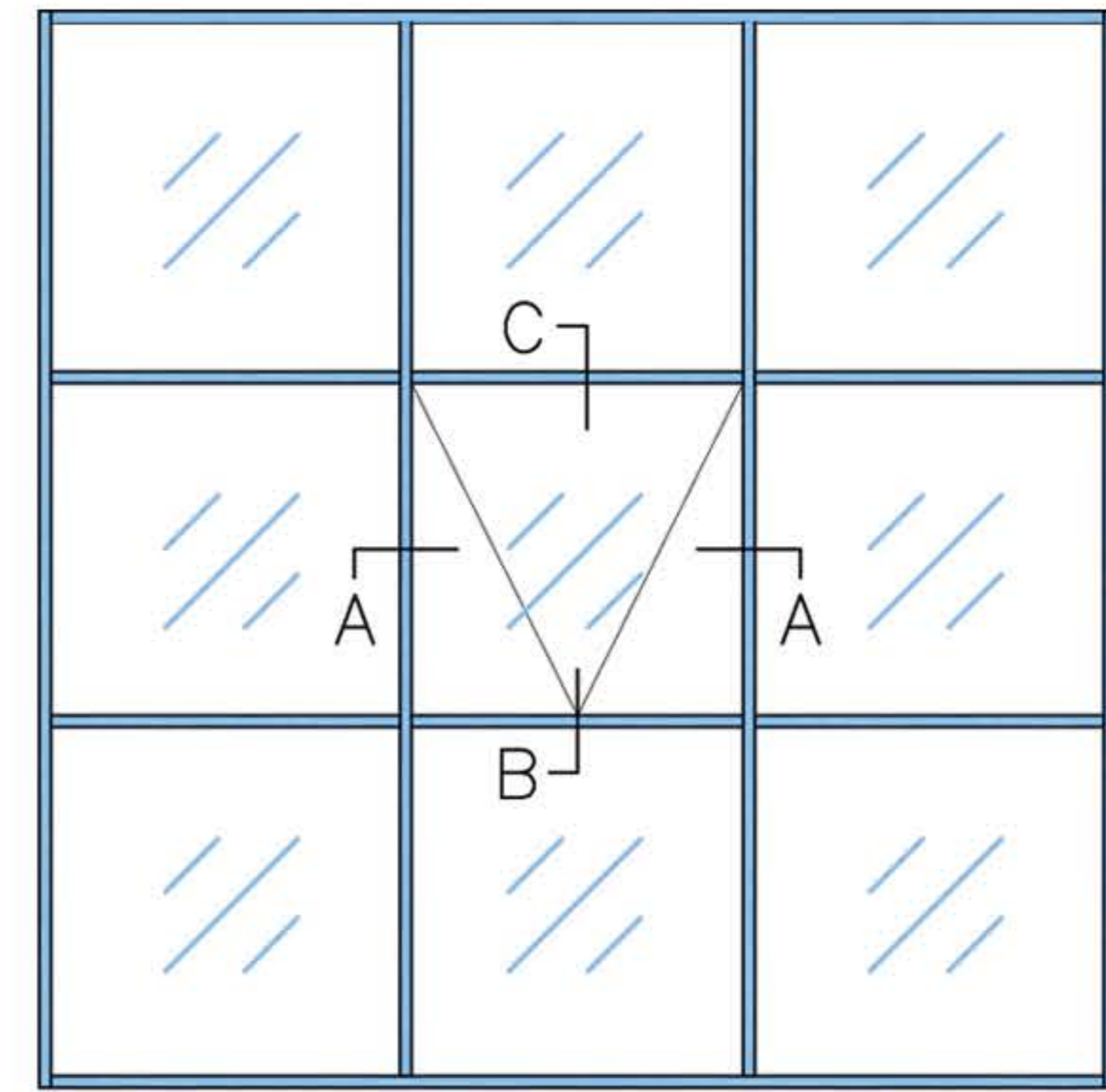
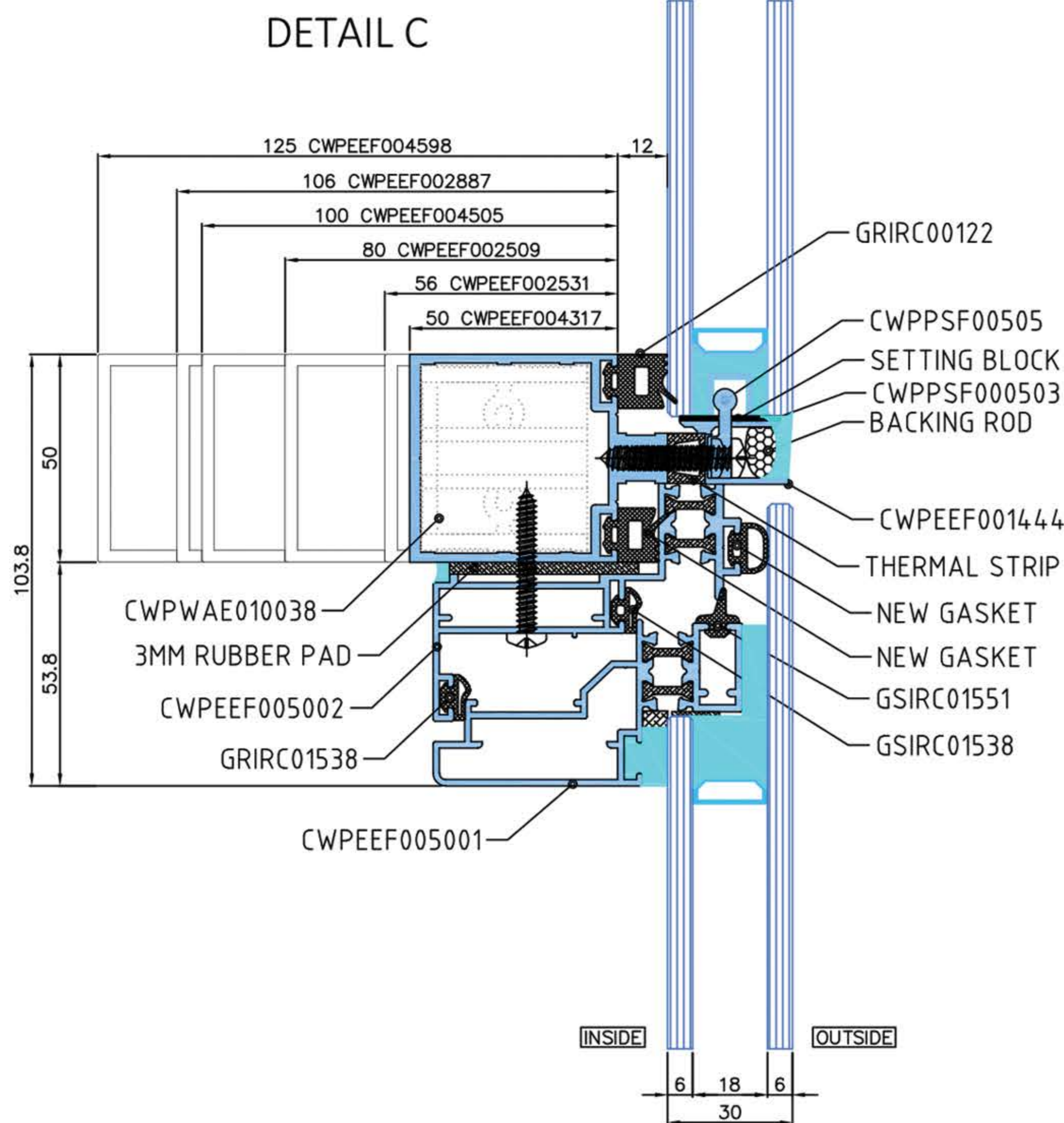


SHAPE	CODE	DESCRIPTION	SHAPE	CODE	DESCRIPTION
	GRIRC00000	MAIN GASKET			UPPER ROLLER
	GRIRC00000	MAIN GASKET			LOWER ROLLER
	GRIRC00000	FRAME INNER GASKET			DOUBLE HANDLE
	GRIRC02216	SASH INNER GASKET			REDUCE HANDLE
	GRIRC02215	SASH OUTER GASKET			LOWER ROLLER FOR EVEN SASH
		PLUG GASKET FOR CORNER			UPPER ROLLER FOR EVEN SASH
		CYLINDER COVER			LOCKING ROD KIT
		ADAPTER			TWO WAY MOVEMENT
		THICKNESS FOR SASH STOPPER AND DOOR BUMPER (DOUBLE HANDLE)			UNIVERSAL ADDITIONAL LOCKING POINT
		THICKNESS FOR SASH STOPPER AND DOOR BUMPER (DOUBLE HANDLE)			MULTI-POINT LOCKING TWO WAY MOVEMENT INTERNAL RODS
		SASH STOPPER (REDUCE HANDLE)			COUNTER PLATE
		SASH STOPPER (DOUBLE HANDLE)			PULL HANDLE (INTERNAL OPENING)
		RAIL			PULLING HINGED (EXTERNAL OPENING)
		90MM CYLINDER			HINGED WITH INSERTING PLATE (INTERNAL OPENING)

# CURTAIN WALL - TB

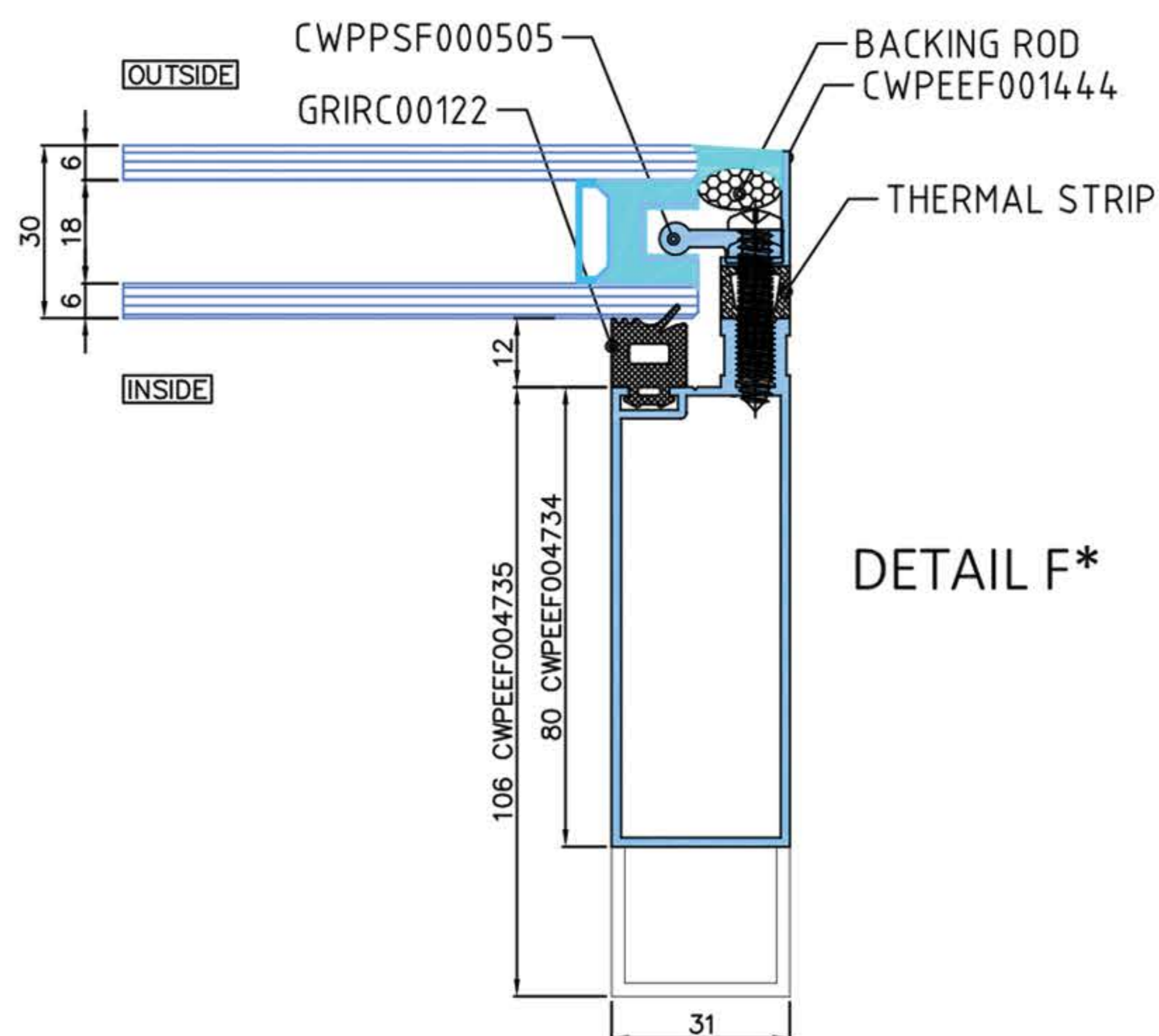
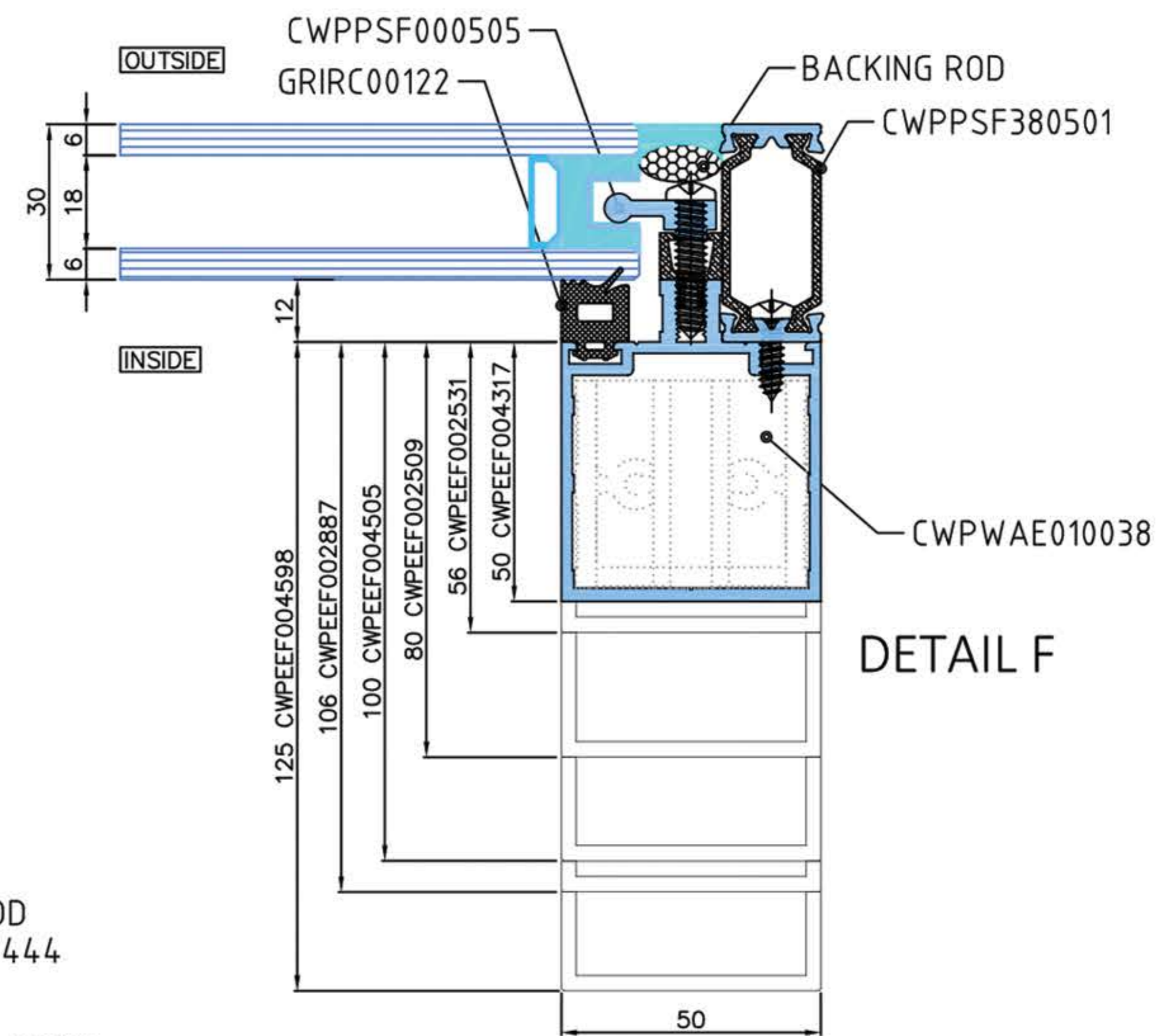
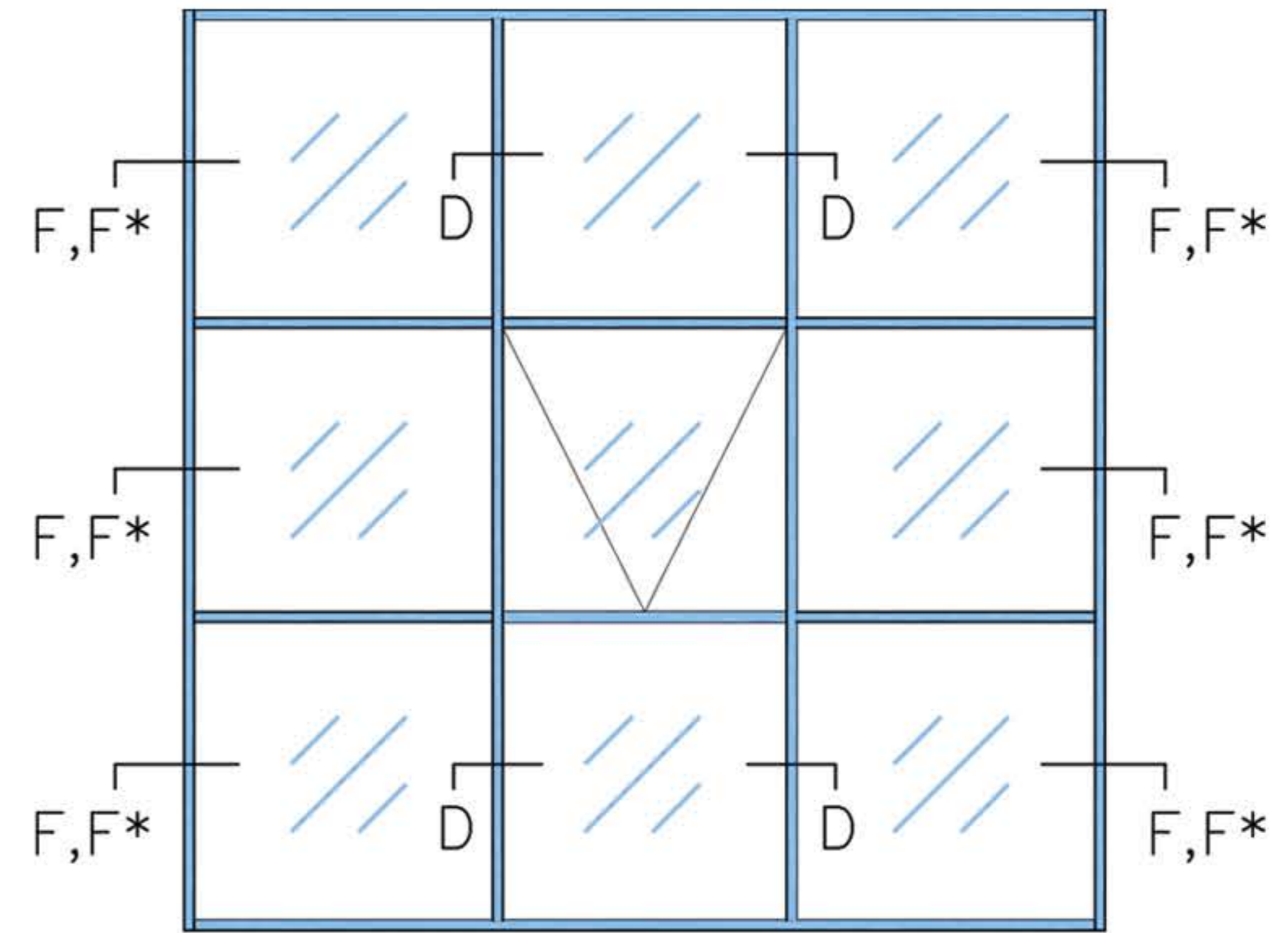
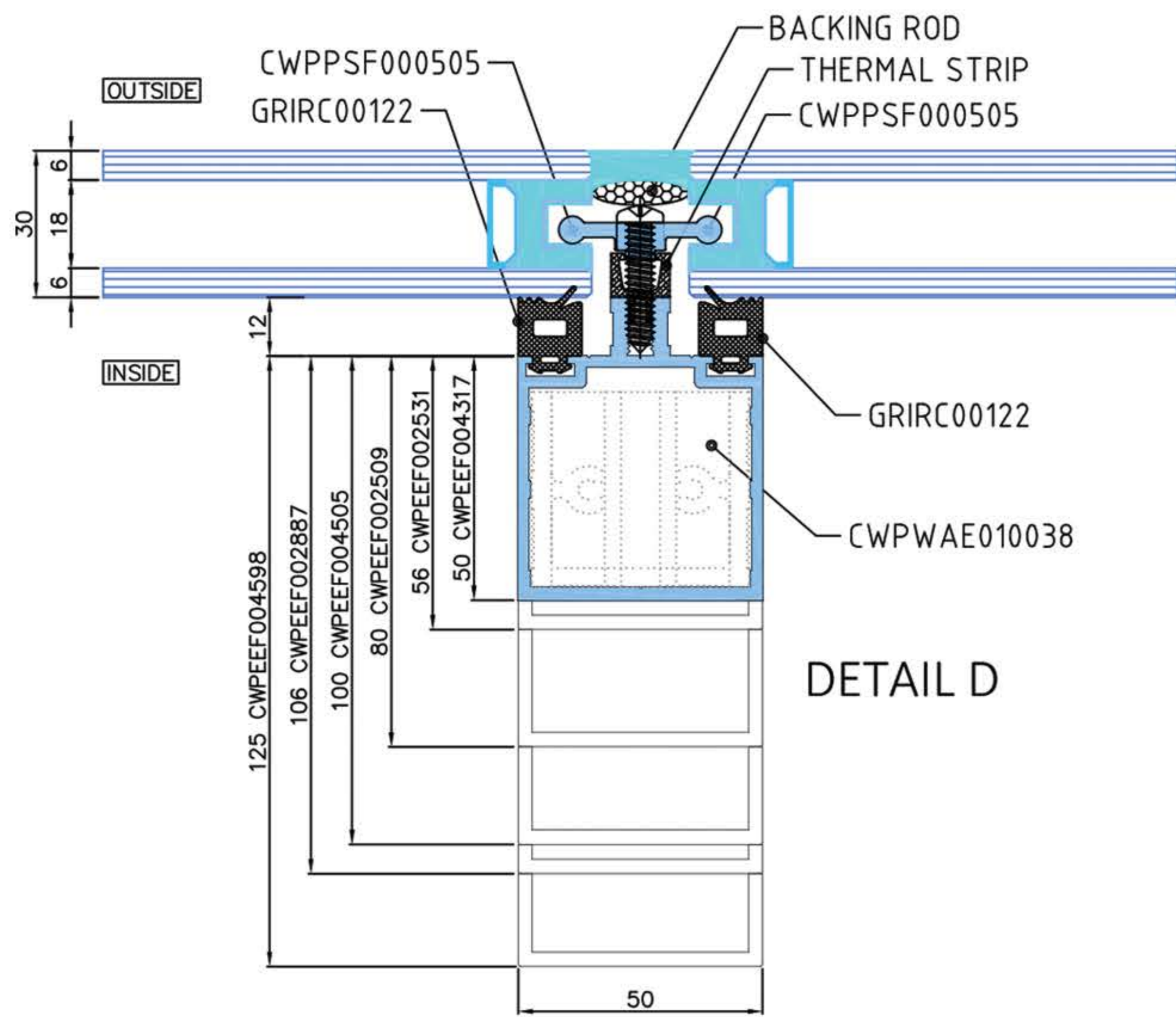
50MM CURTAIN WALL THERMAL BREAK



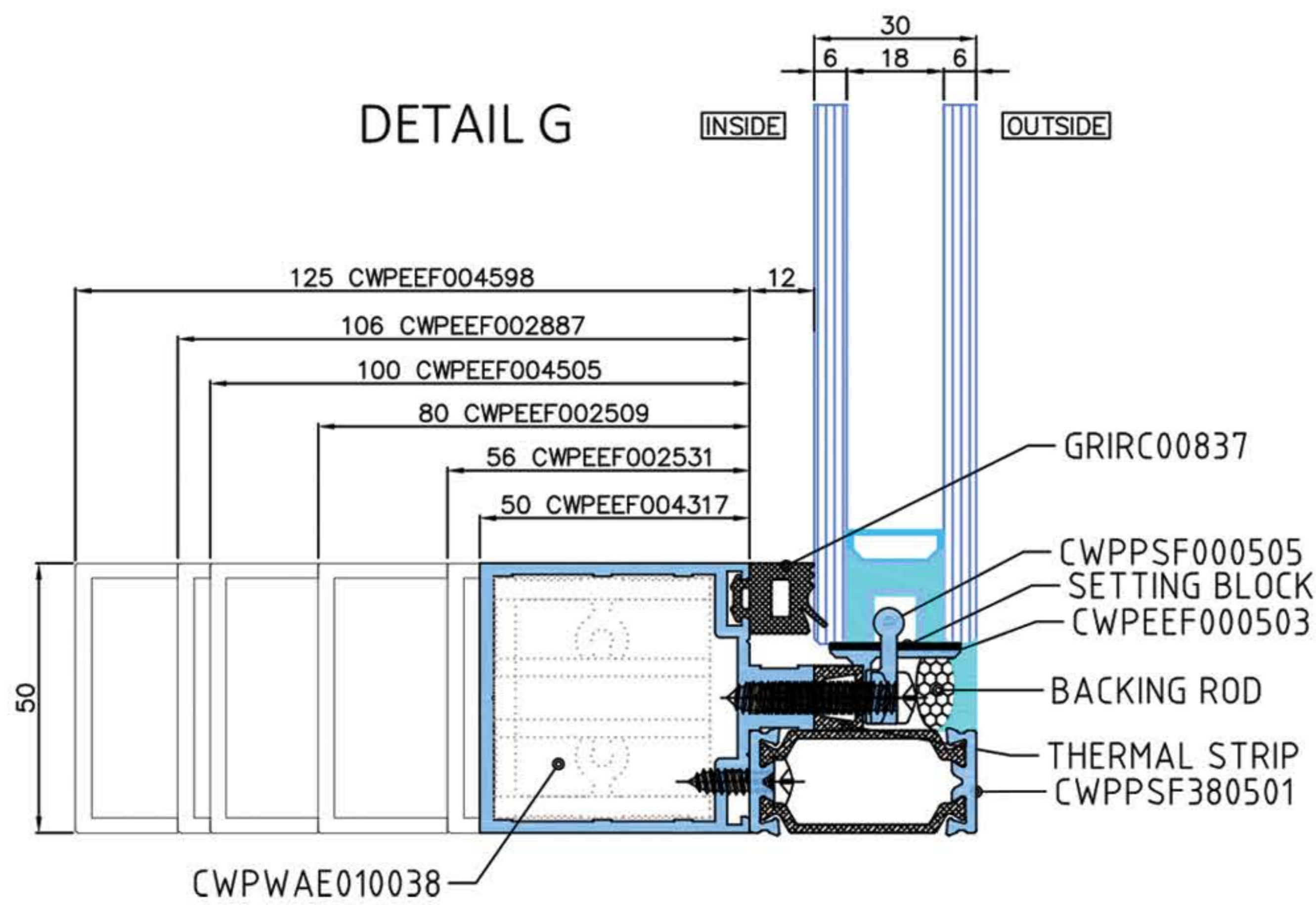
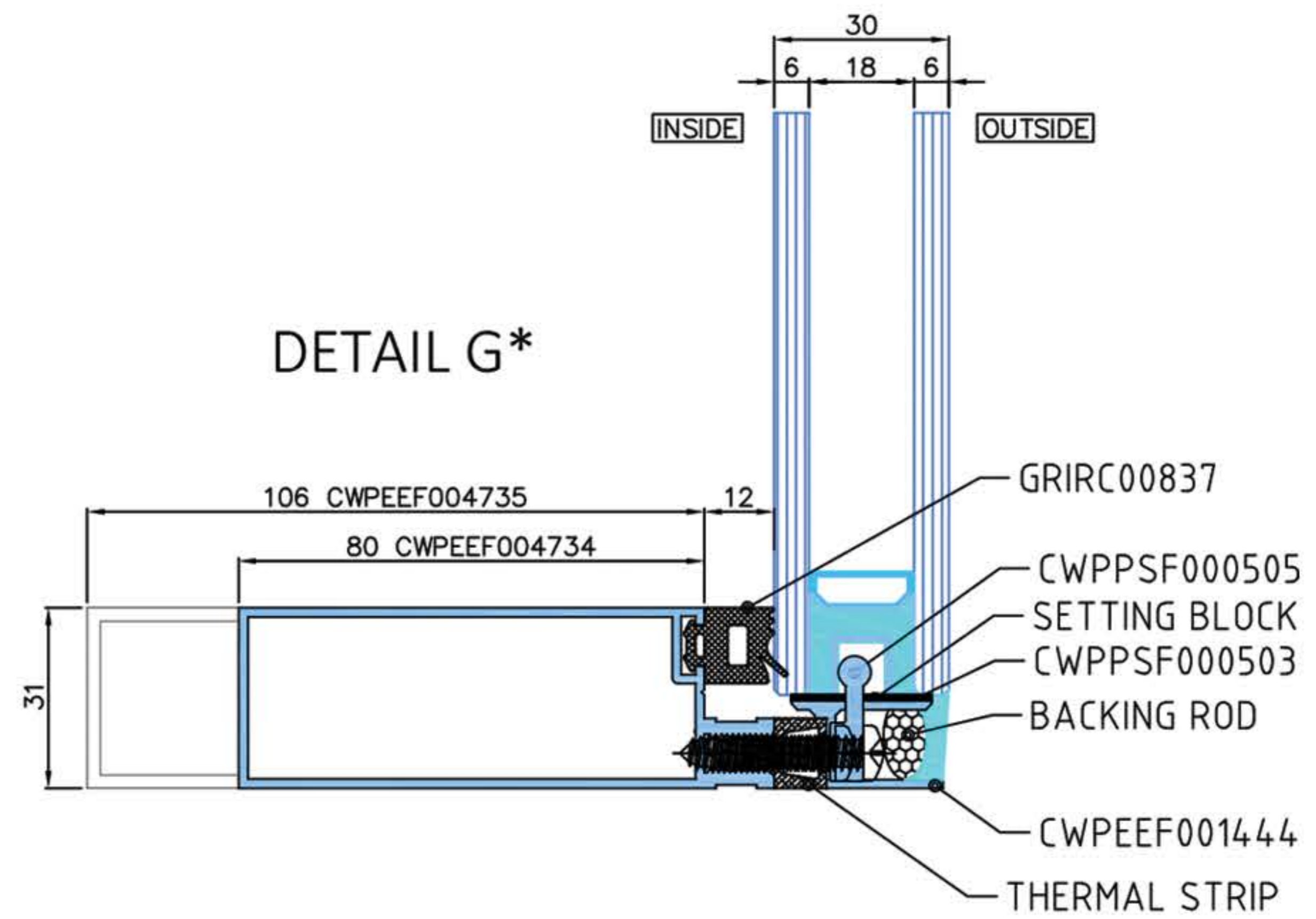
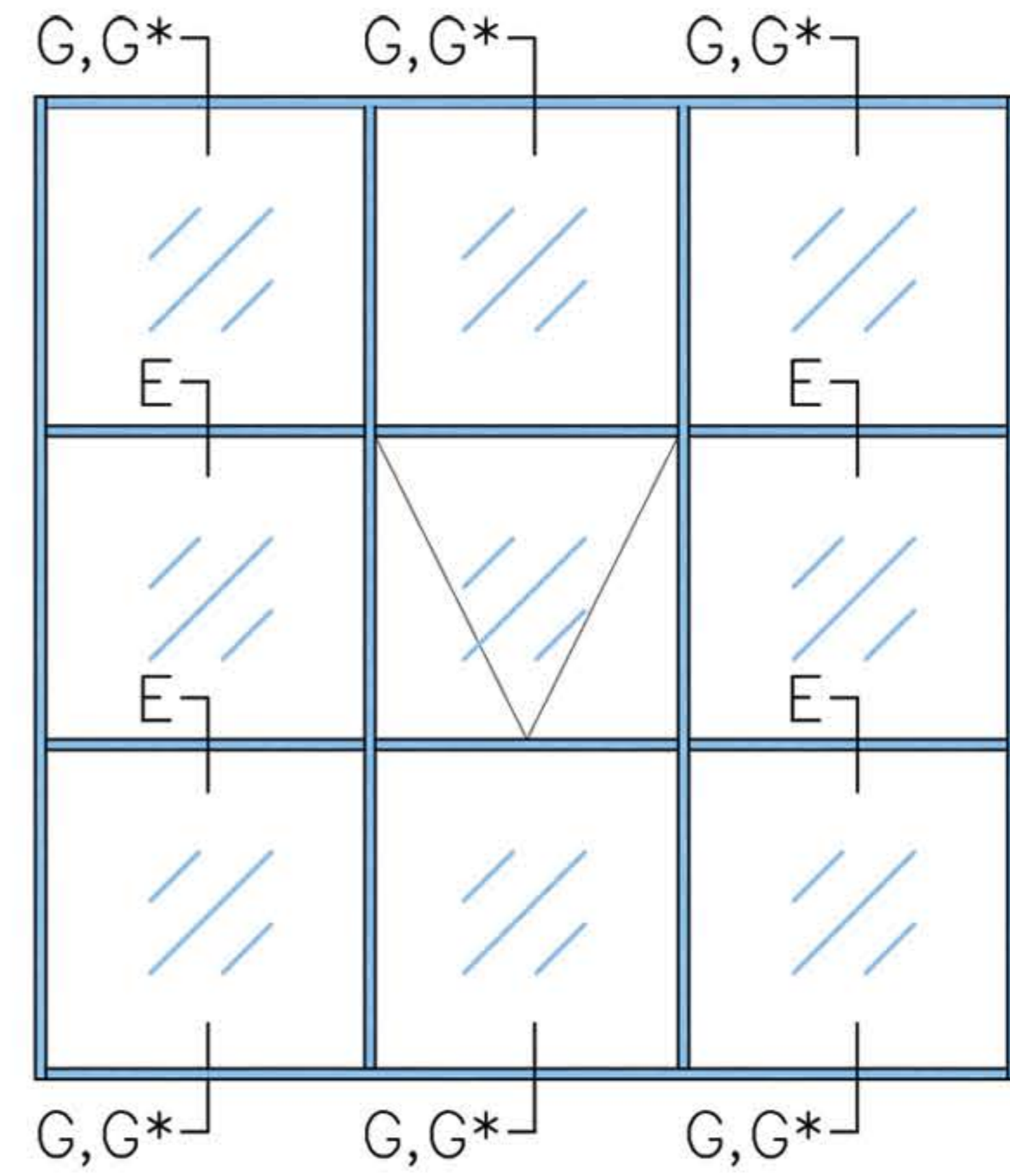
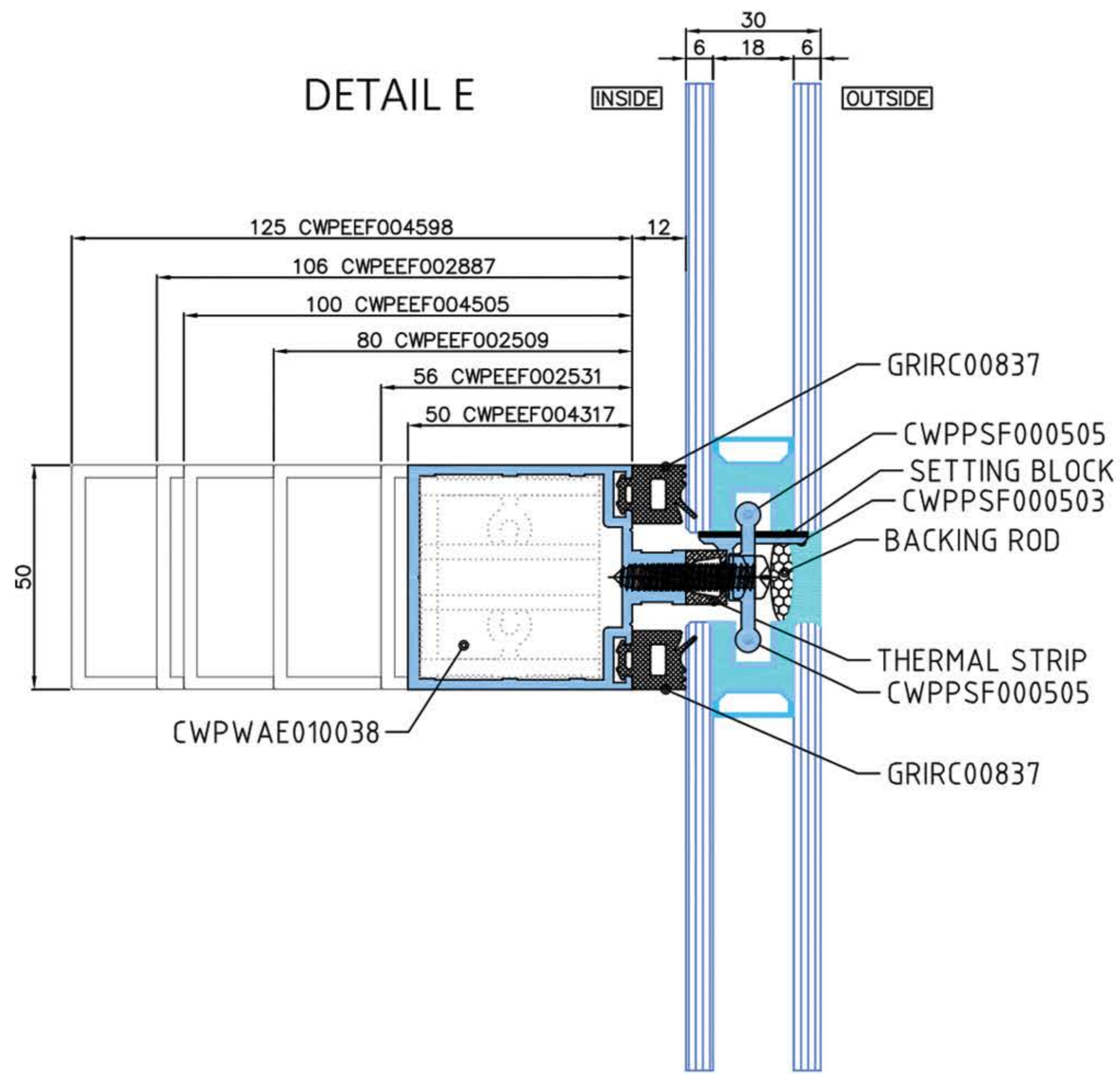


**DETAIL A**

CURTAIN WALL - TB



CURTAIN WALL - TB

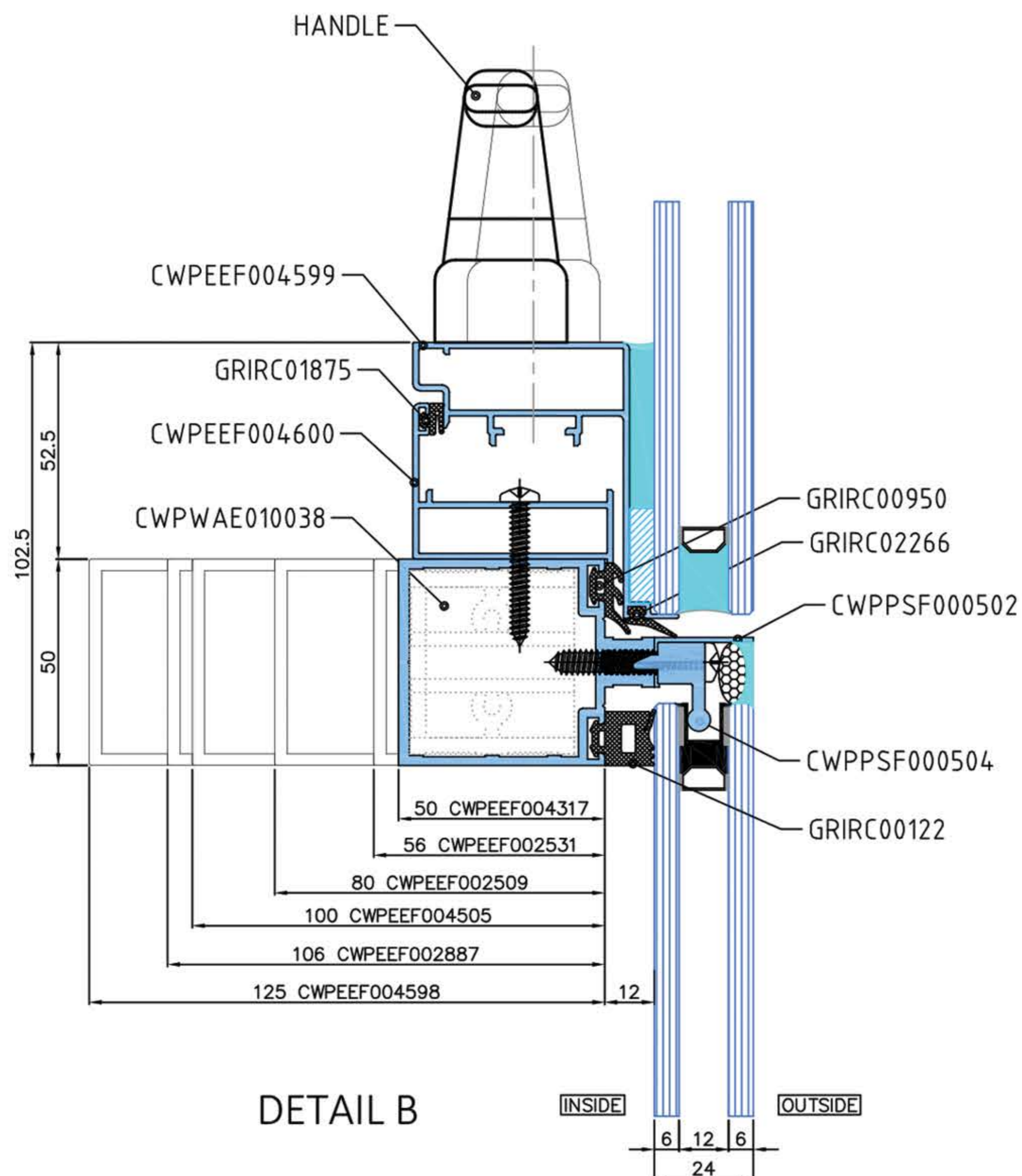
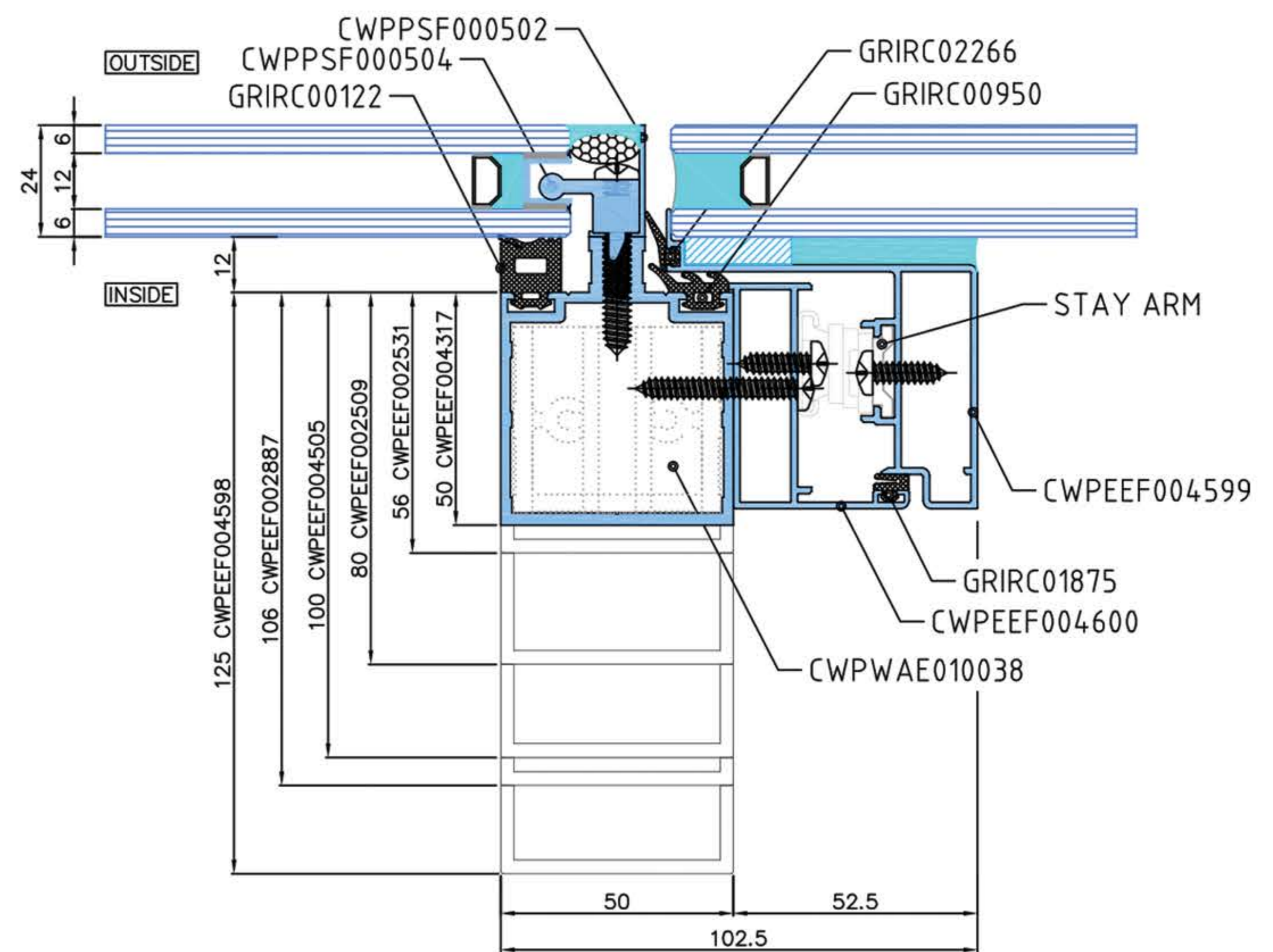
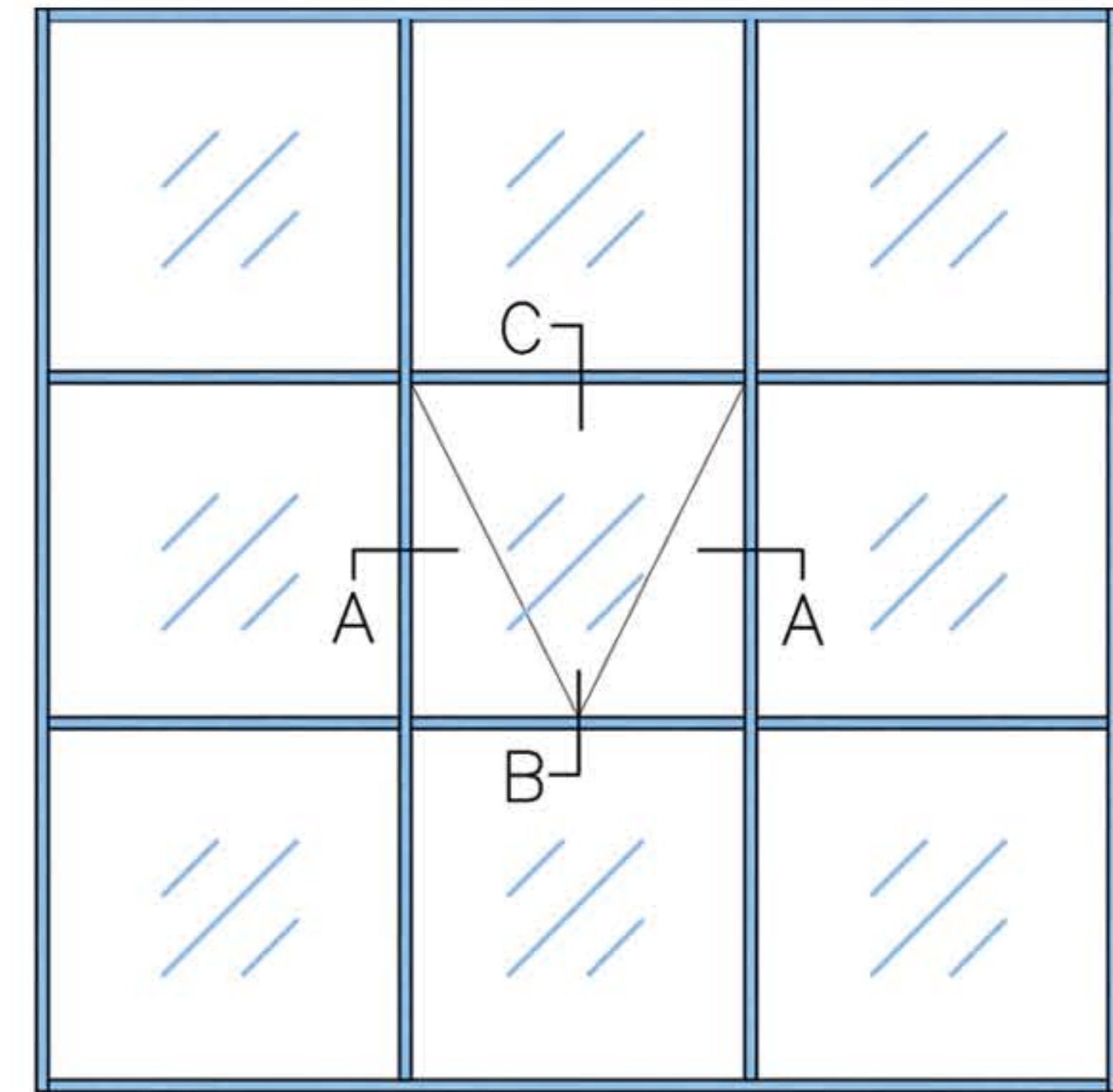
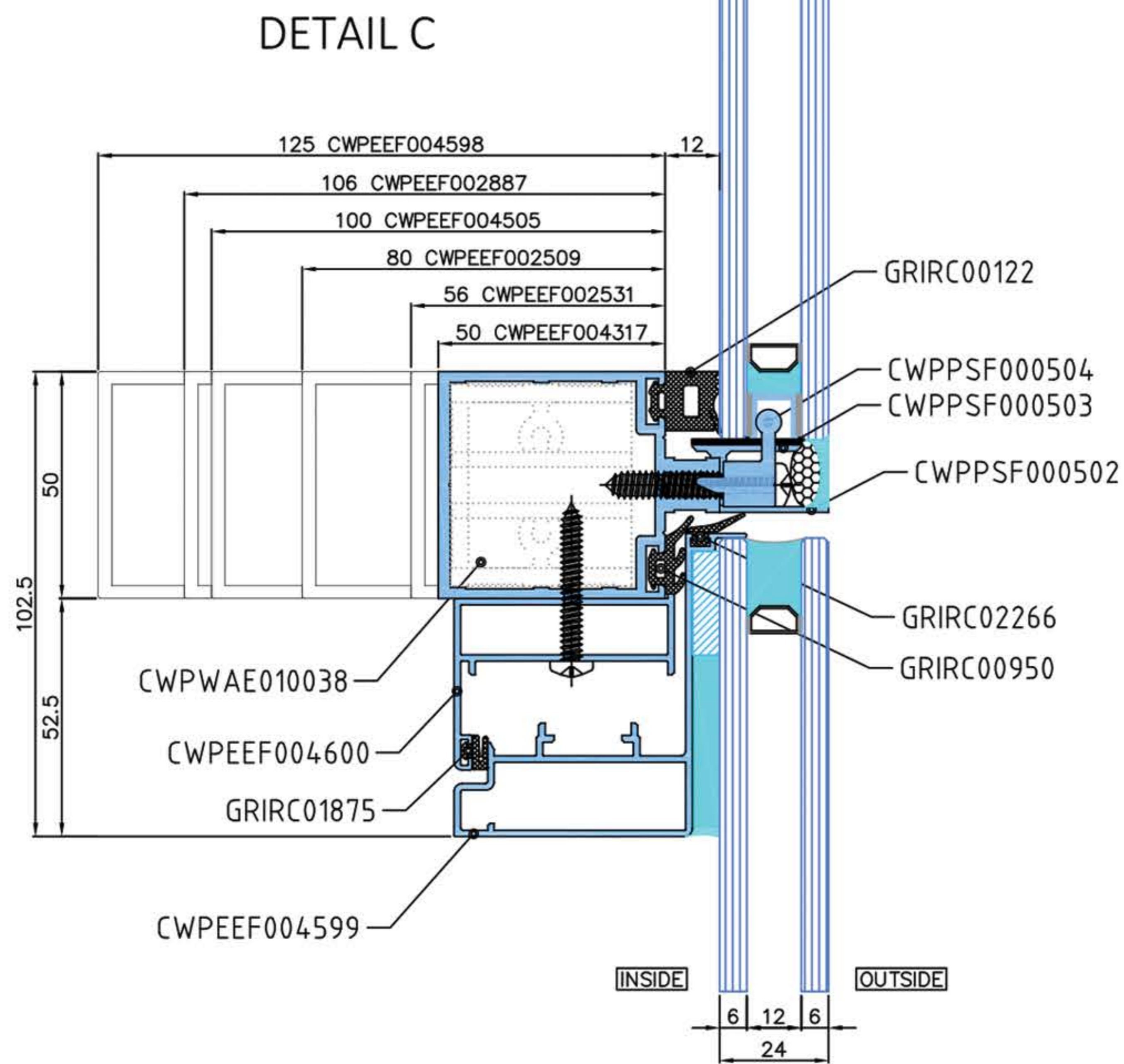


# CURTAIN WALL - BA

50MM CURTAIN WALL NON-THERMAL BREAK

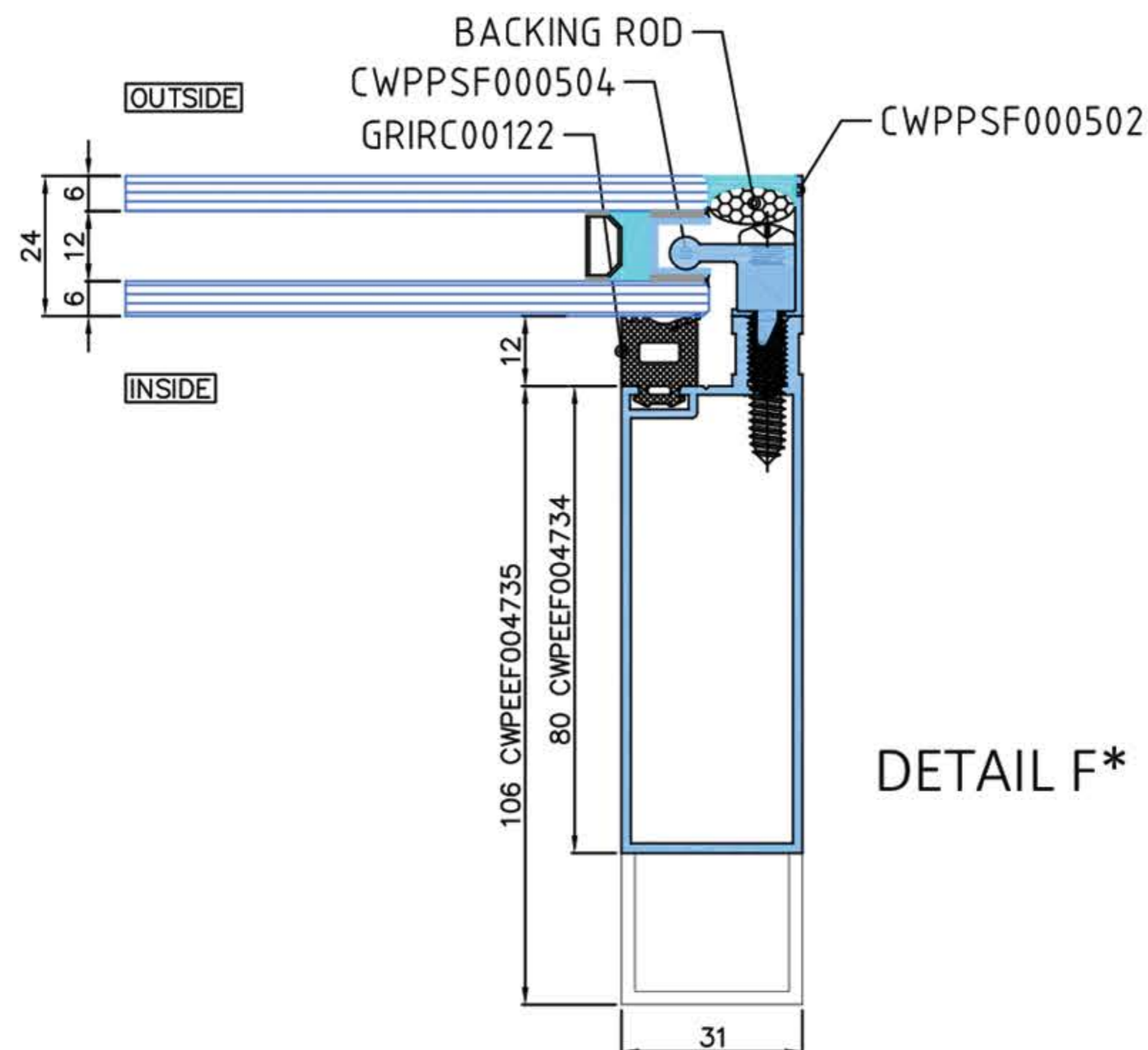
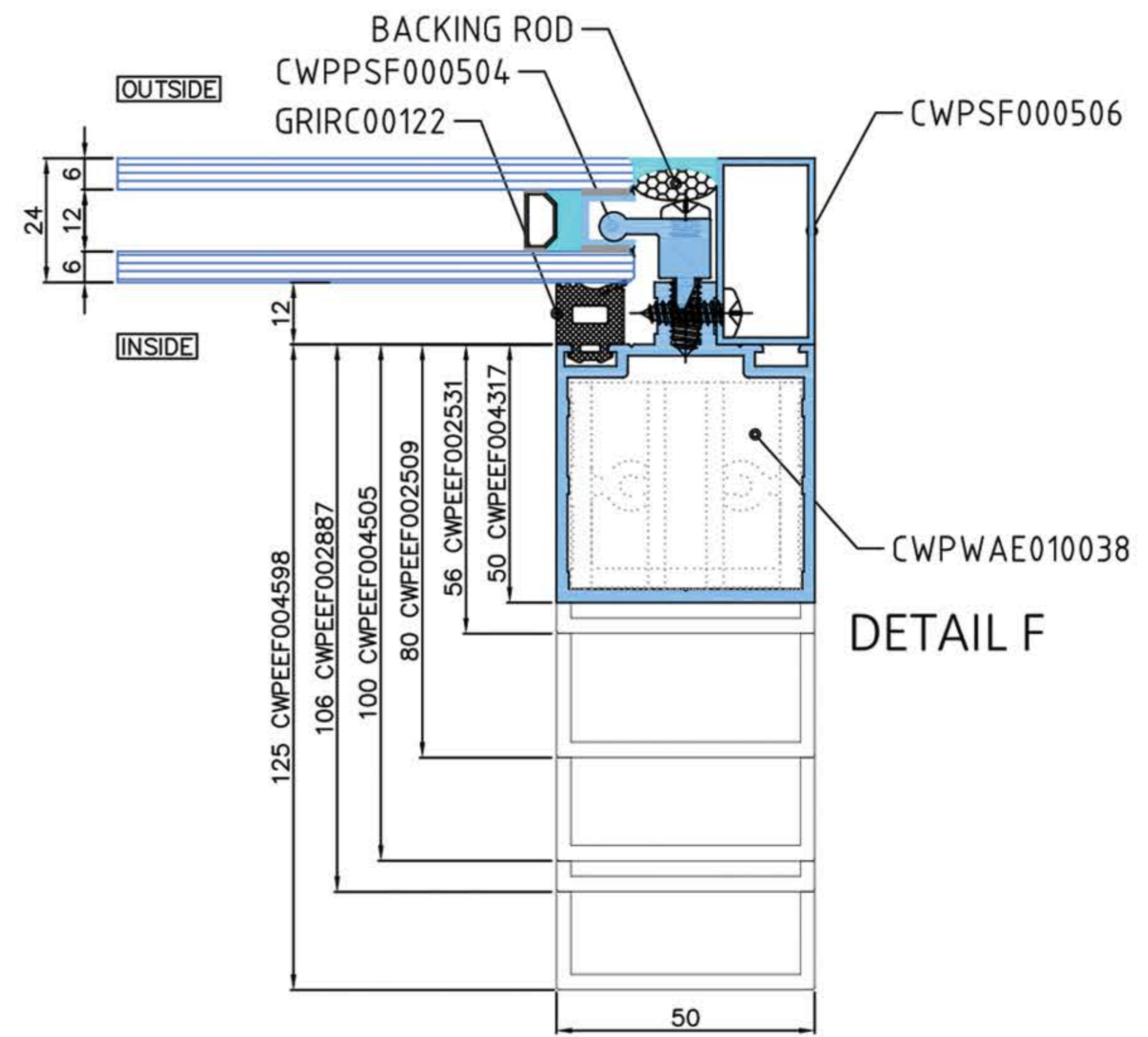
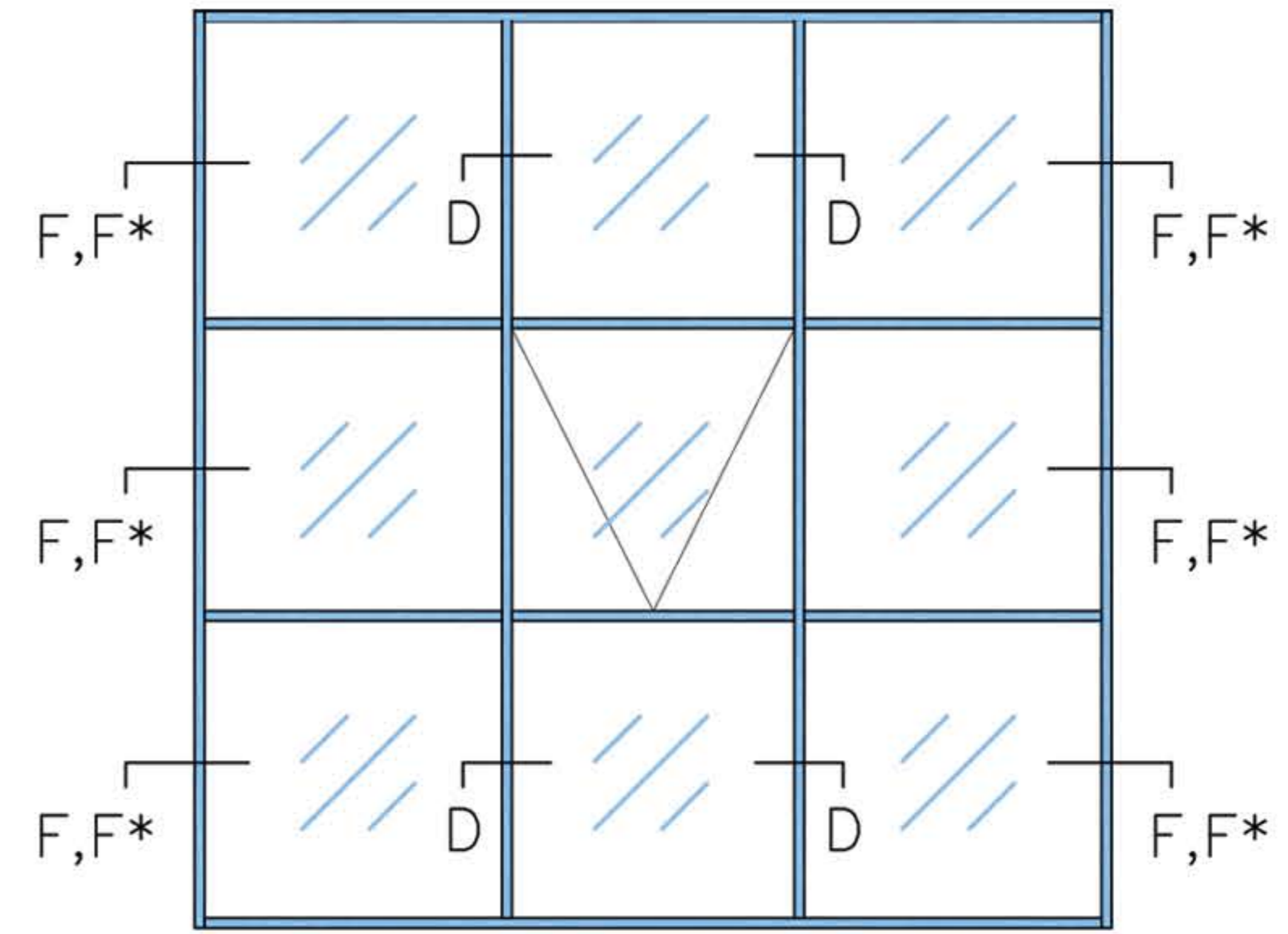
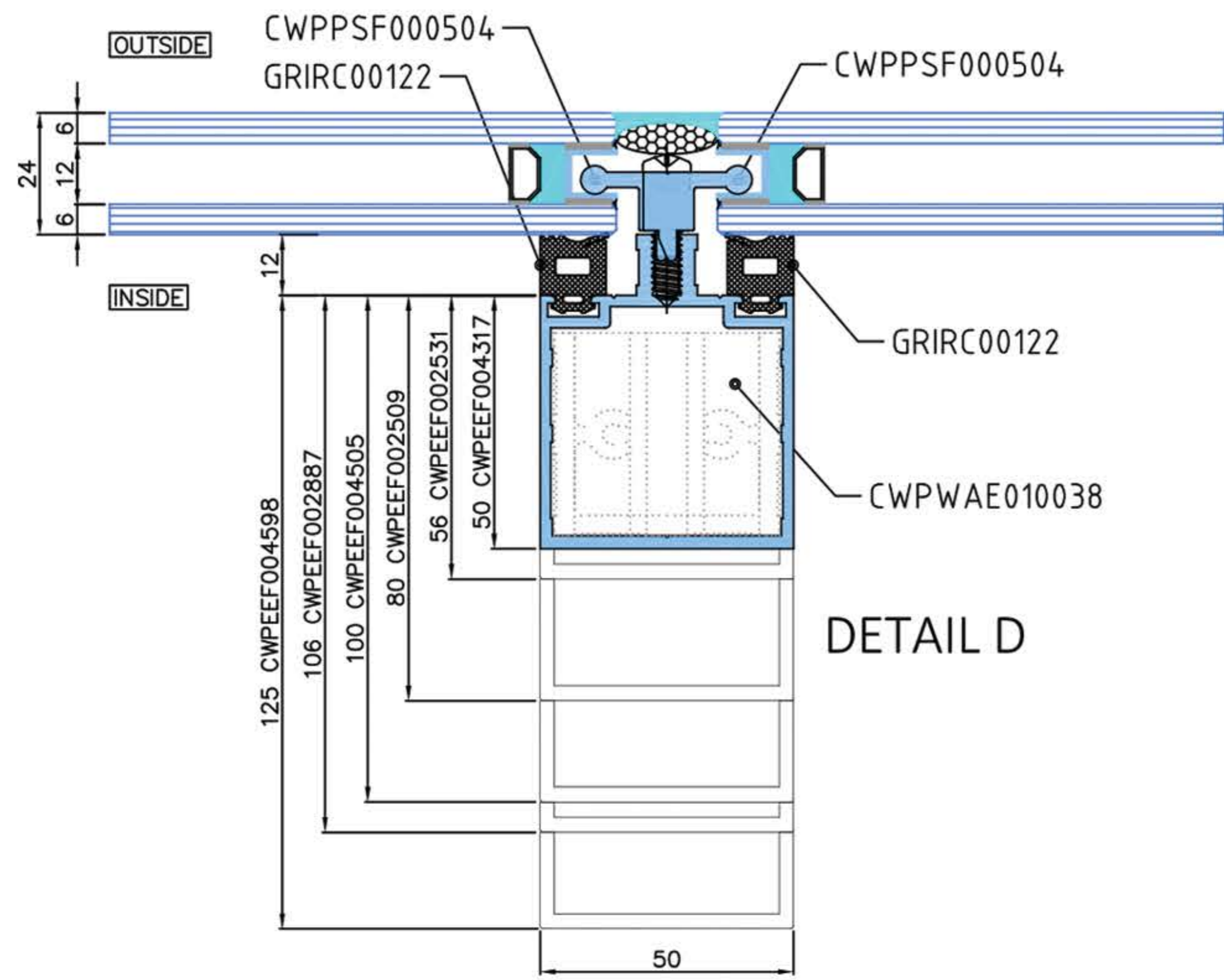


CURTAIN WALL - BA



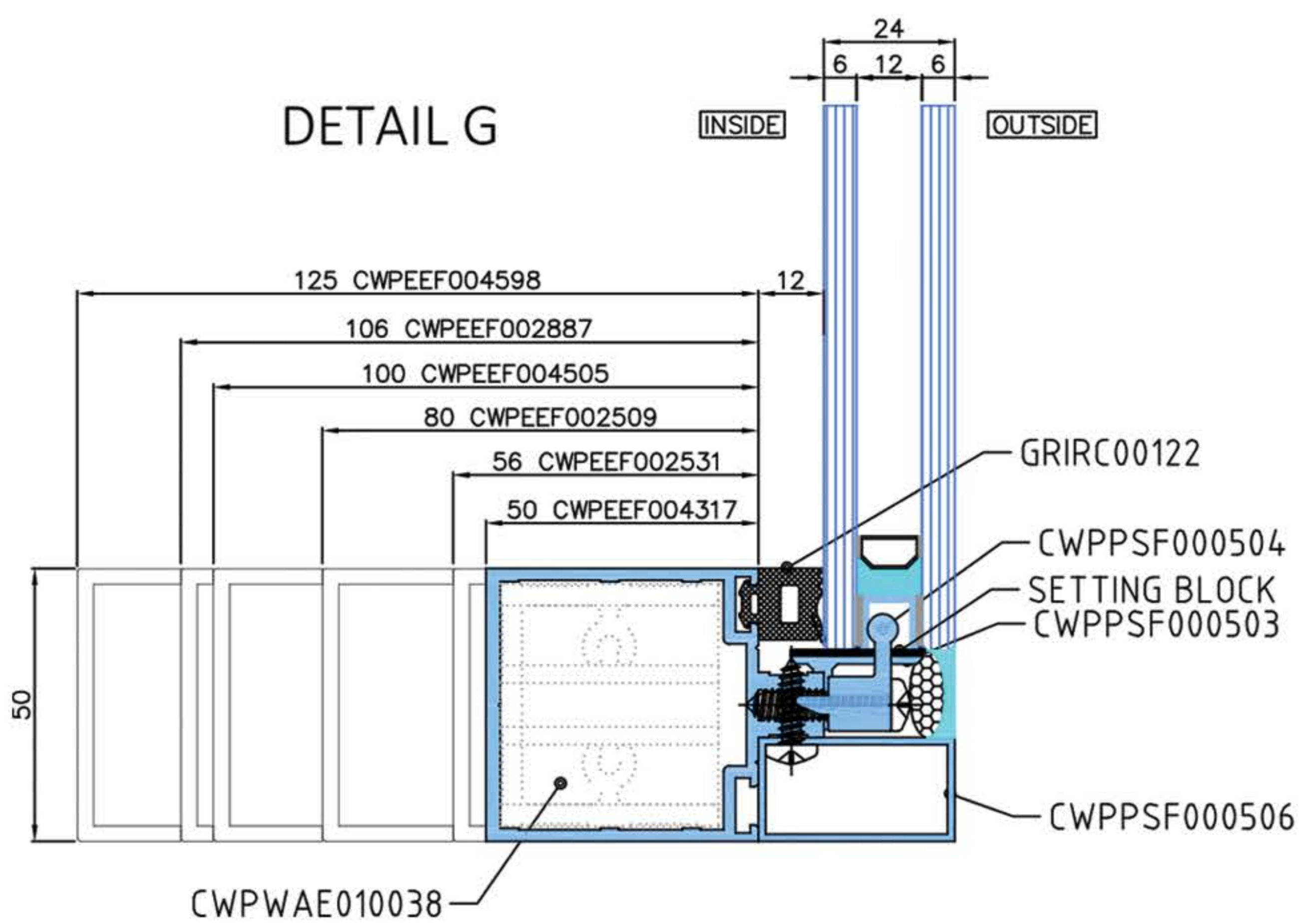
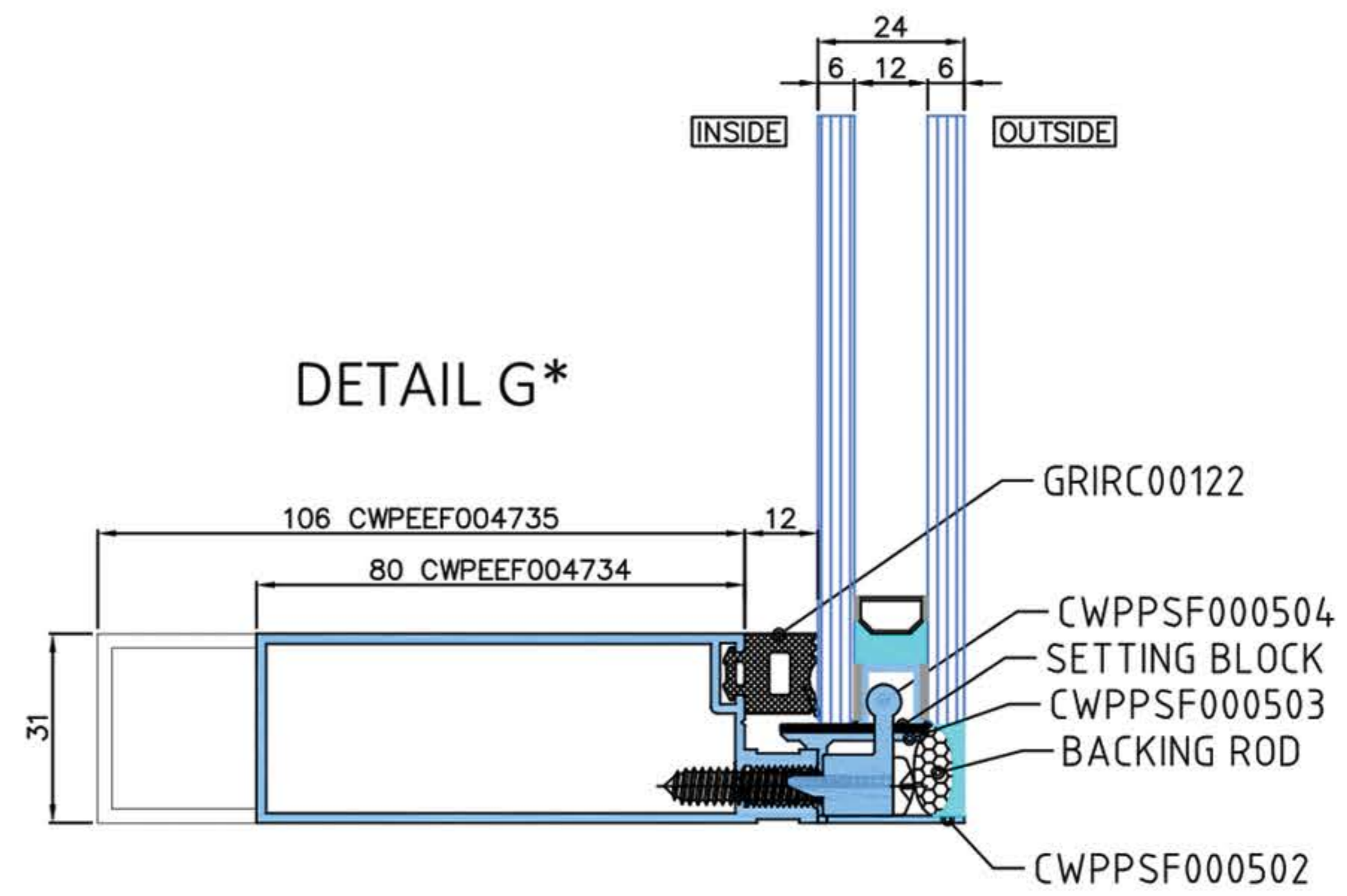
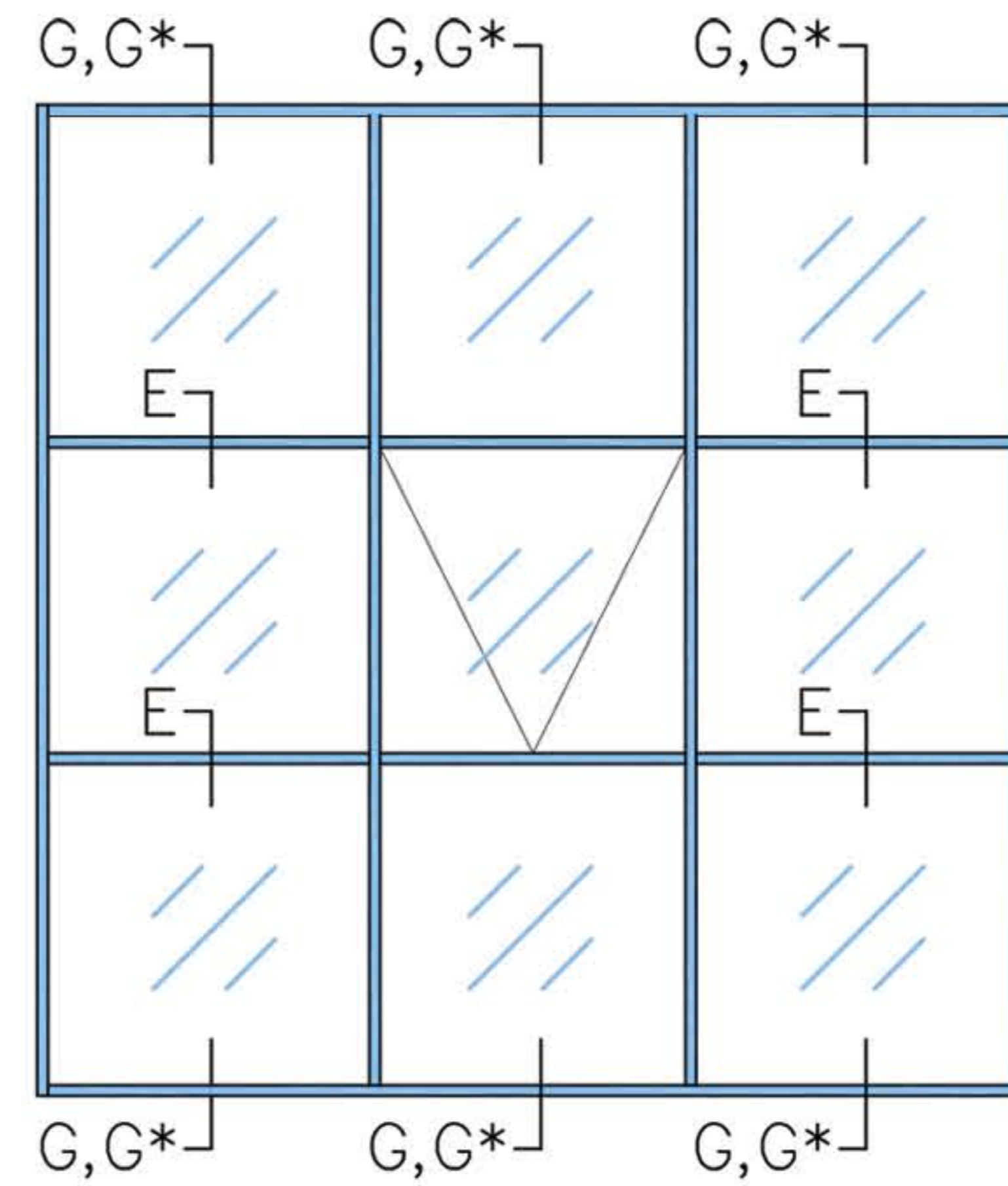
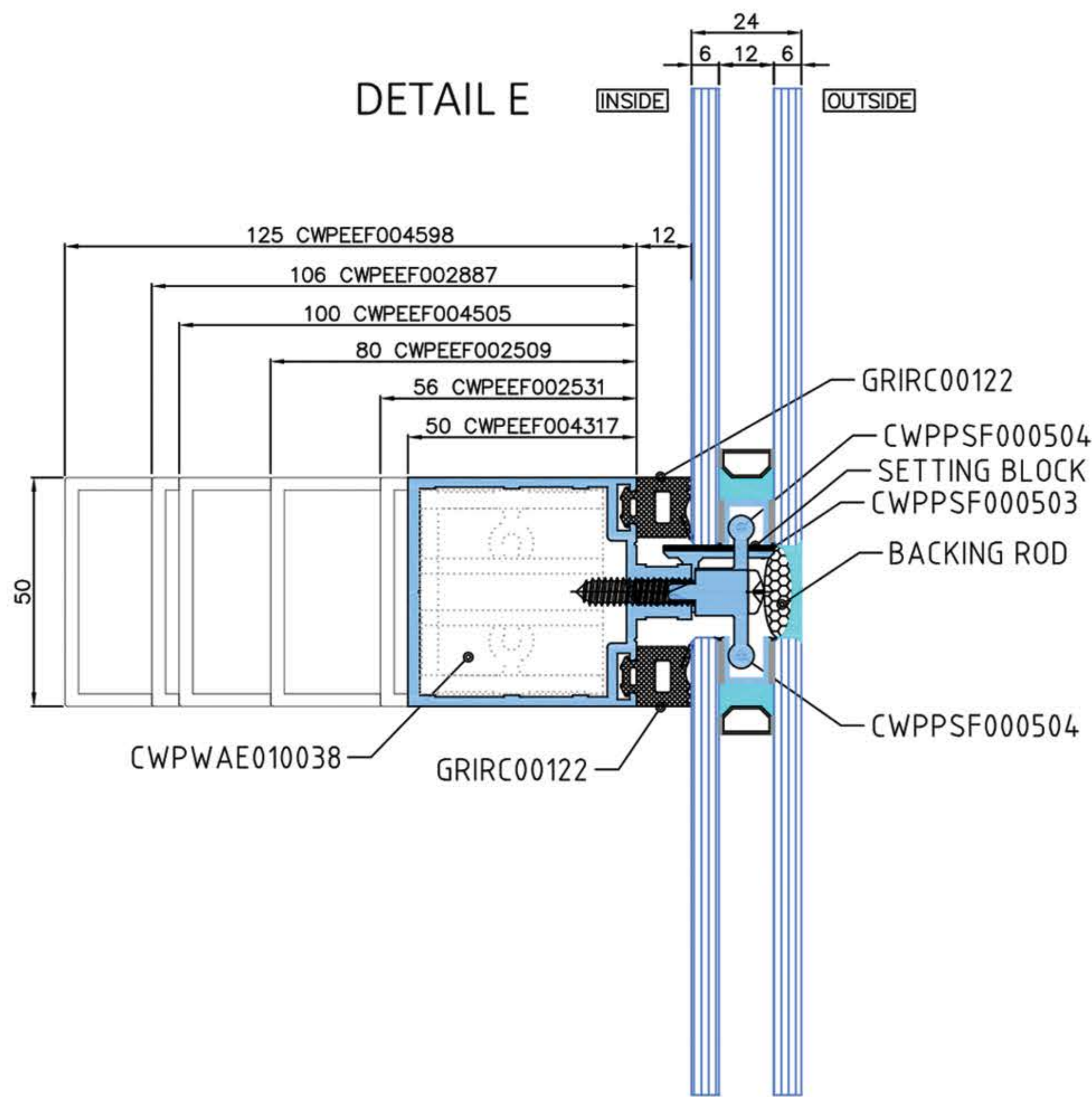
**DETAIL A**

CURTAIN WALL - BA





CURTAIN WALL - BA

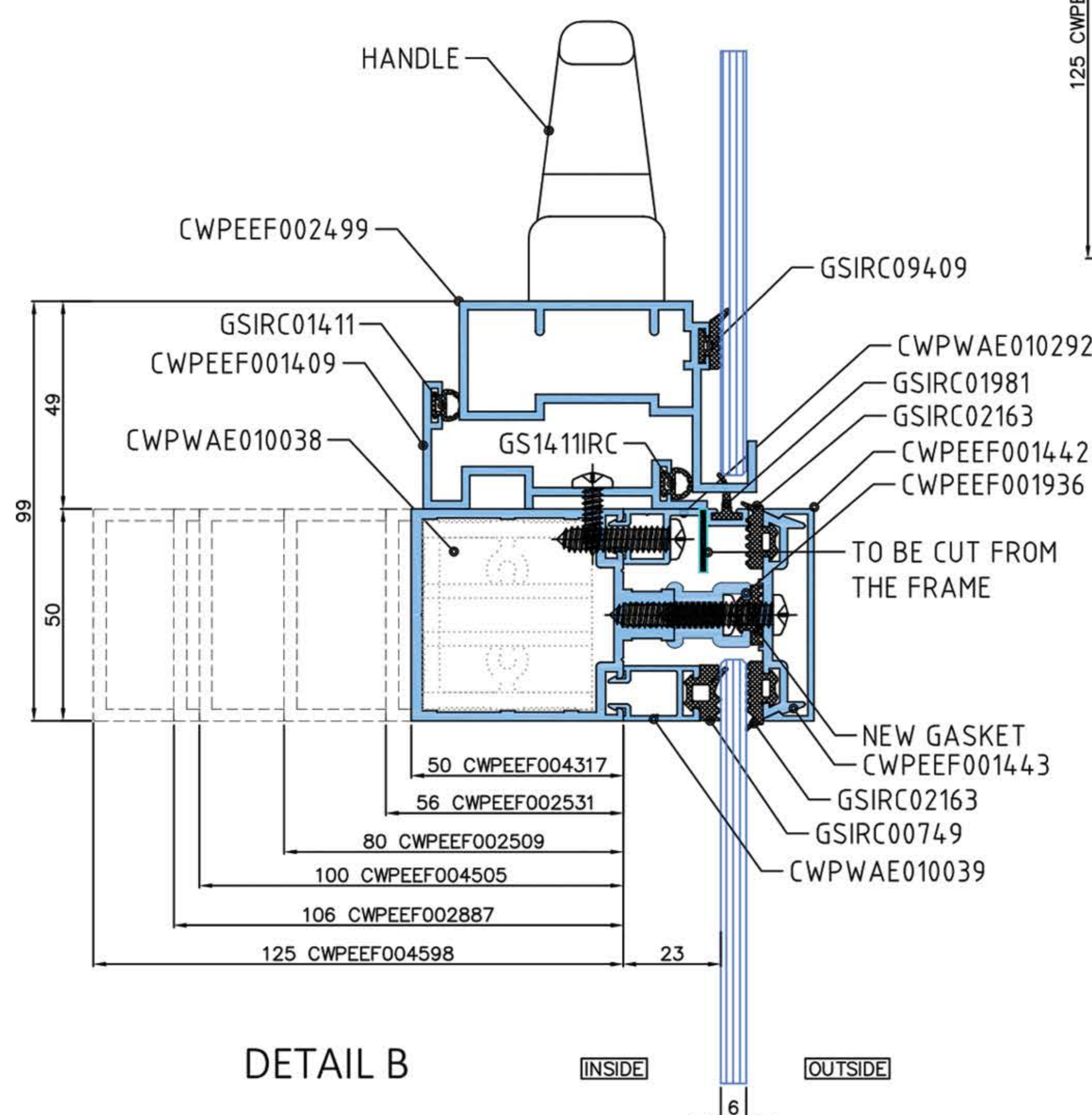
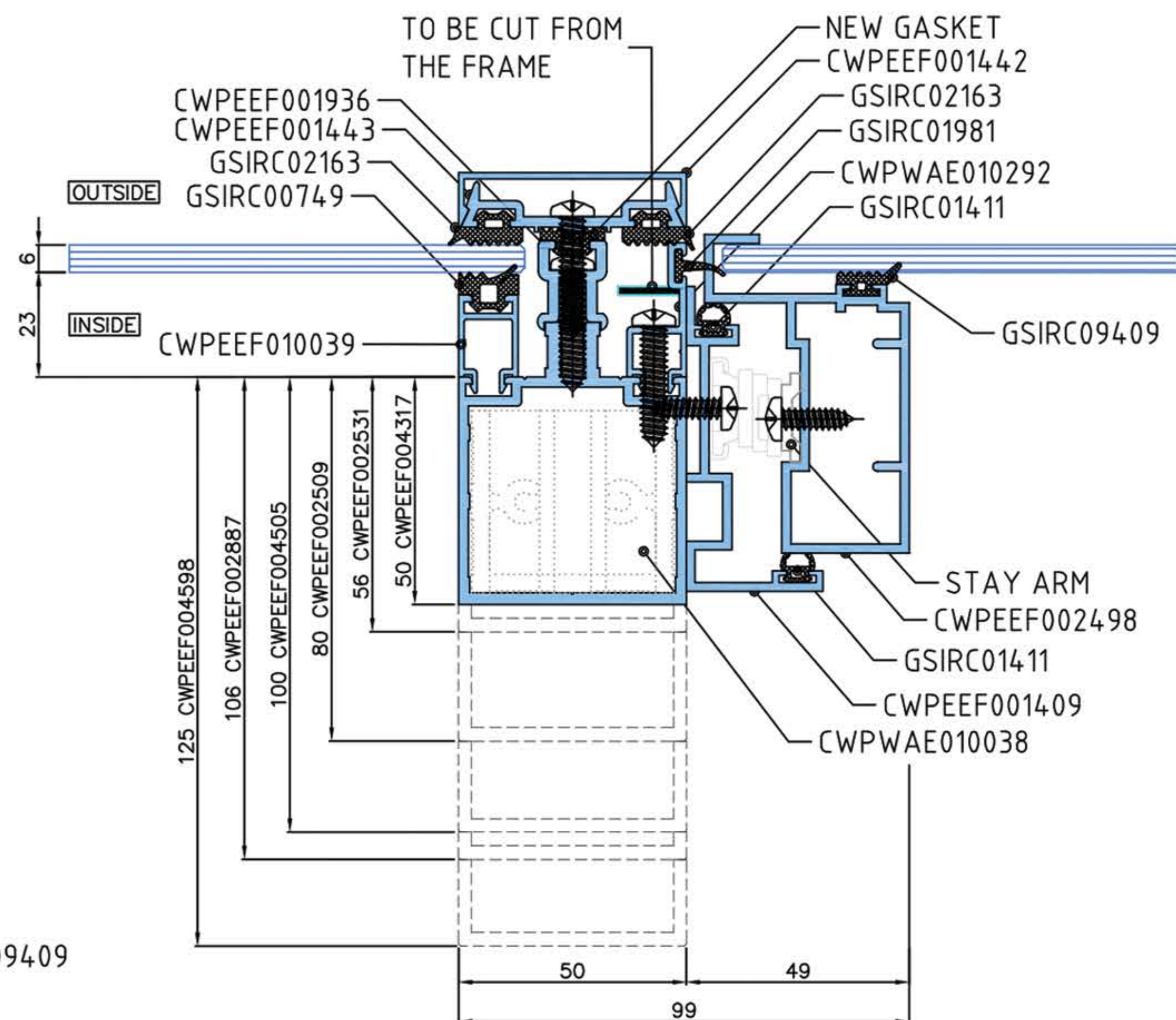
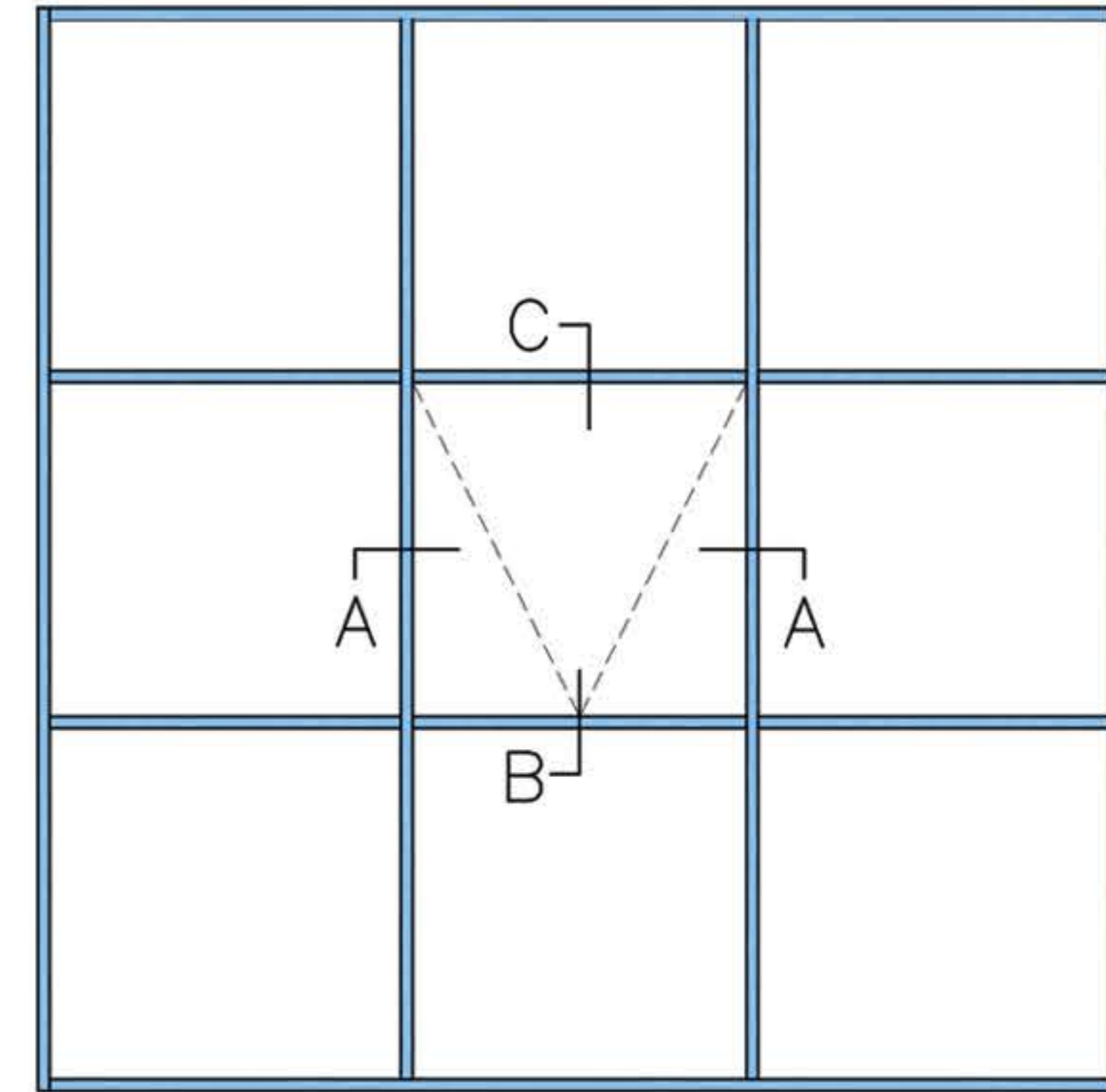
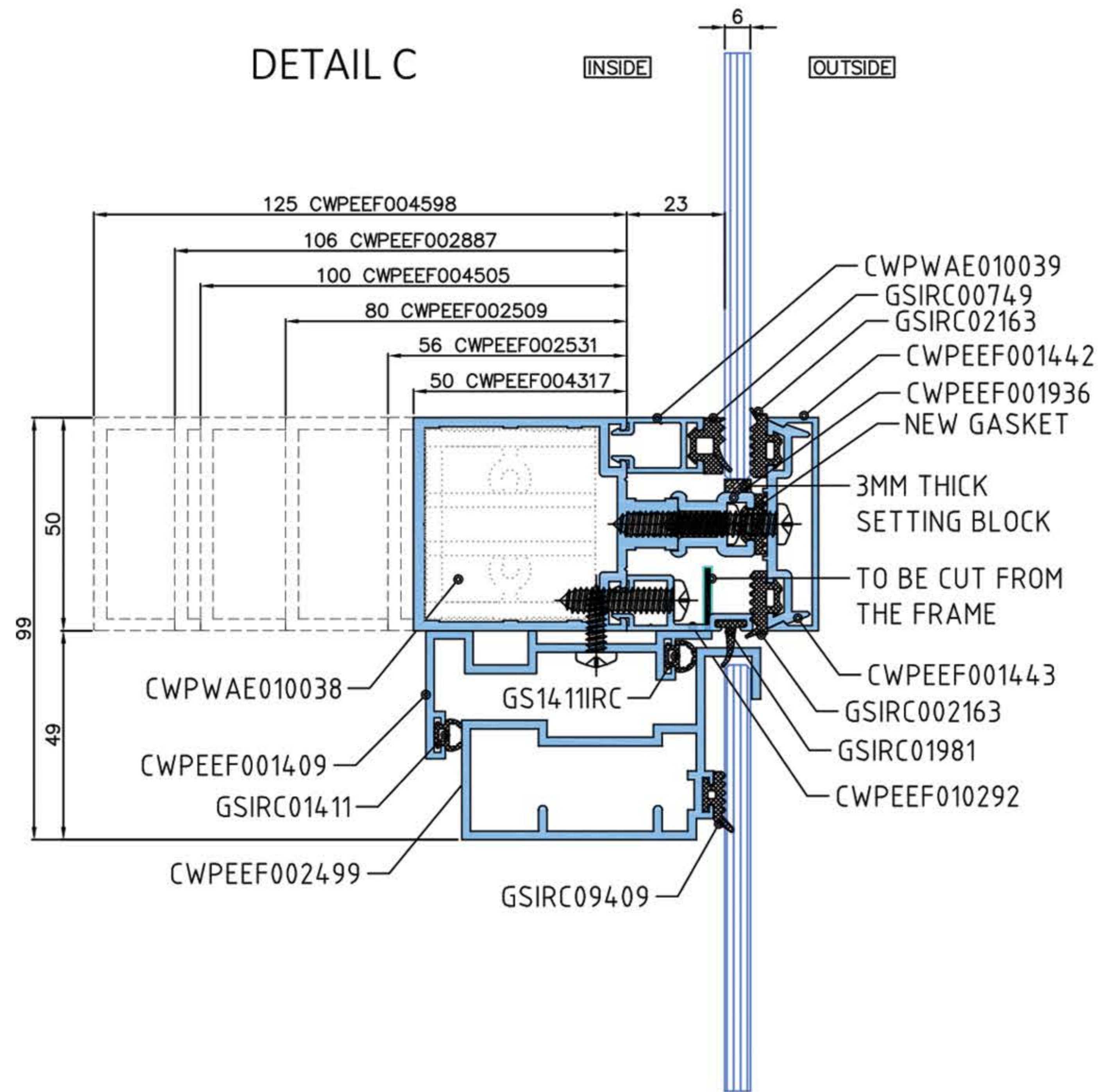


# CURTAIN WALL - SG

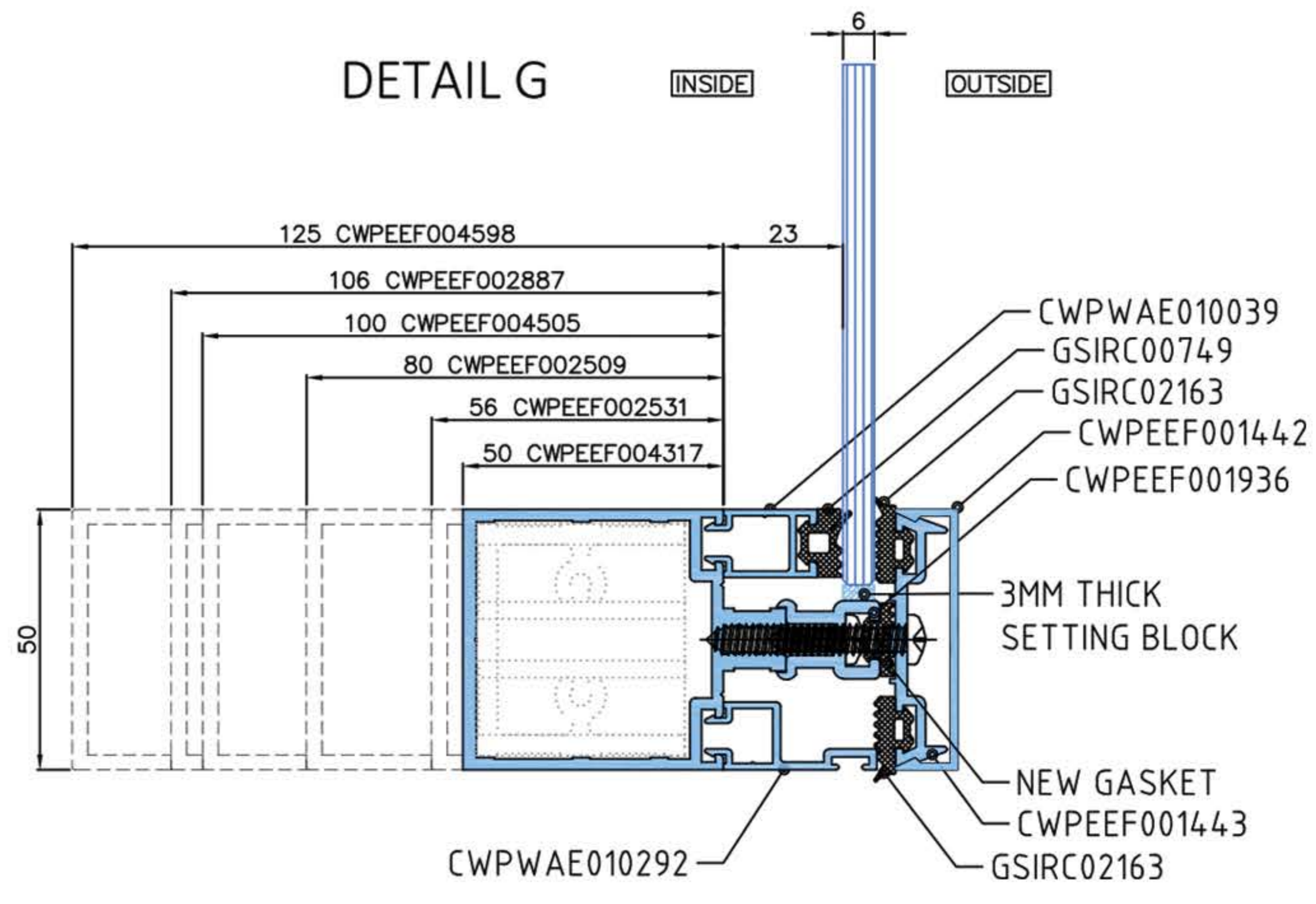
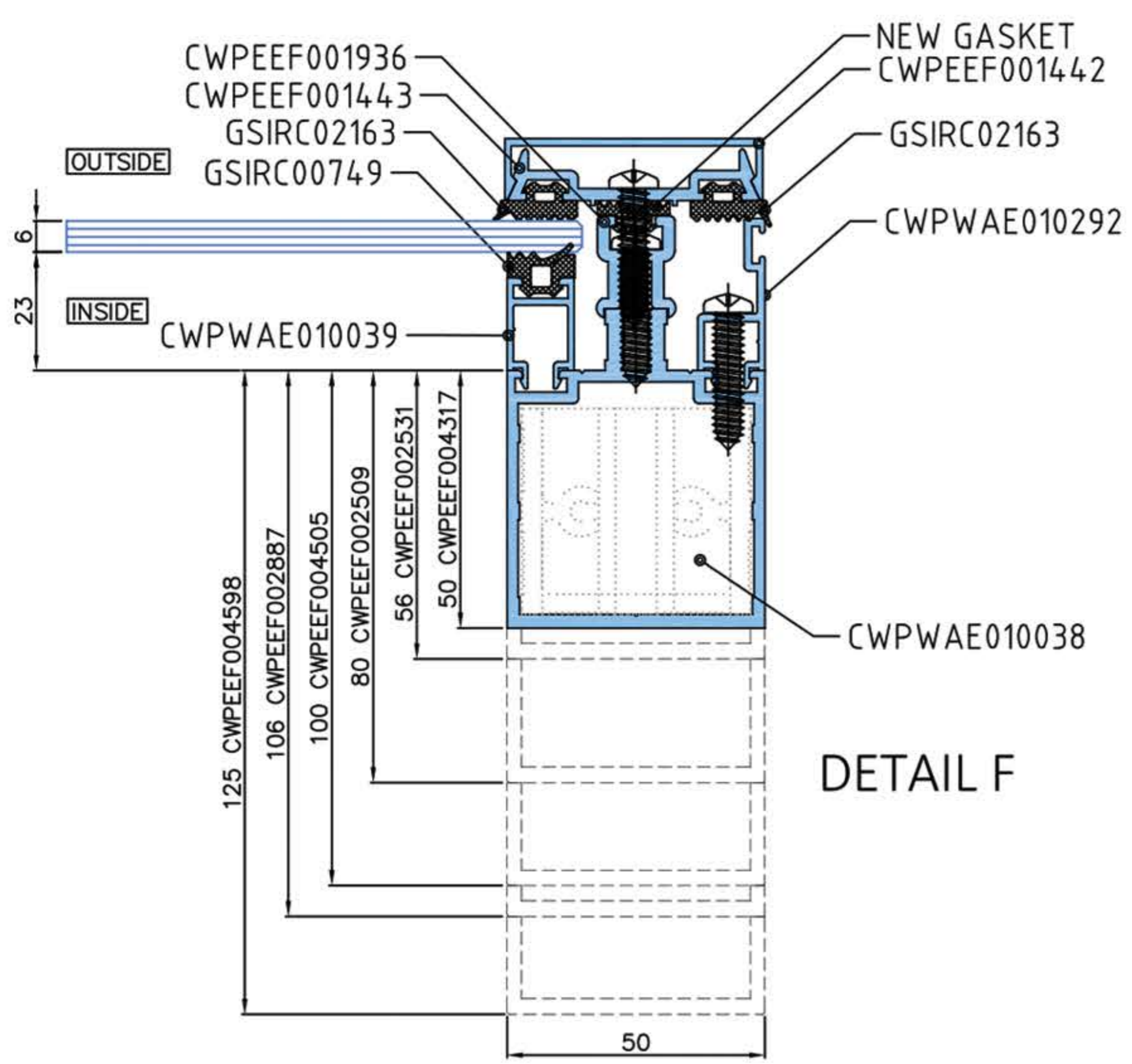
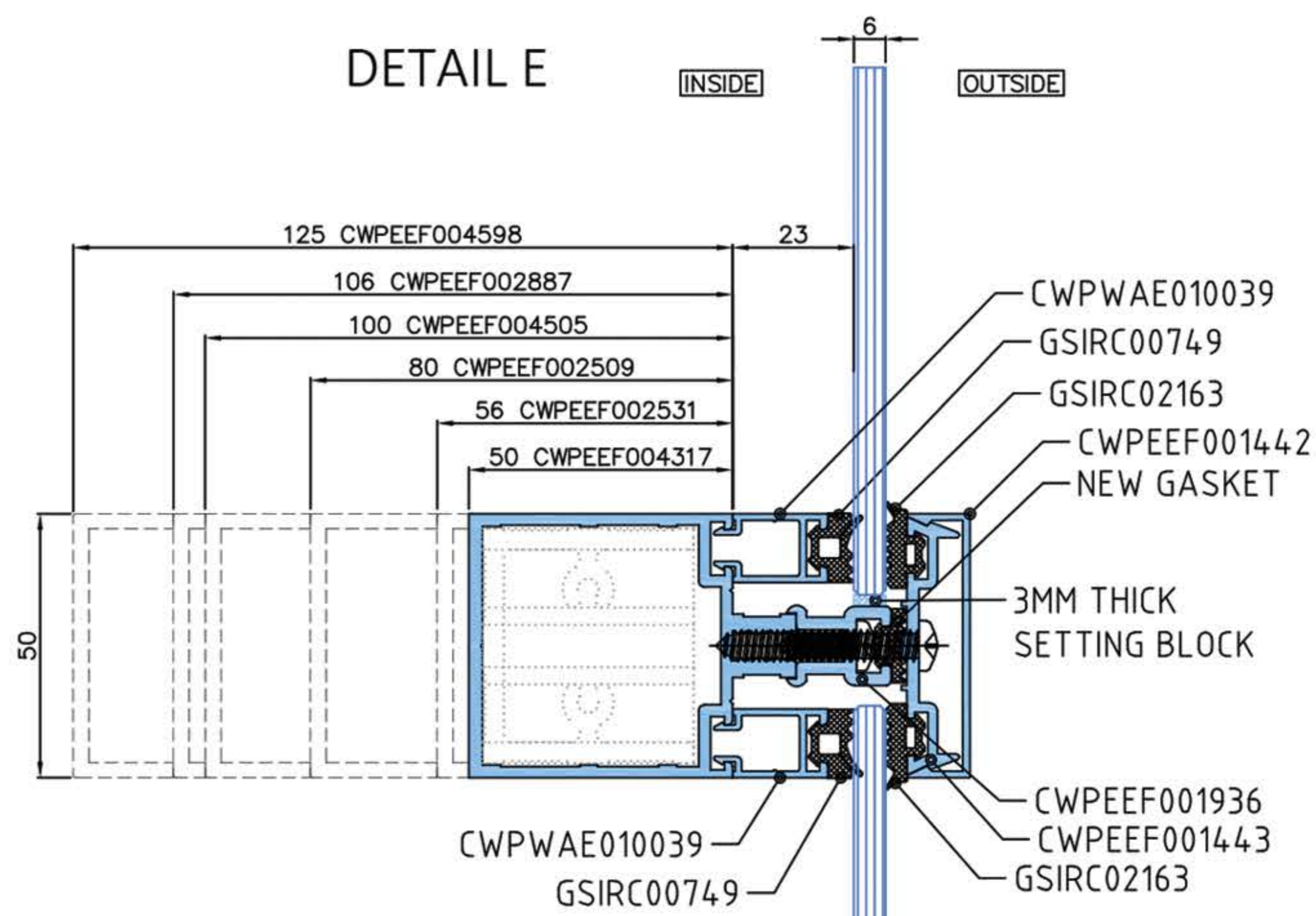
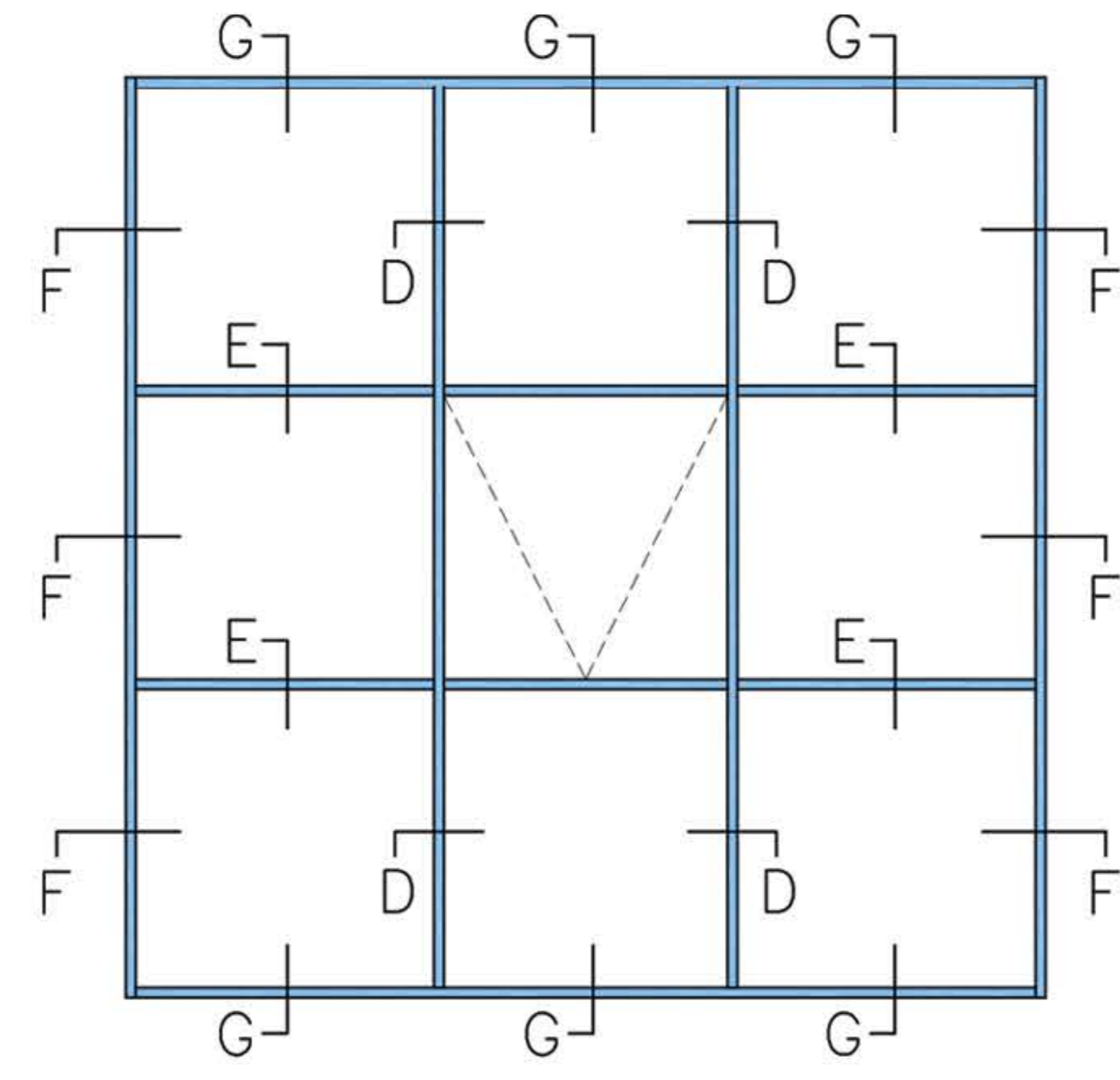
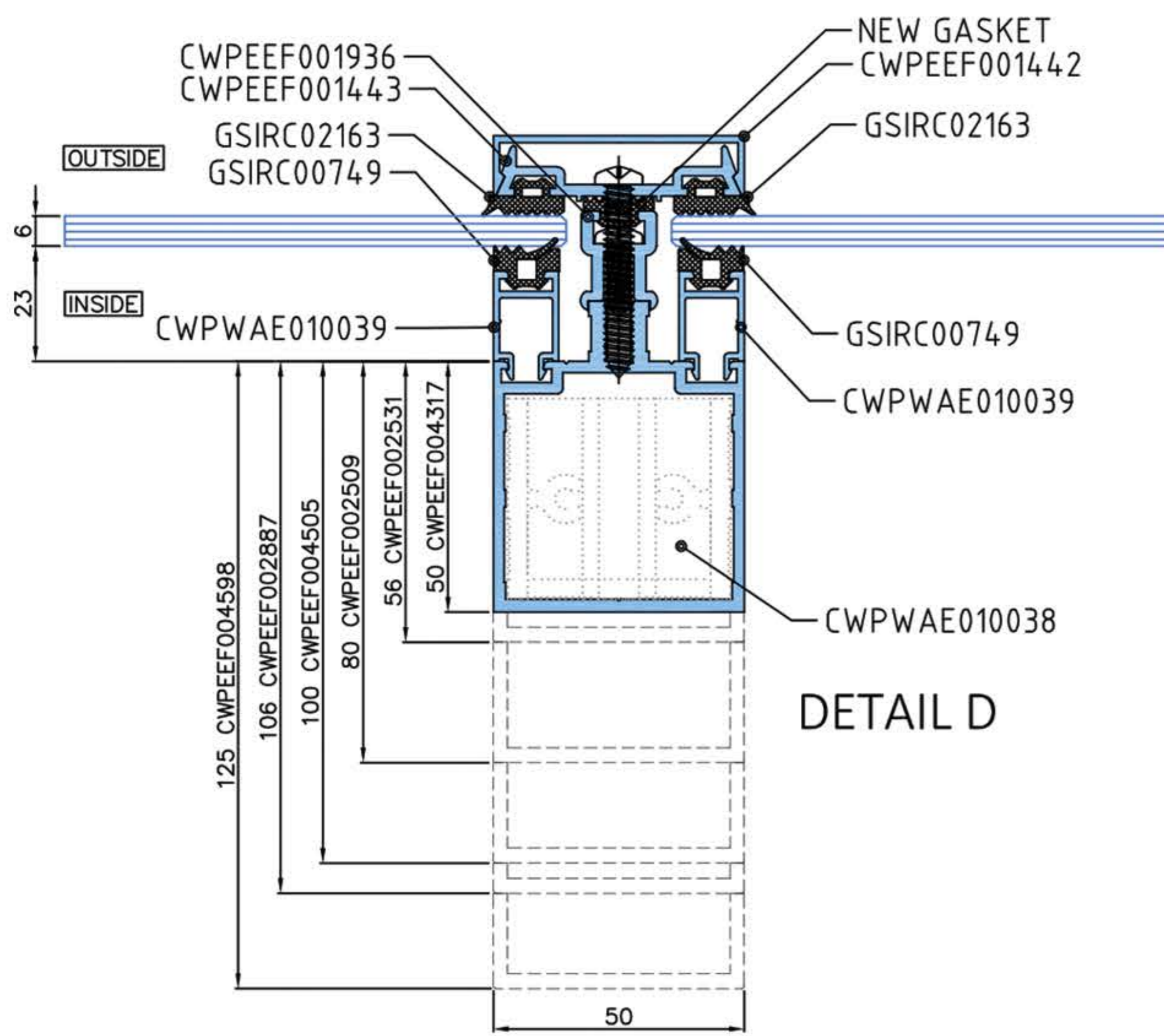
50MM CURTAIN WALL SINGLE GLASS



CURTAIN WALL - SG



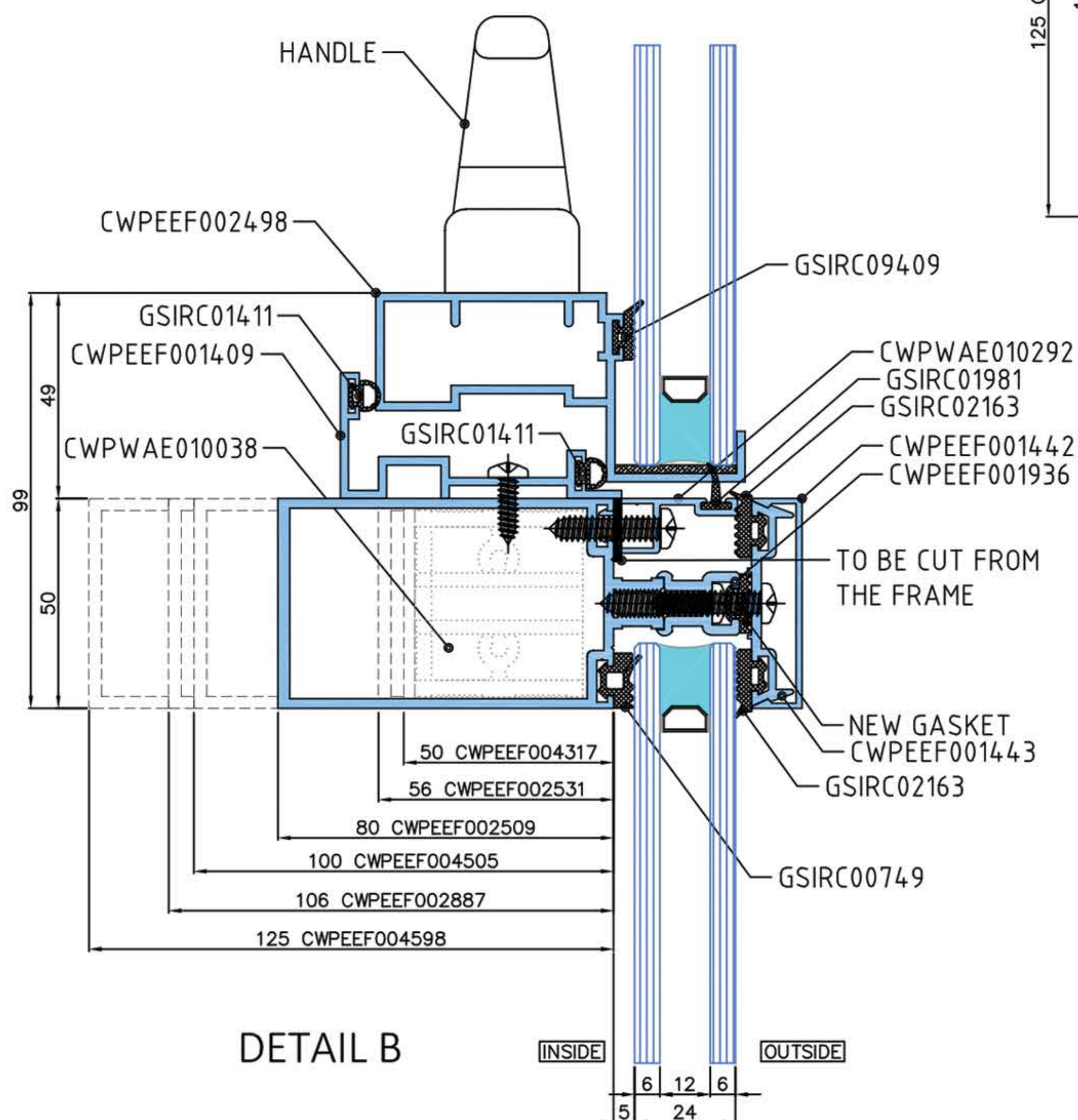
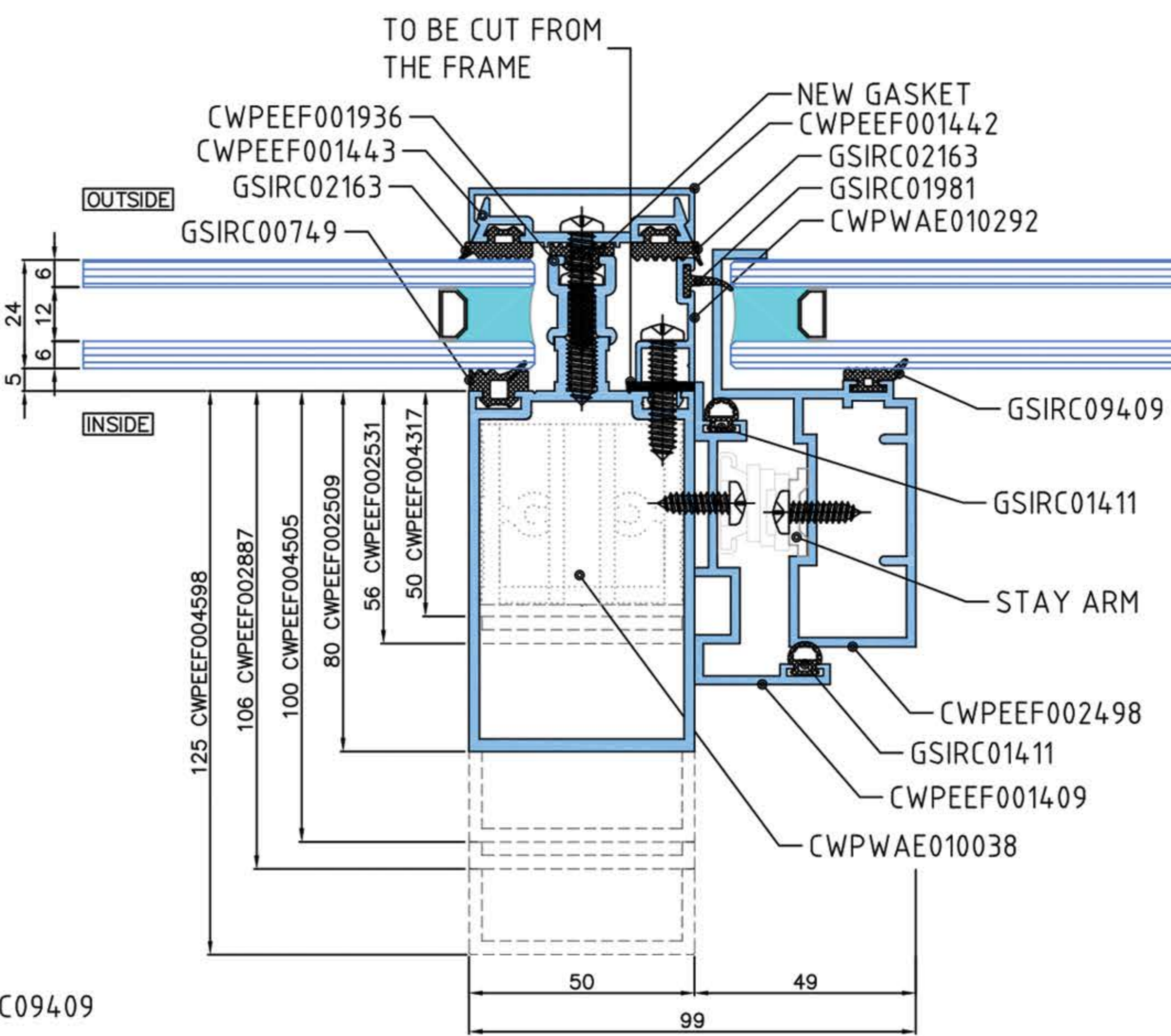
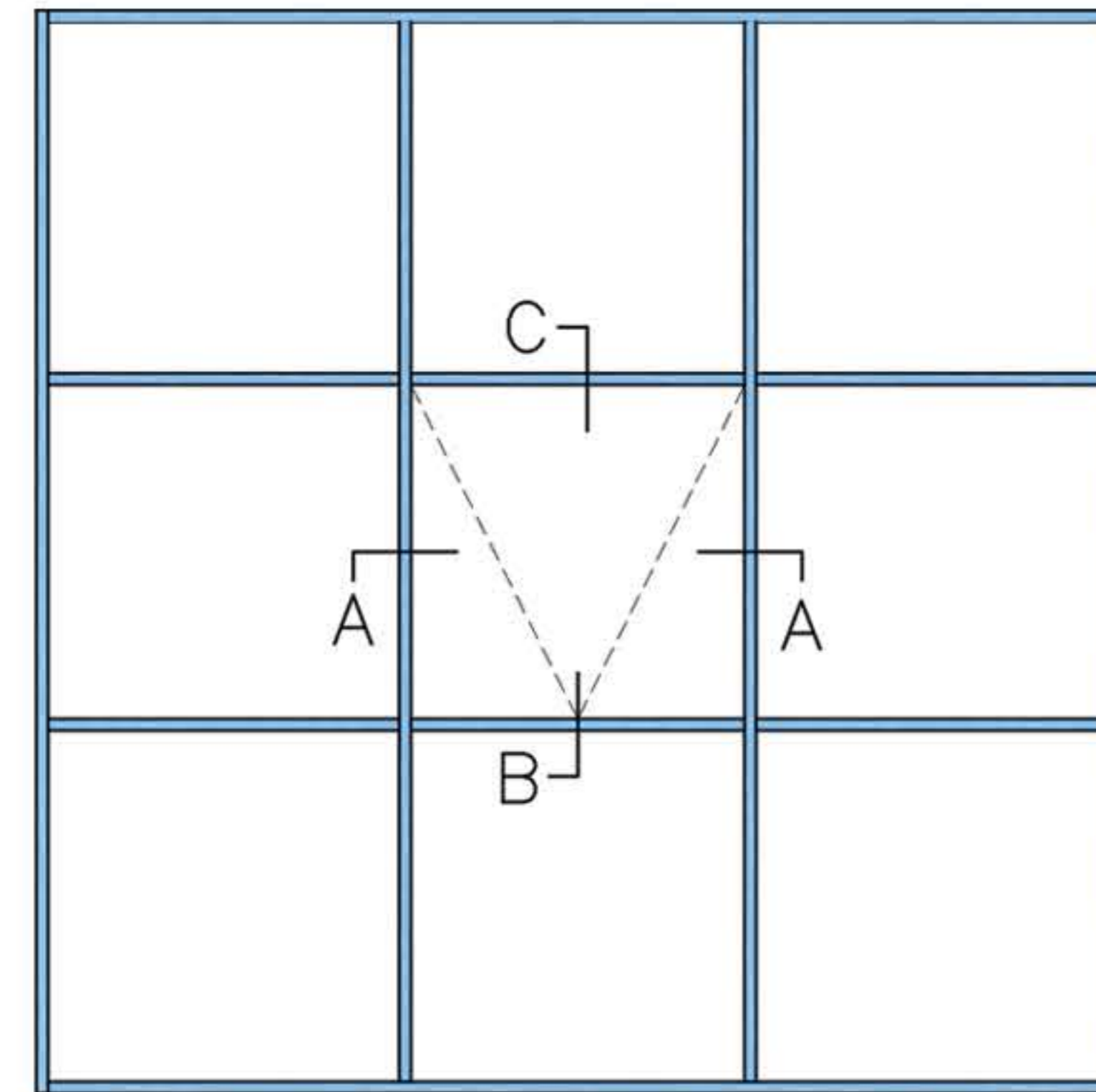
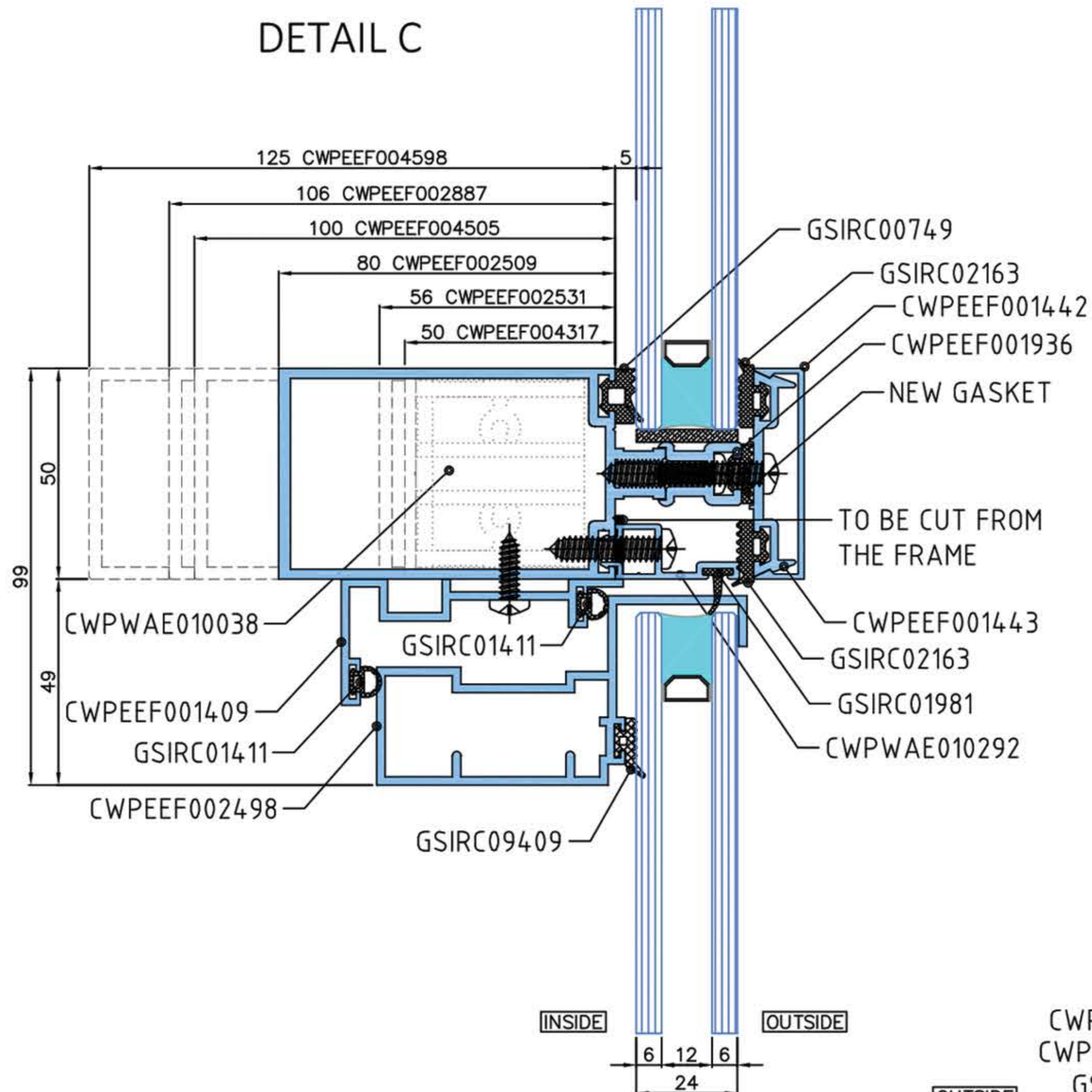
As Prospec Specialties' policy is one of continual progress for the improvement of the company's services to its customers, the company reserves the right to modify the specifications of its products without notice.

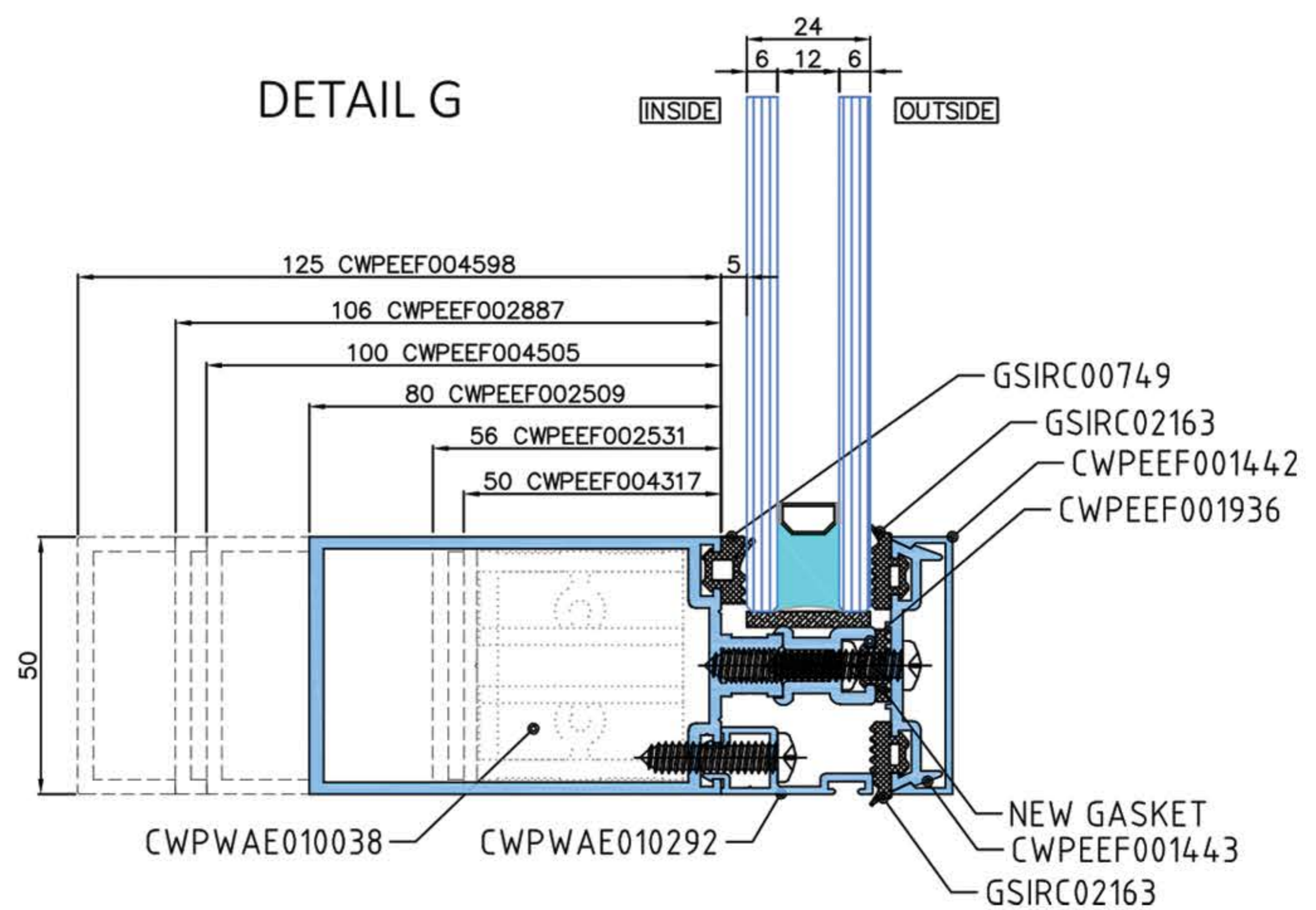
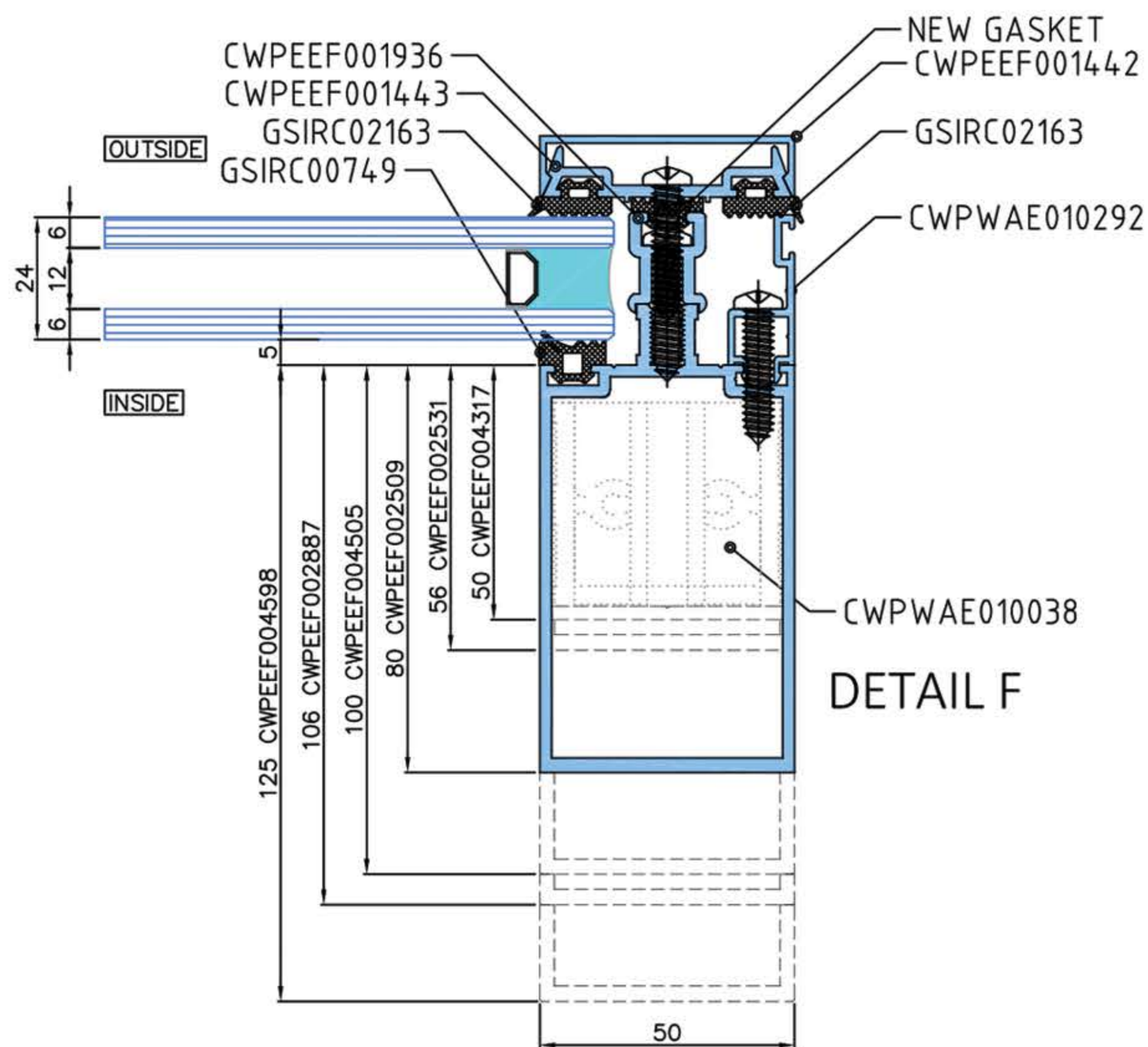
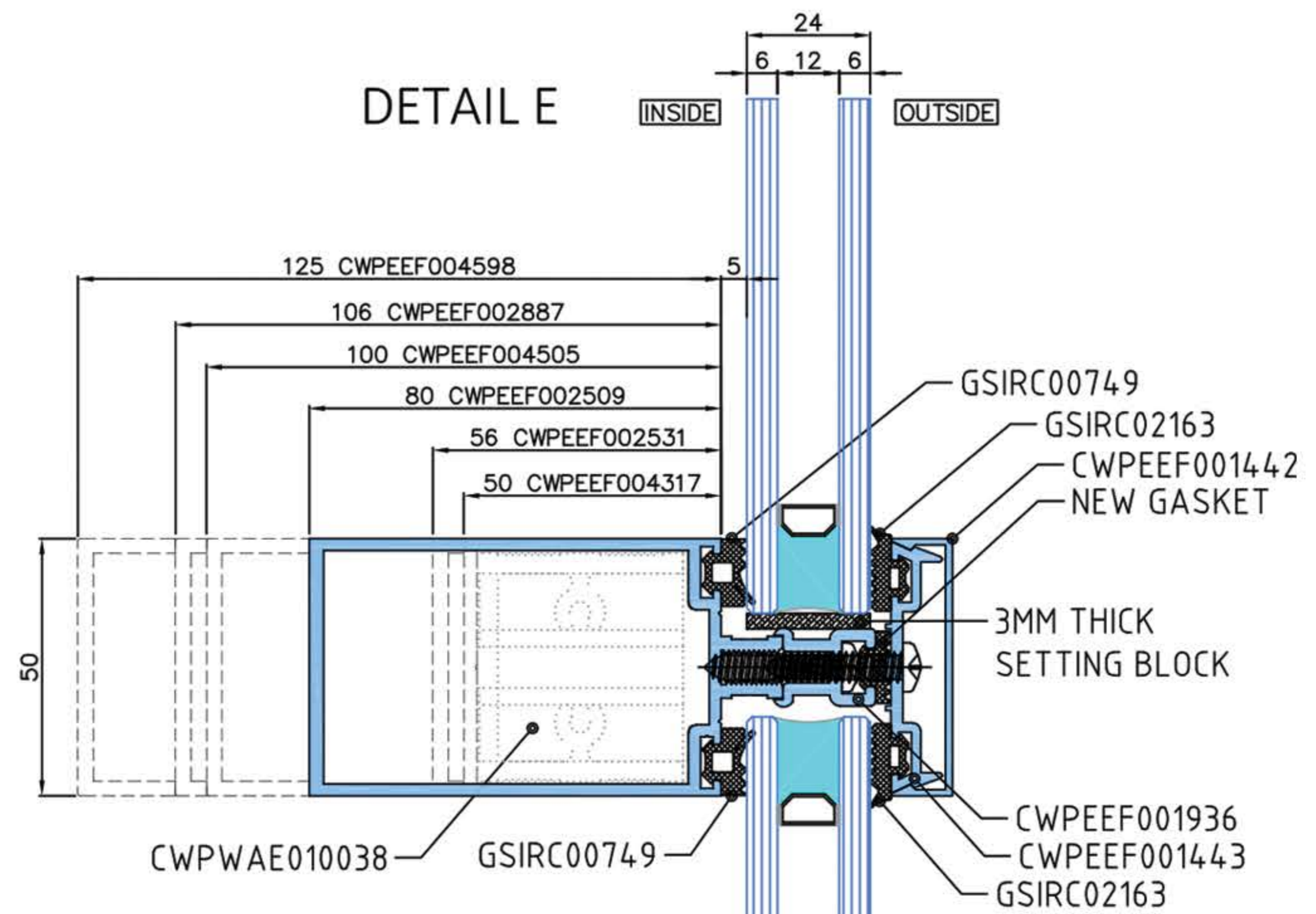
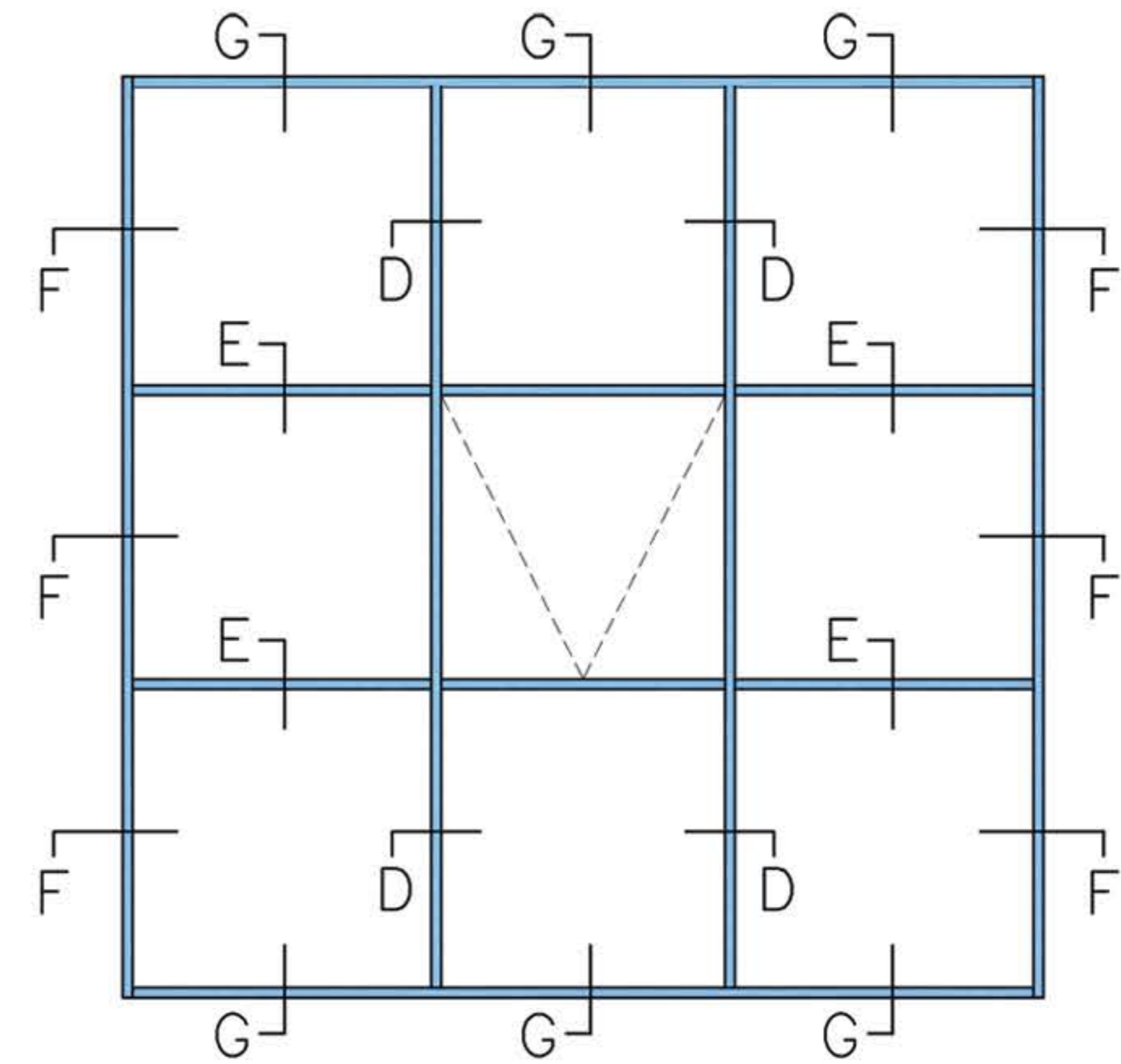
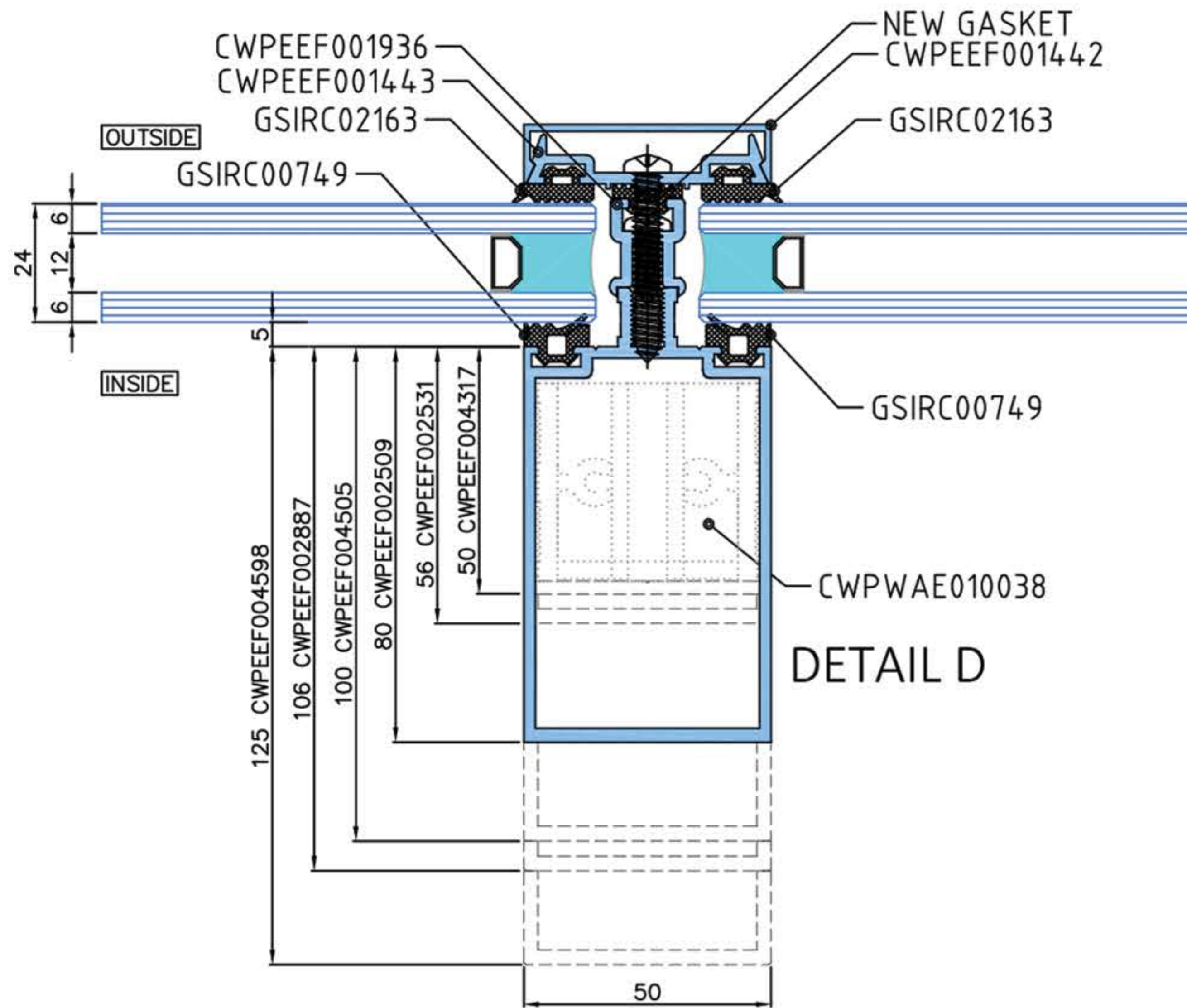


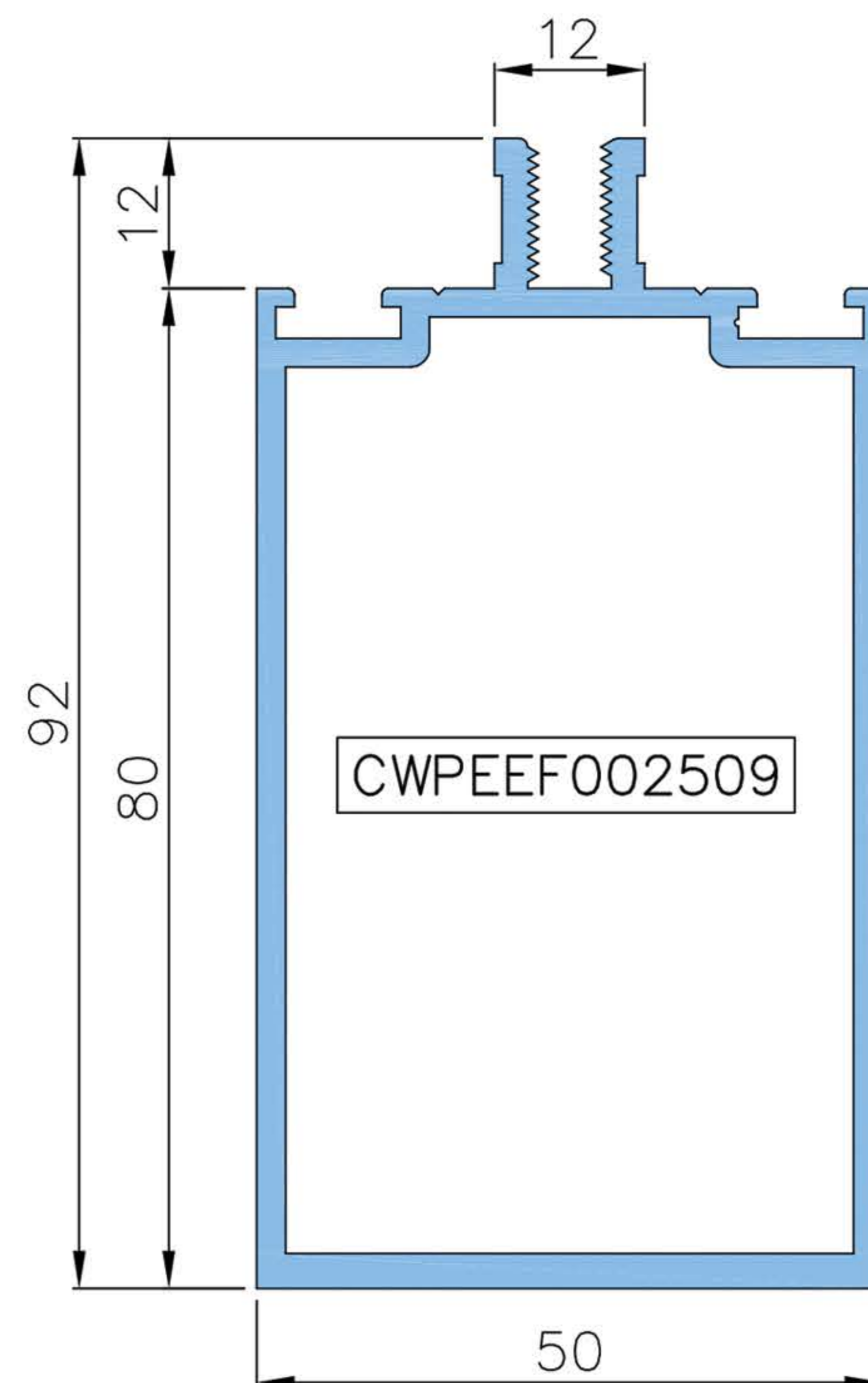
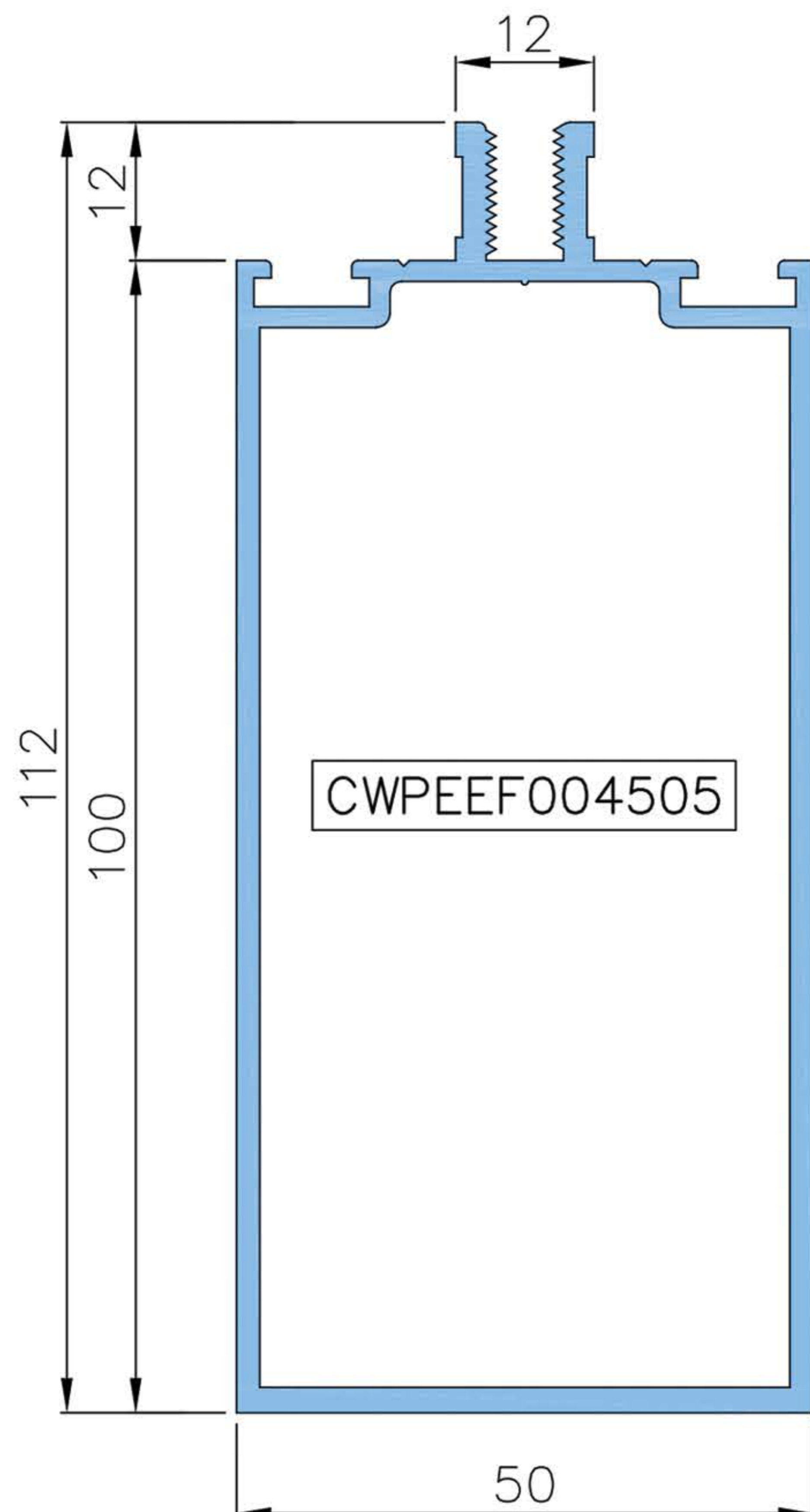
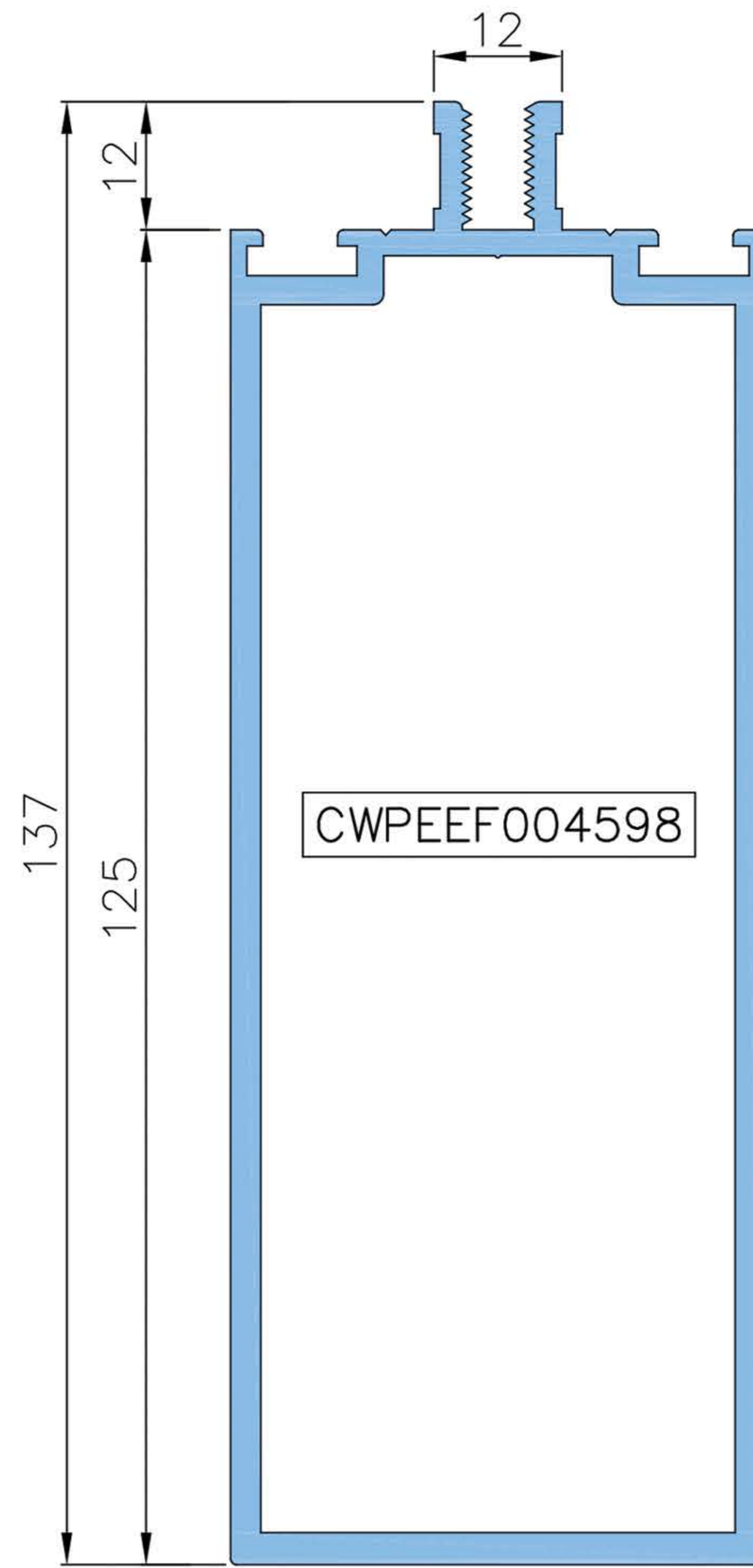
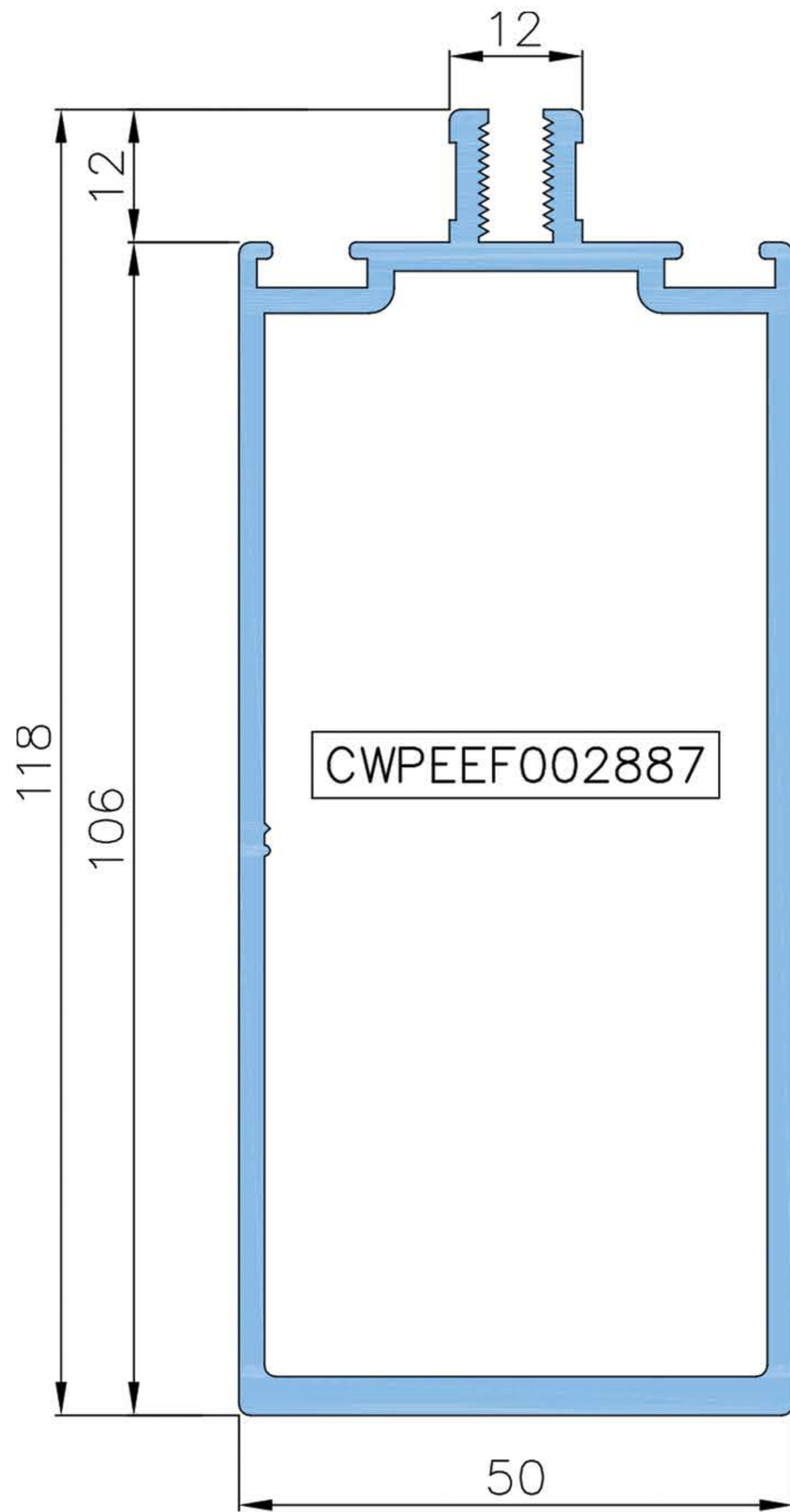


# CURTAIN WALL - PP

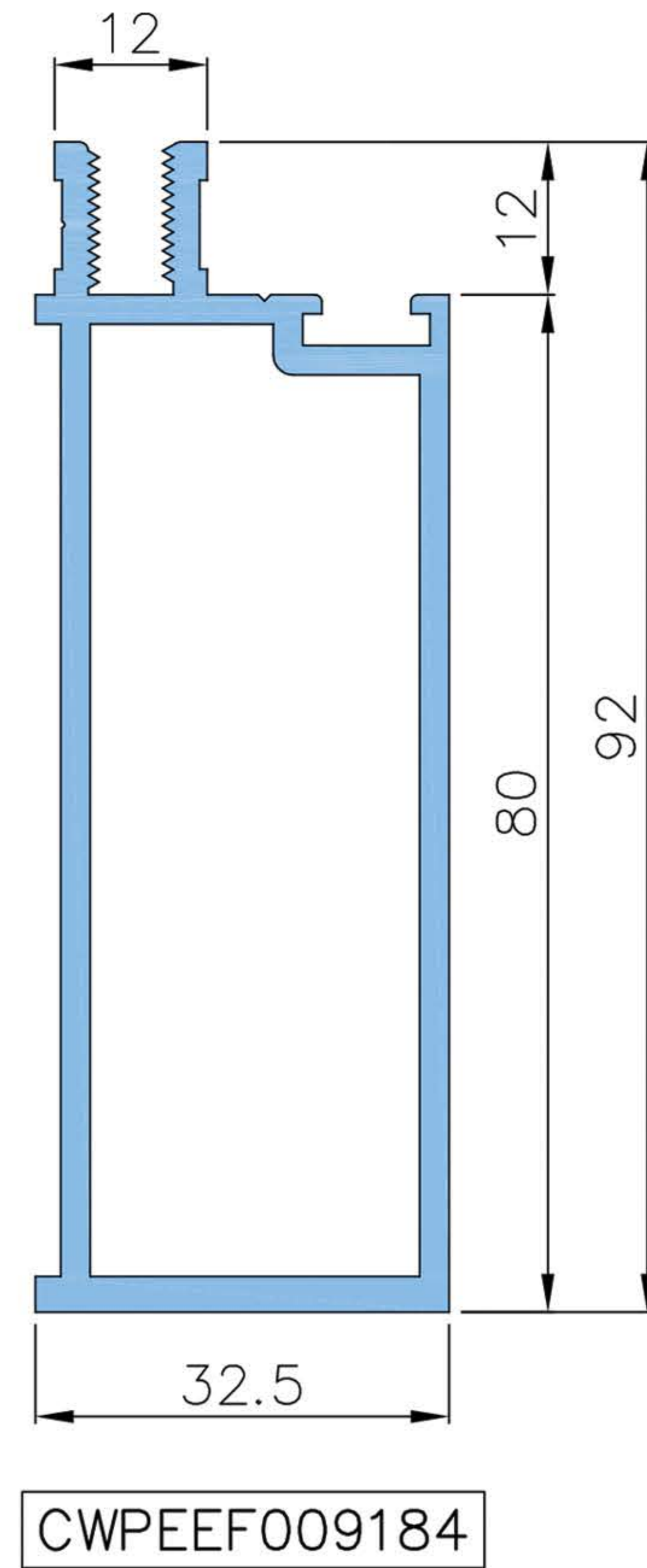
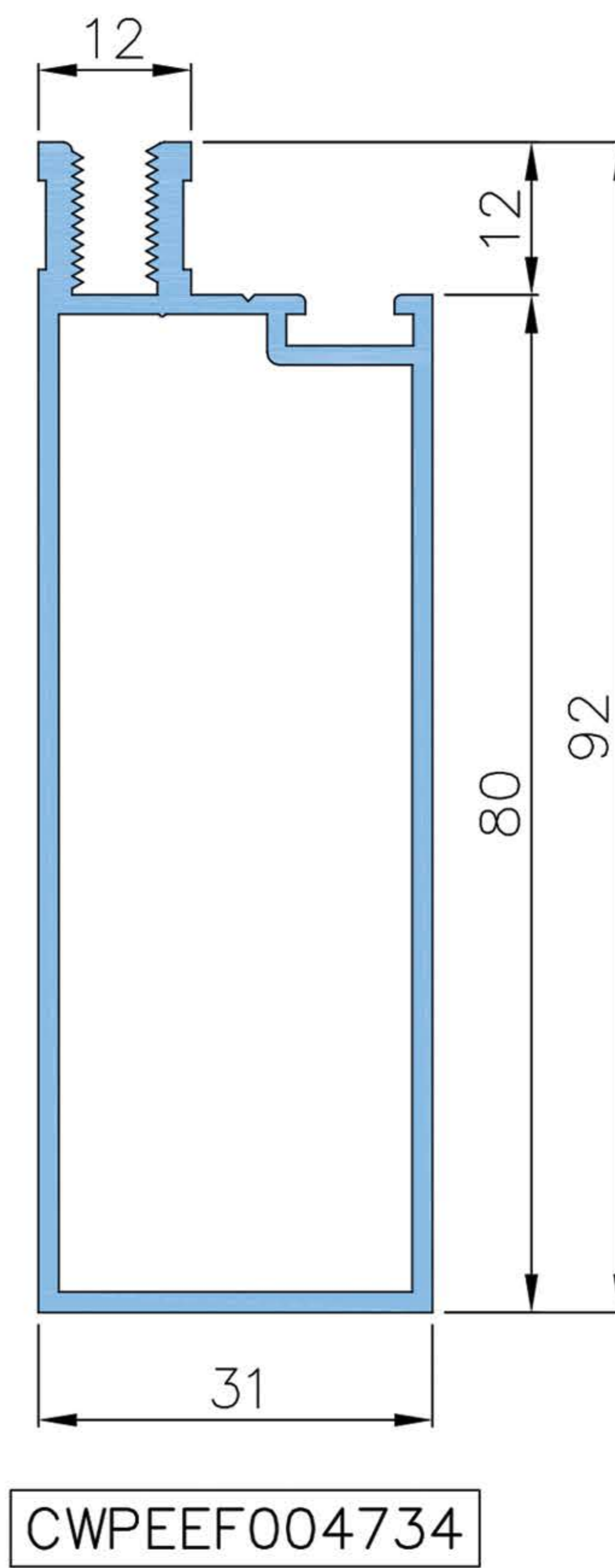
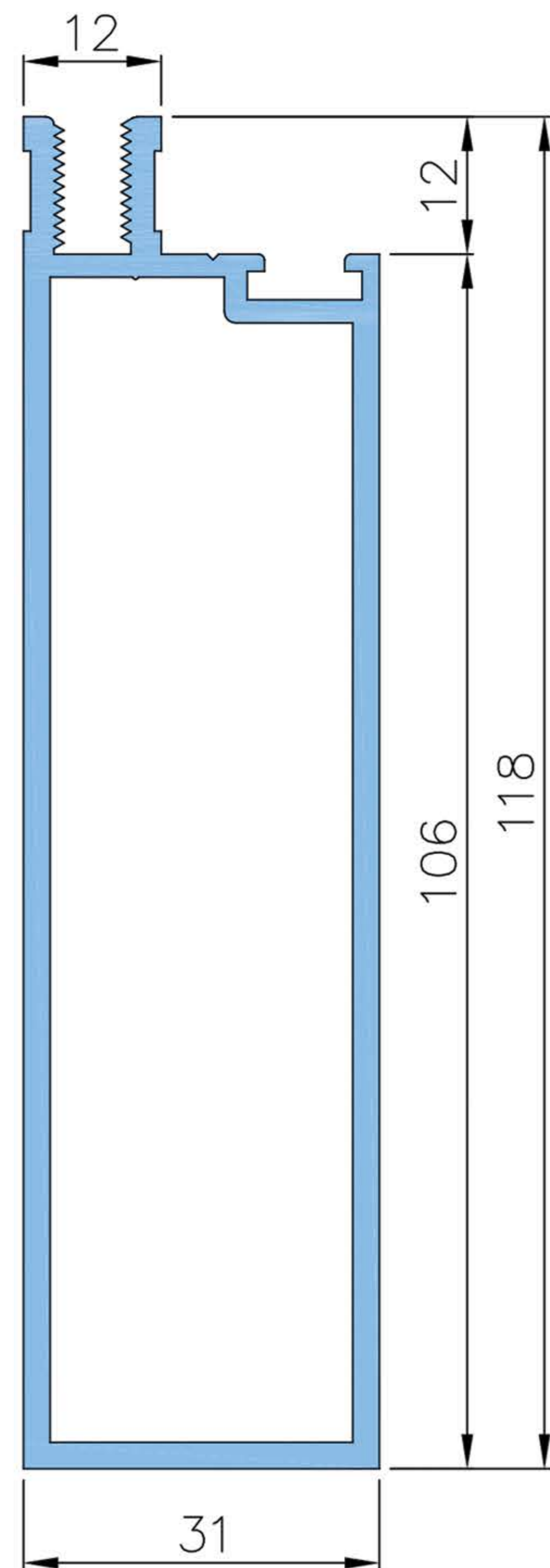
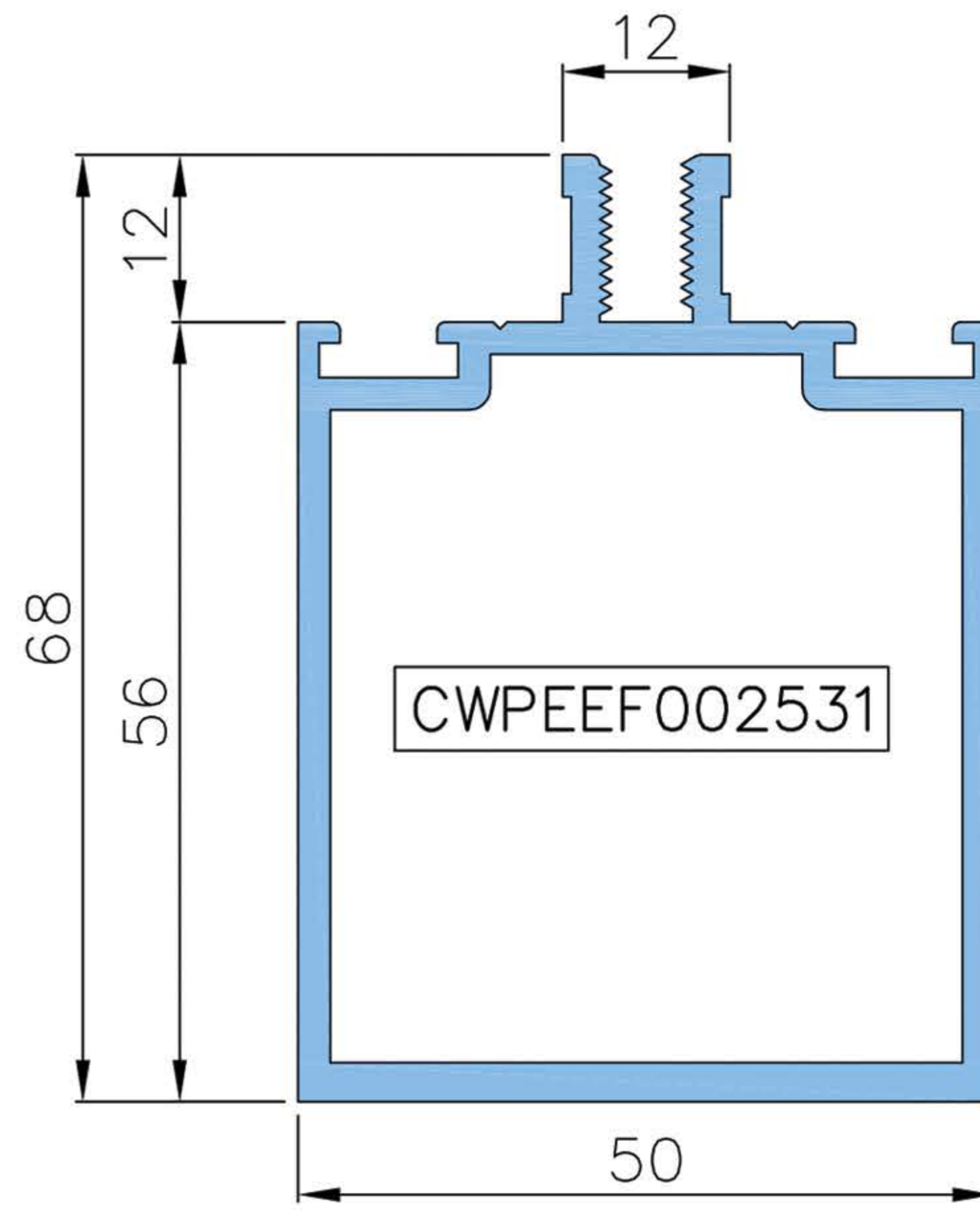
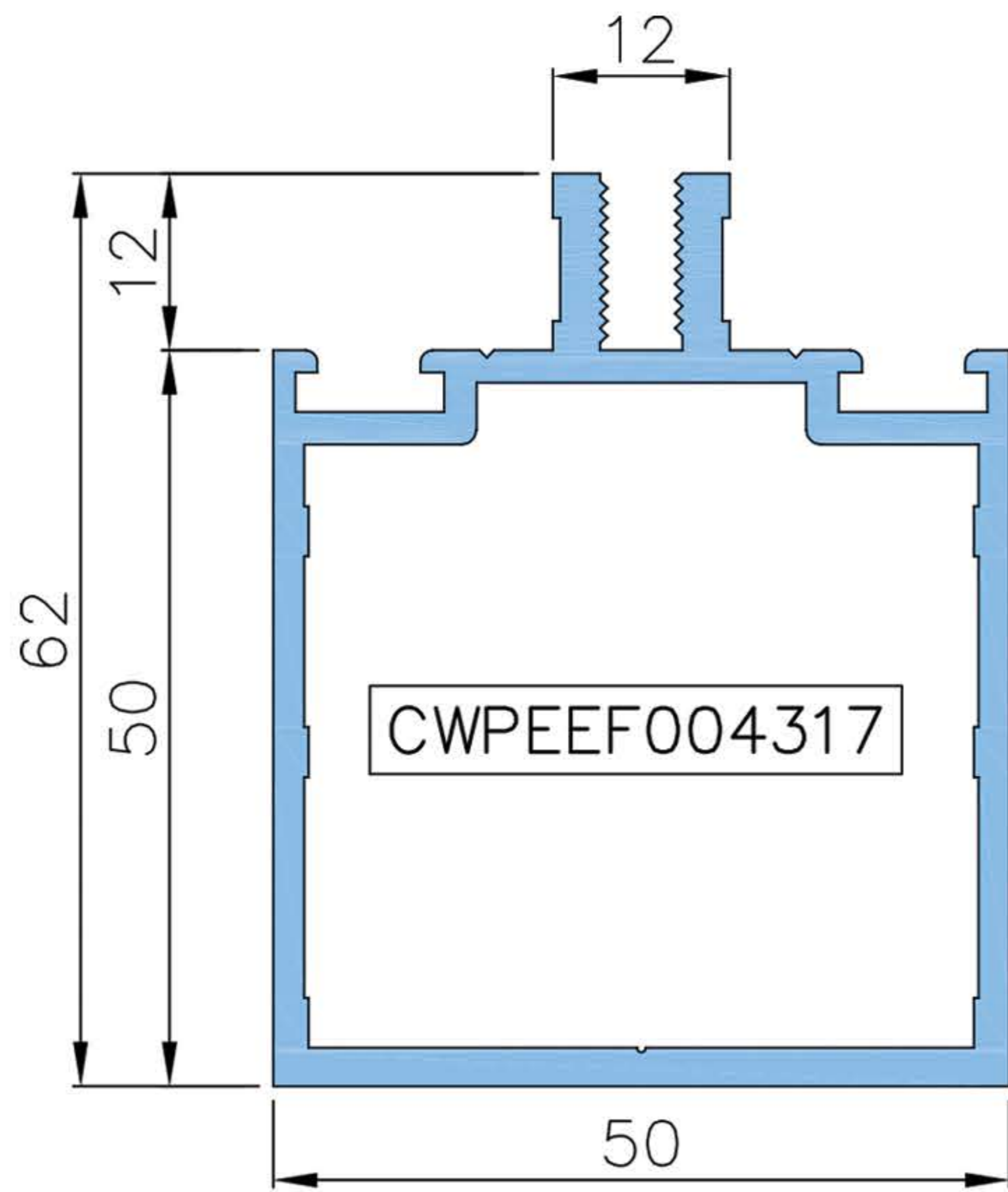
50MM CURTAIN WALL WITH COVER PLATE

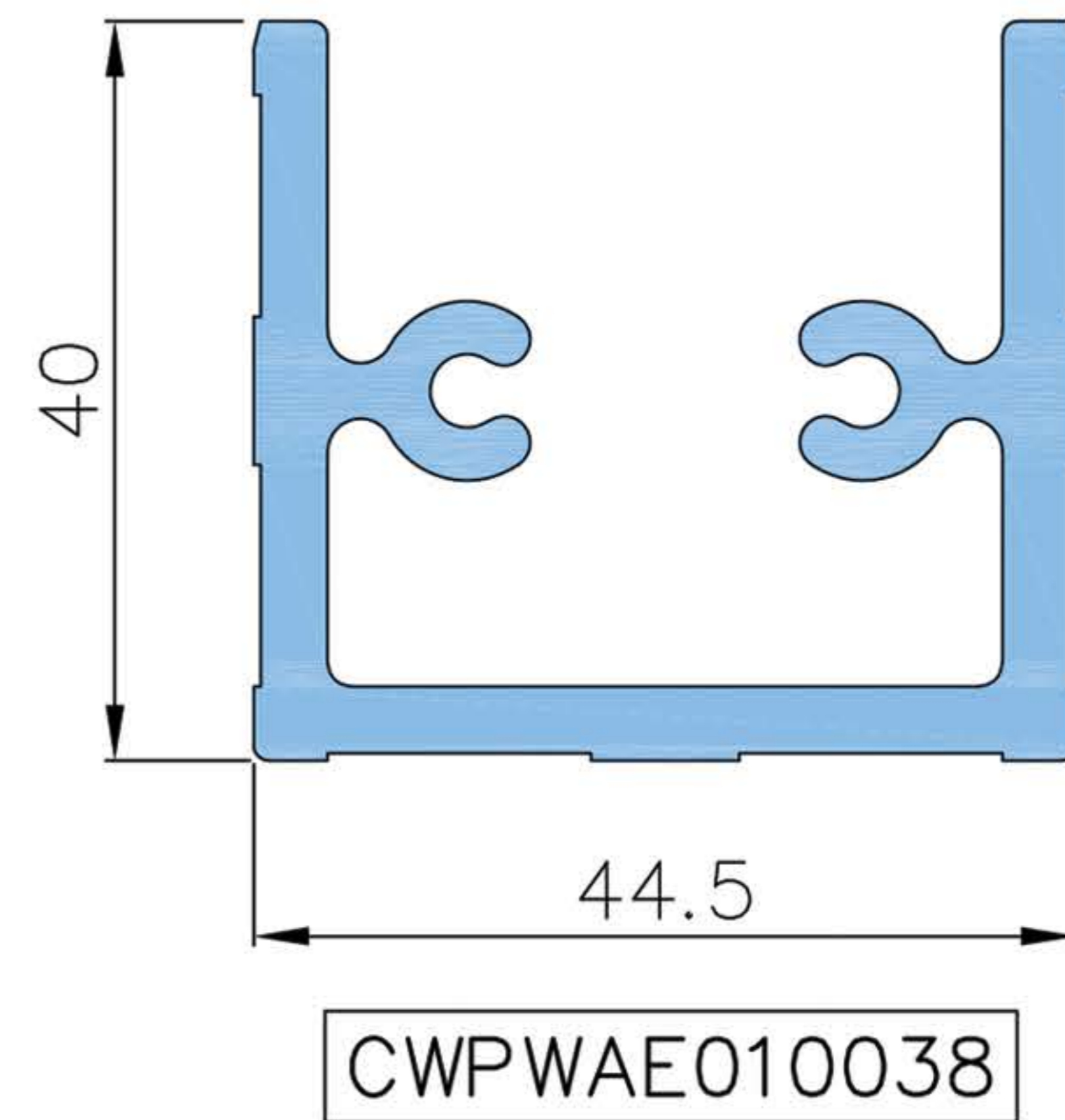
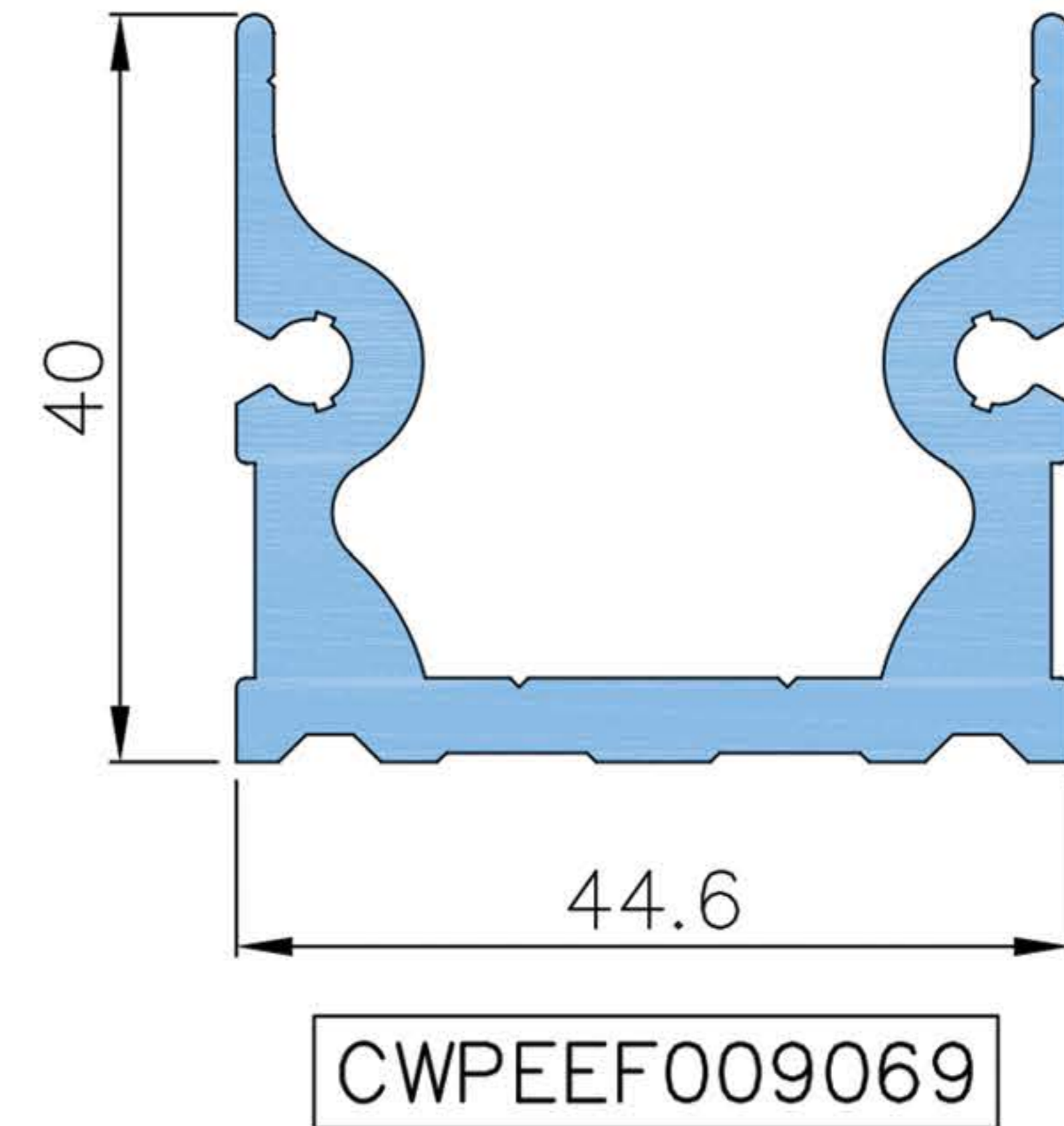
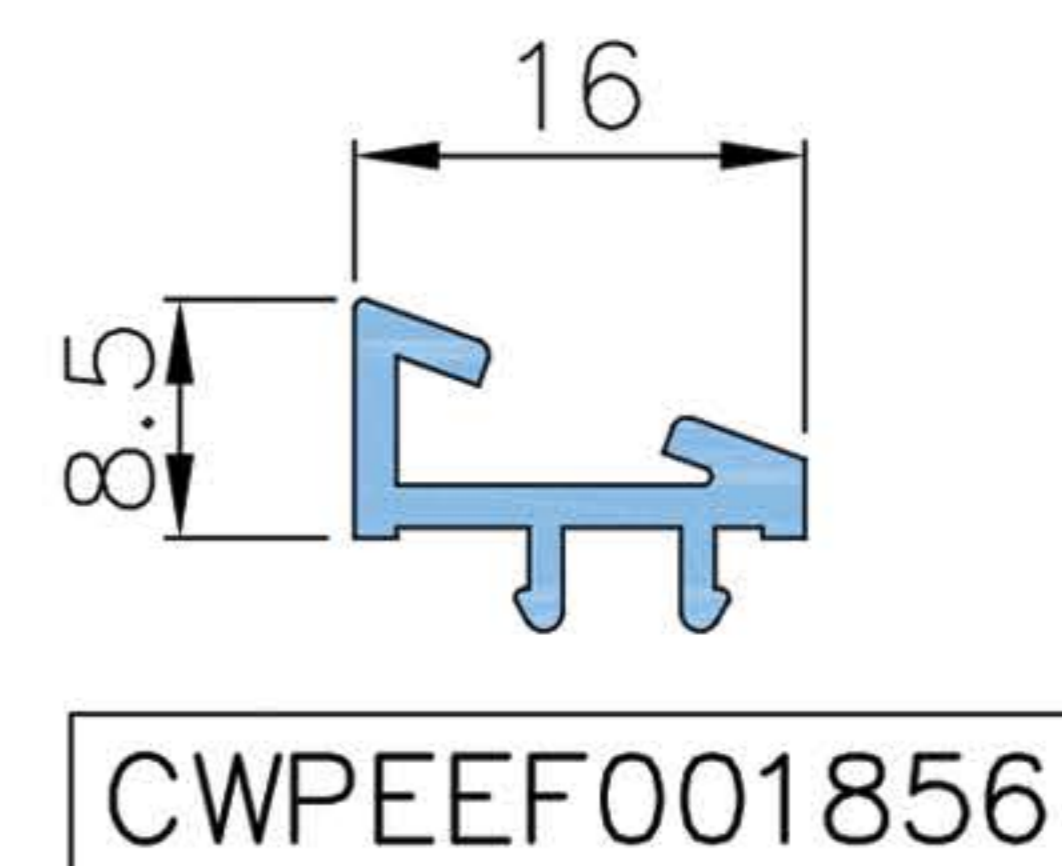
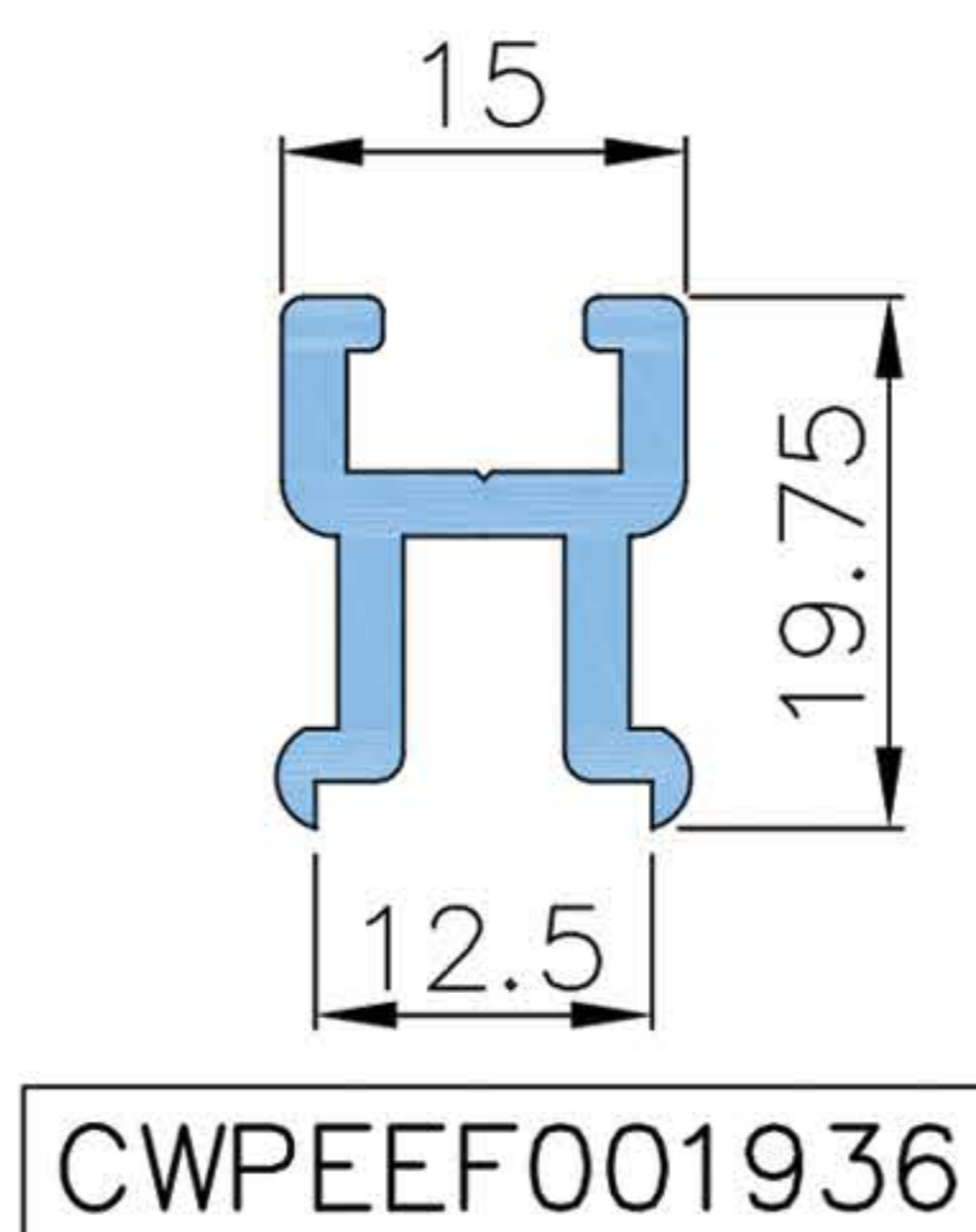
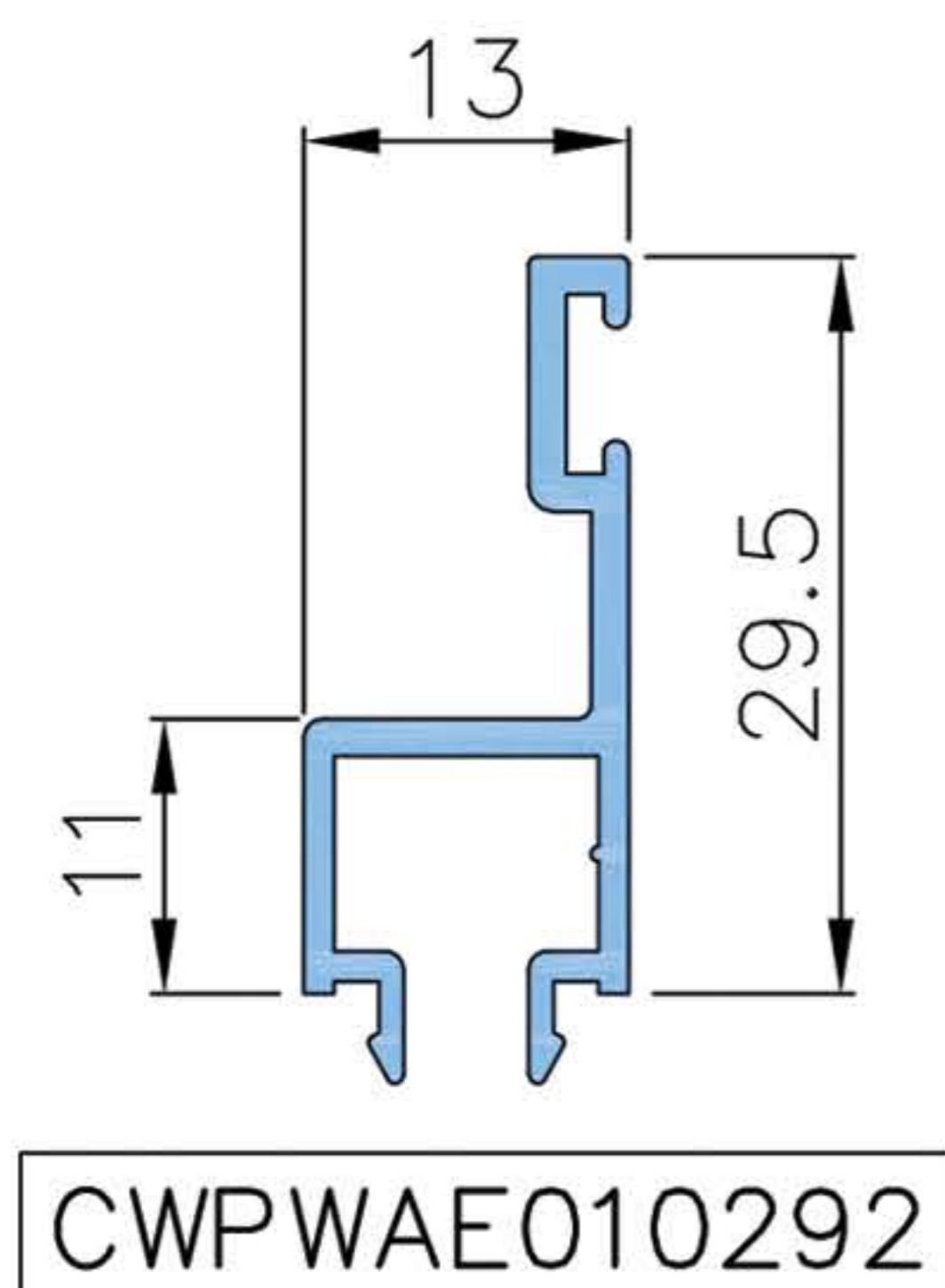
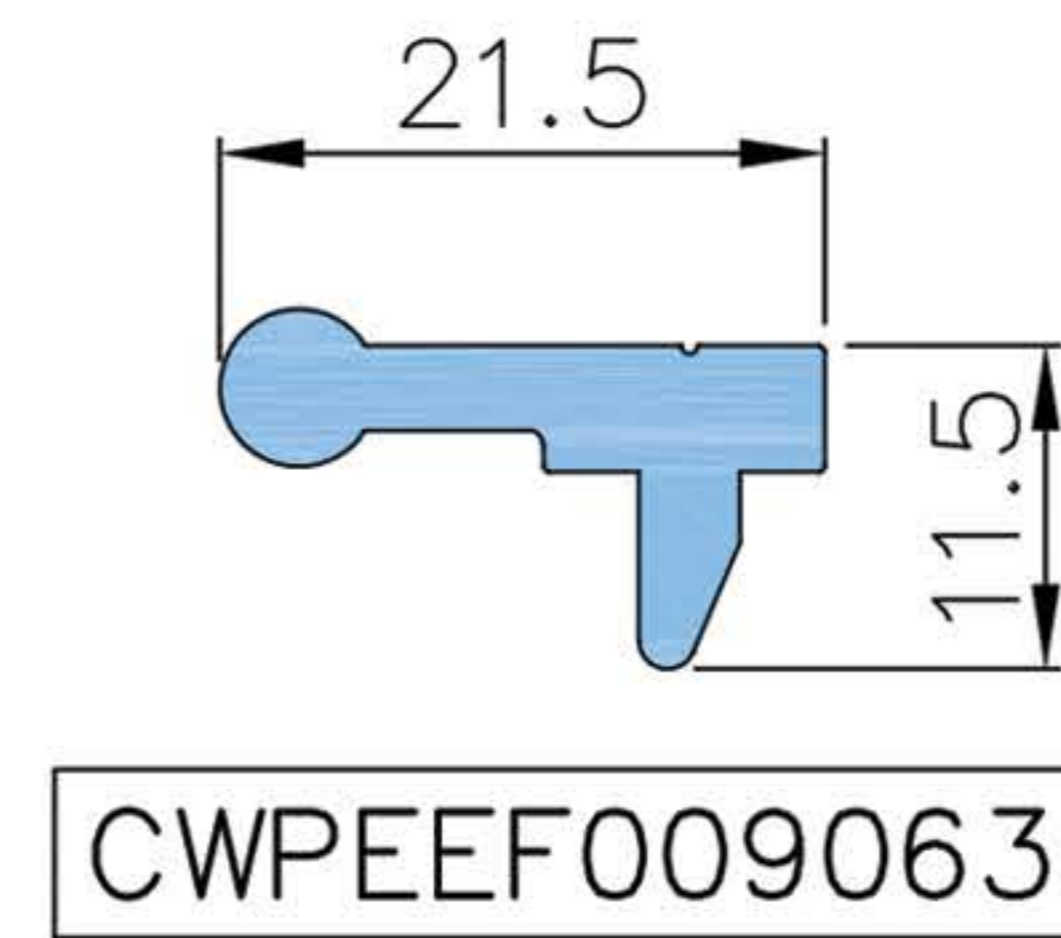
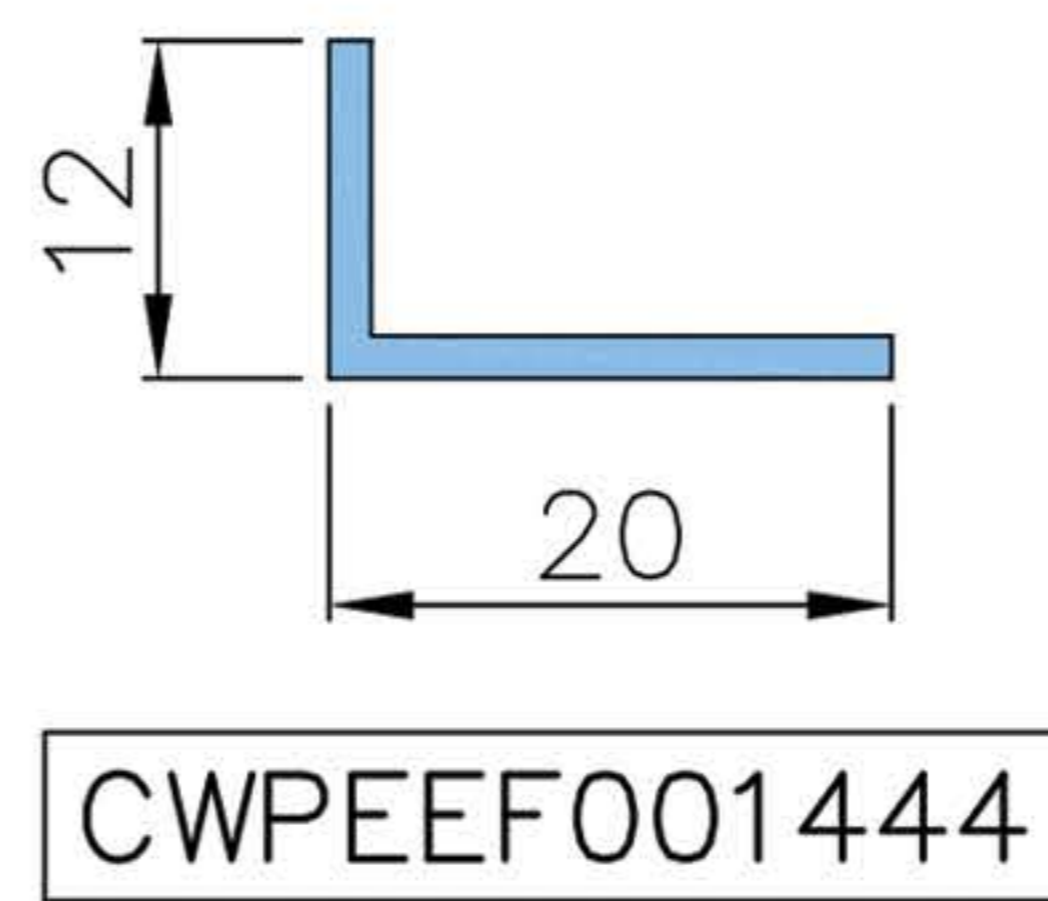
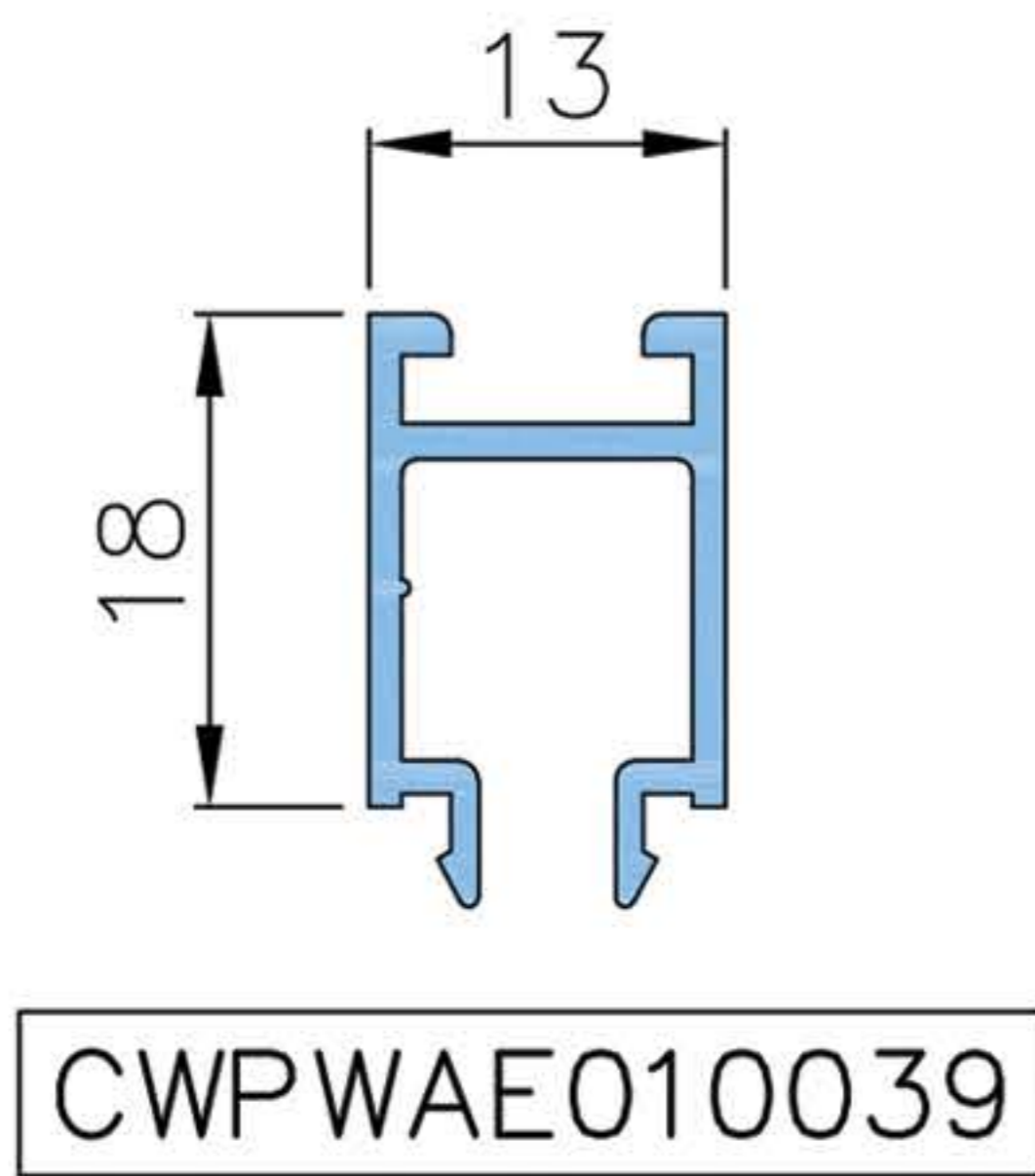
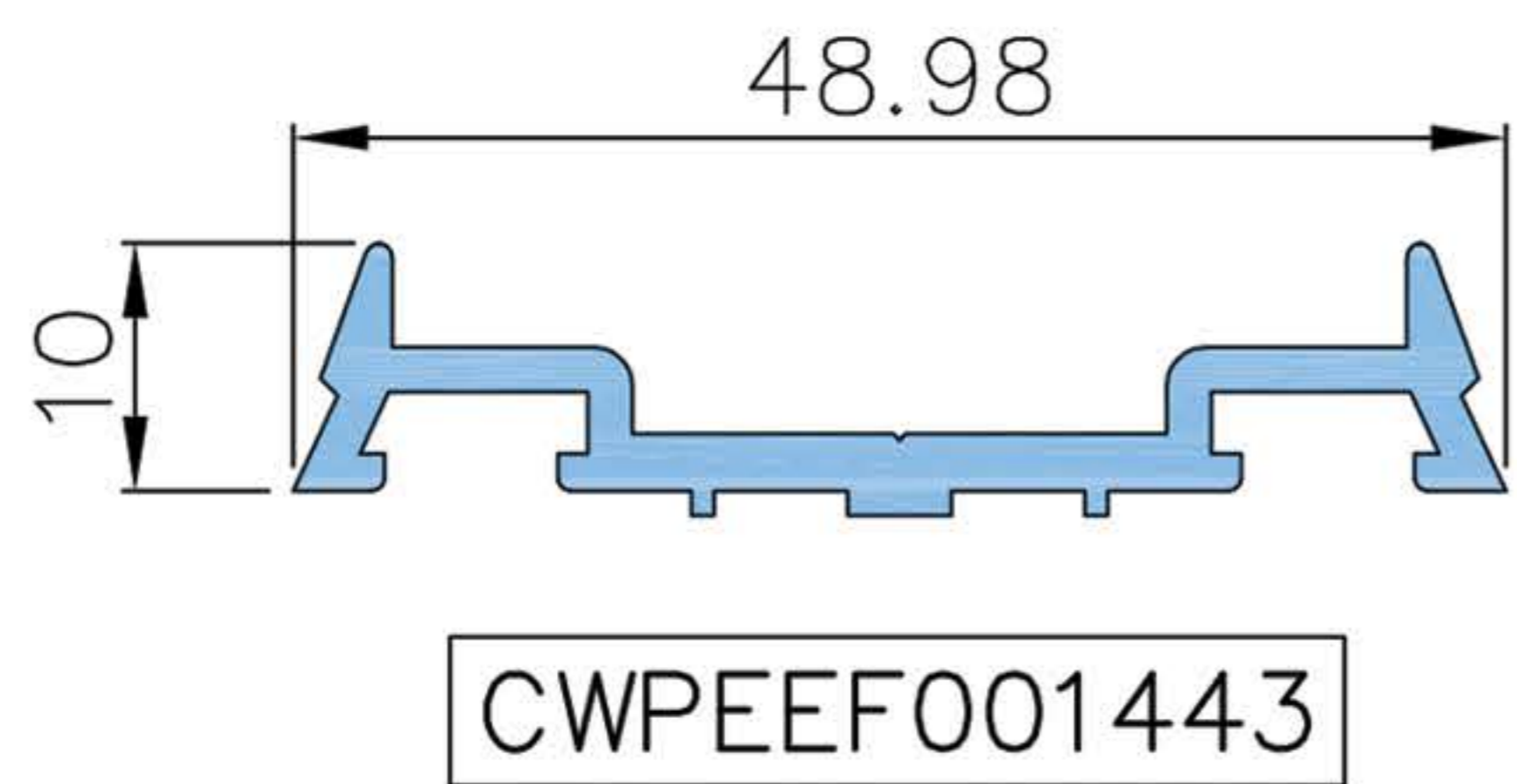
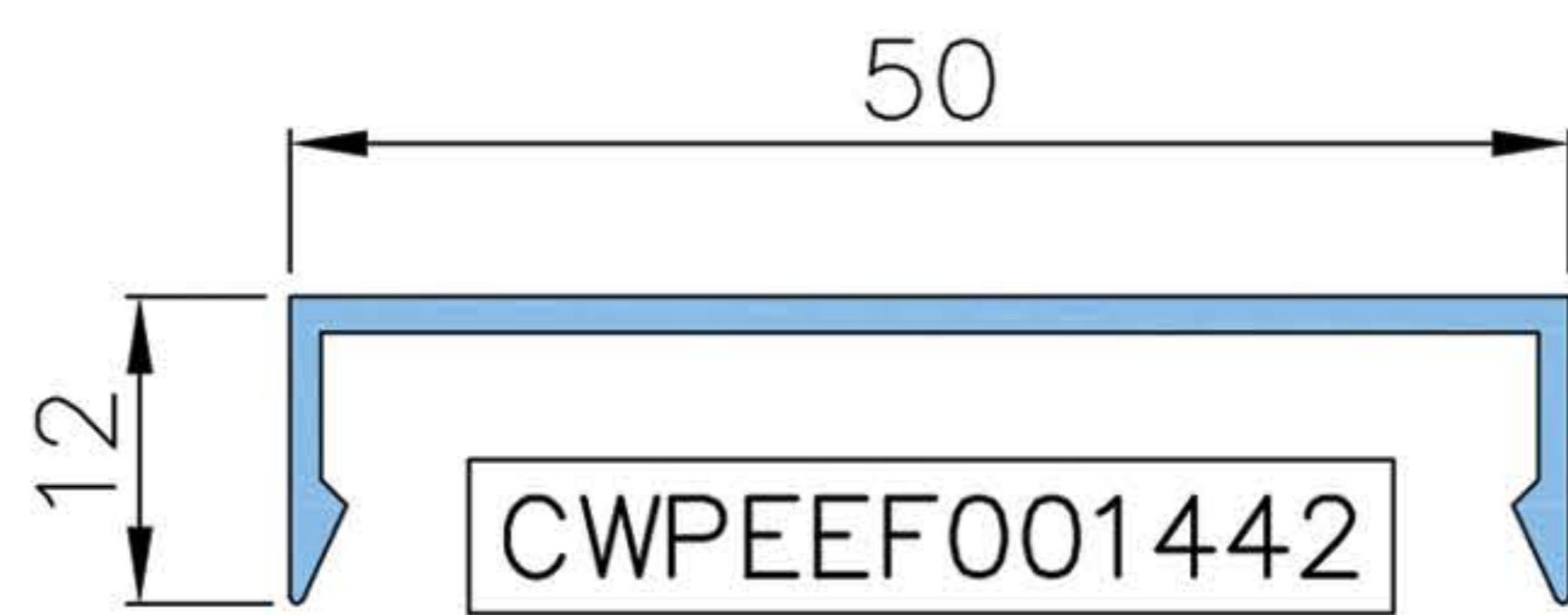
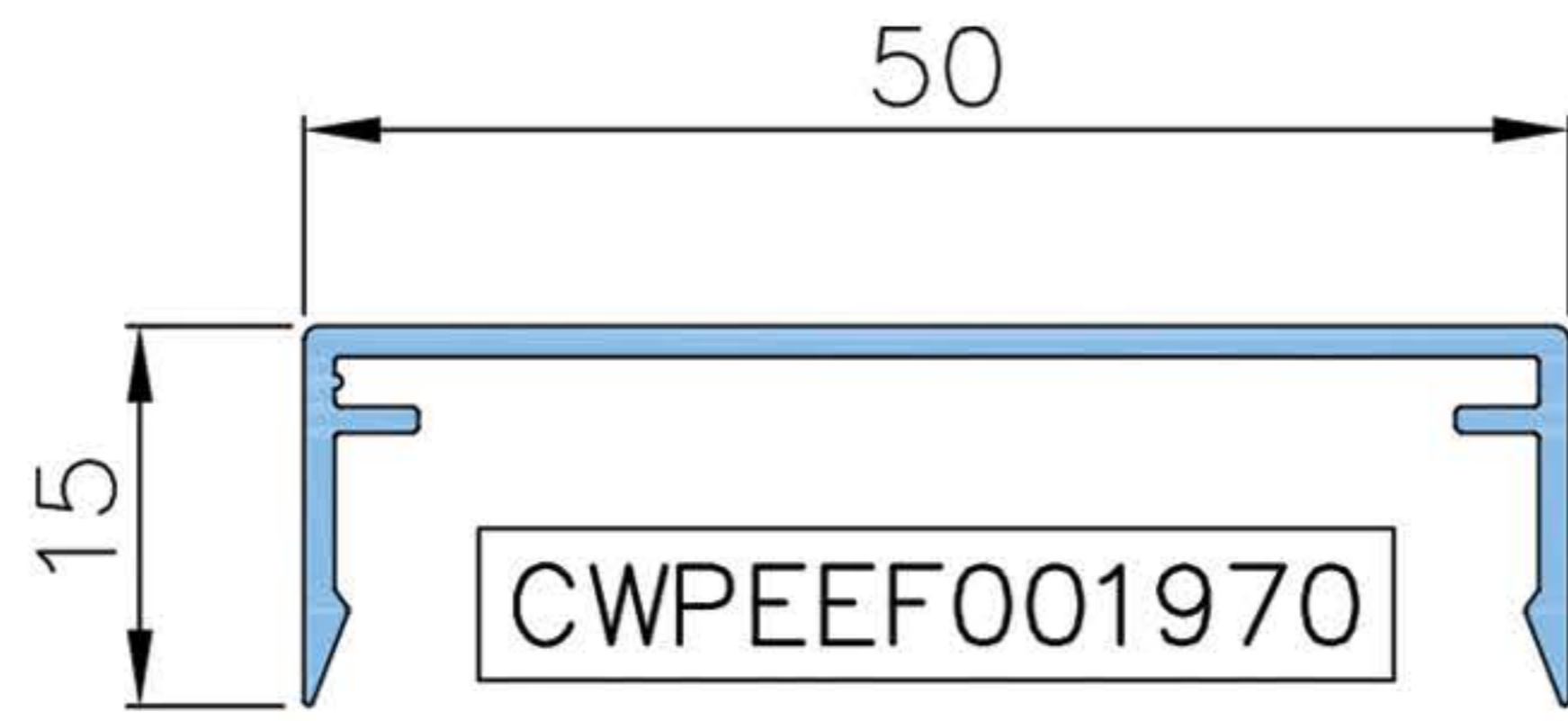


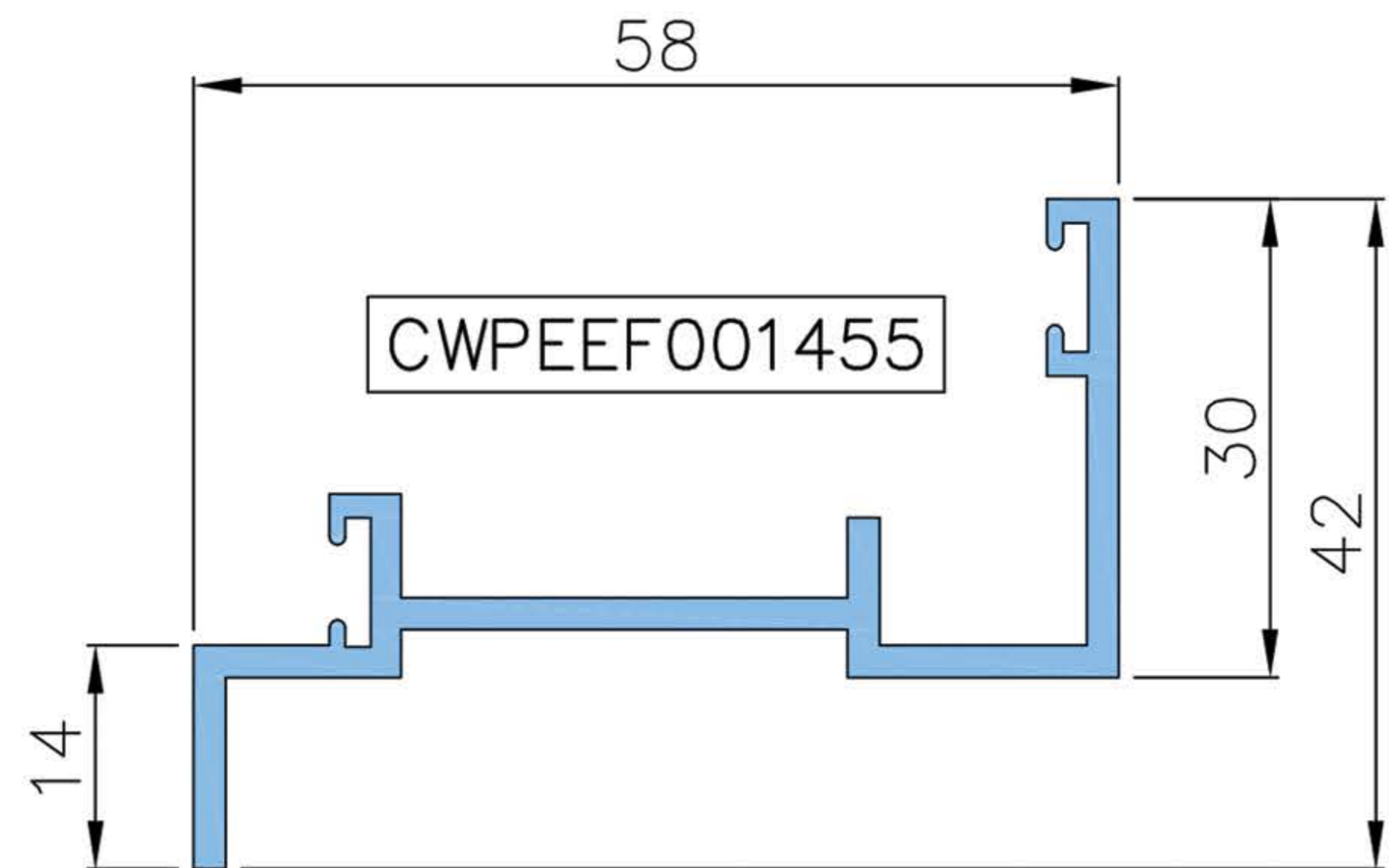
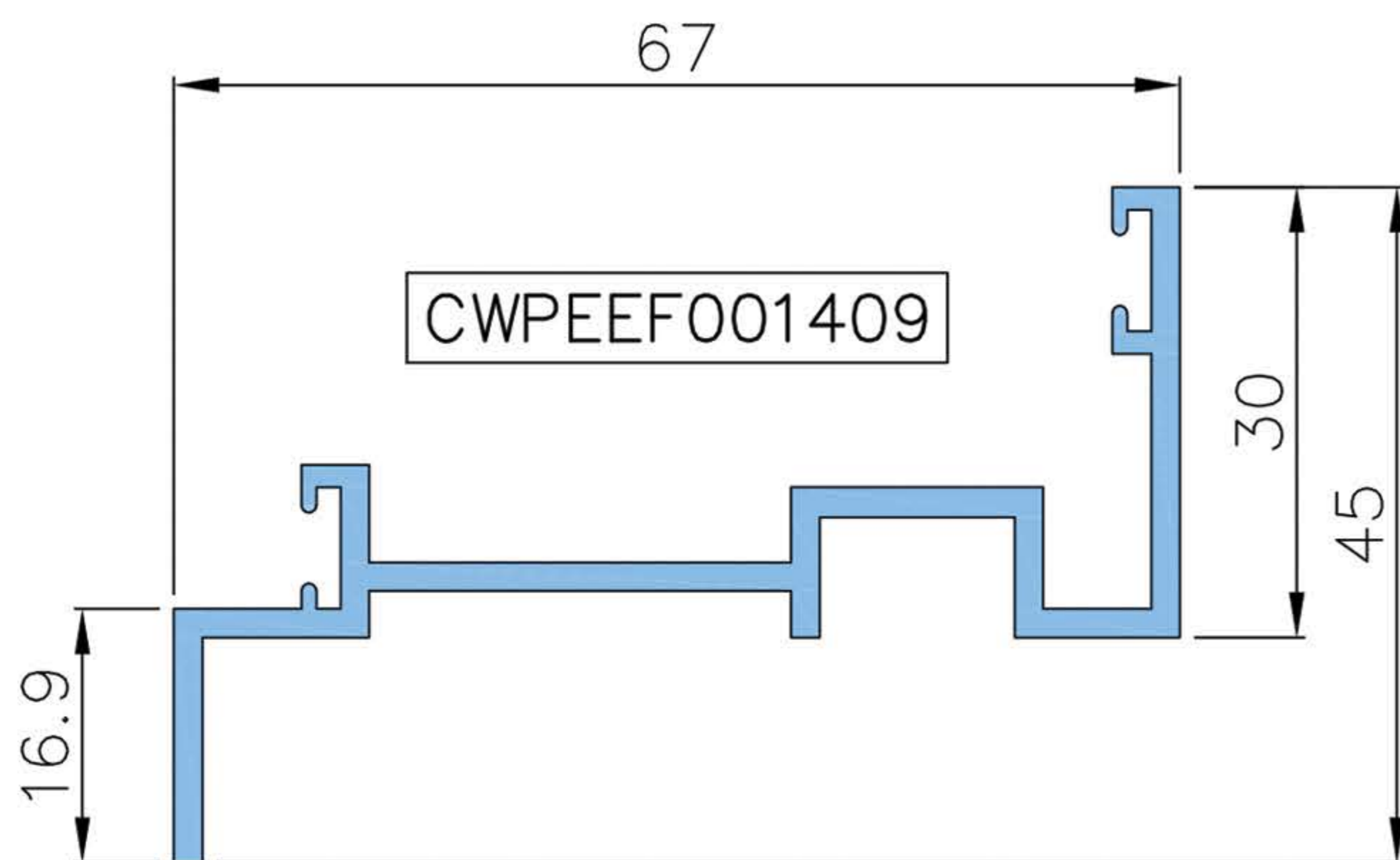
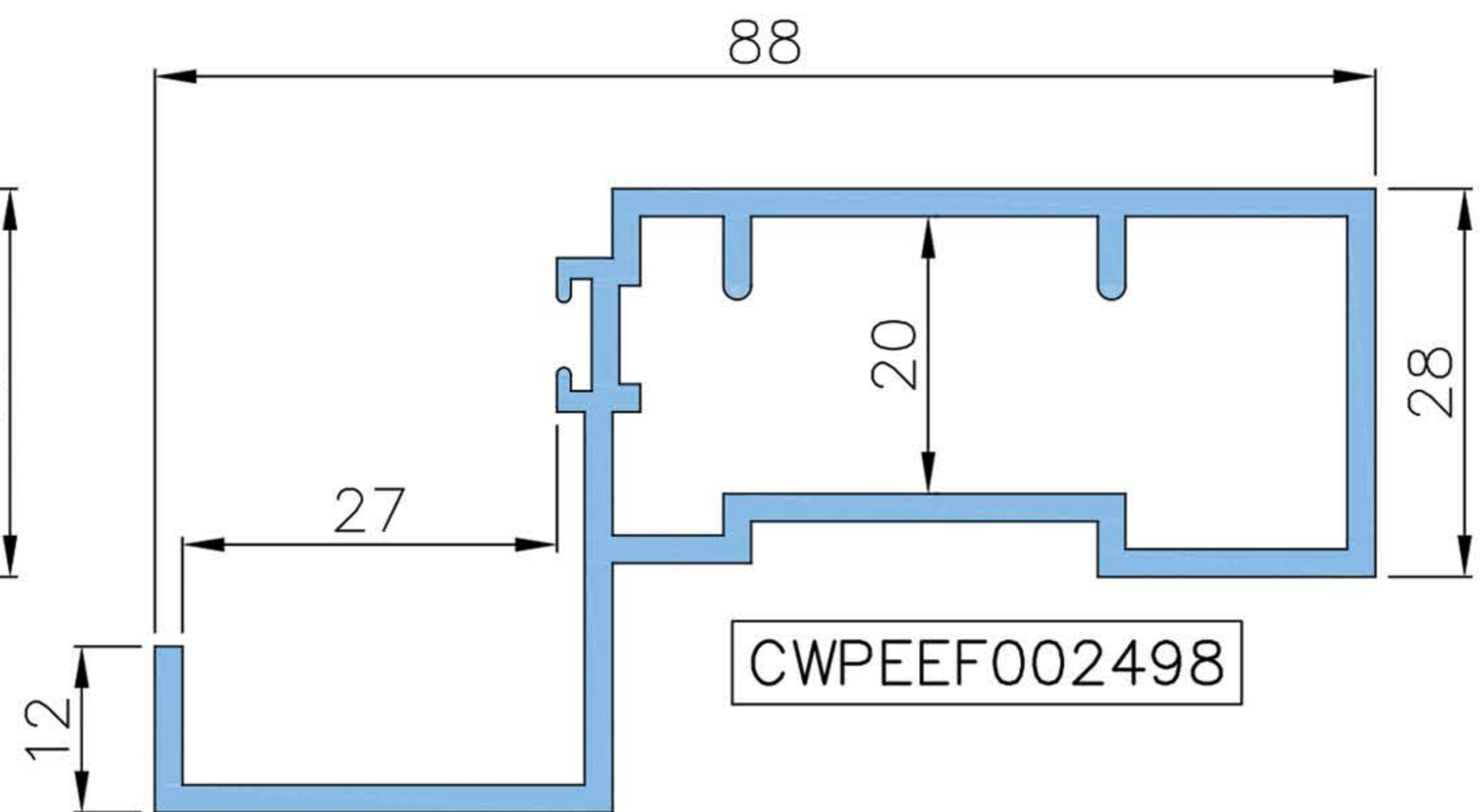
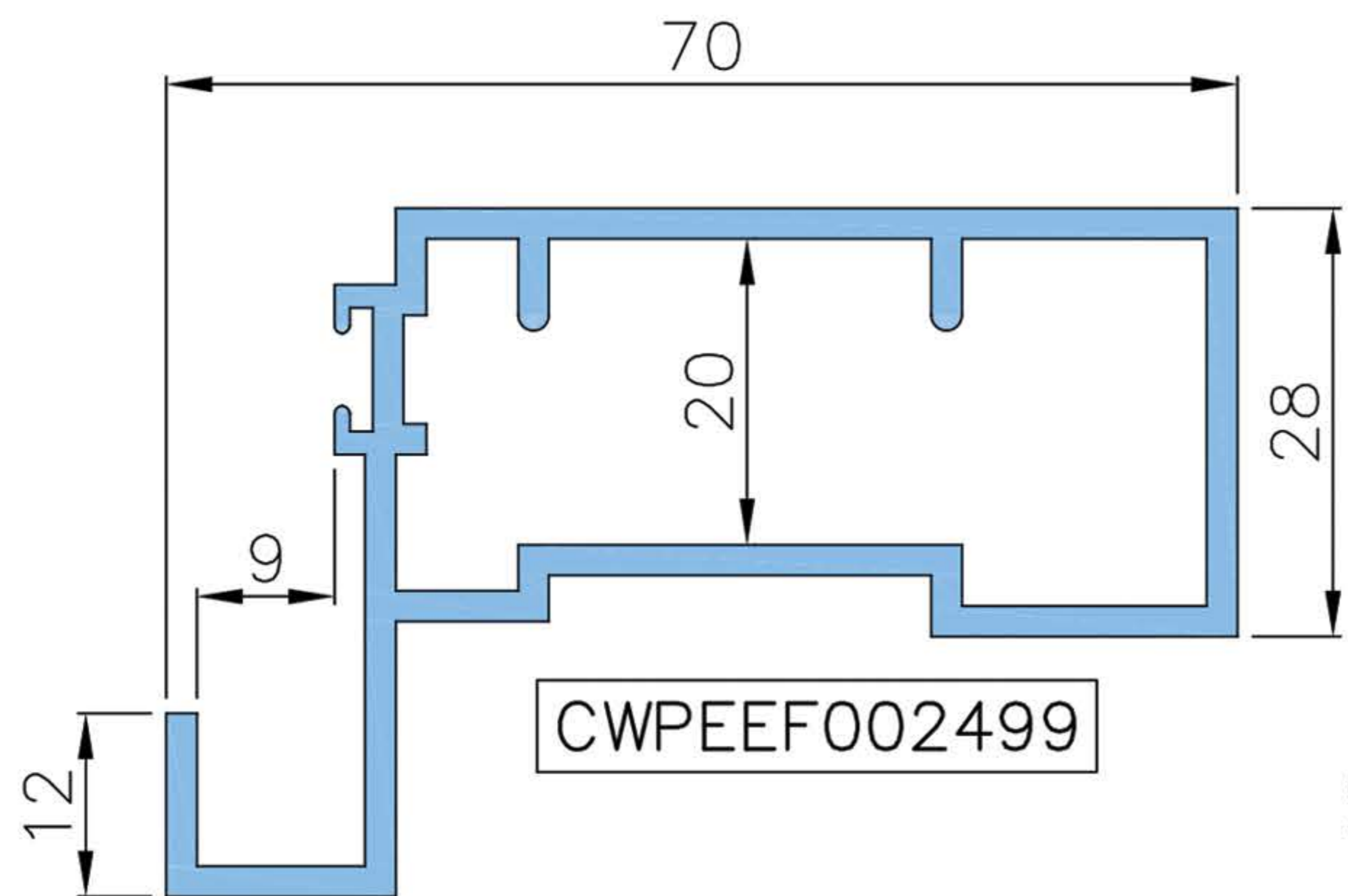
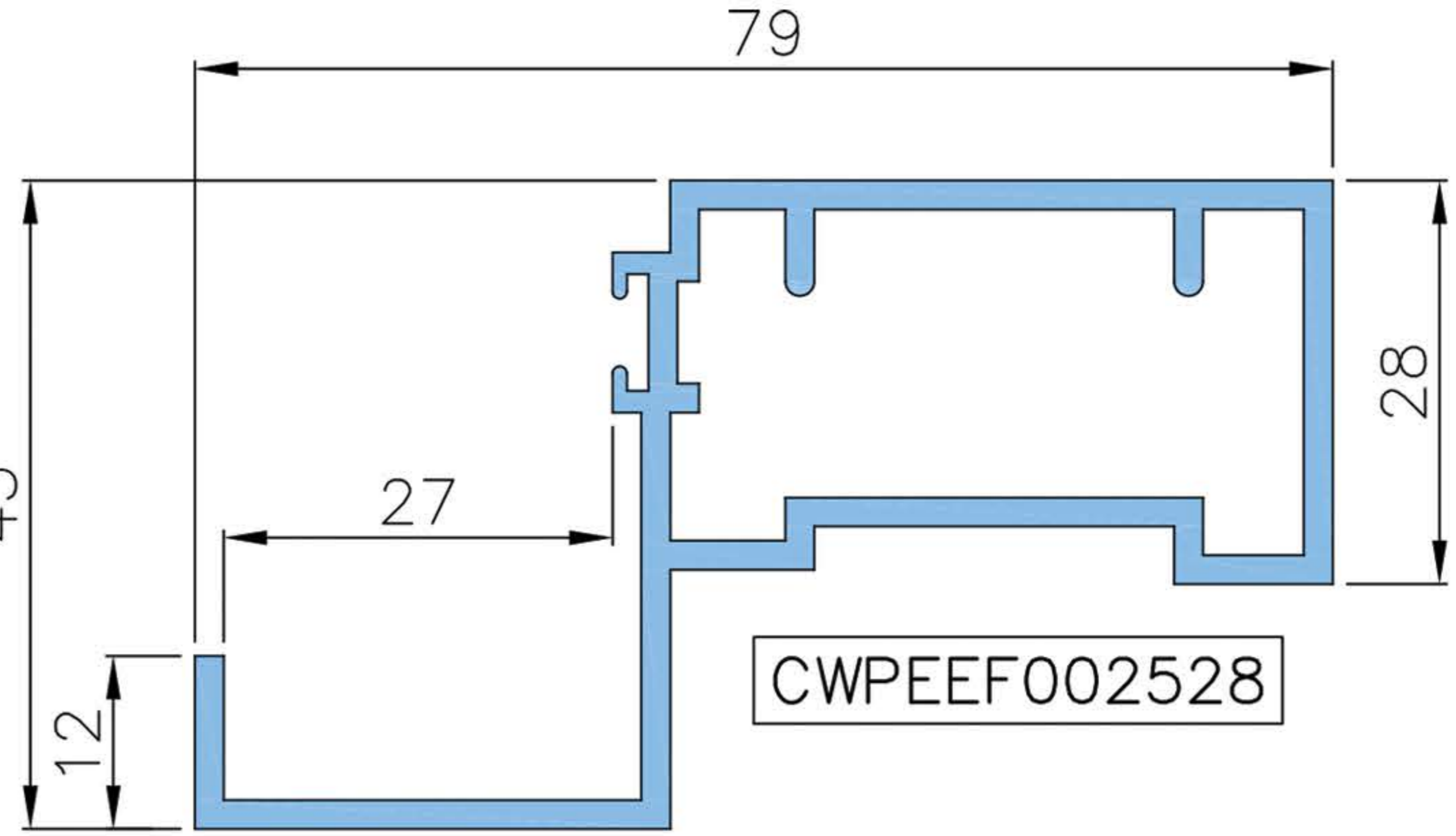
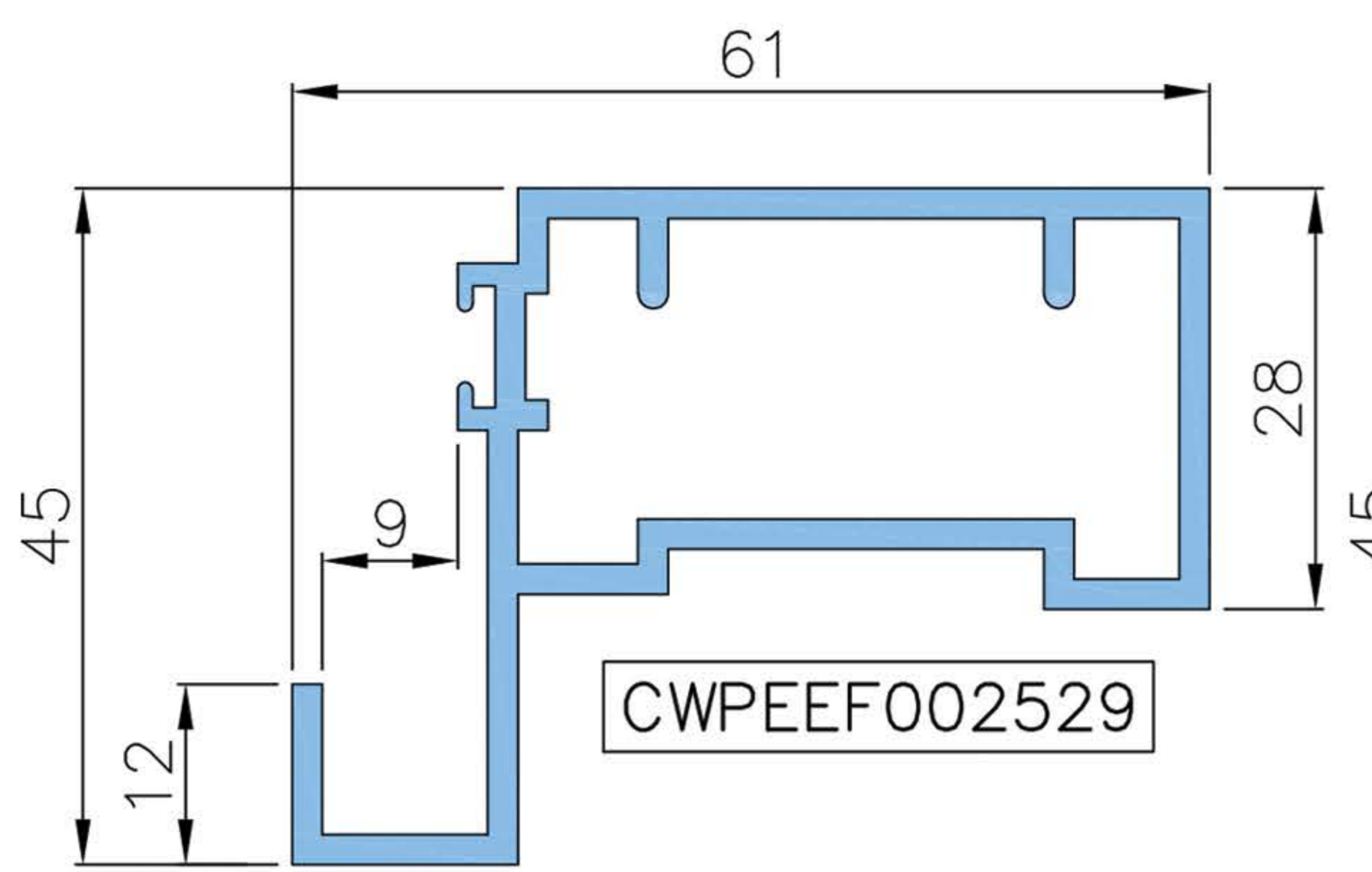


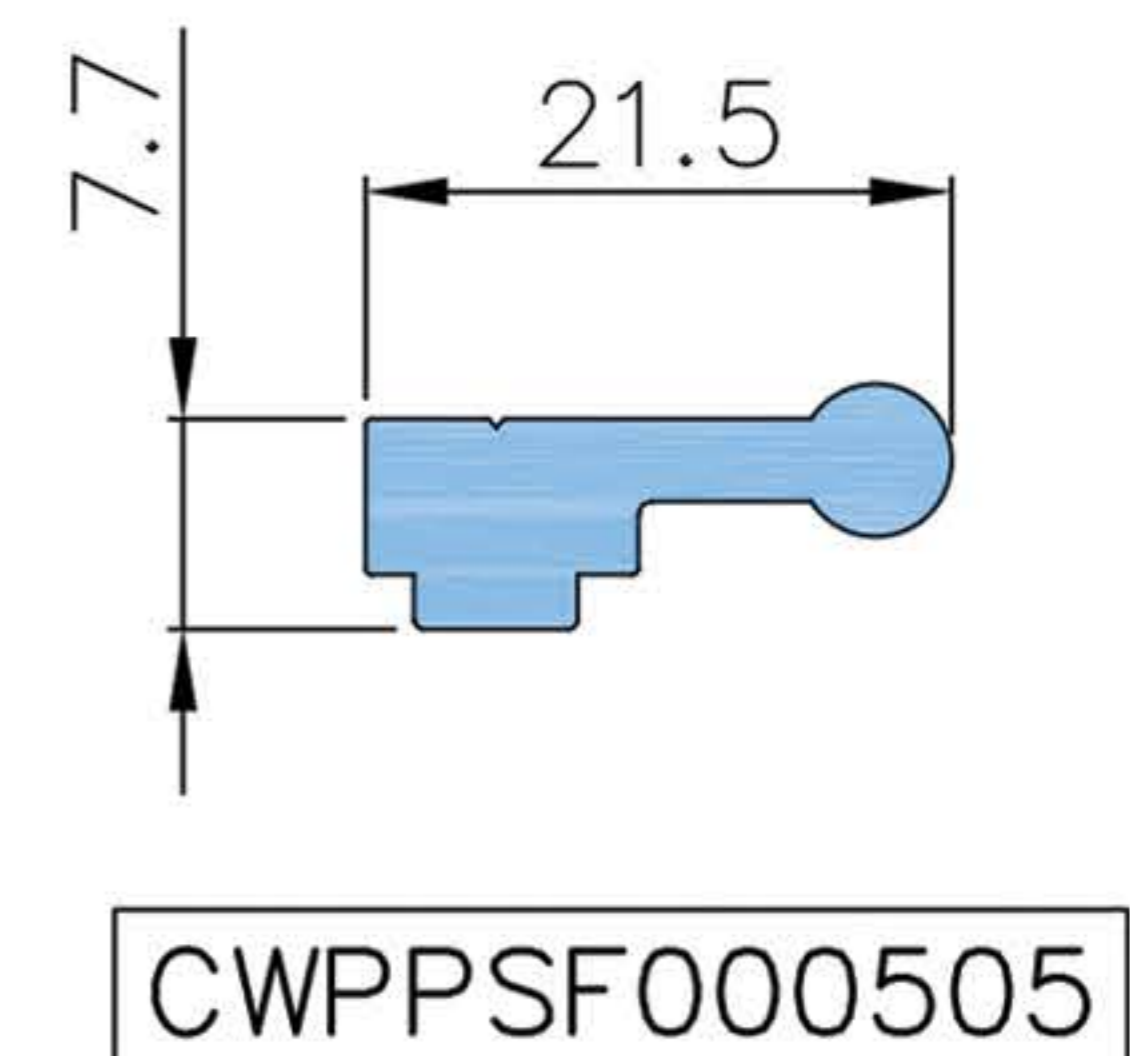
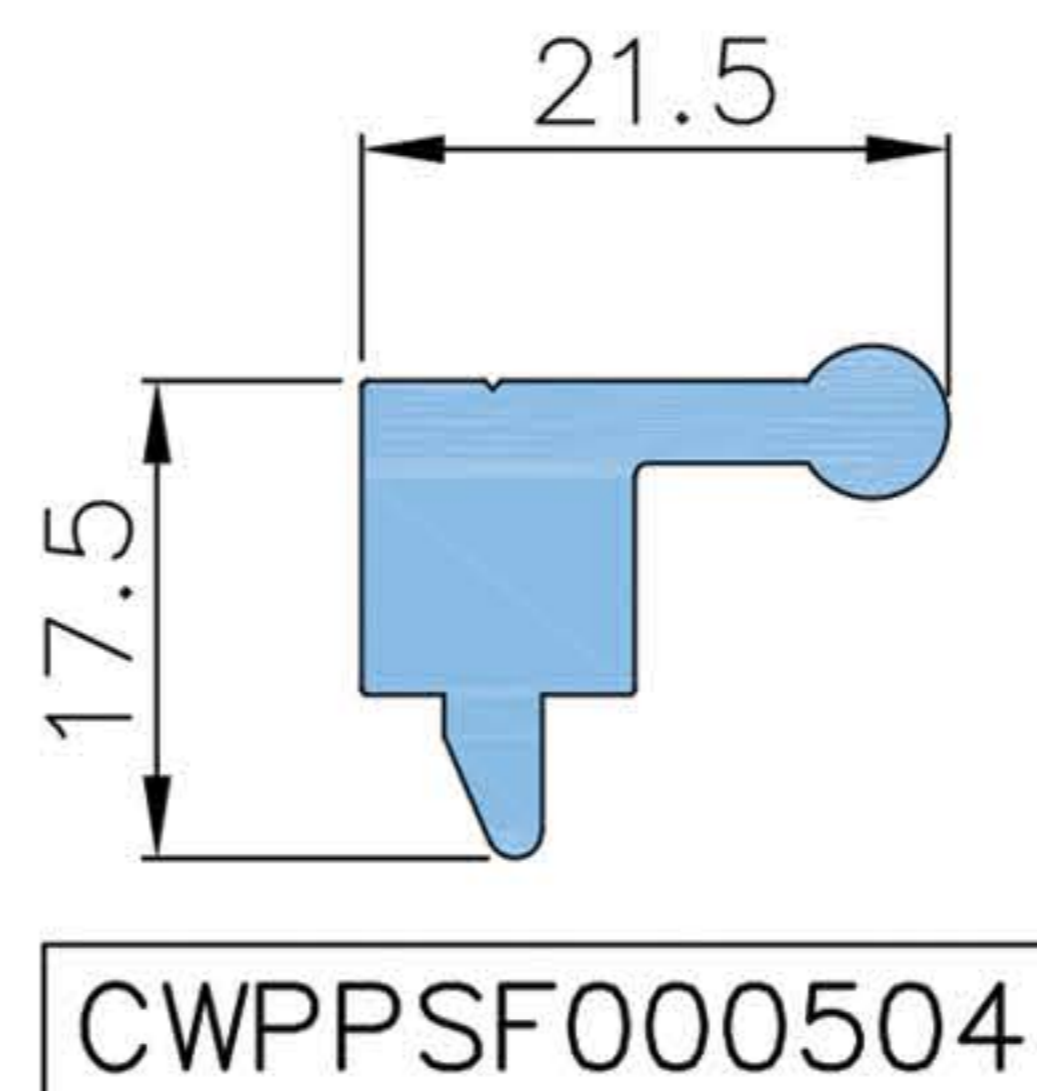
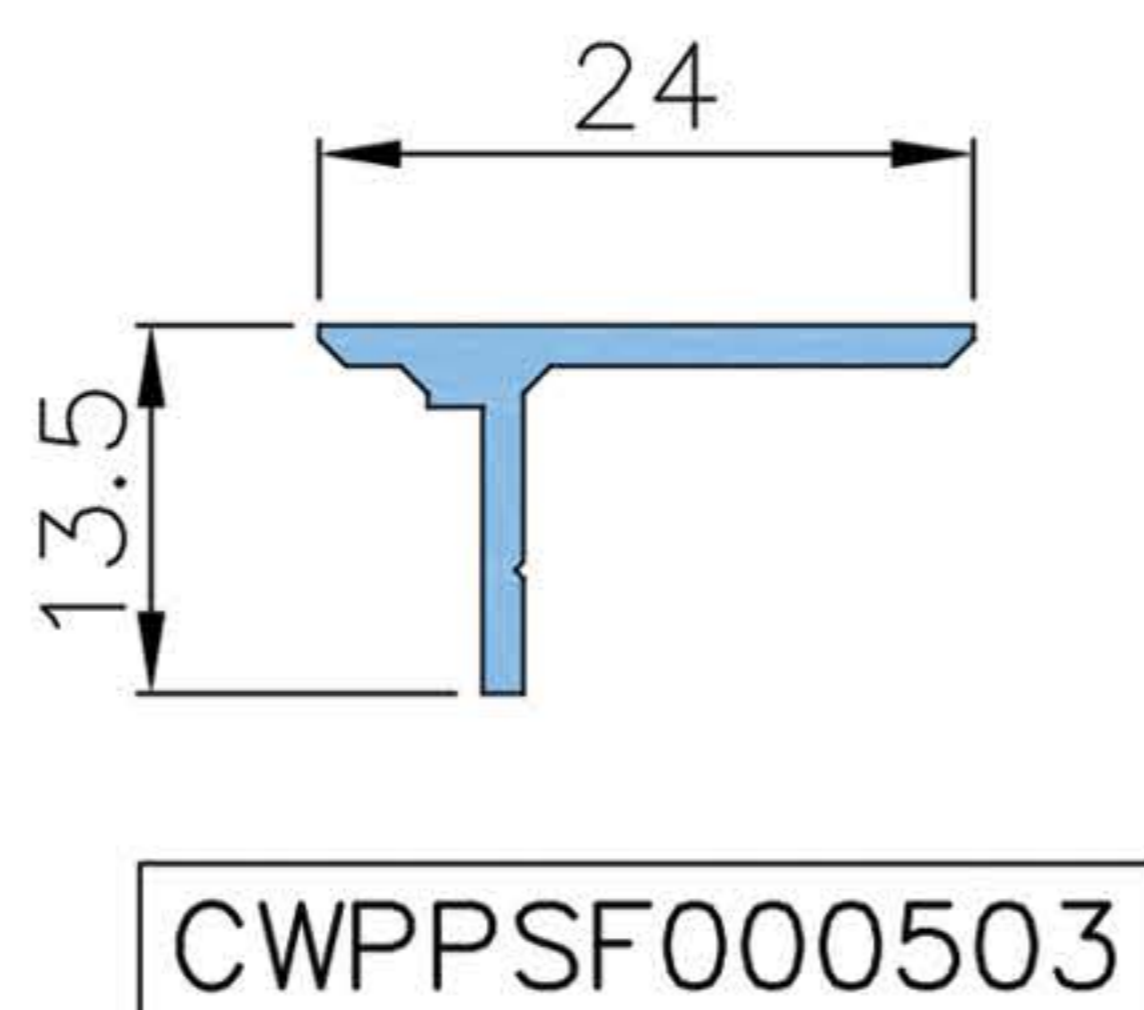
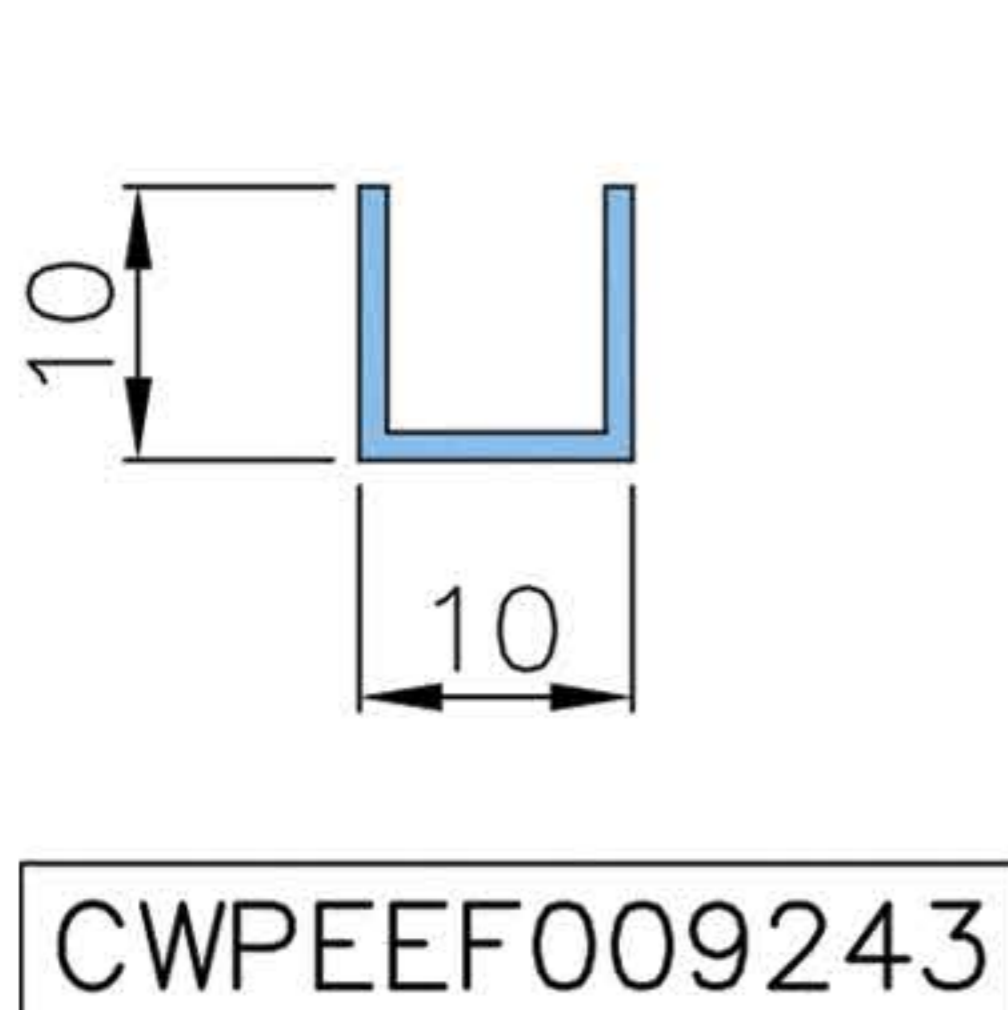
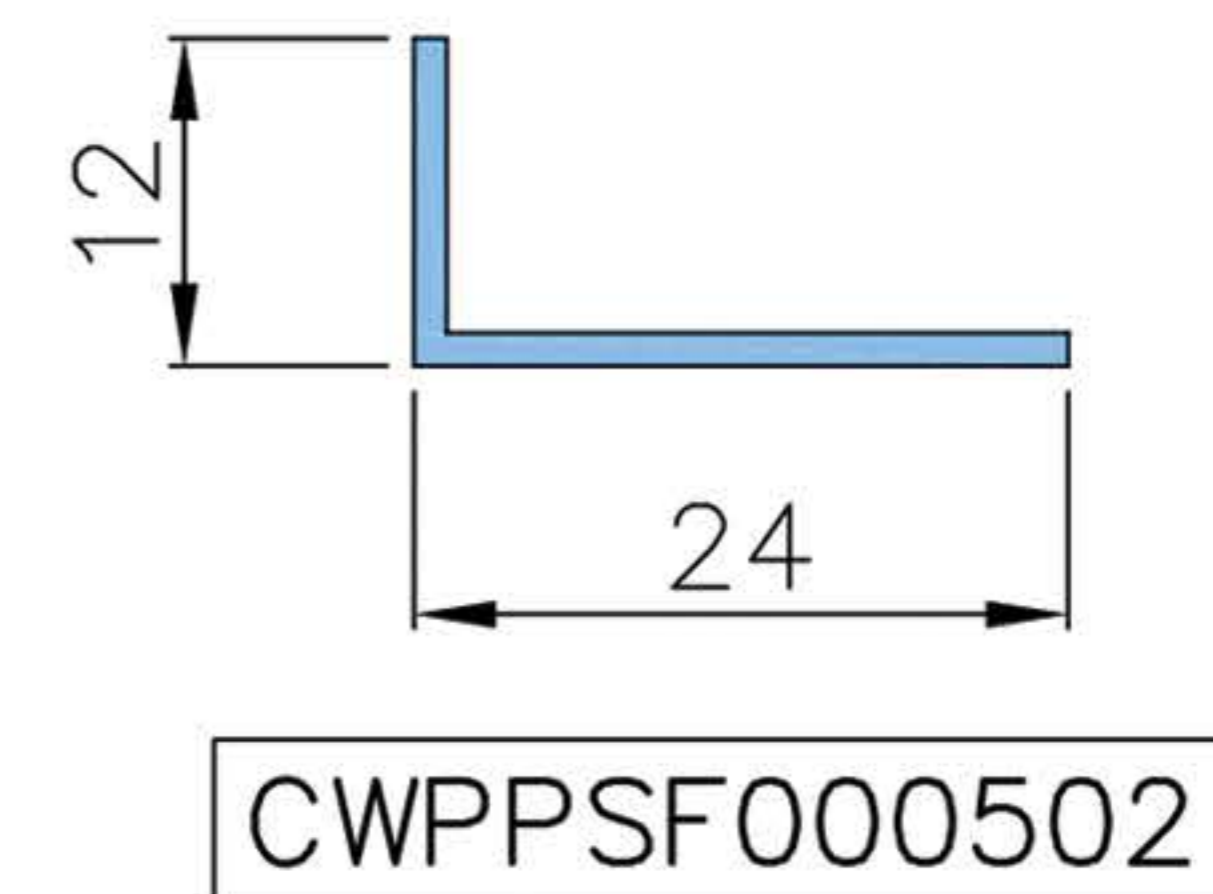
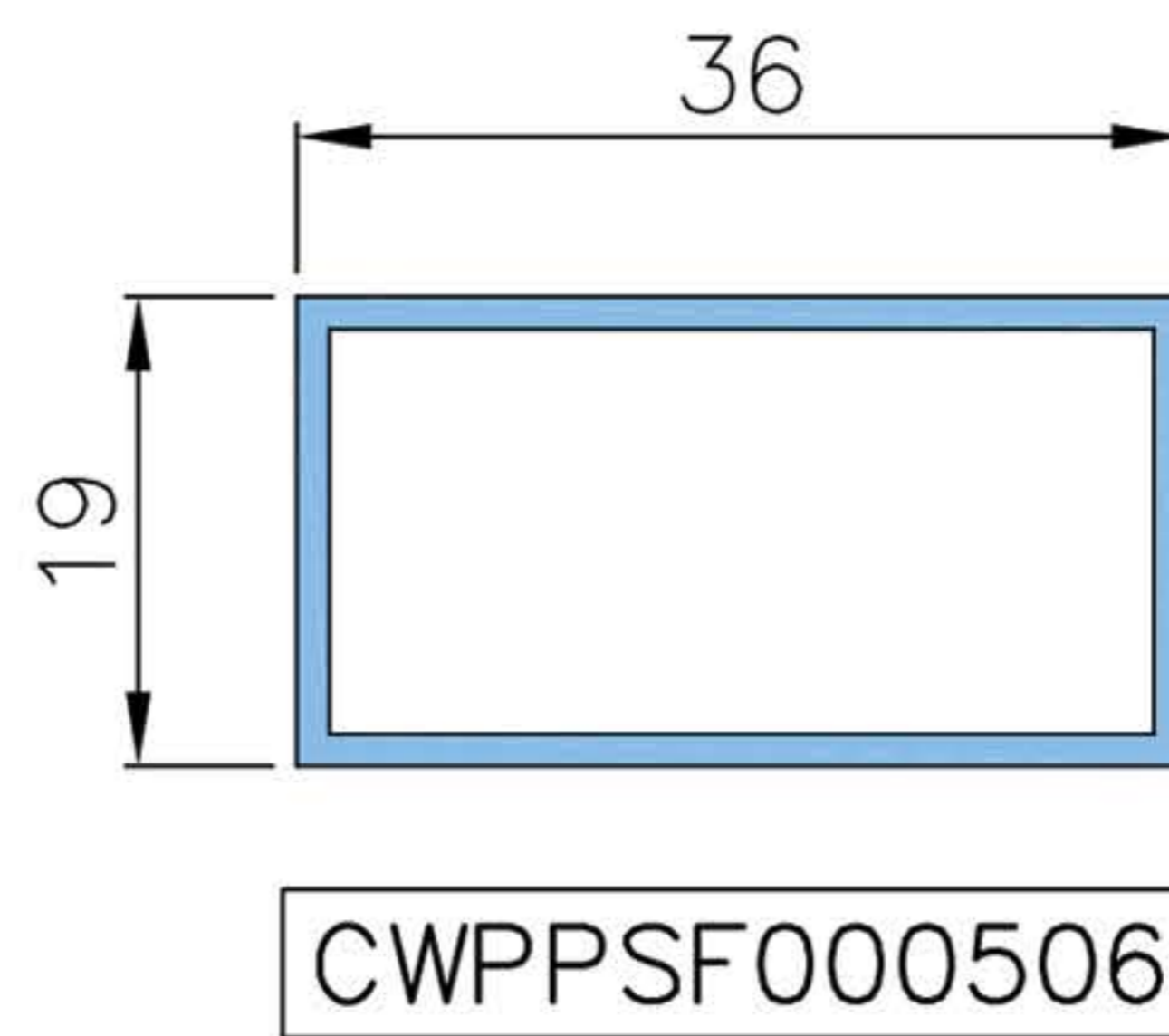
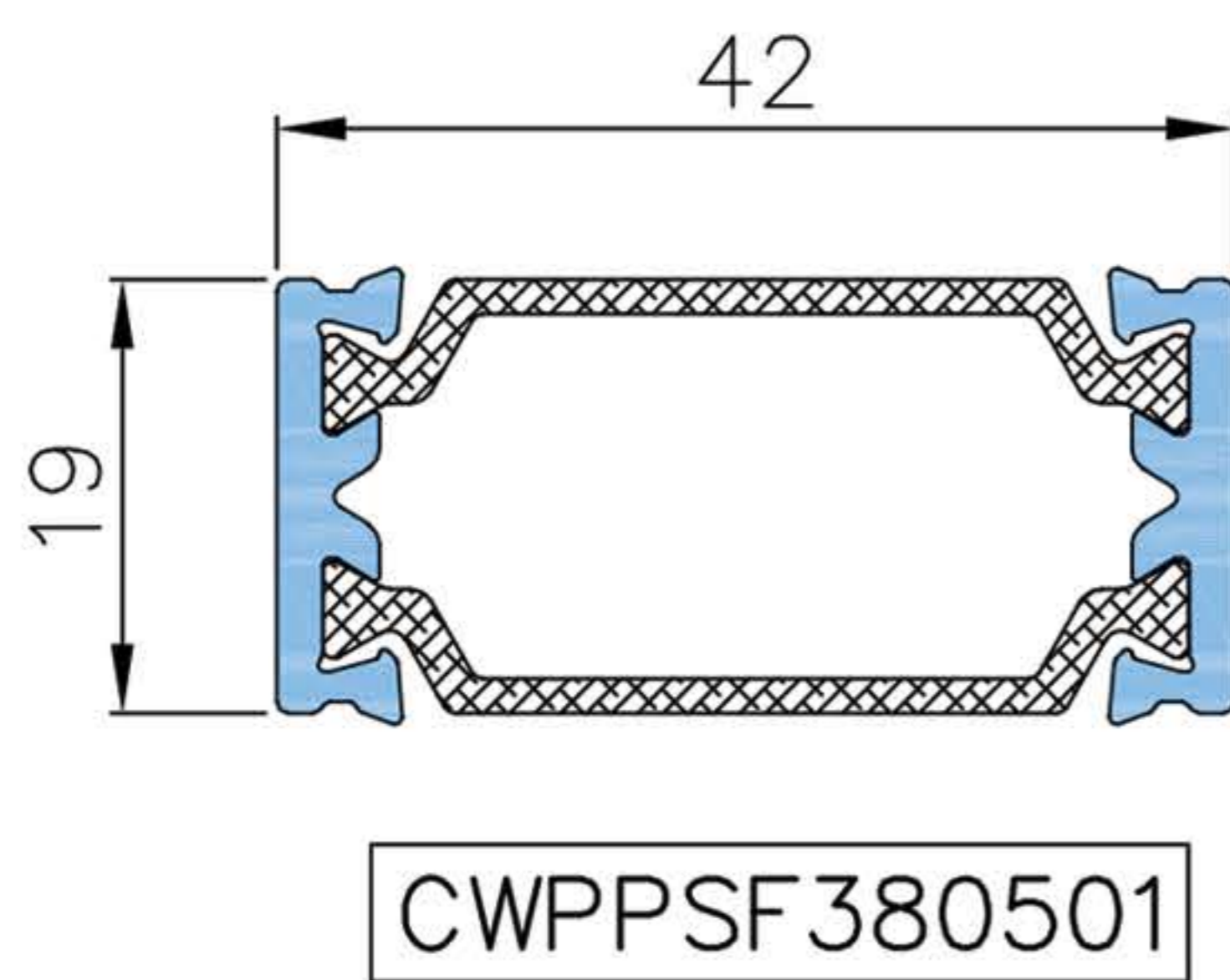
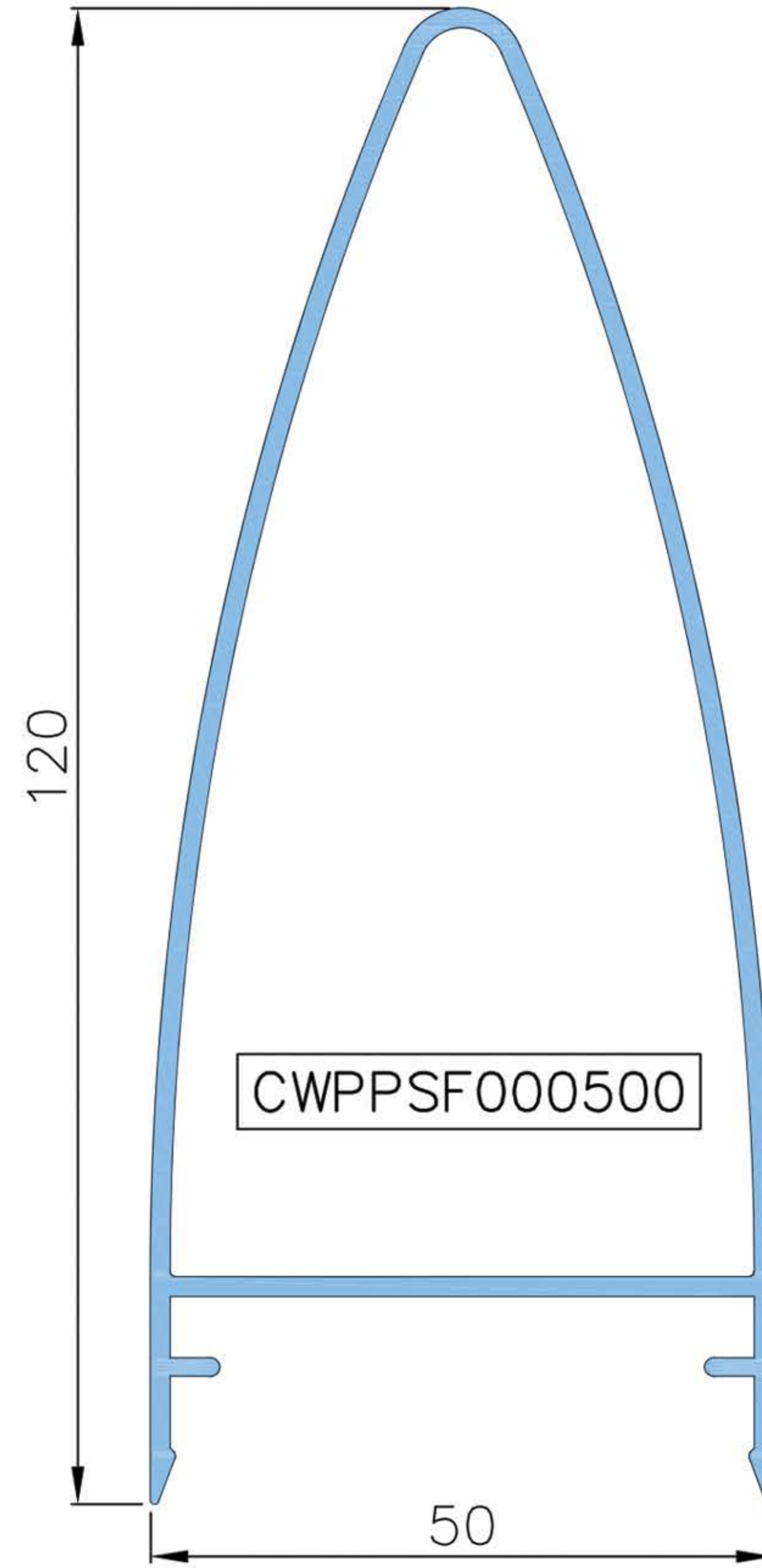
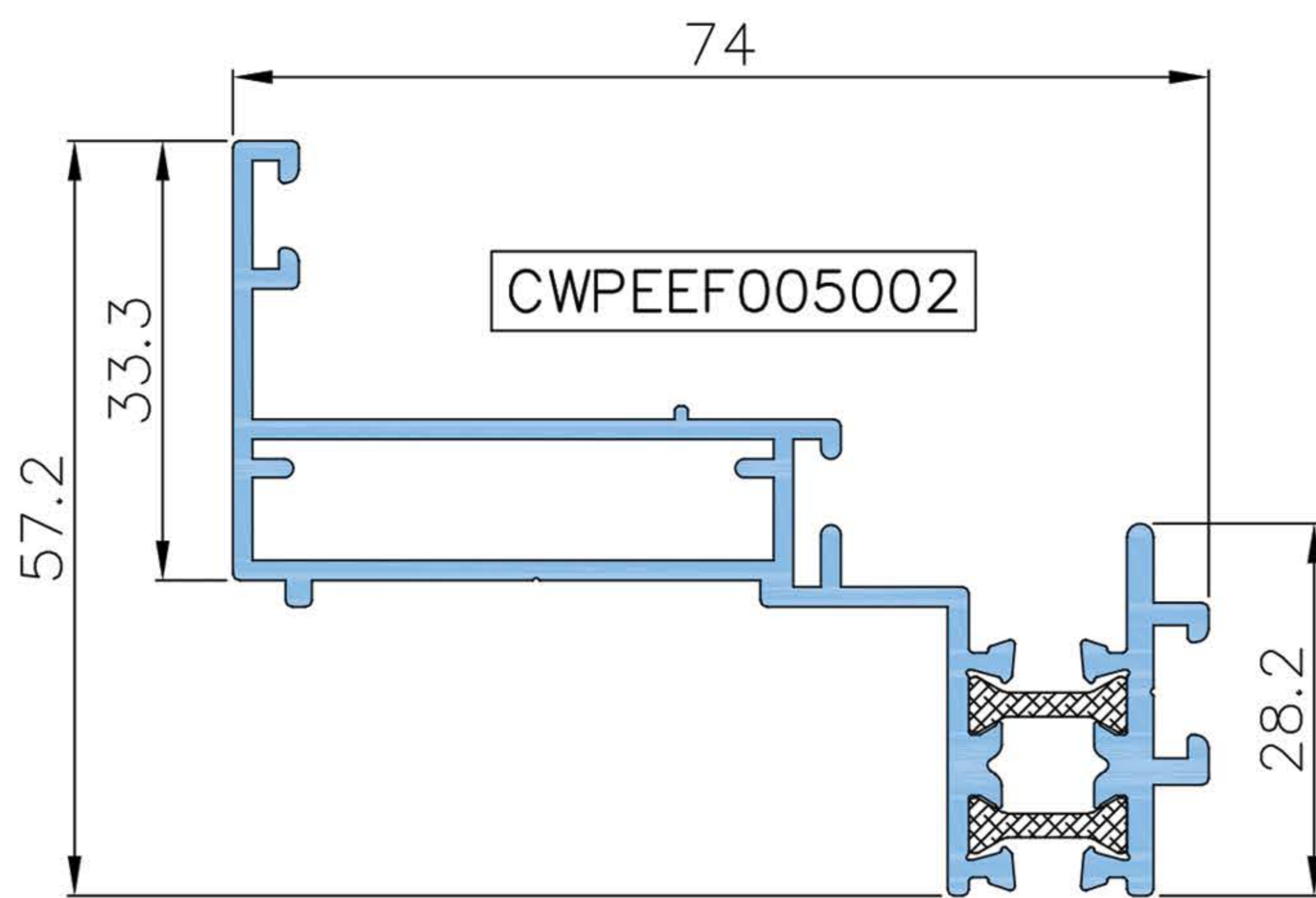
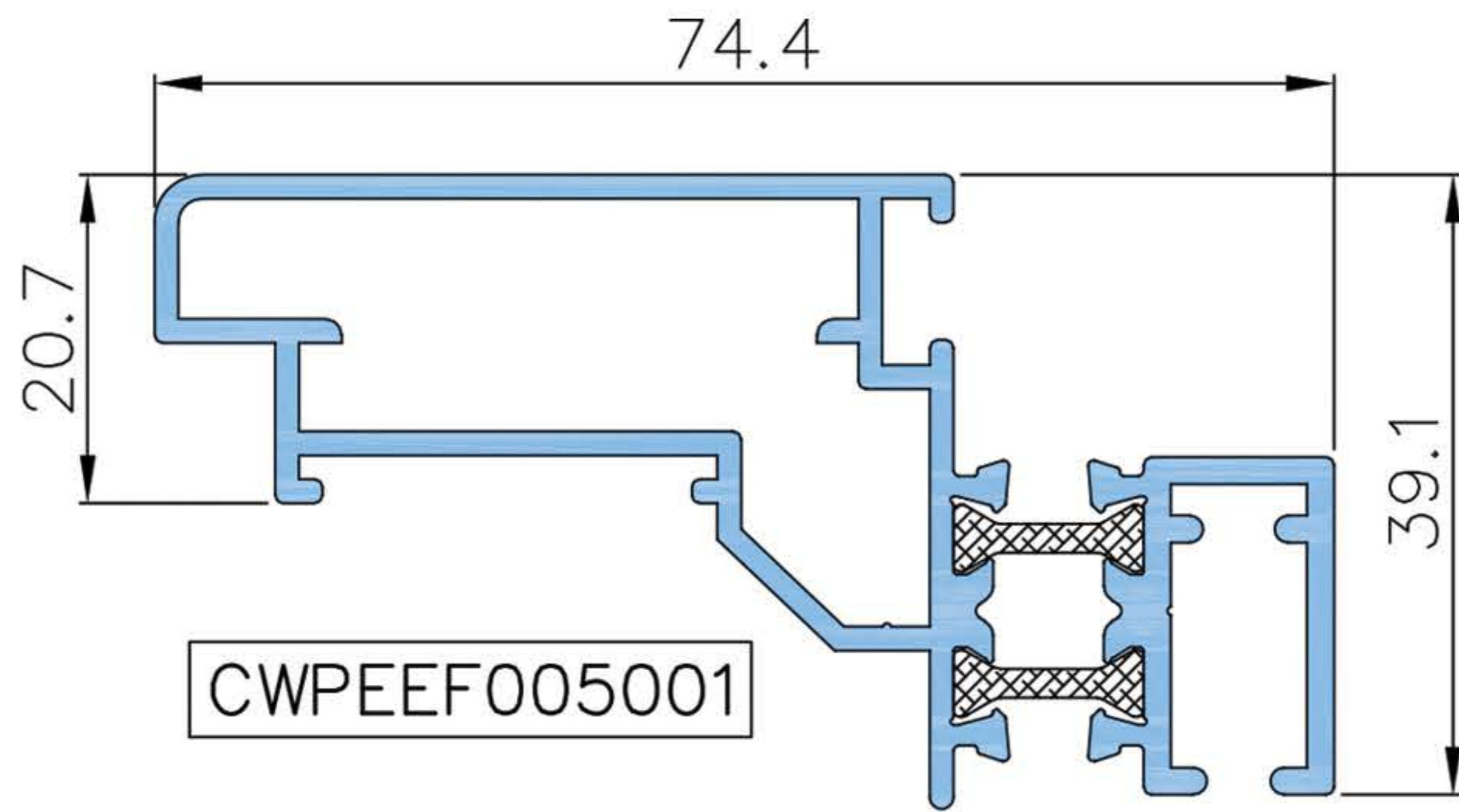


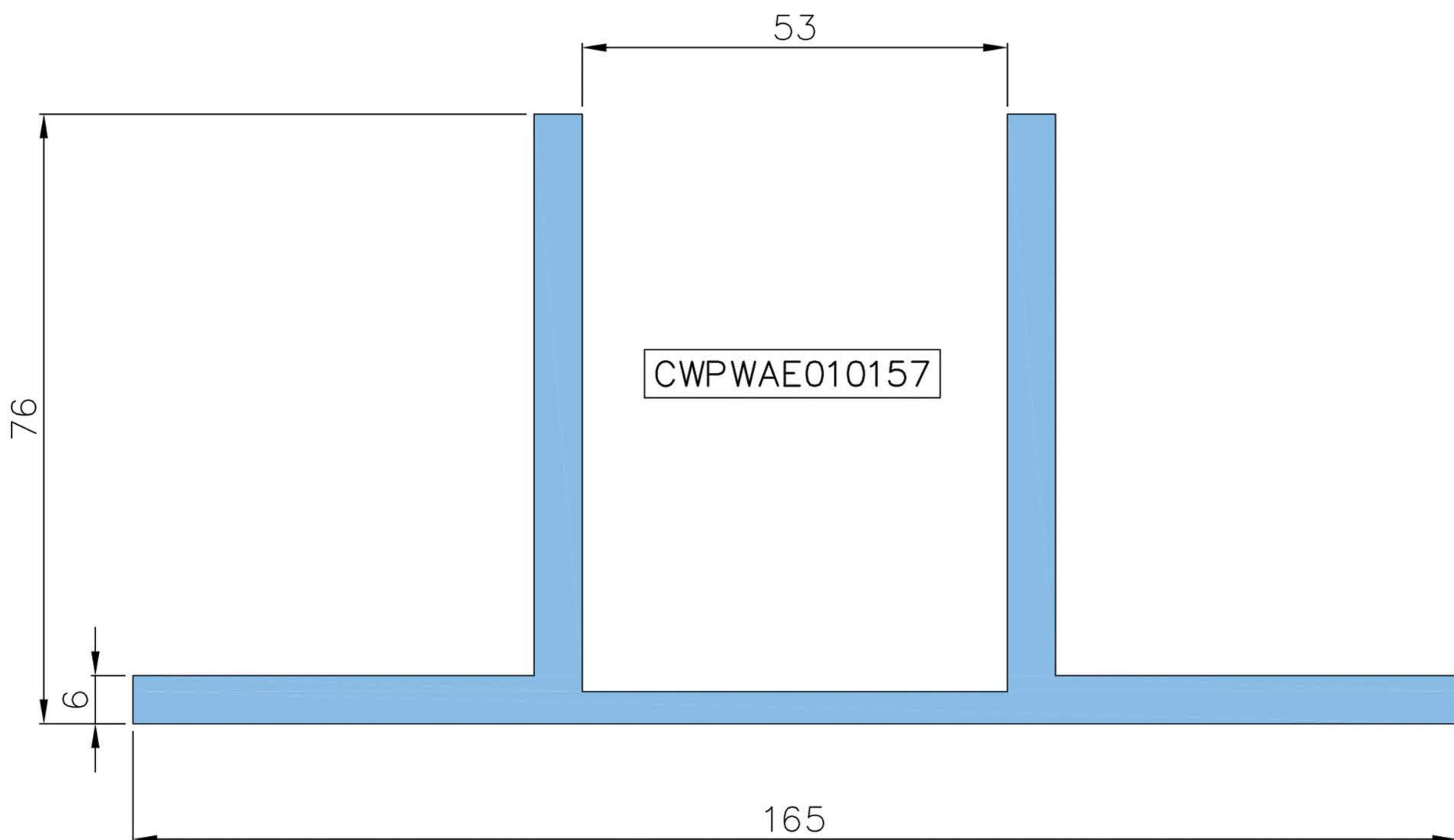
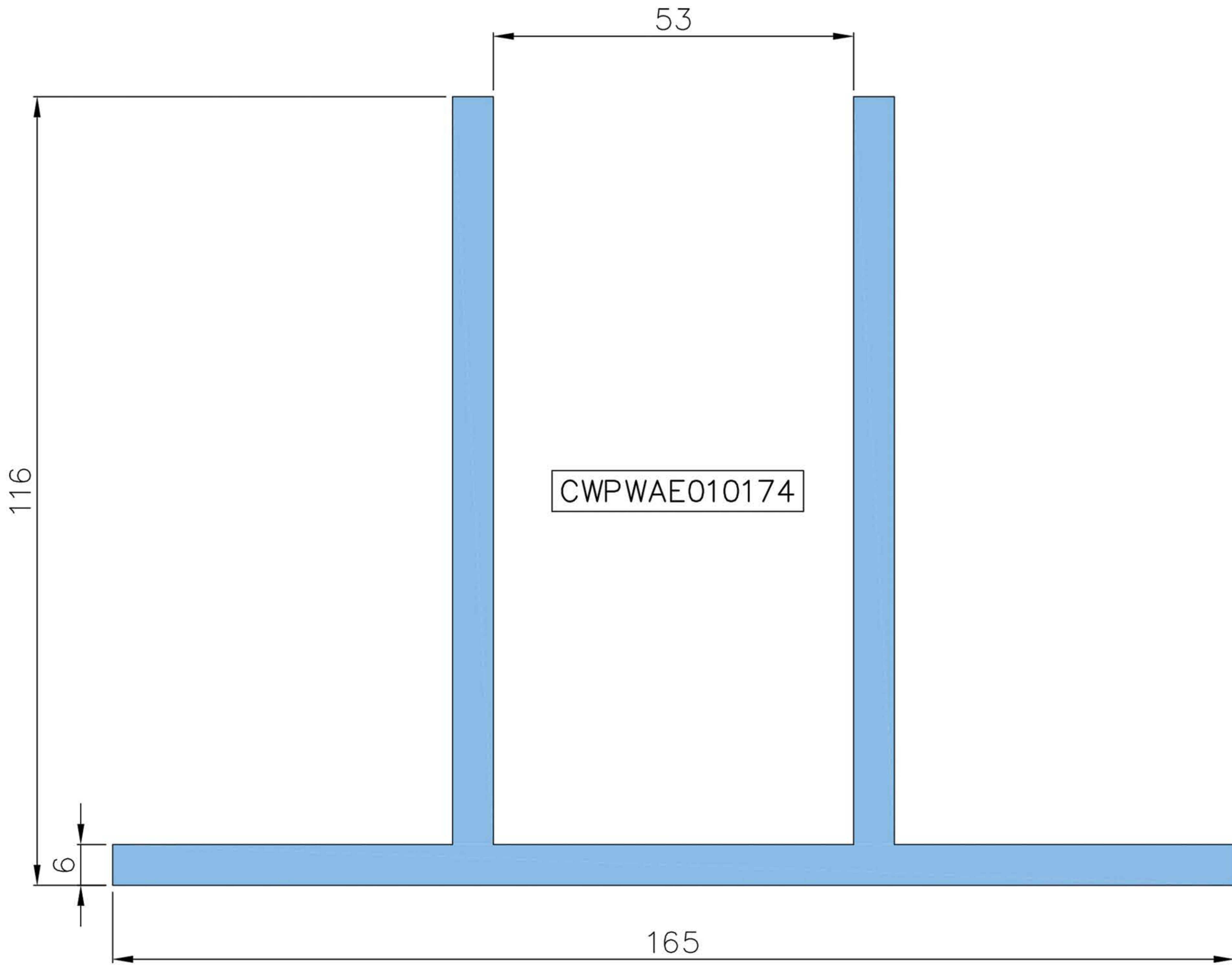










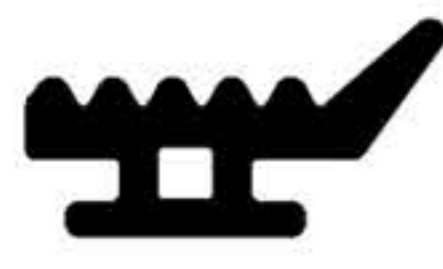
















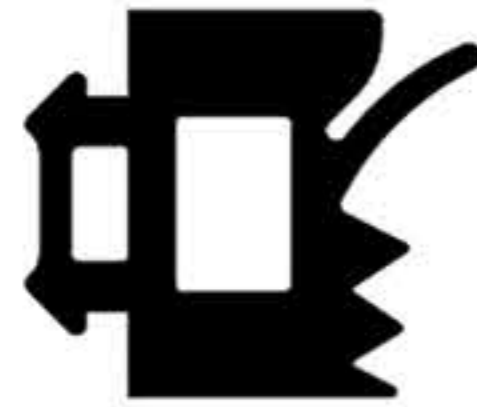








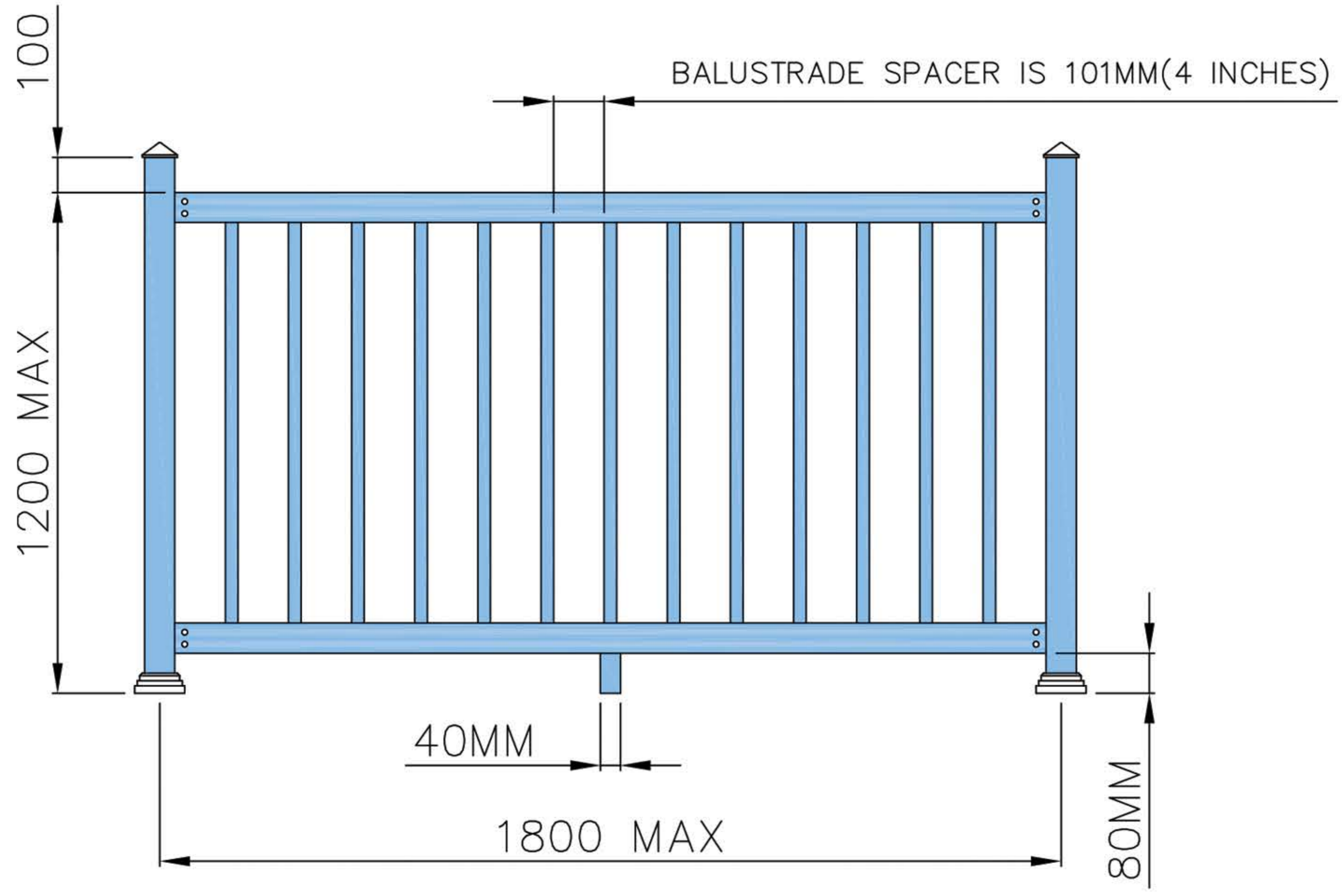
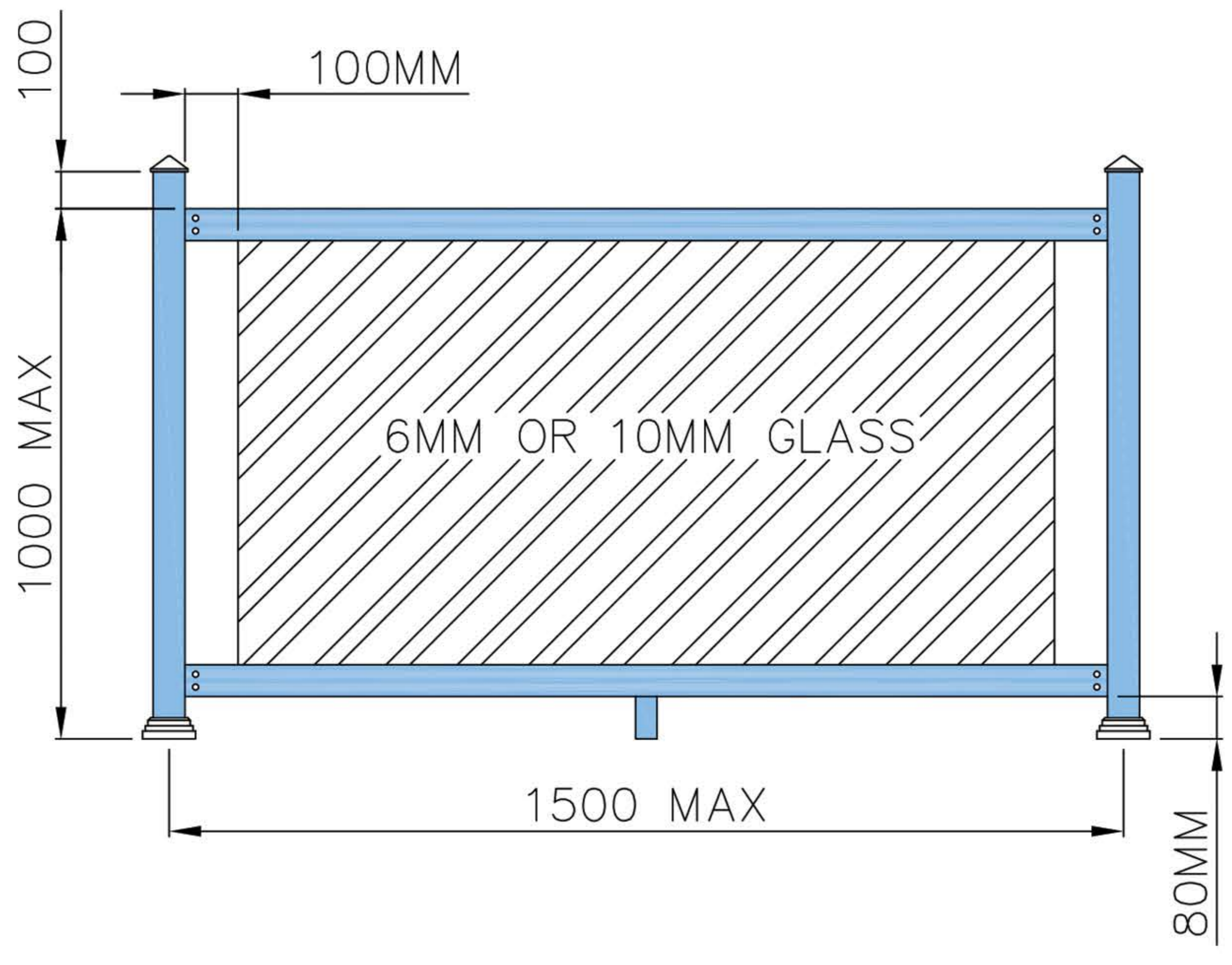


As Prospec Specialties' policy is one of continual progress for the improvement of the company's services to its customers, the company reserves the right to modify the specifications of its products without notice.

SHAPE	CODE	DESCRIPTION	SHAPE	CODE	DESCRIPTION
	GRIRC02163	PRESSURE PLATE GASKET			ADAPTER RUBBER
	GRIRC00749	MAIN SECTION GASKET			STAY ARM
	GRIRC01411	FRAME GASKET			LIMITER ARM
	GRIRC09409	SHUTTER GASKET			OFFSET HANDLE
	GRIRC00122	MAIN SECTION GASKET			CONNECTION ELEMENT
	GRIRC00950	CENTRAL GASKET			TRANSMISSION CORNER
	GRIRC01875	FRAME GASKET			LOCKING PIN ADJUSTABLE
	GRIRC01551	FLIPPER GASKET			COUNTER PLATE
	GRIRC01538	FRAME GASKET			ADDITIONAL LOCKING POINT
	GRIRC02266	FLIPPER GASKET			POSITION REGULATOR
	GRIRC01981	FLIPPER GASKET			CREMONE HANDLE
		MAIN SECTION GASKET			
	GRIRC00837	MAIN SECTION GASKET			
		END RUBBER PAD			
		SETTING BLOCK			

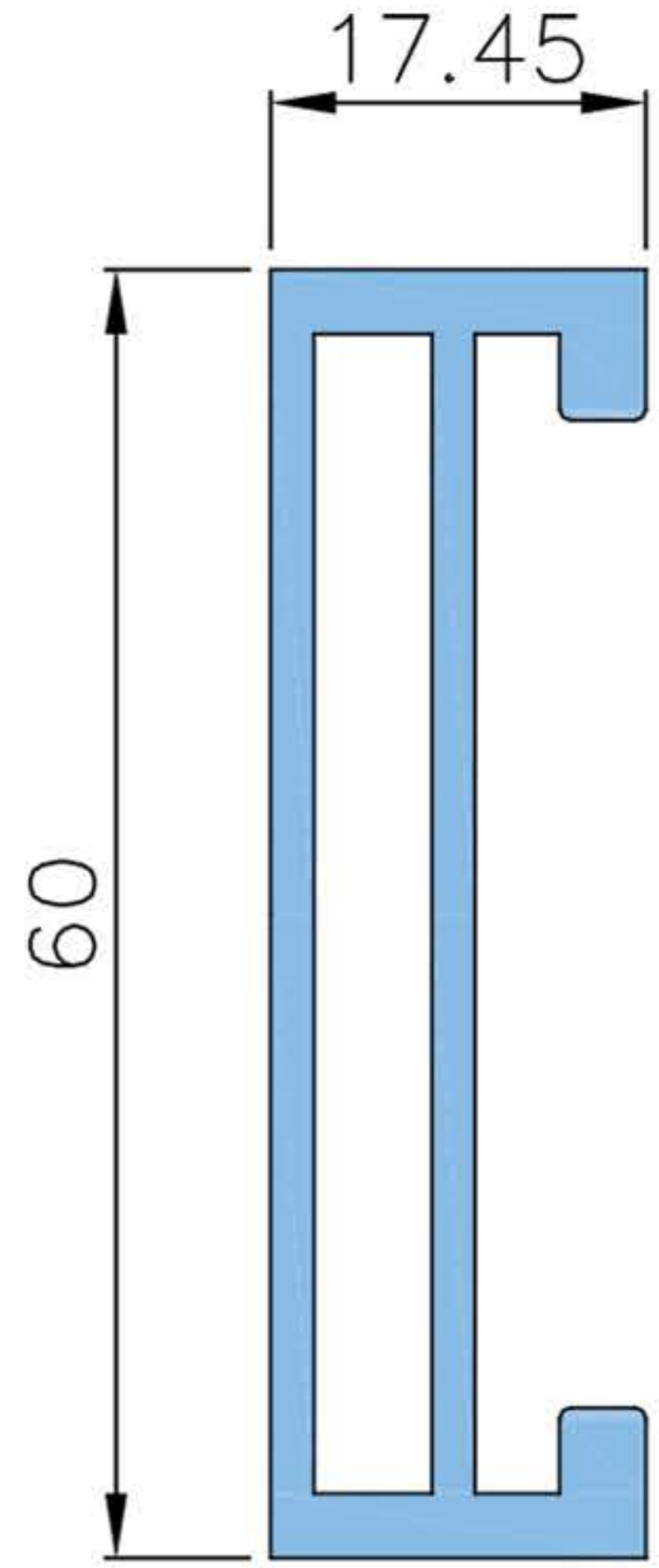
# GUARDRAILS



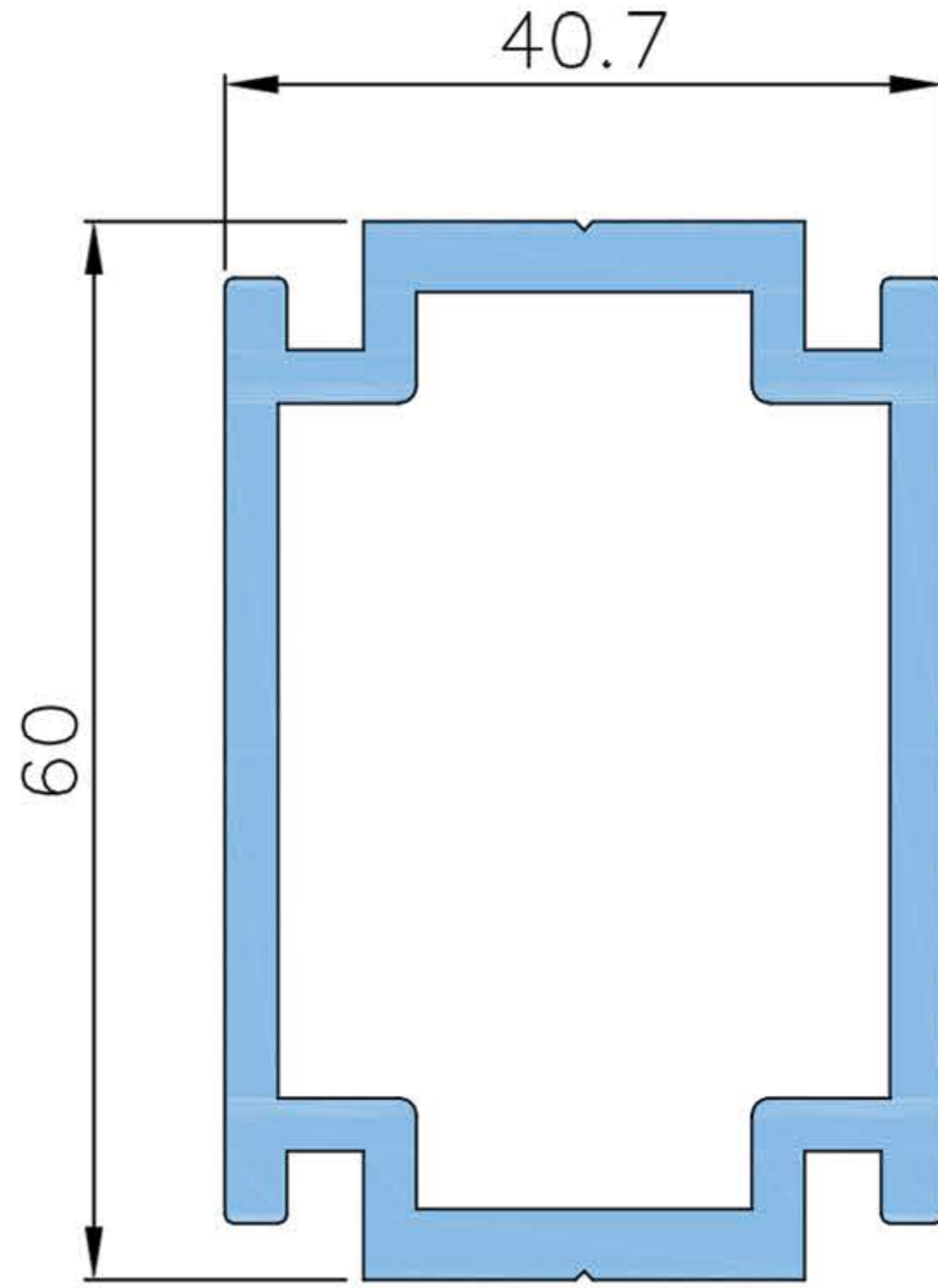


As Prospec Specialties' policy is one of continual progress for the improvement of the company's services to its customers, the company reserves the right to modify the specifications of its products without notice.

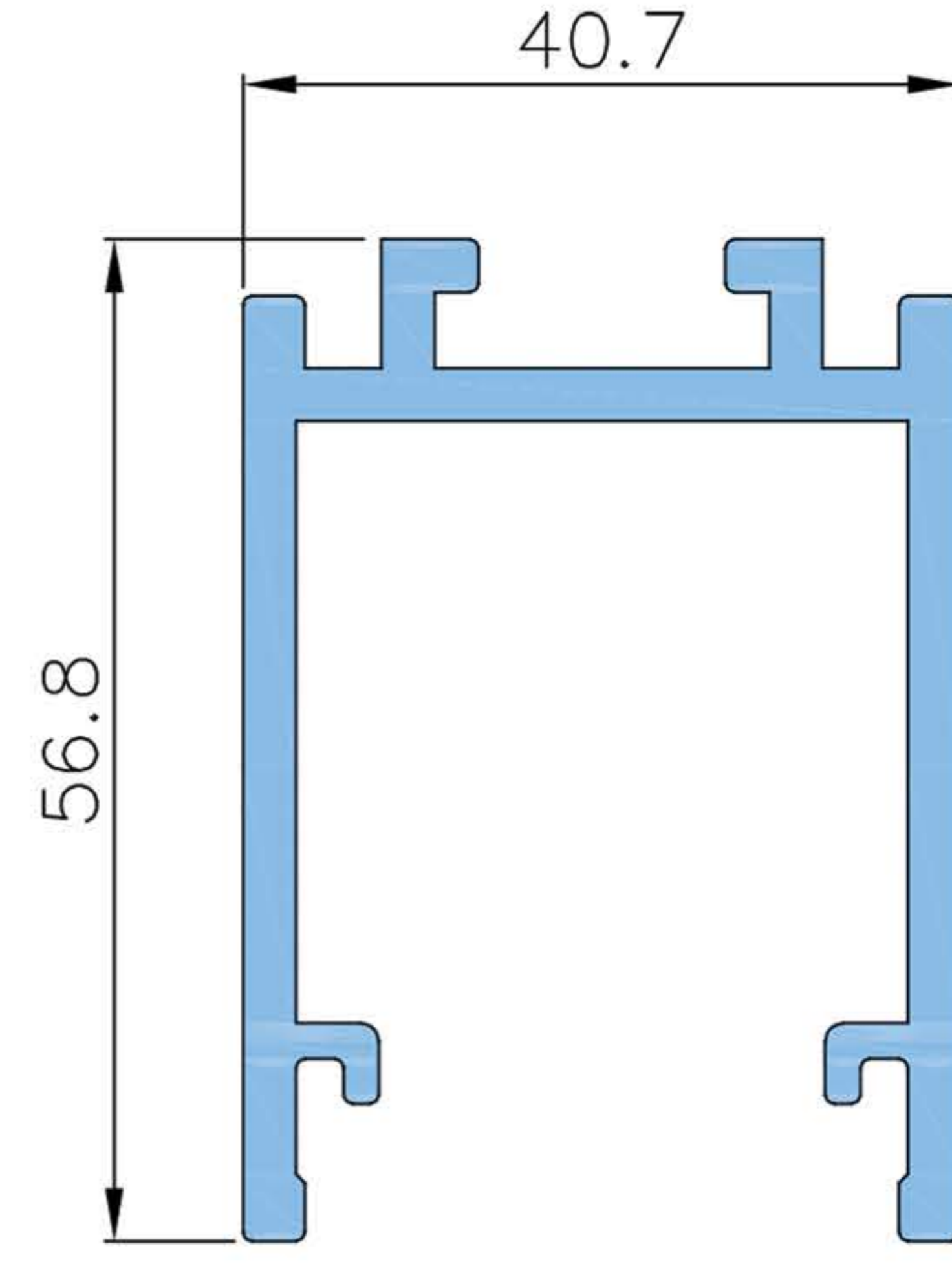




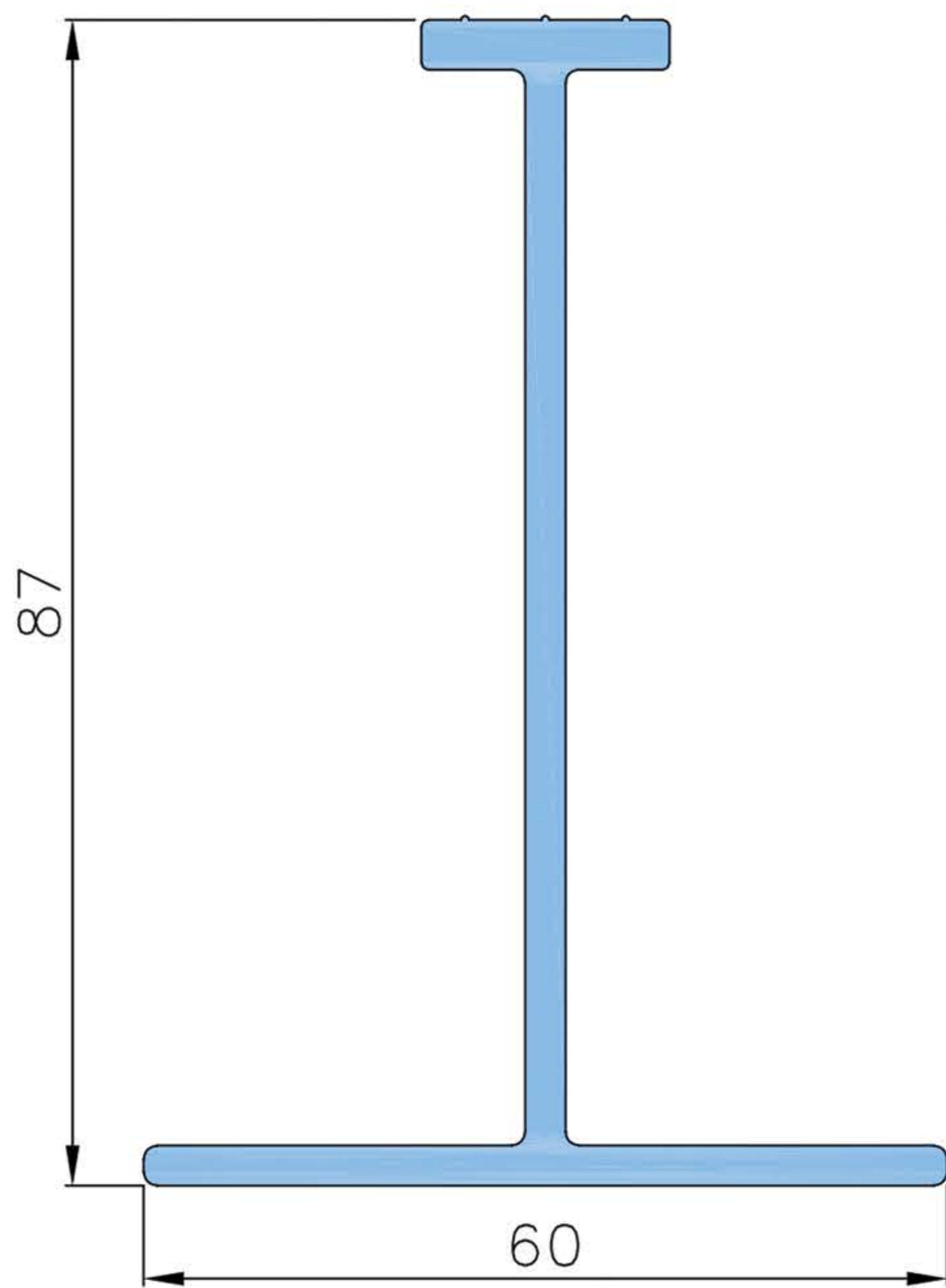
GFSPSF000701



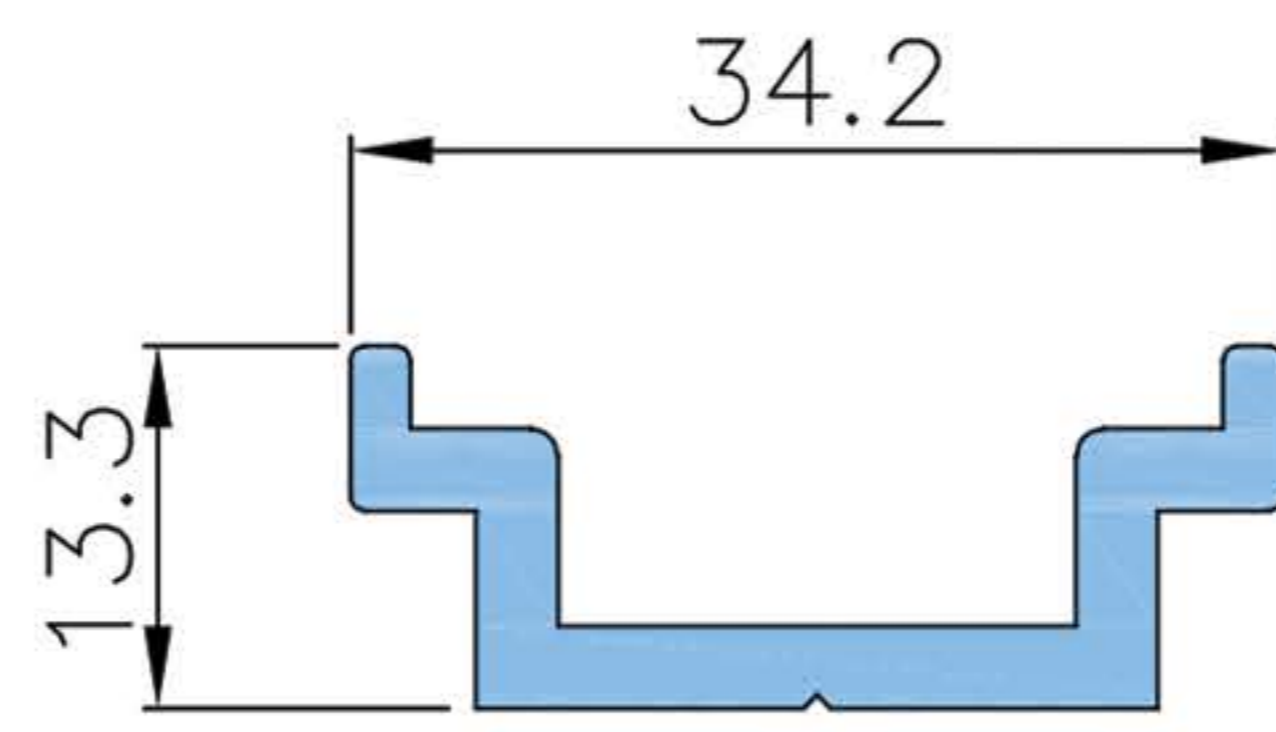
GFSPSF000702



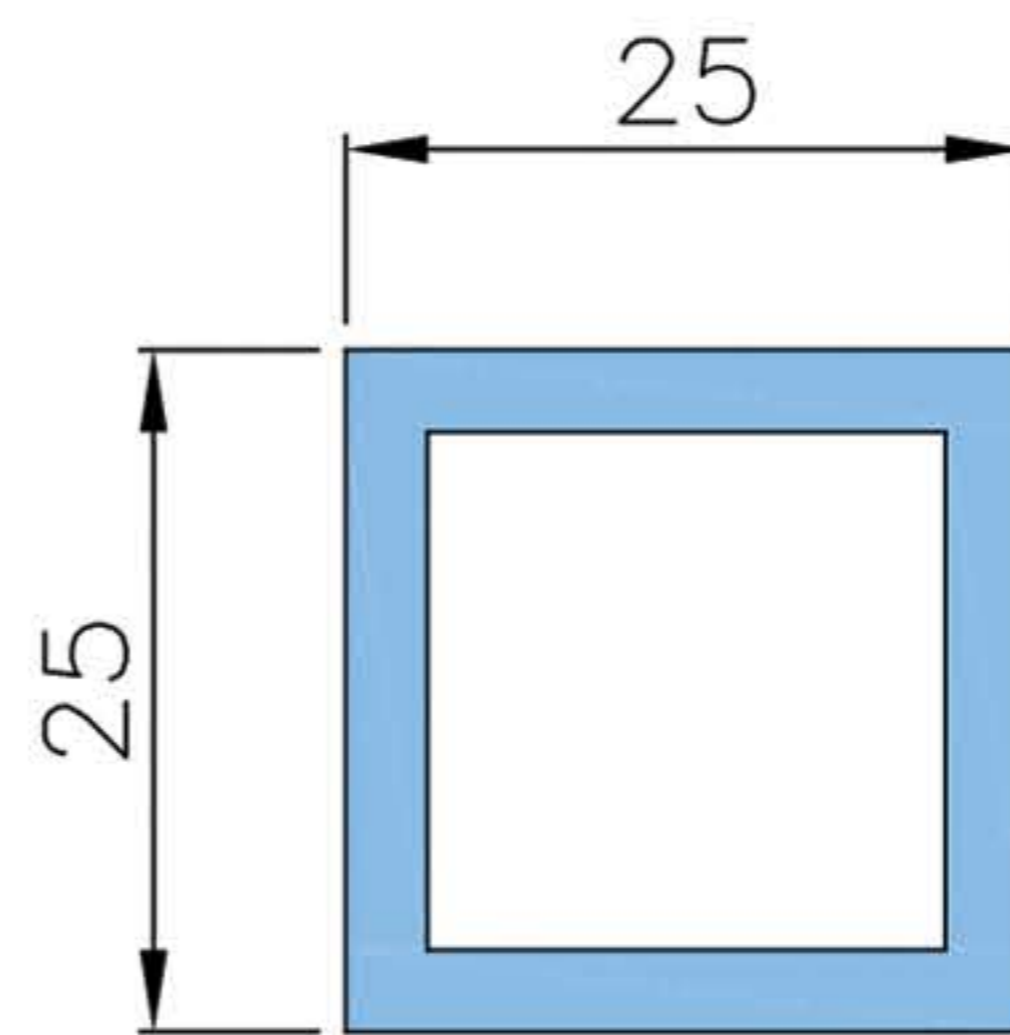
GFSPSF000703



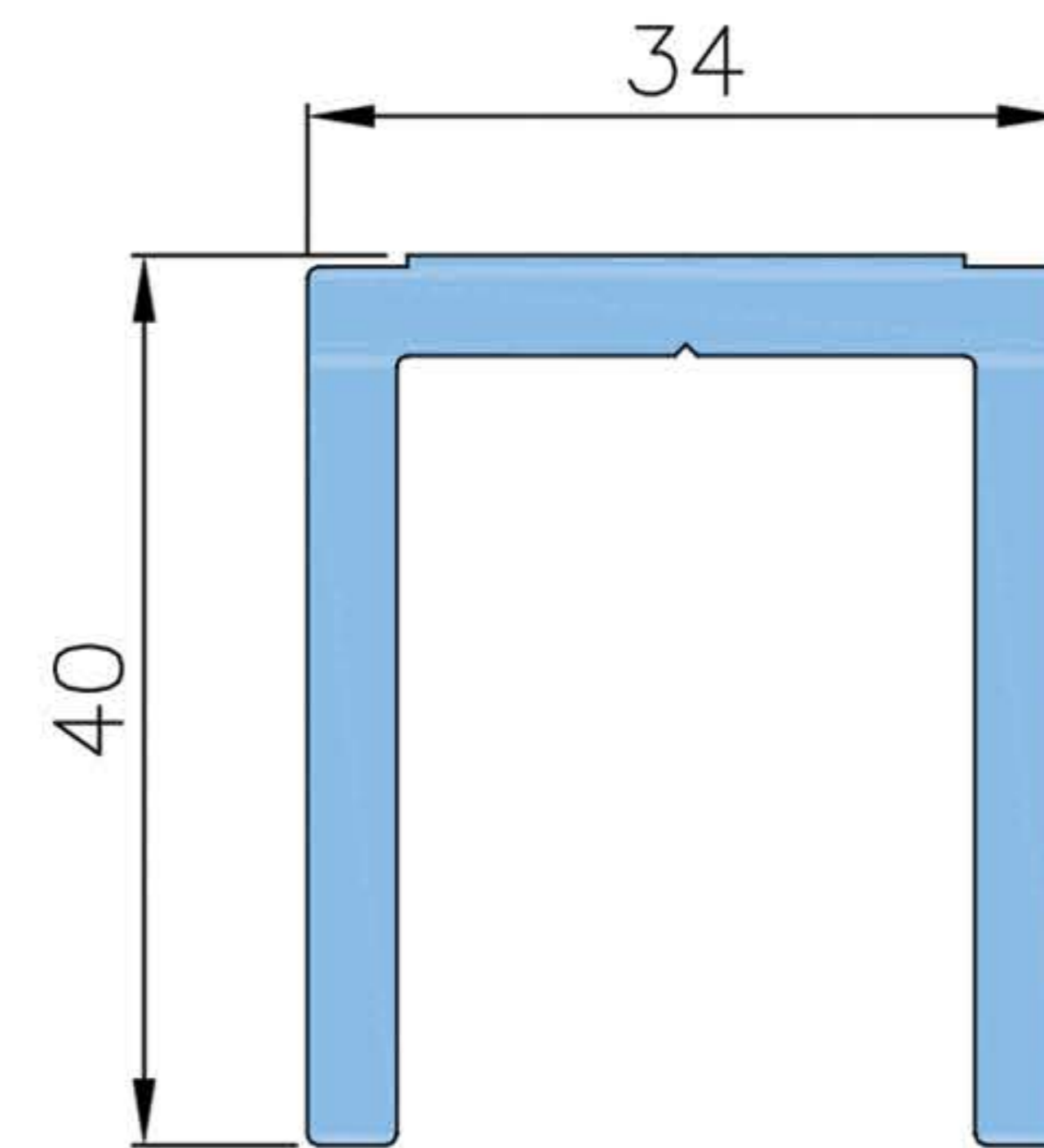
GFSPSF000706



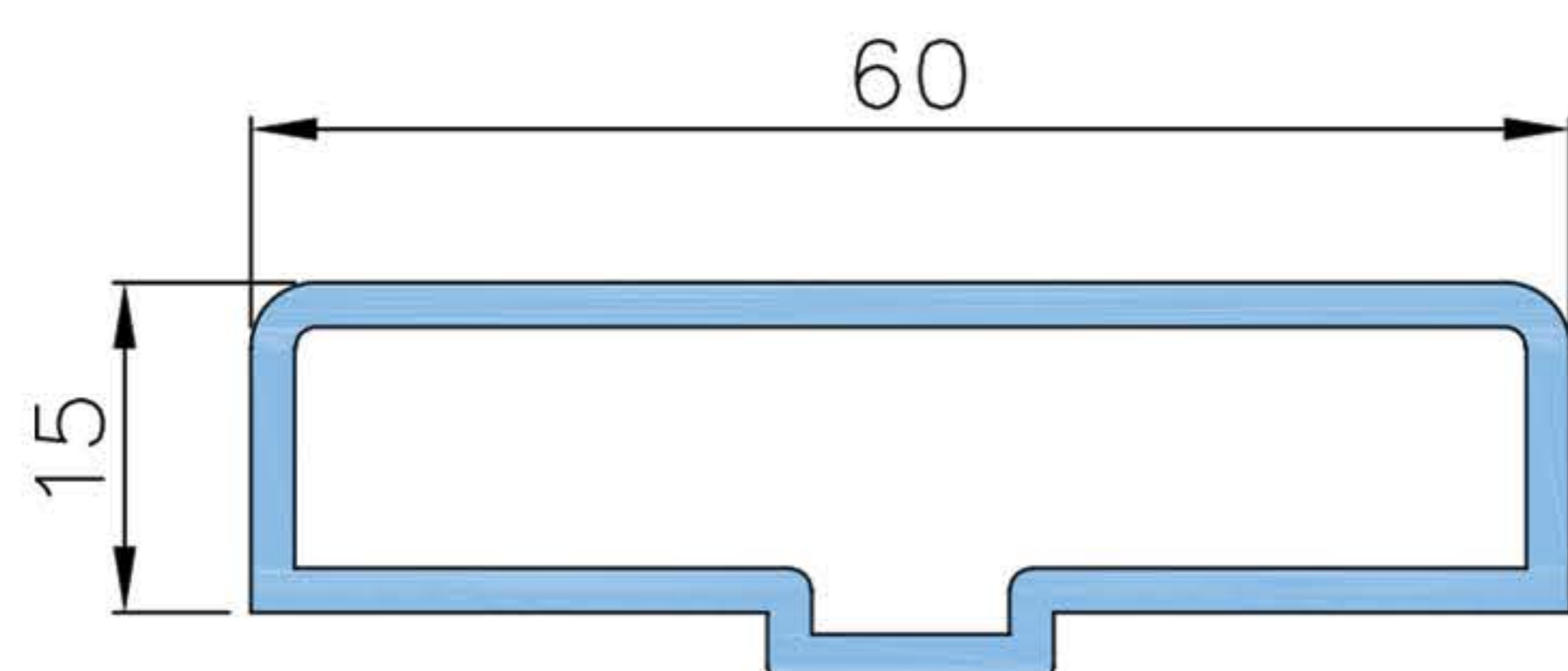
GFSPSF000704



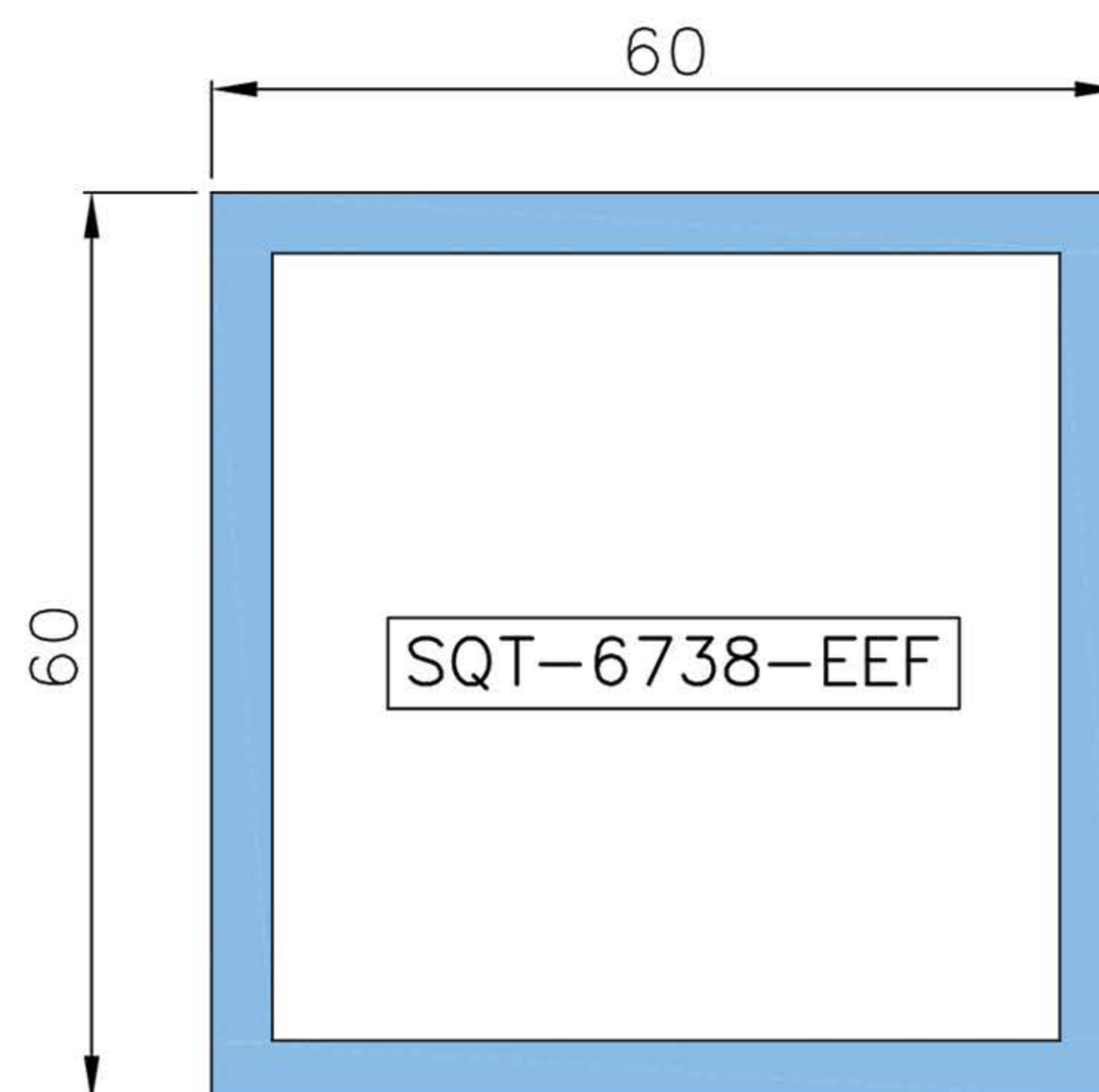
SQT-2646-EEF





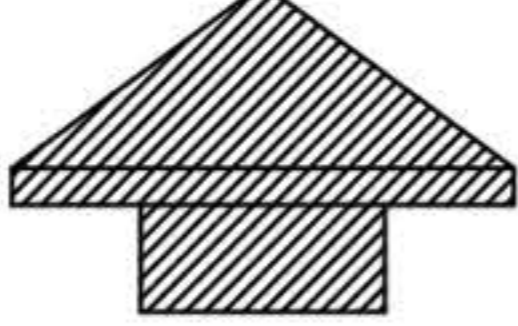

GFSPSF000705



GFSPSF000707

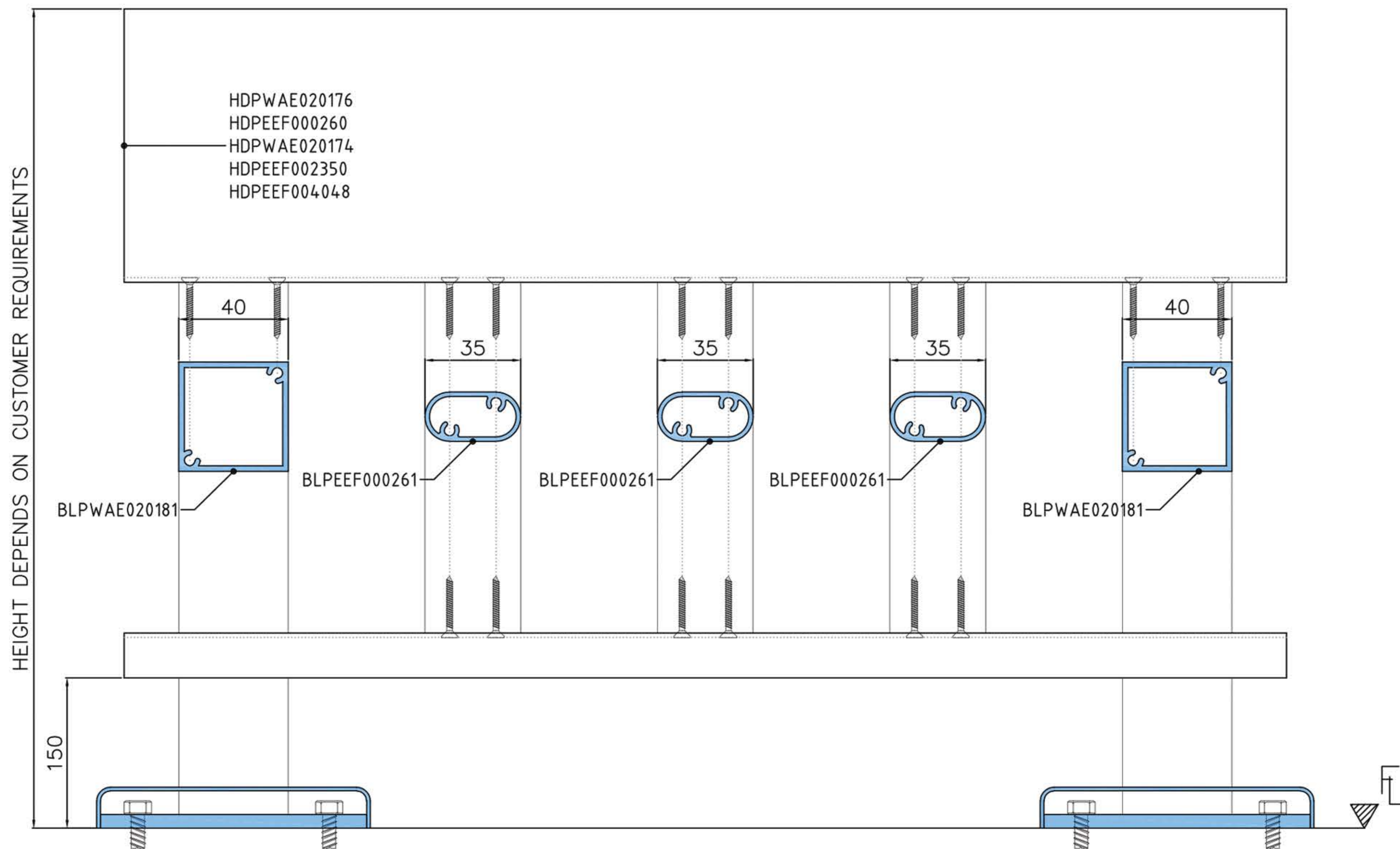
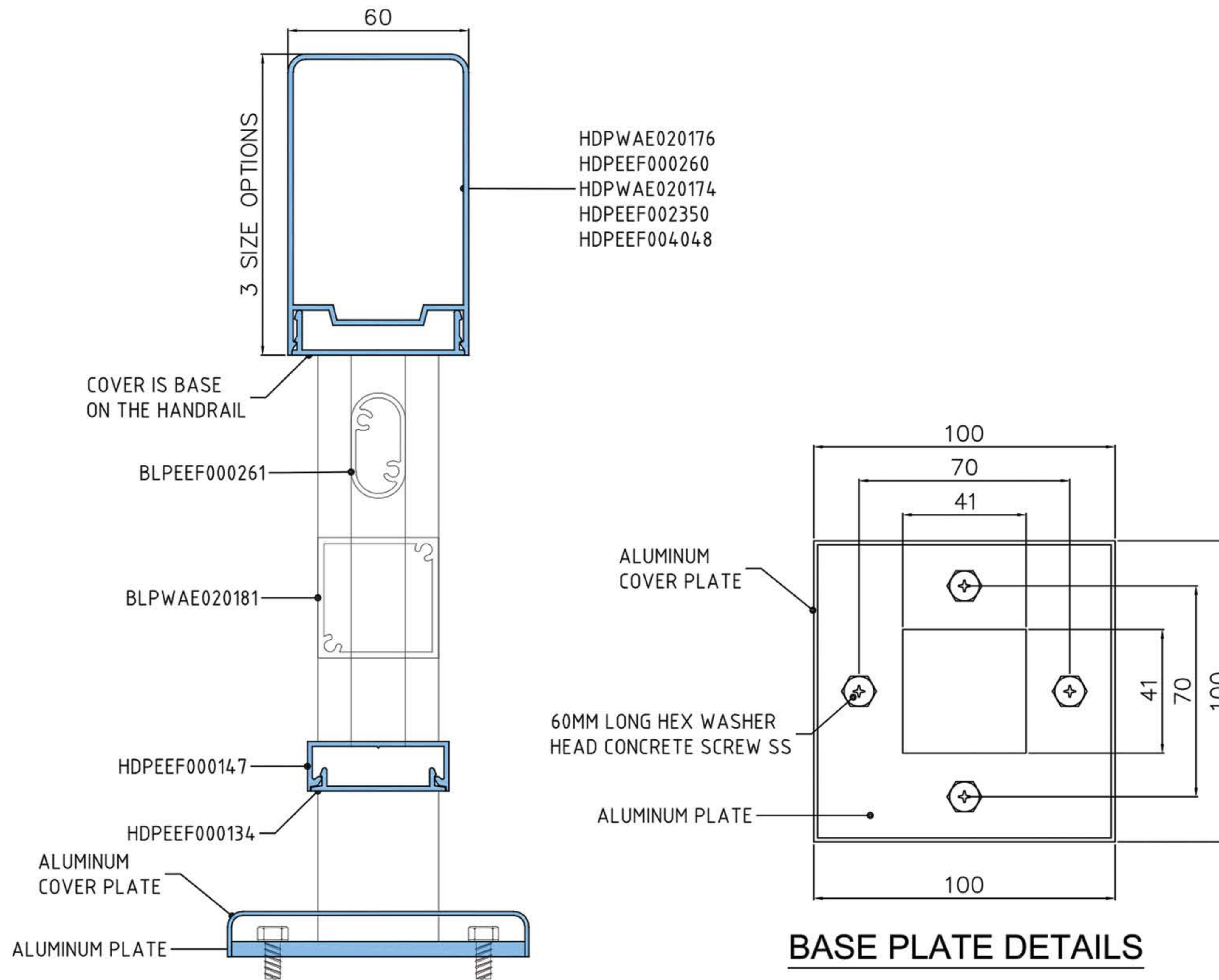


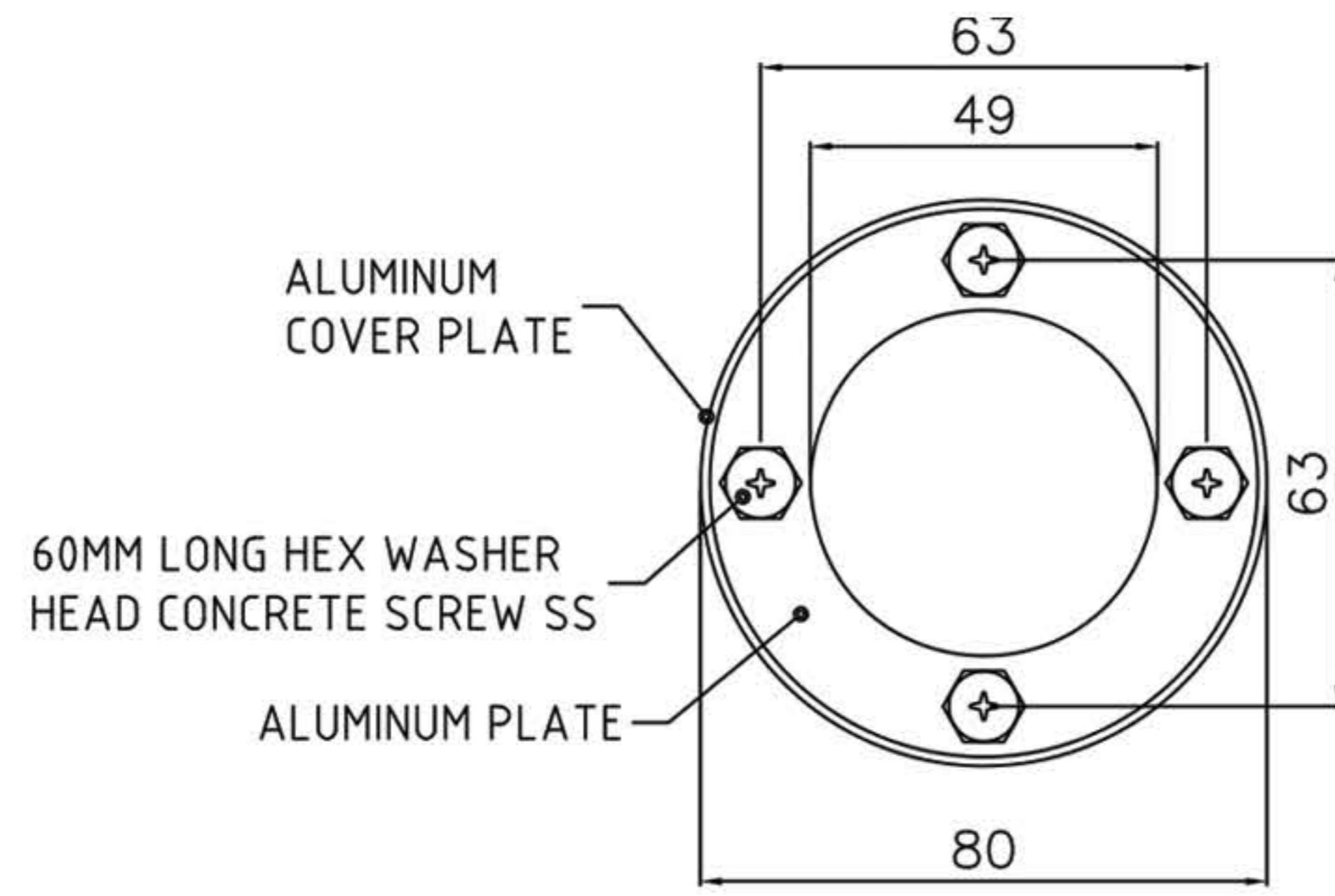
SQT-6738-EEF

SHAPE	CODE	DESCRIPTION
		6MM GLASS GASKET
		10MM GLASS GASKET
		POST COVER CAP
		POST FOOTING

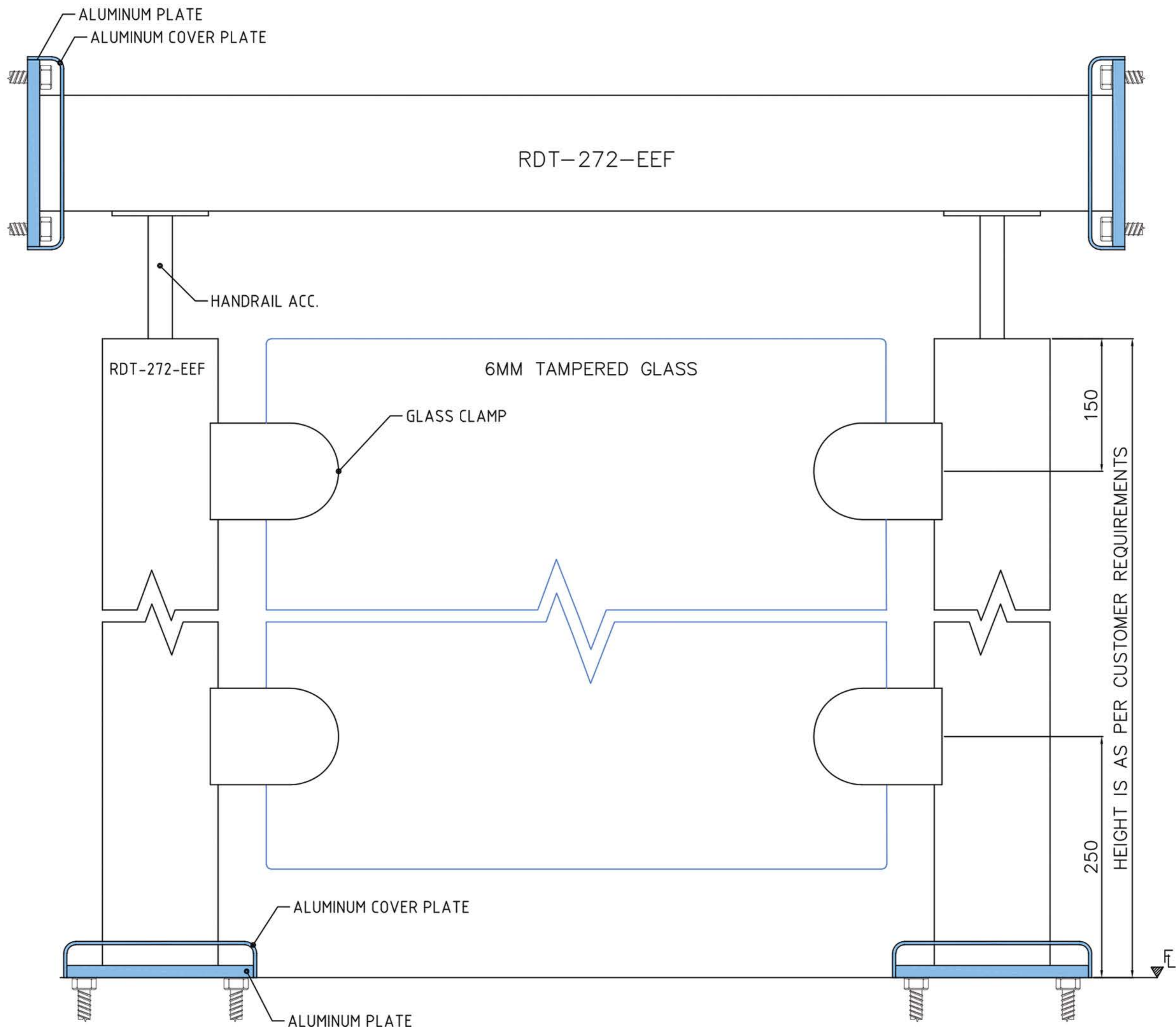
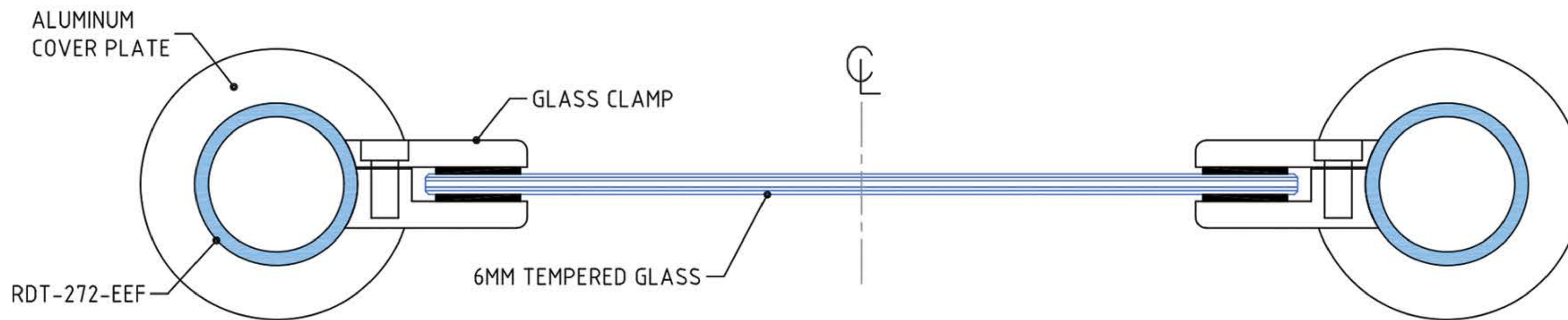
ALURAIL



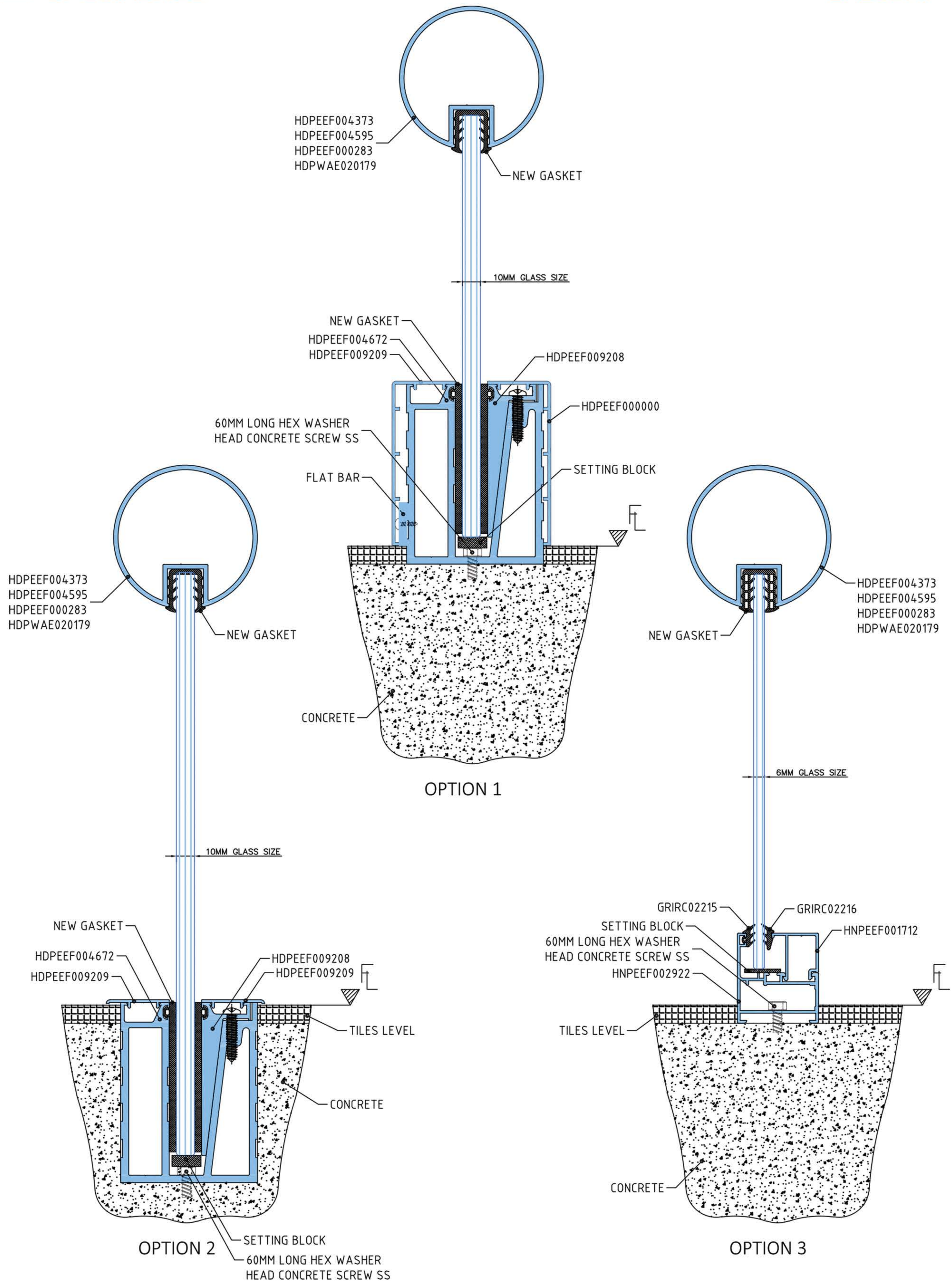




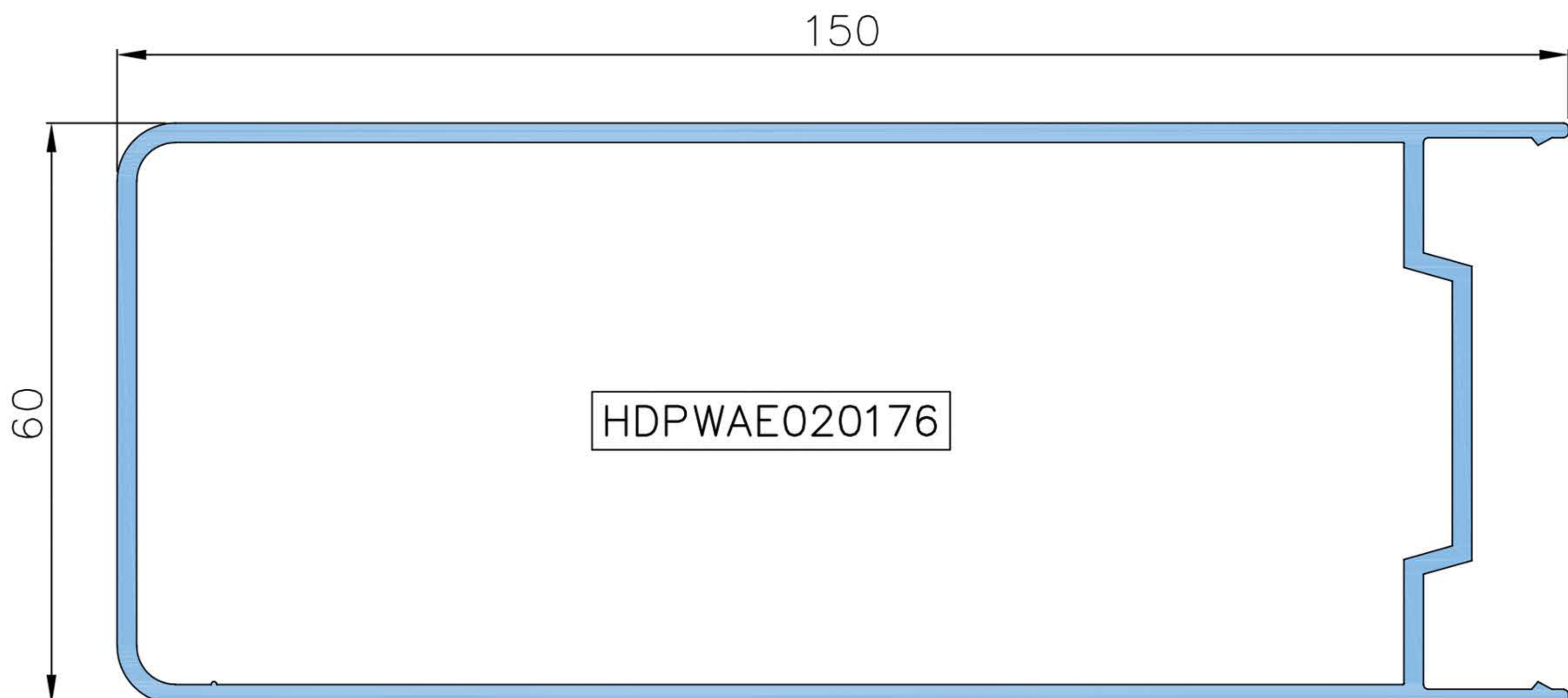
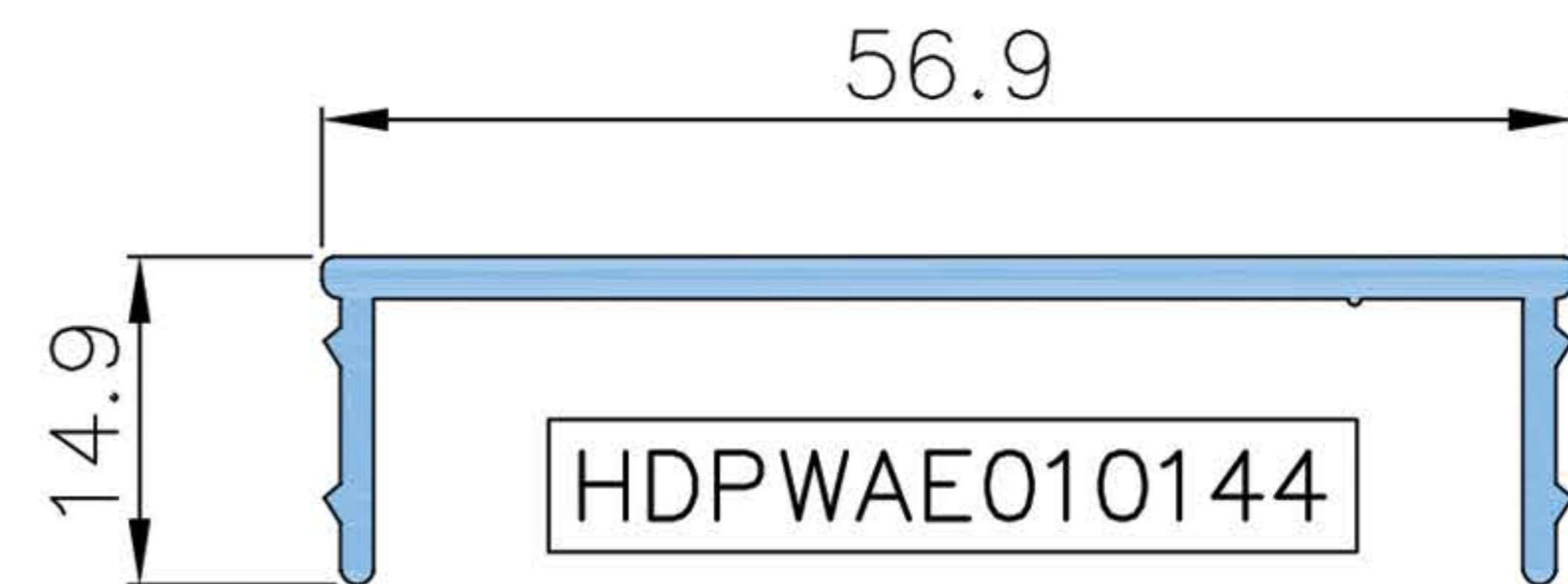
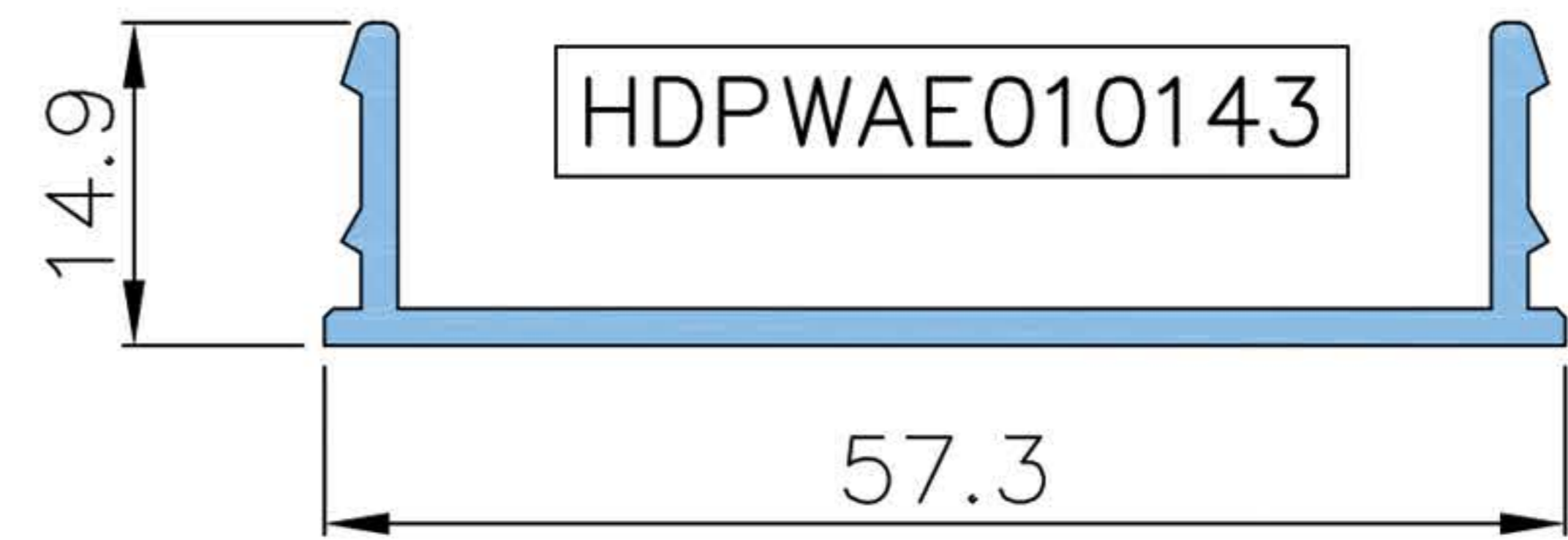
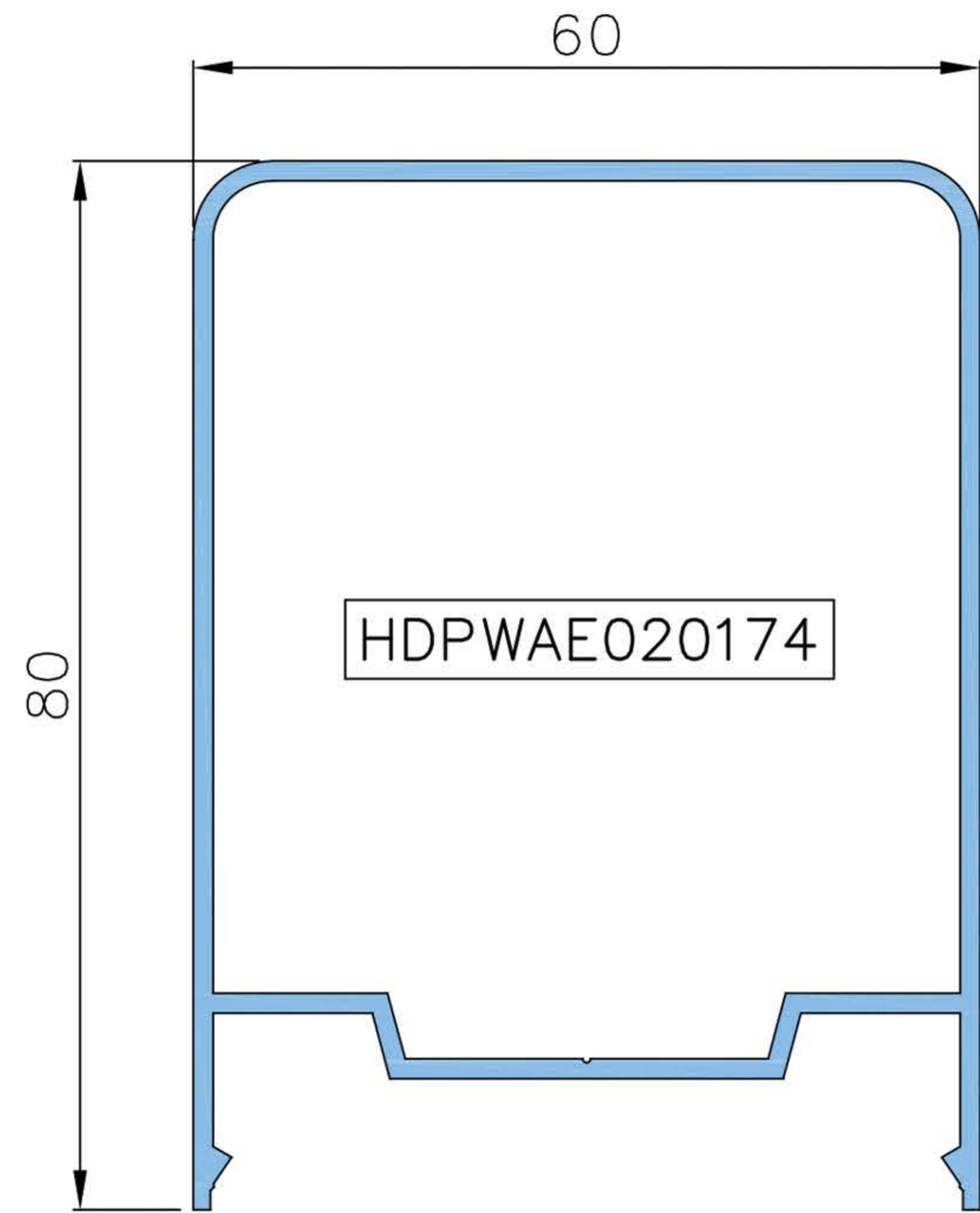
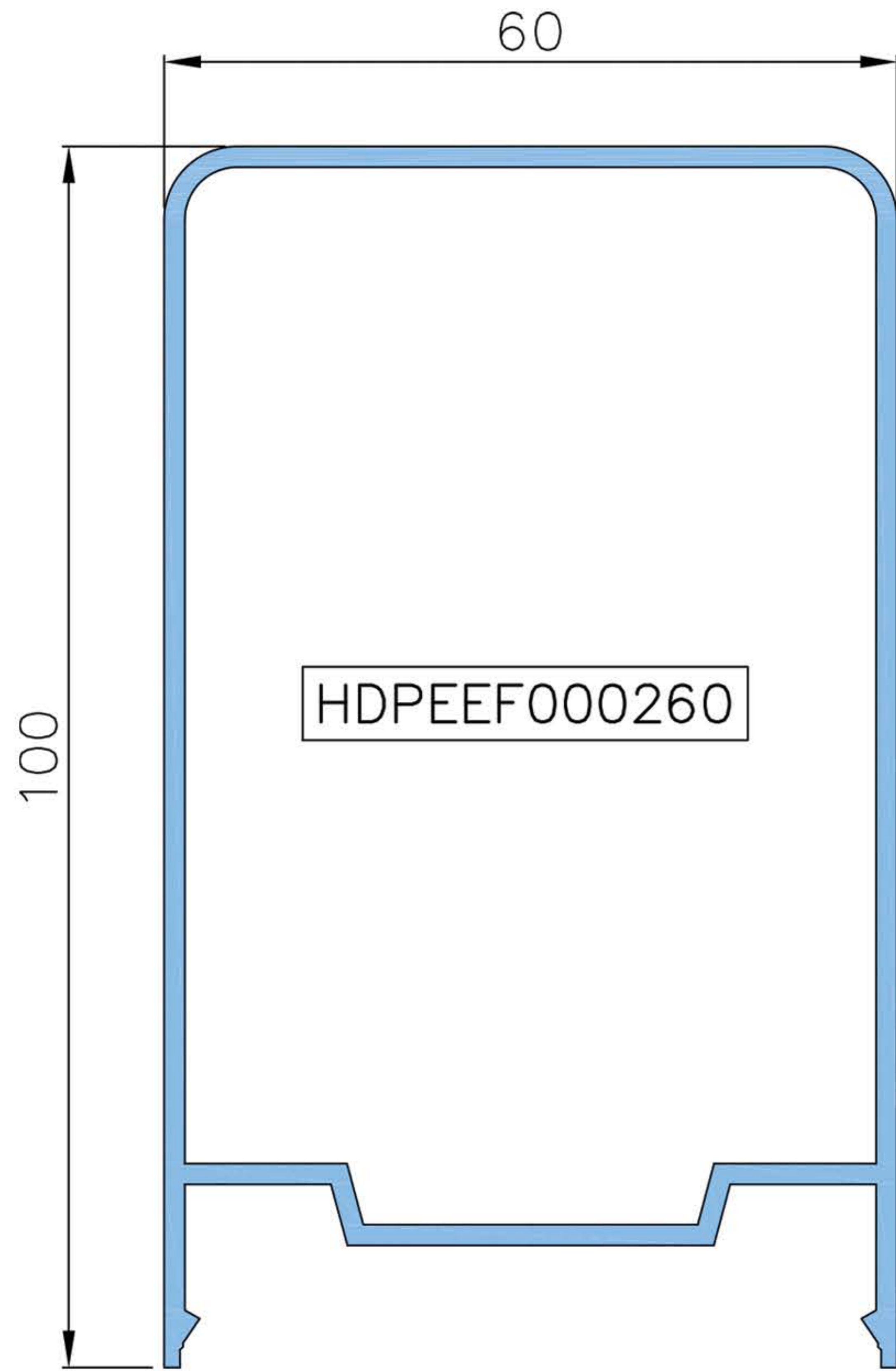
**BASE PLATE DETAILS**

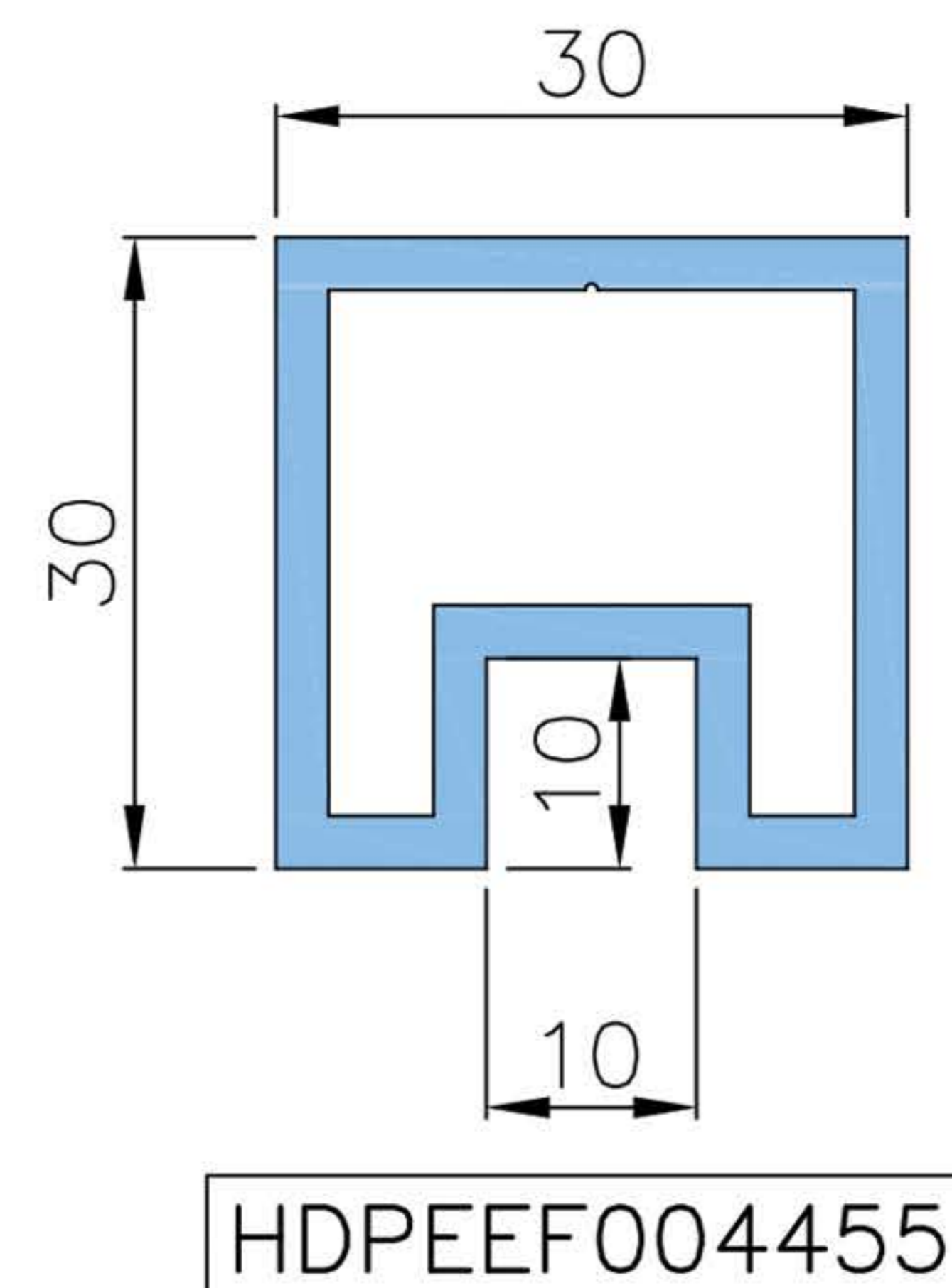
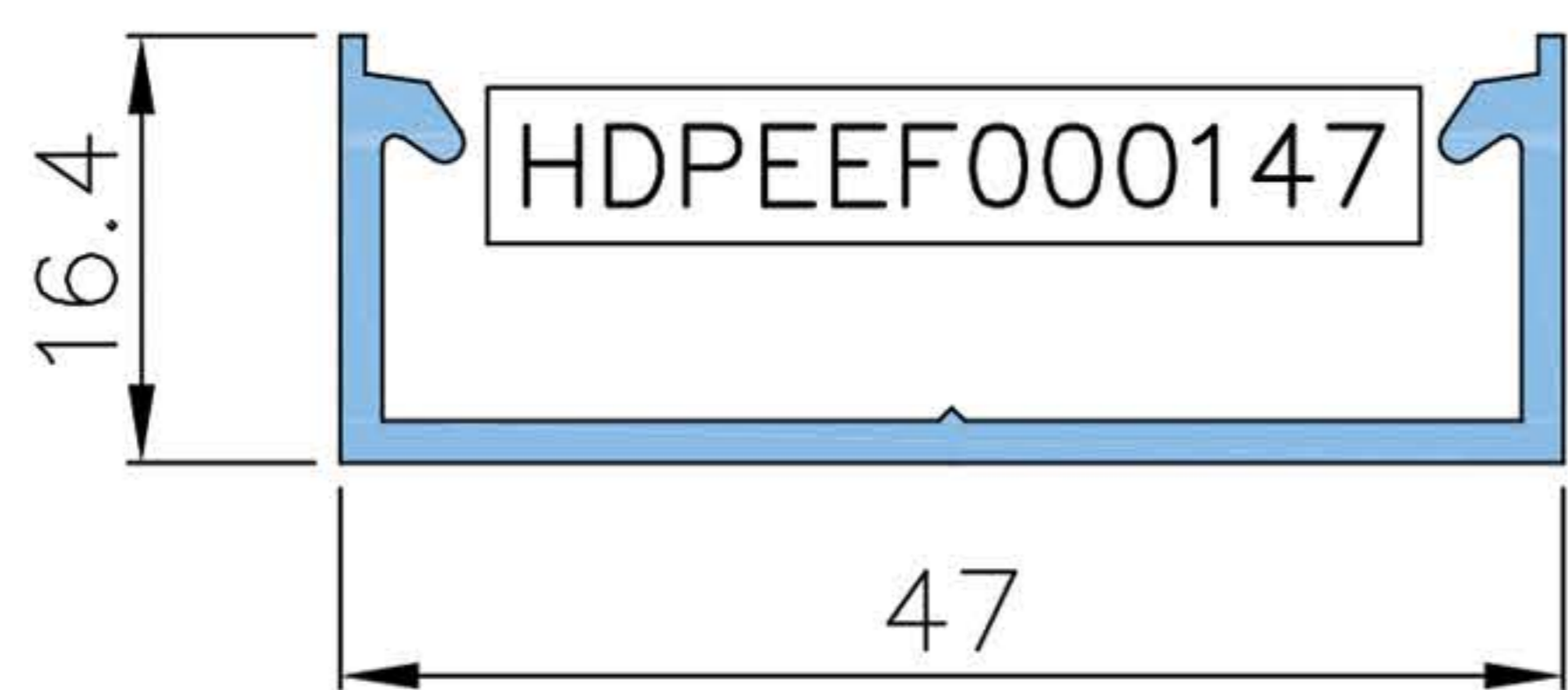
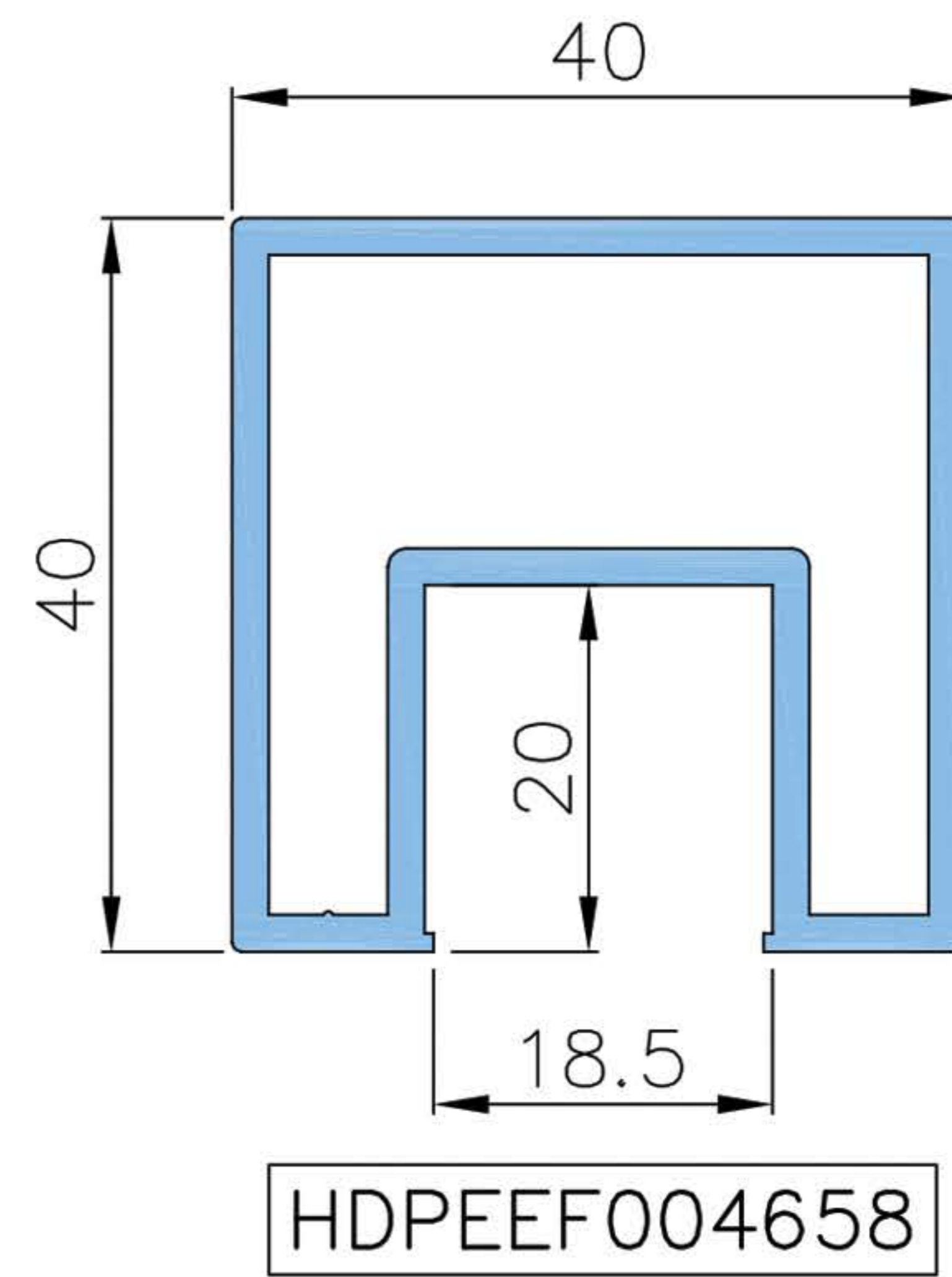
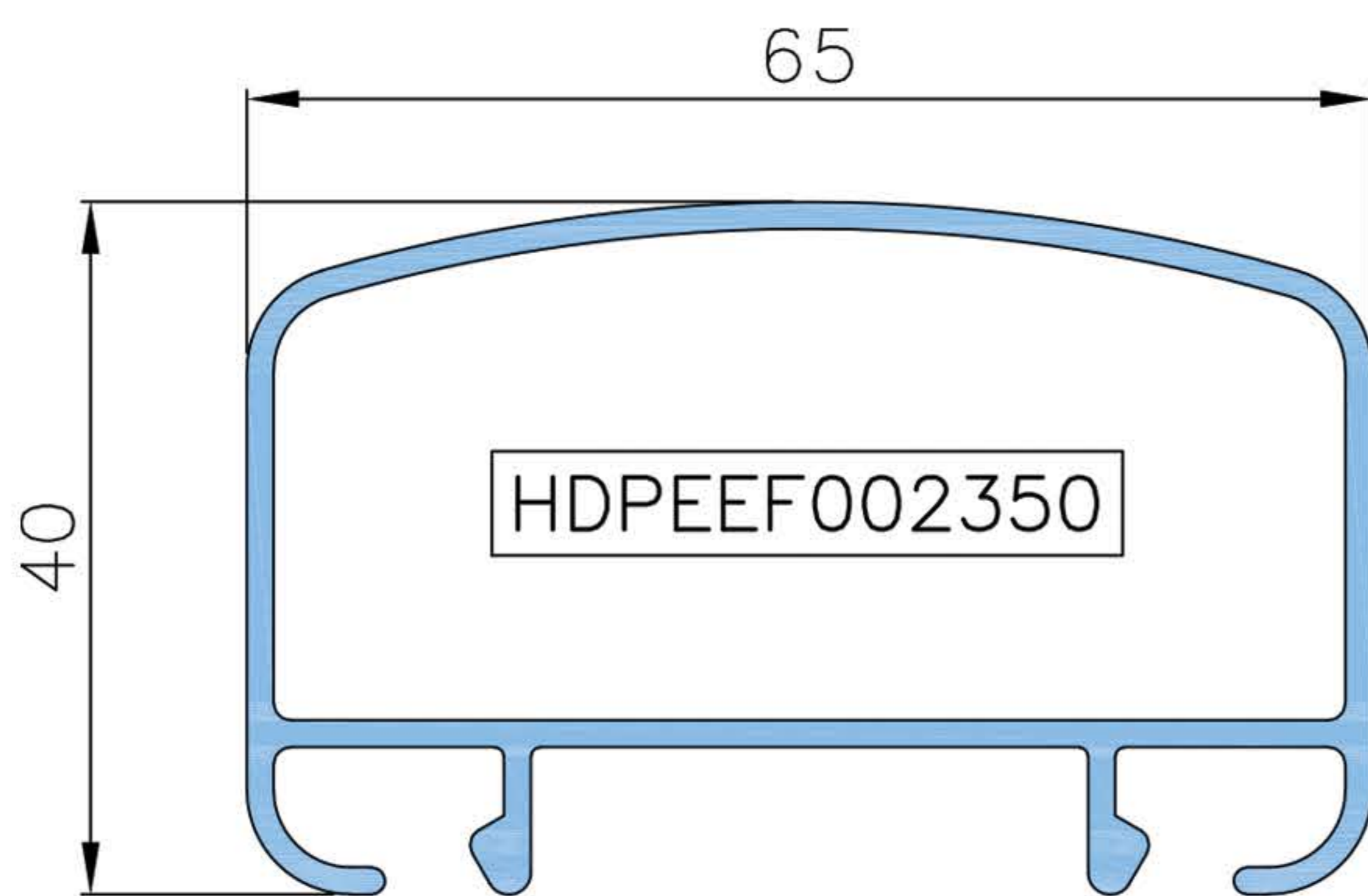
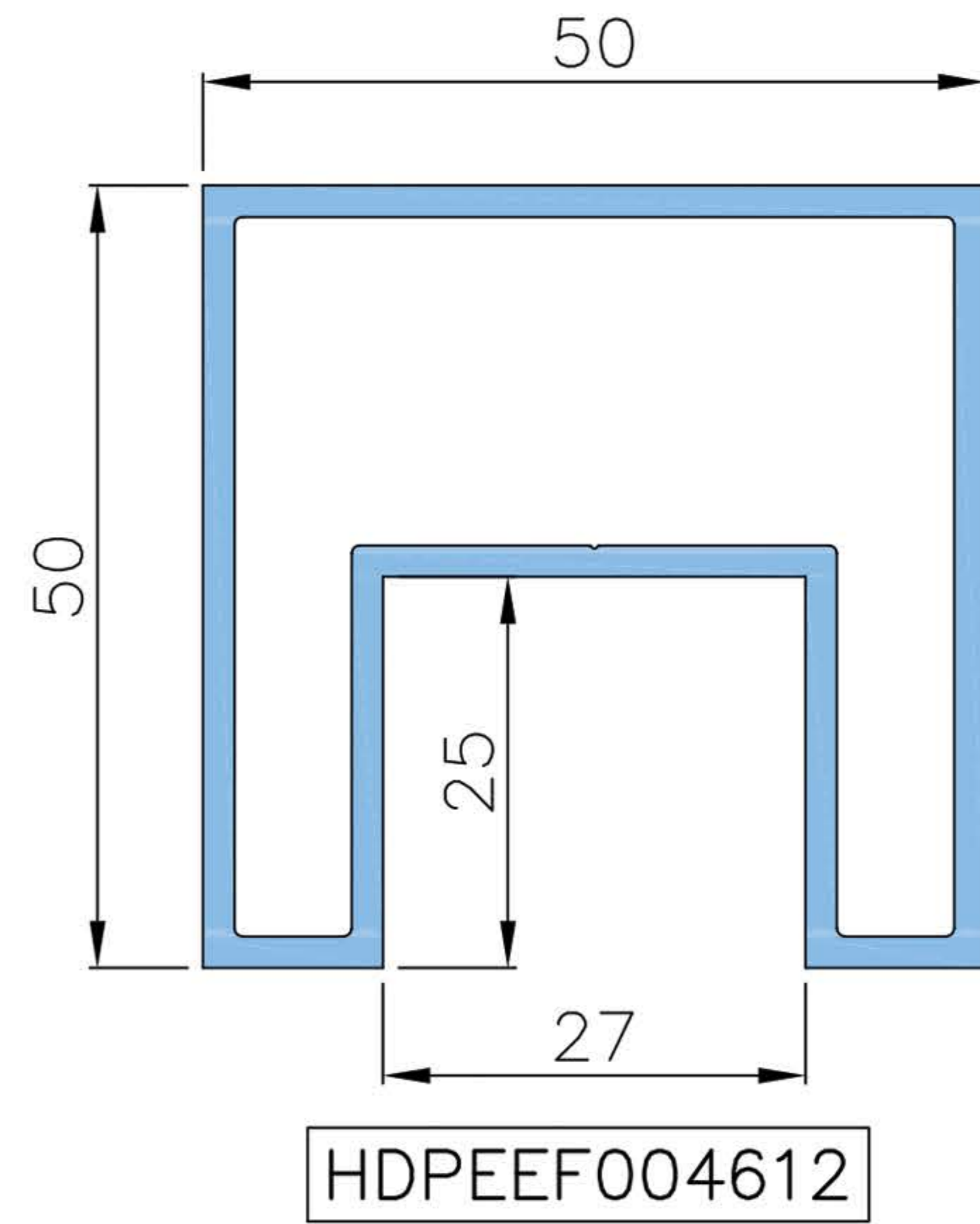
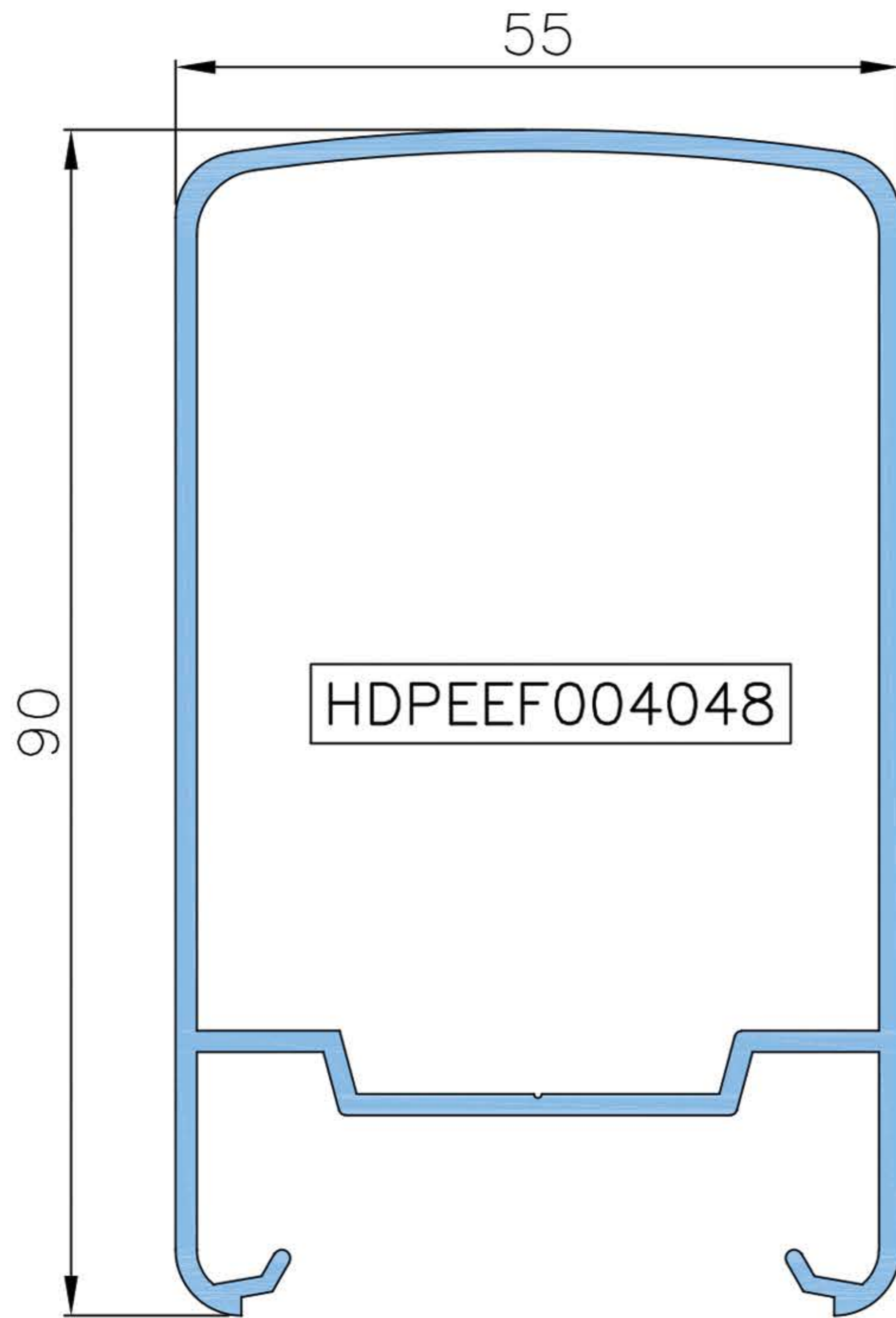


As Prospec Specialties' policy is one of continual progress for the improvement of the company's services to its customers, the company reserves the right to modify the specifications of its products without notice.



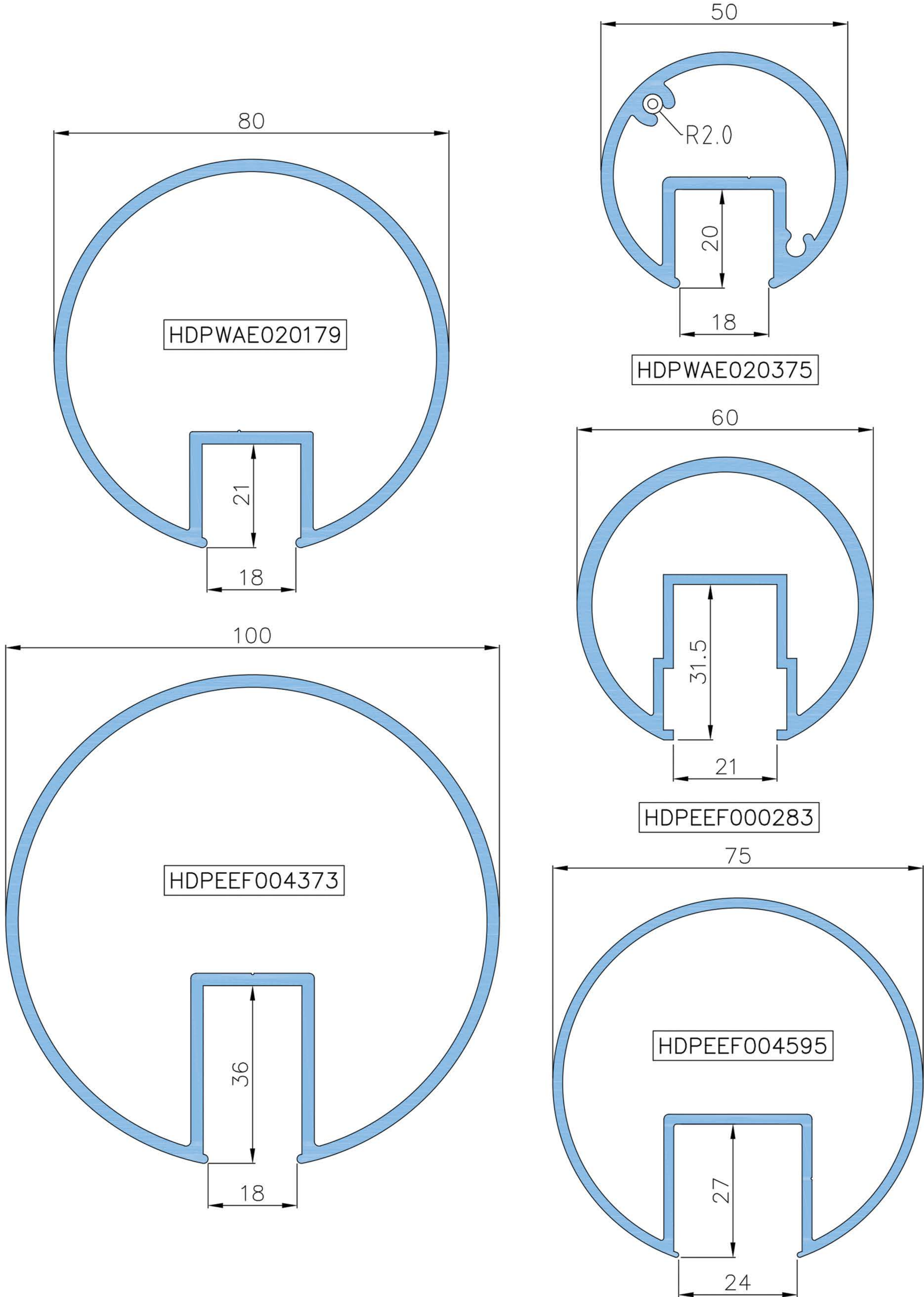
As Prospec Specialties' policy is one of continual progress for the improvement of the company's services to its customers, the company reserves the right to modify the specifications of its products without notice.

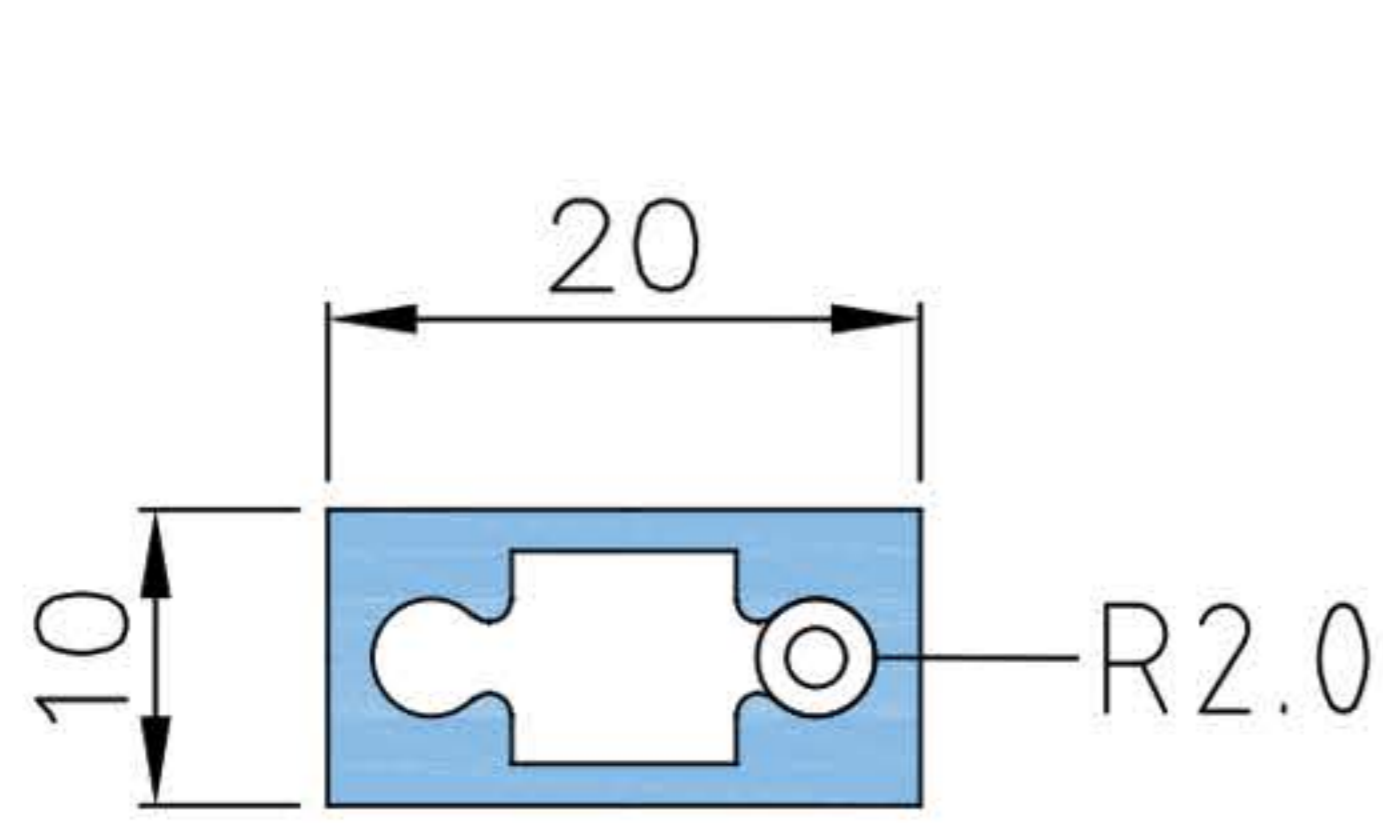




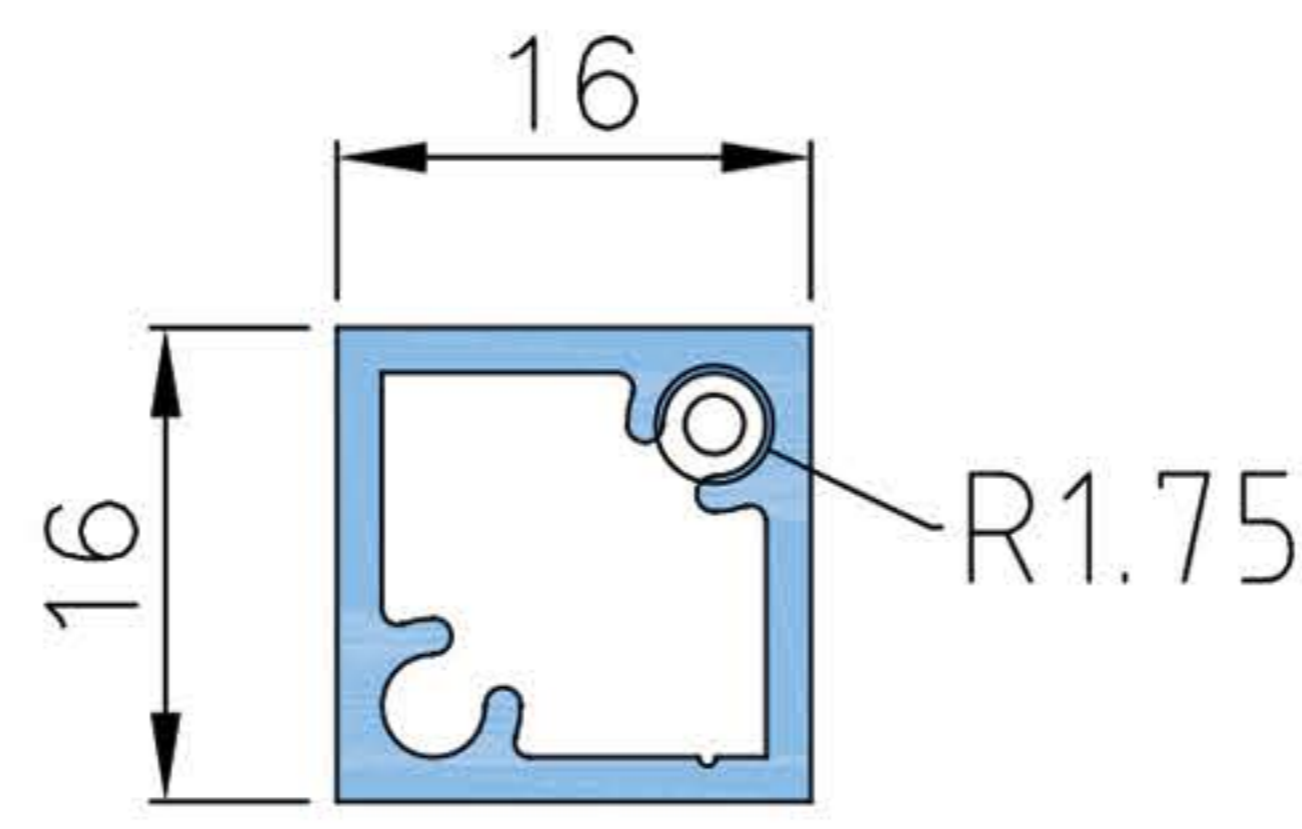


HANDRAIL PROFILES

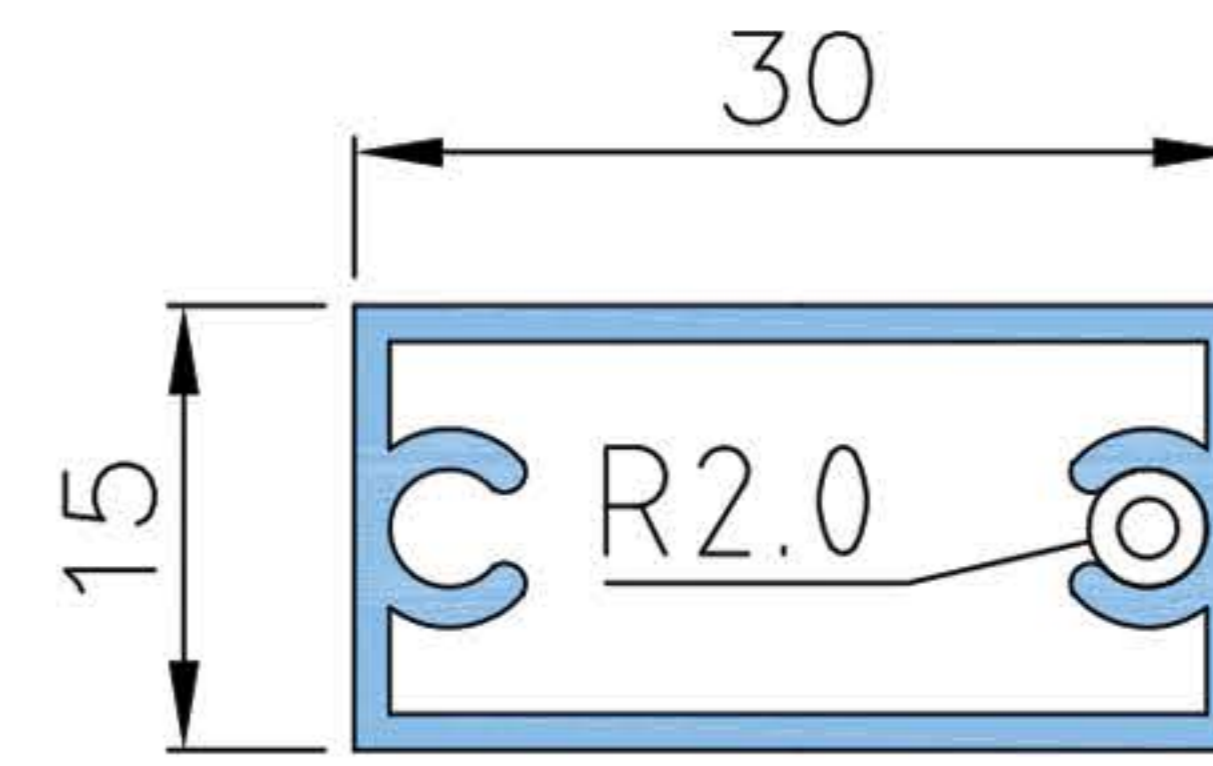




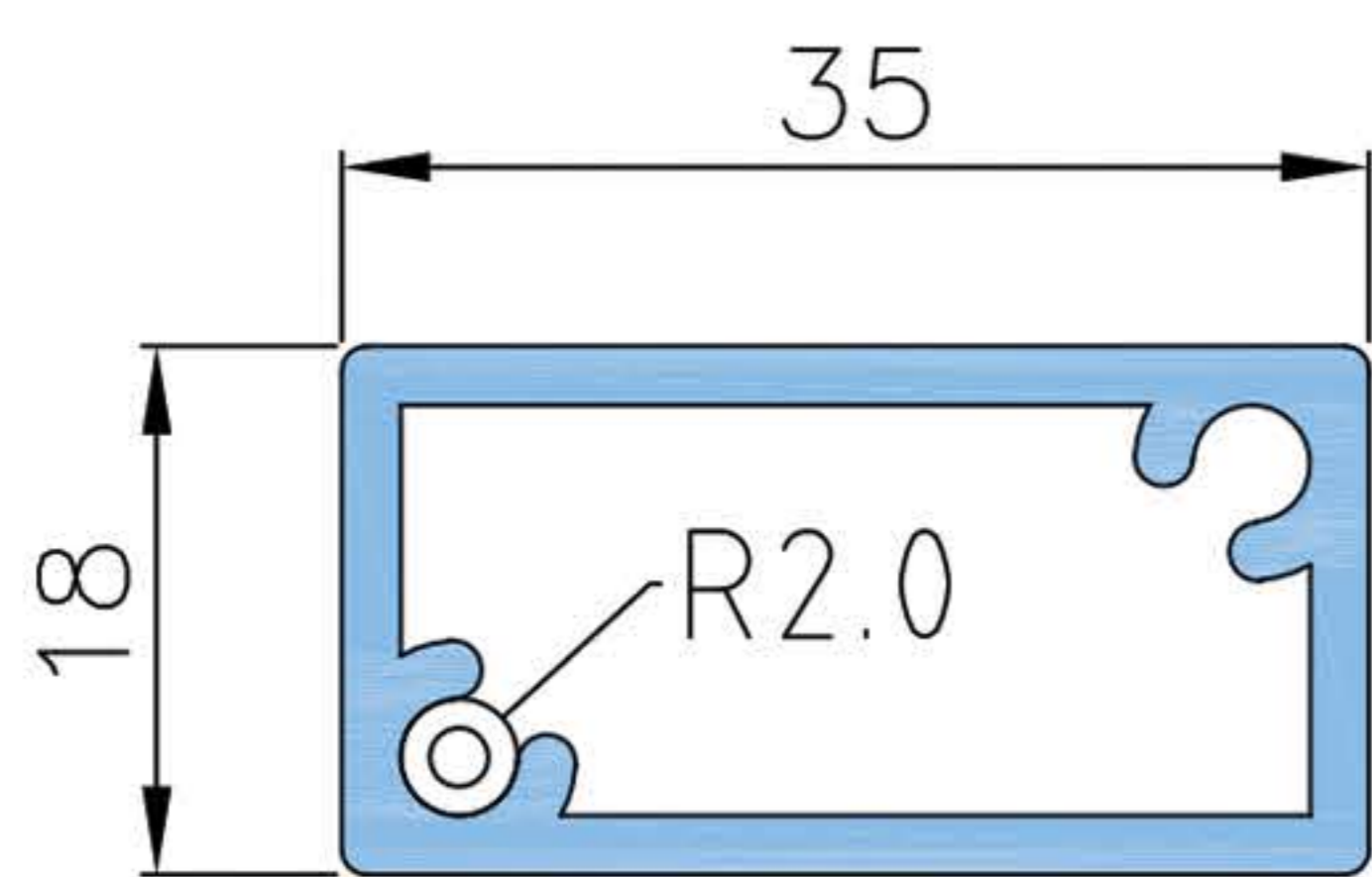
BLPEEF002349



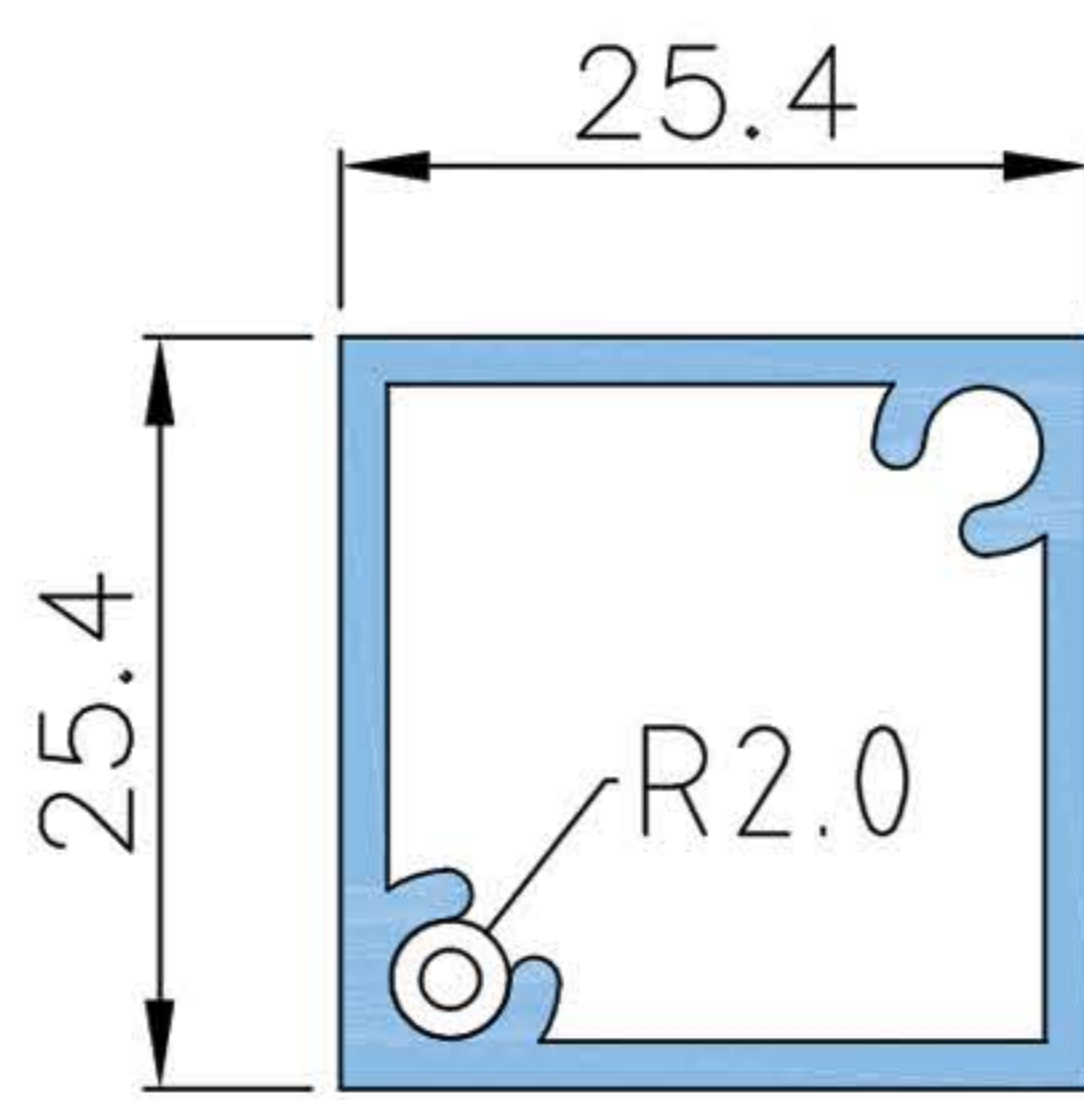
BLPEEF004232



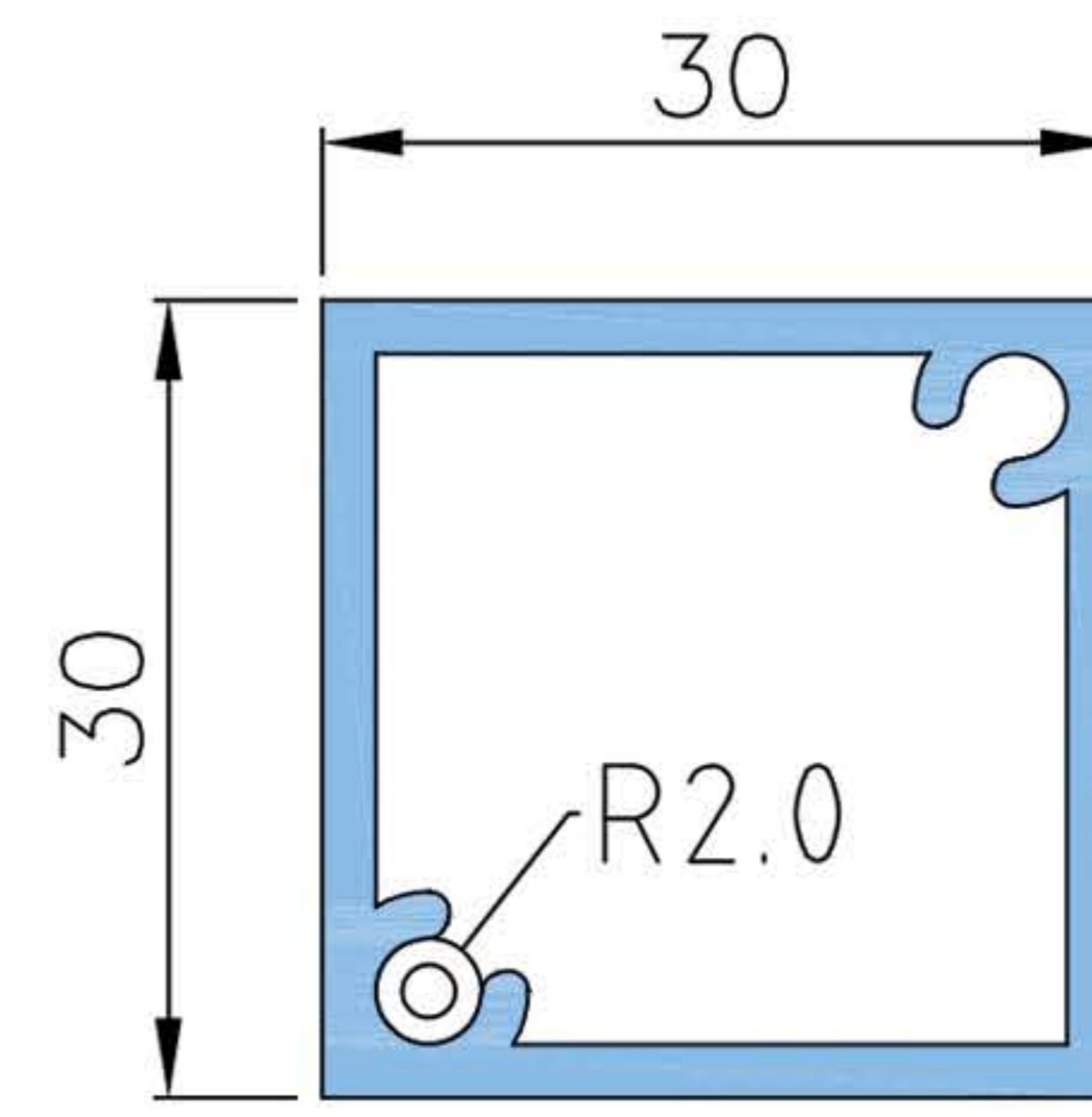
BLPEEF02442A



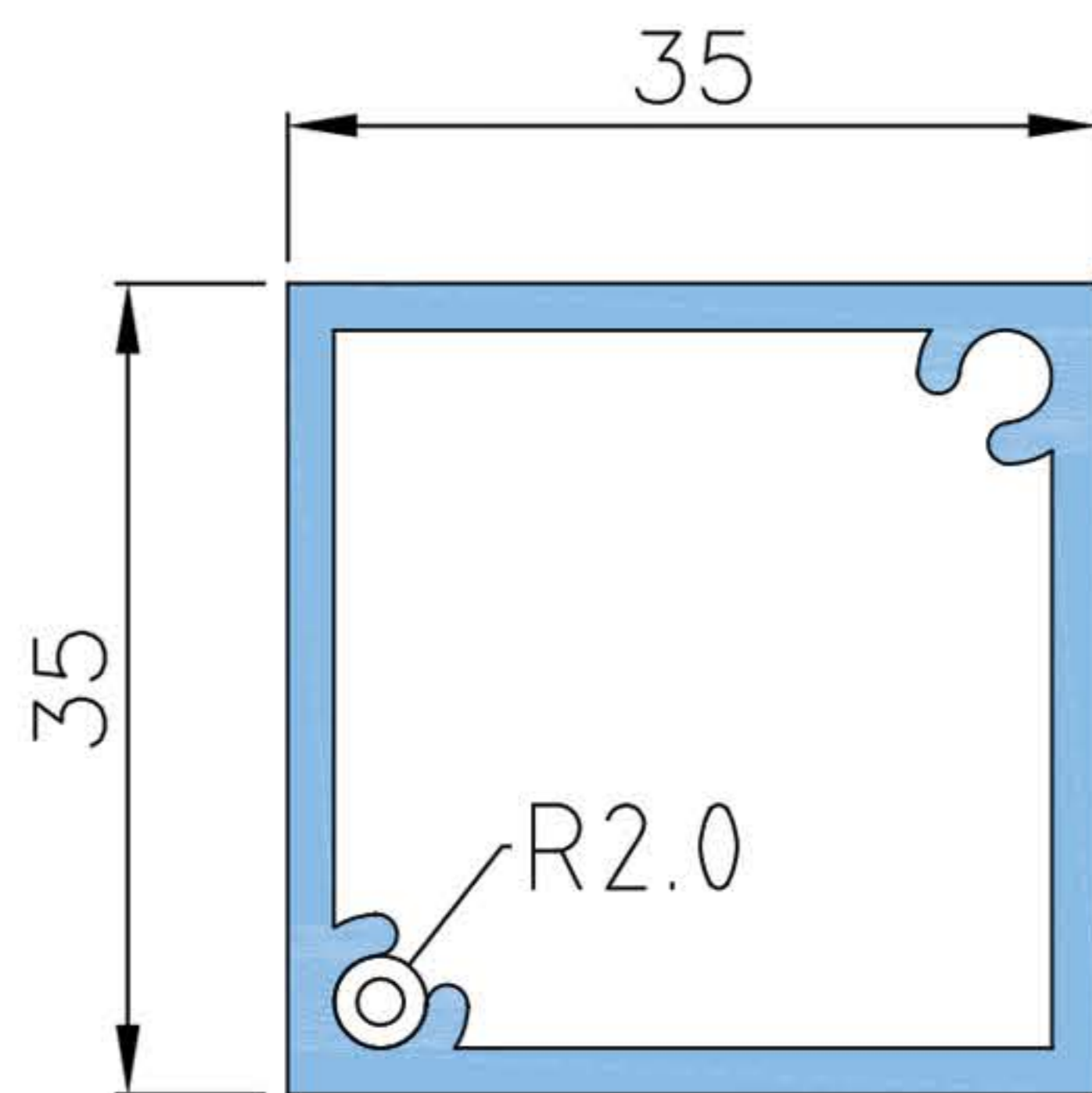
BLPWAE020189



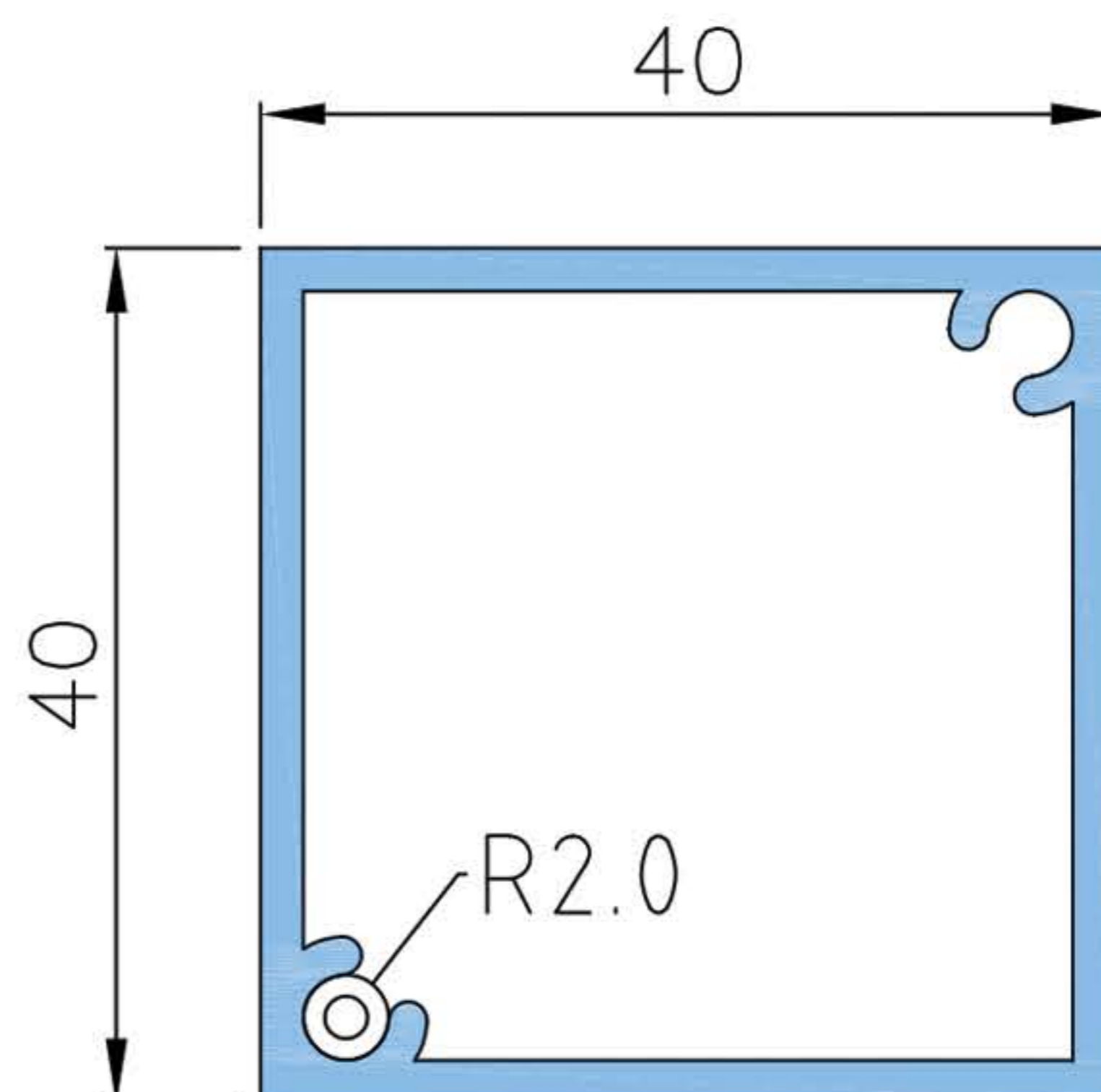
BLPWAE020184



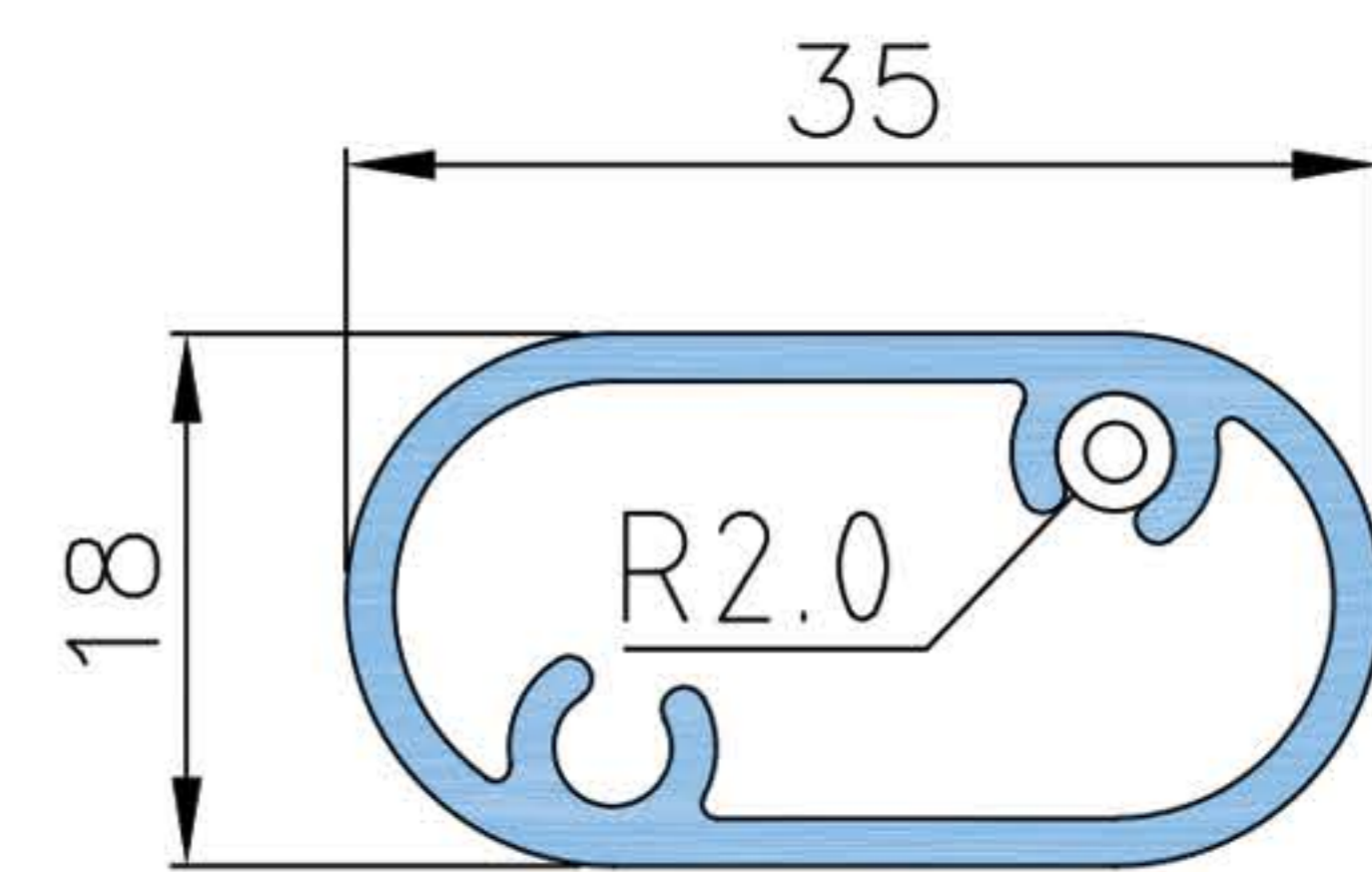
BLPEEF00262



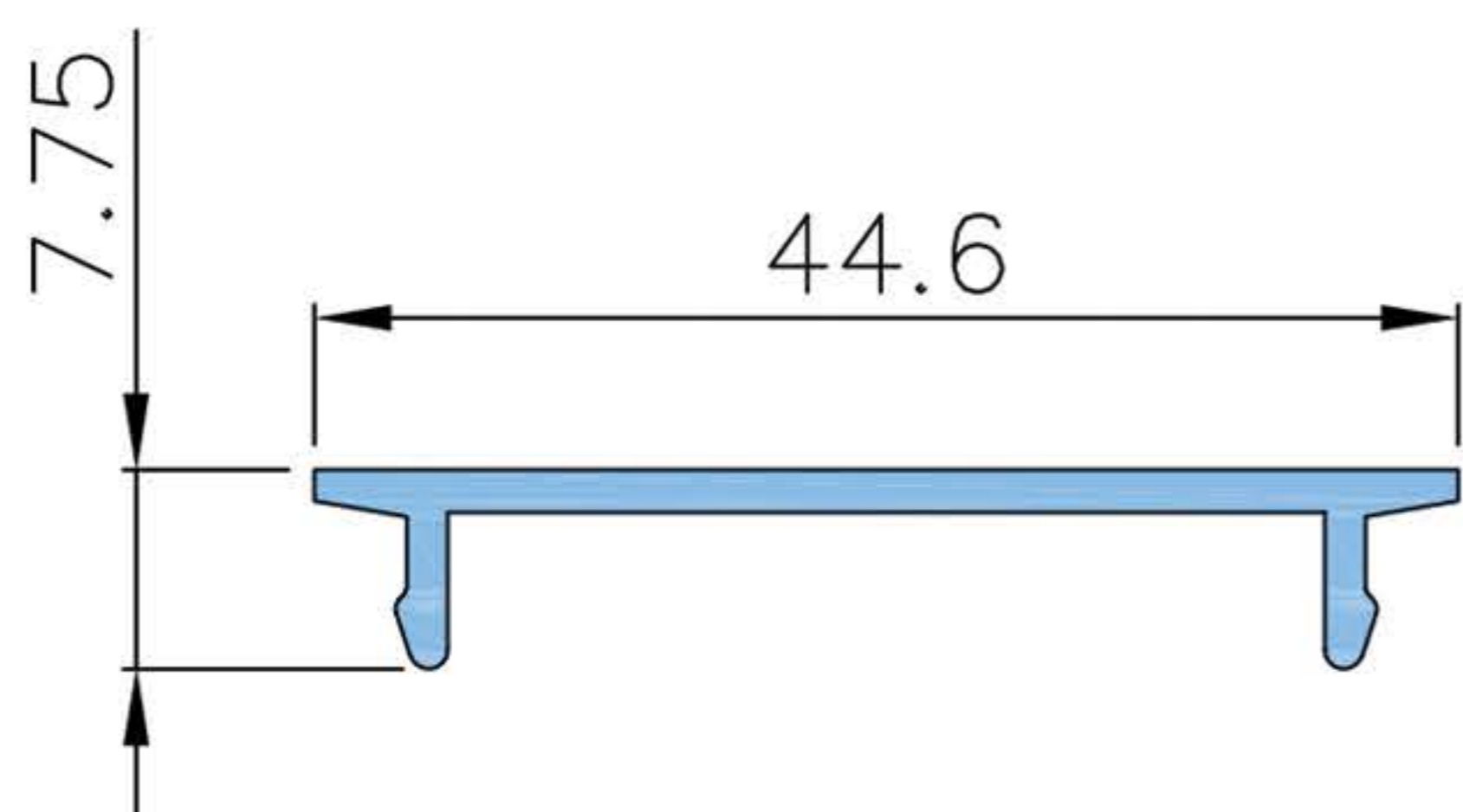
BLPWAE020190



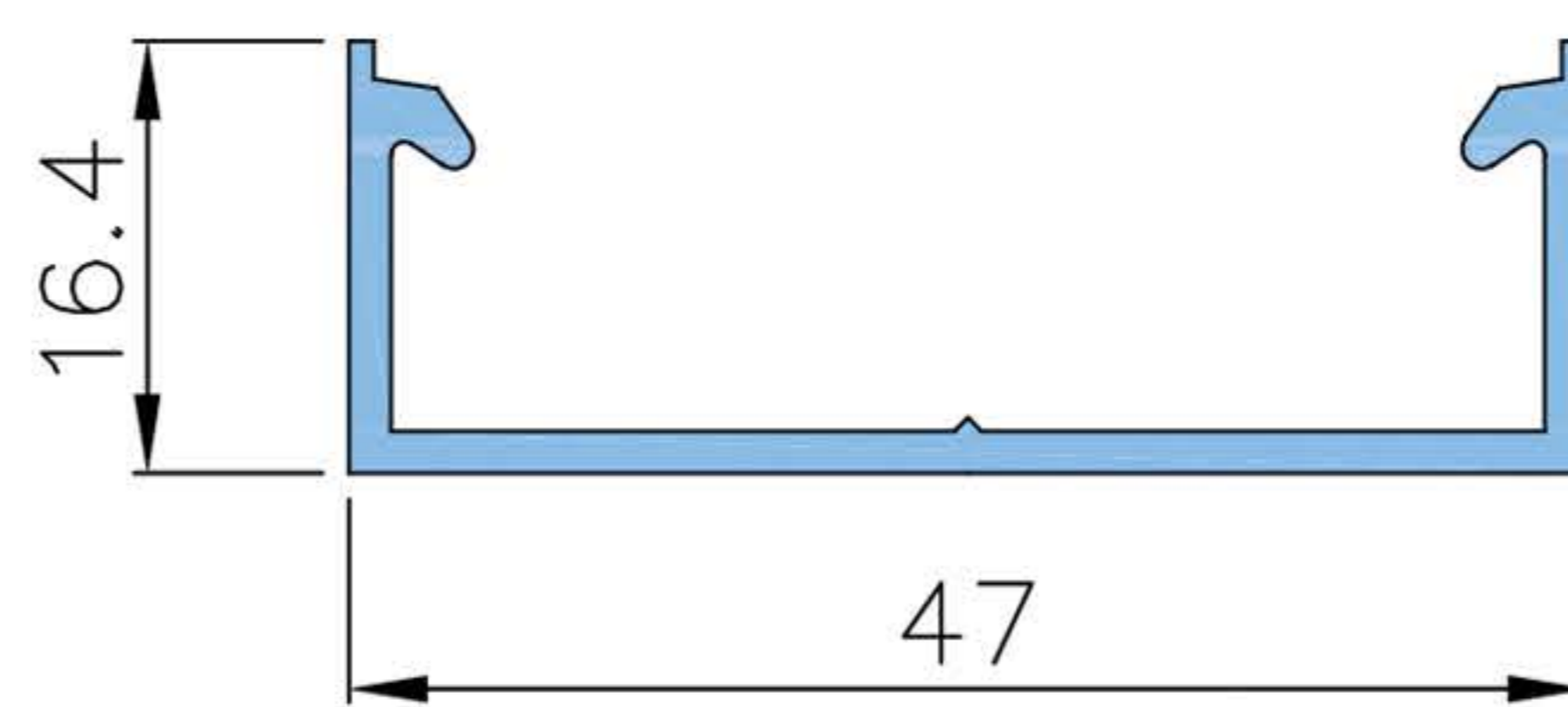
BLPWAE020181



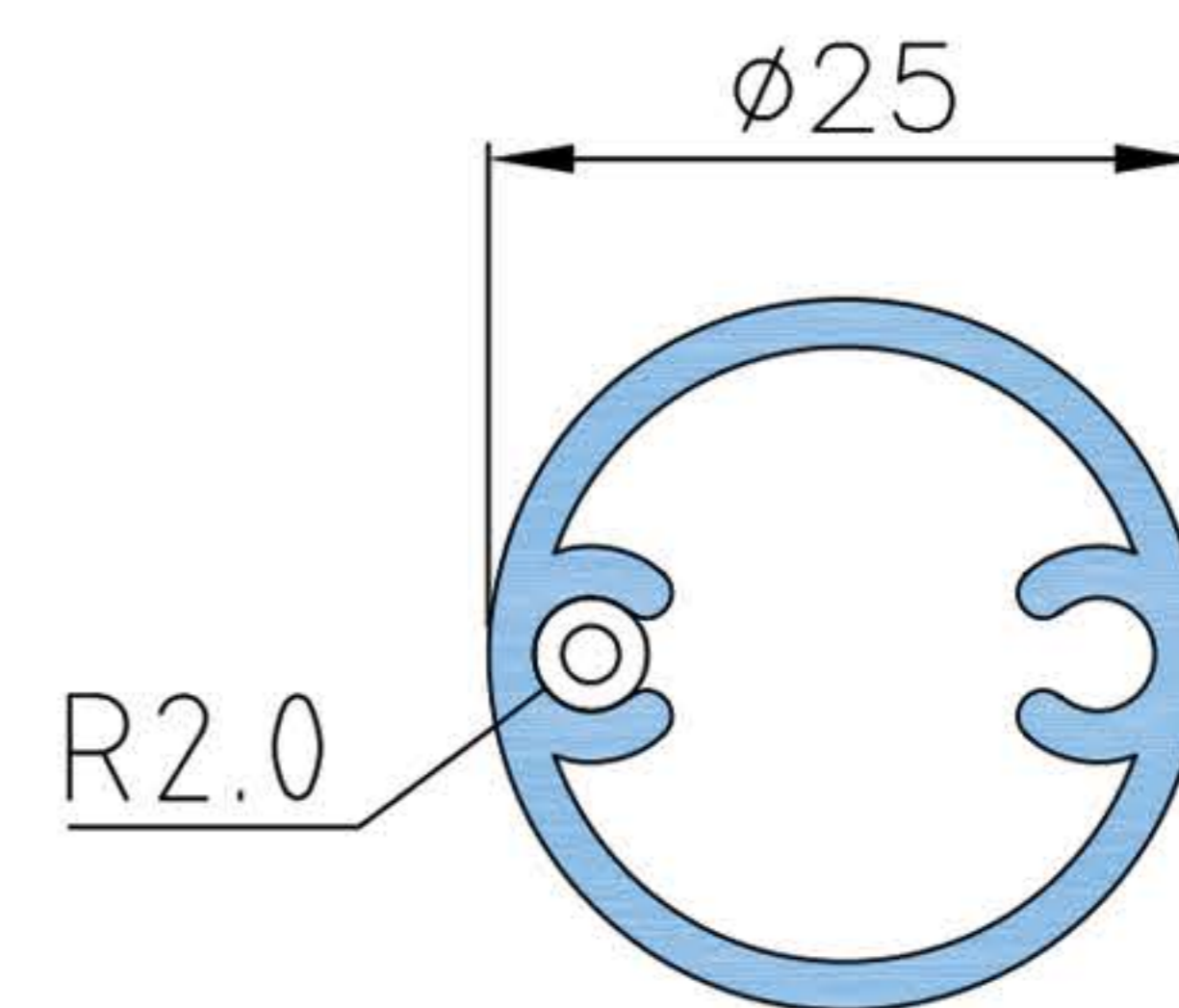
BLPEEF000261



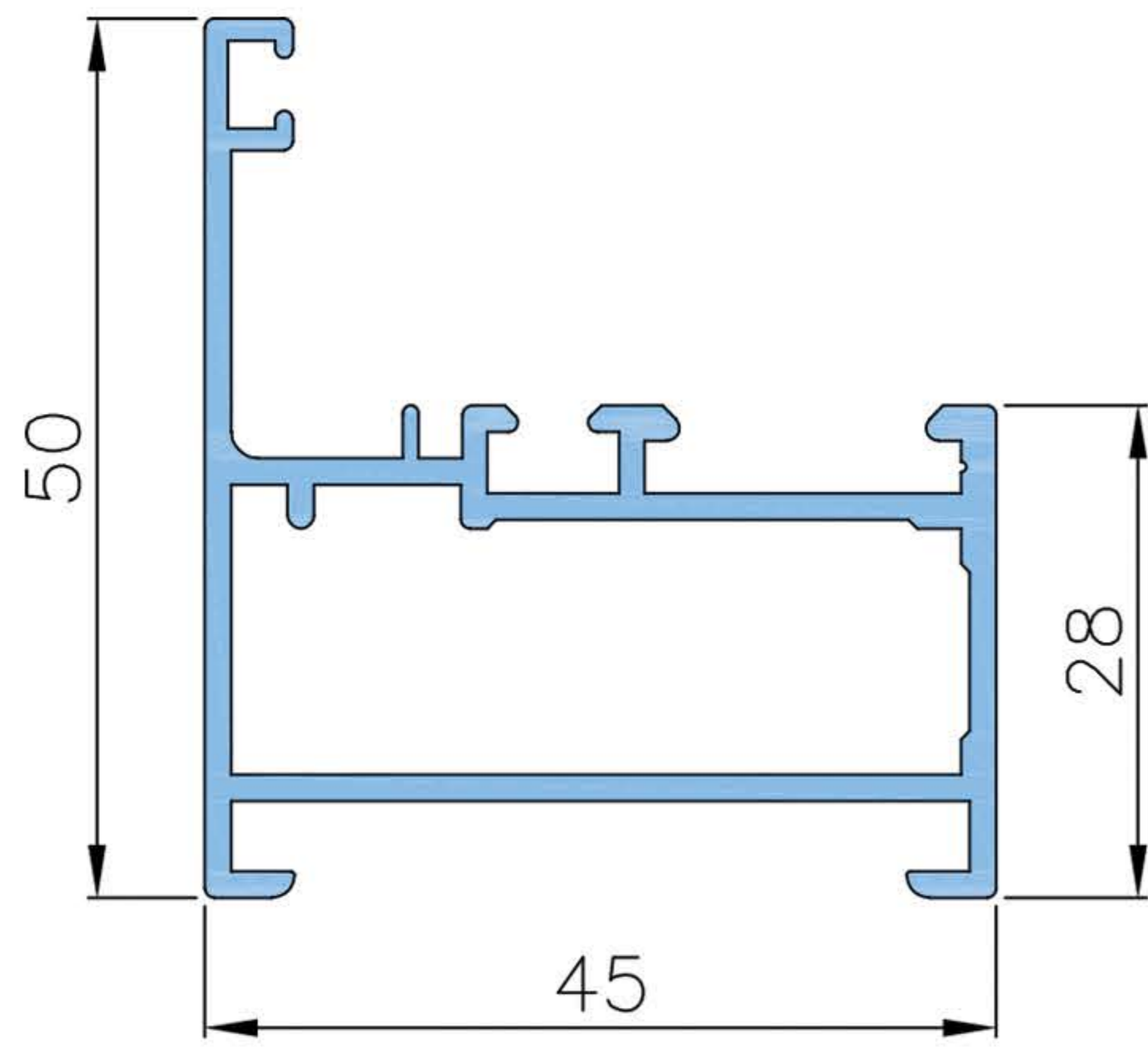
HDPEEF000134



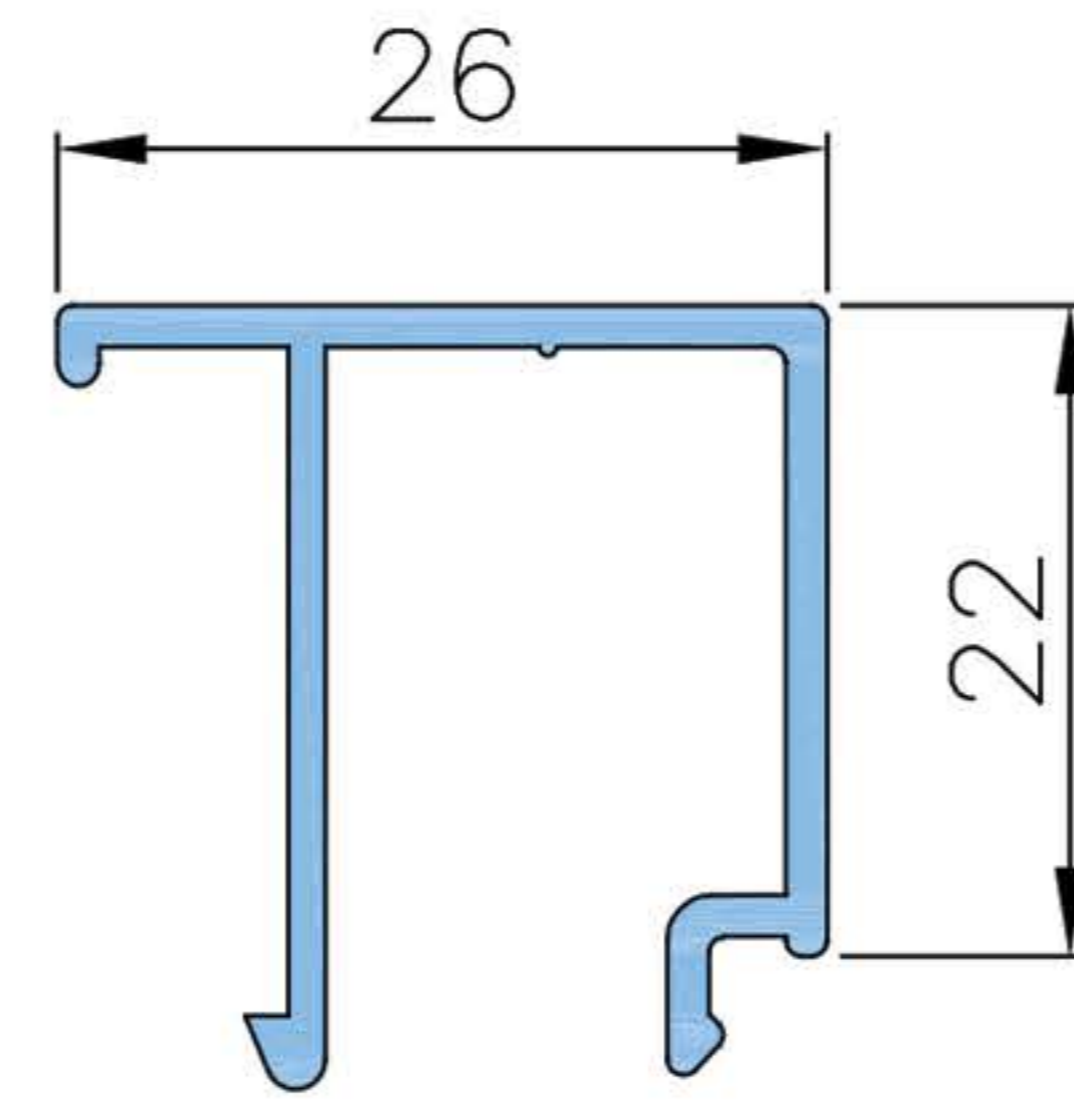
HDPEEF000147



BLPWAE020192

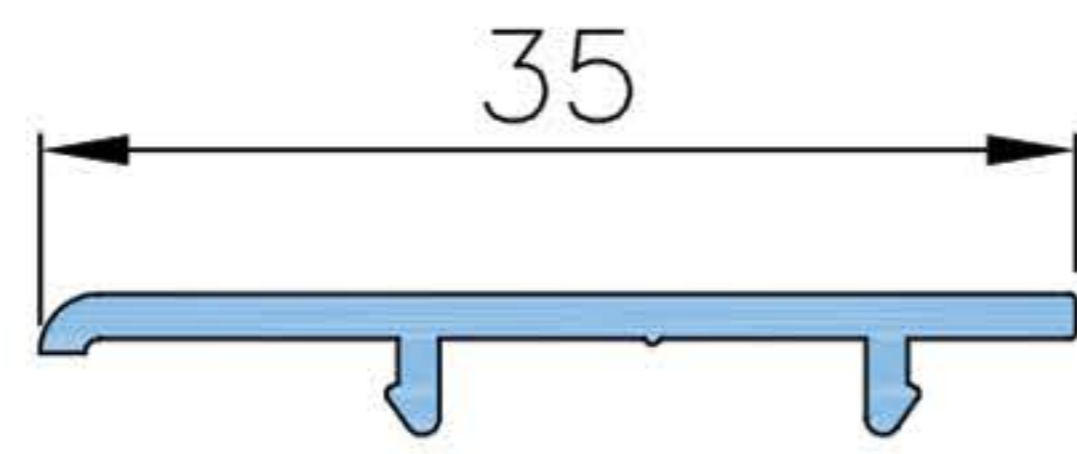
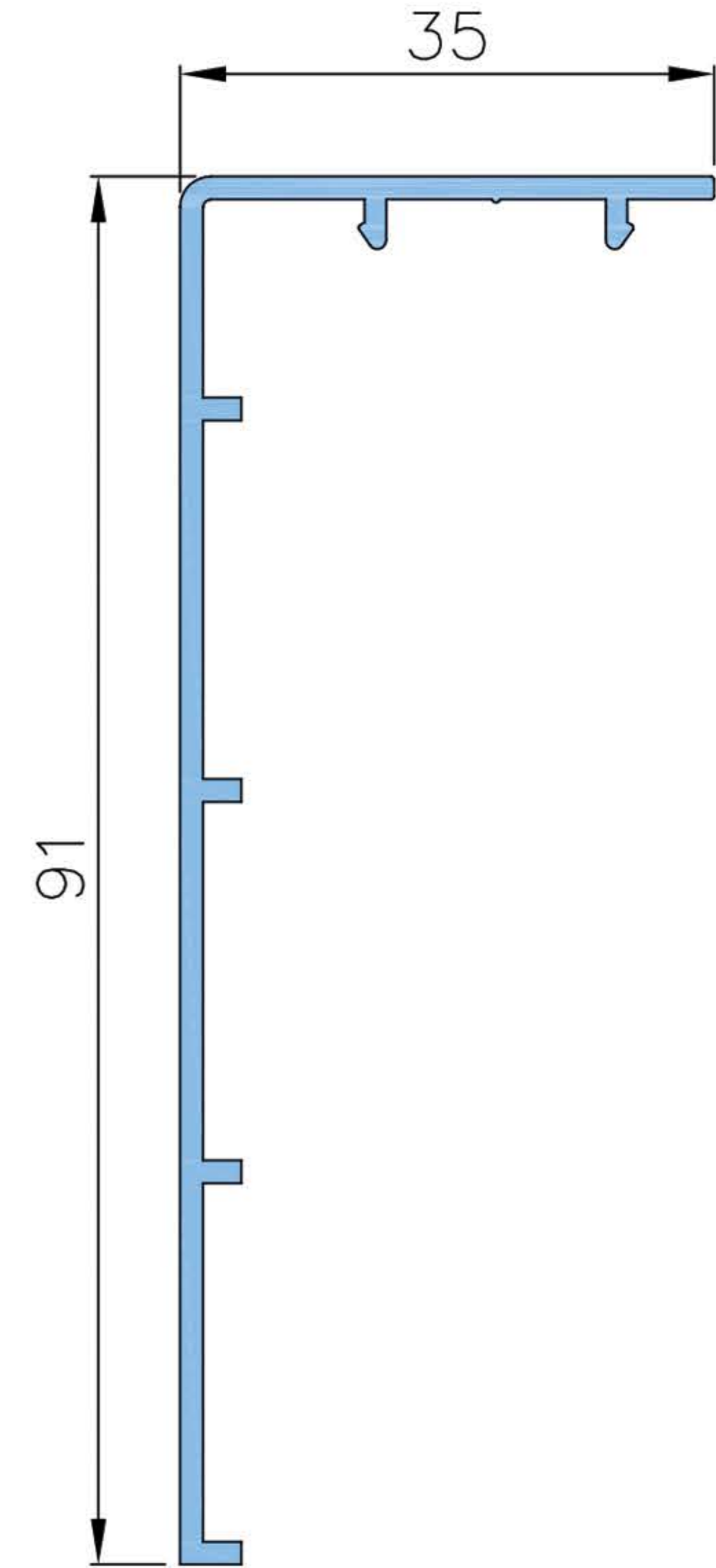


HNPEEF002922



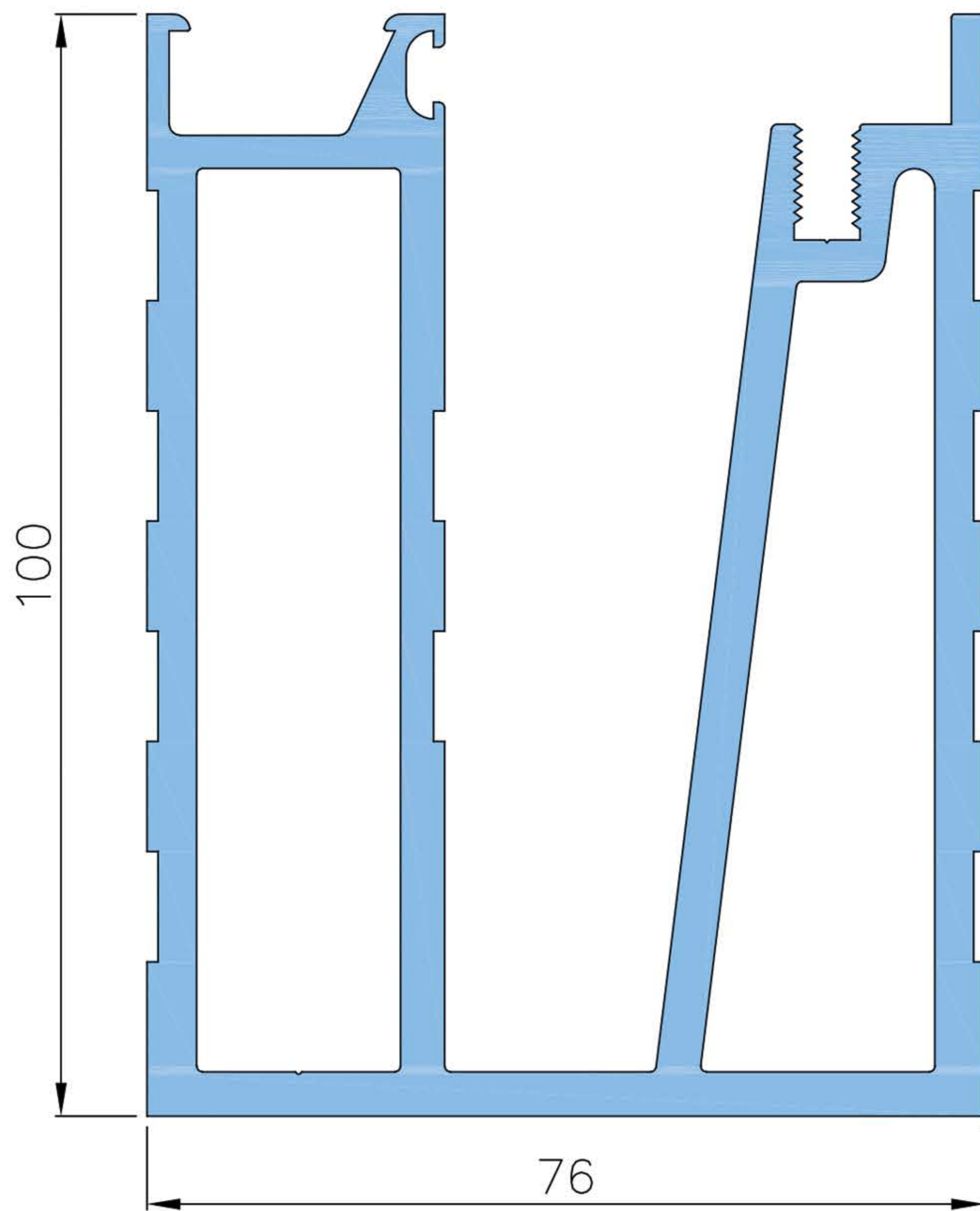
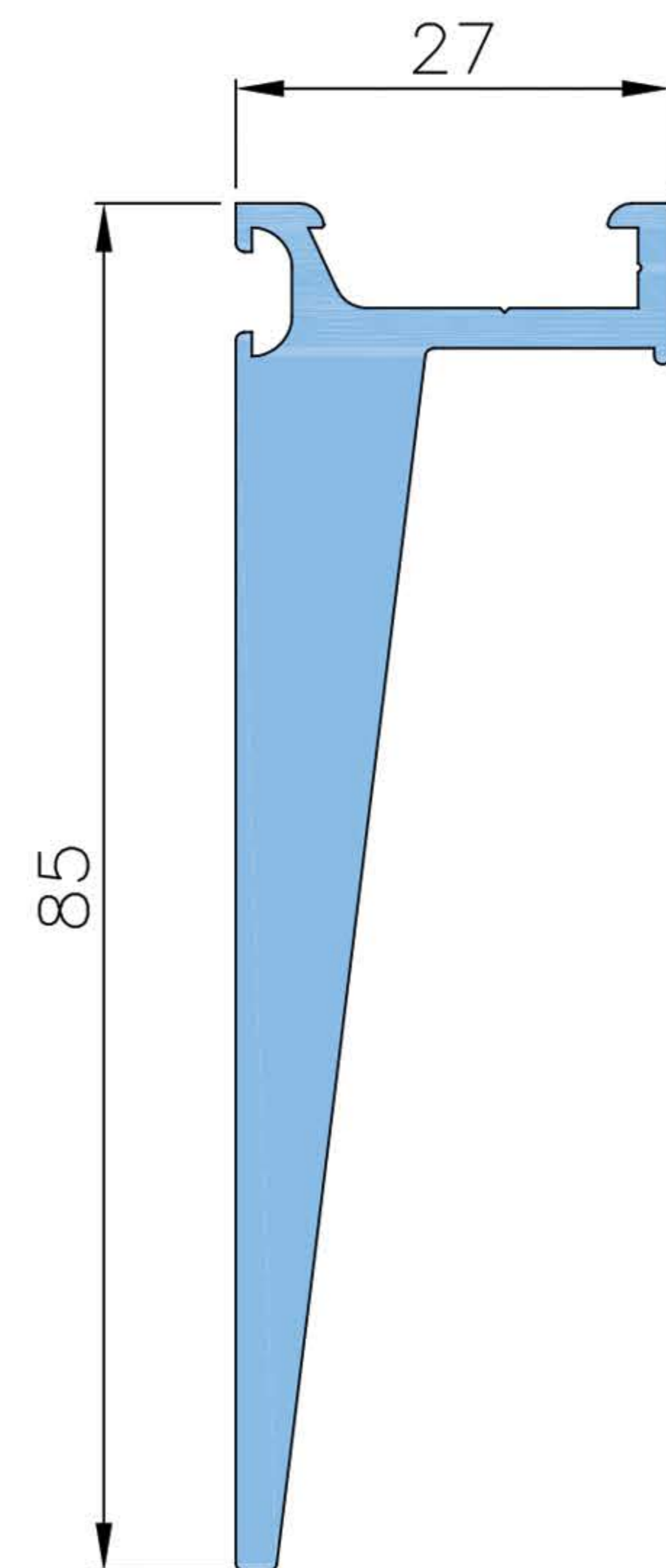
HNPEEF001712

HDPEEF000001















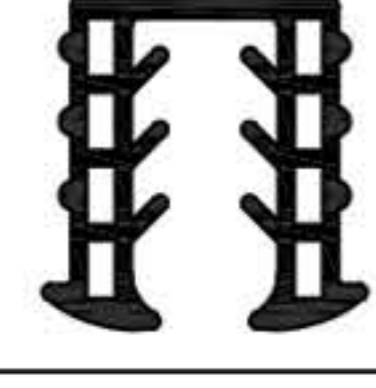


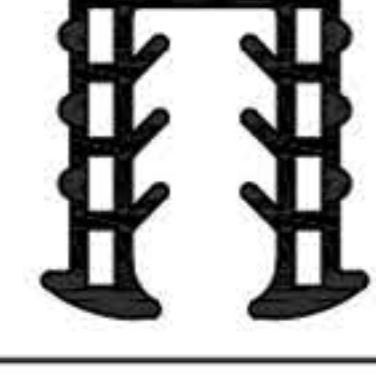
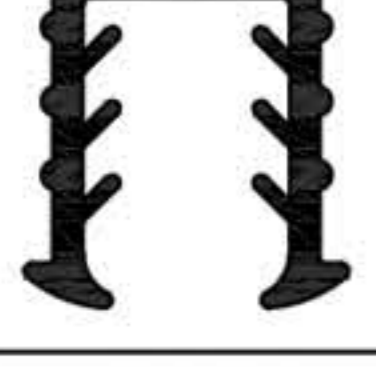
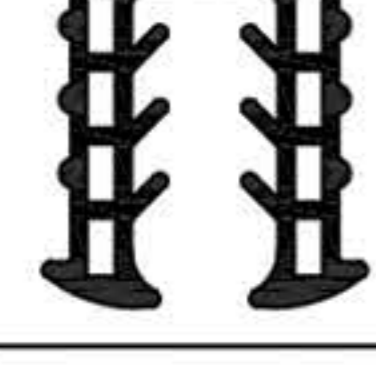

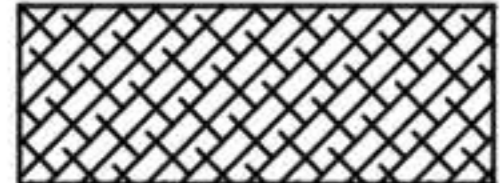
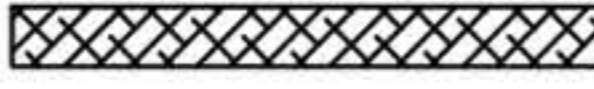


HDPEEF009209

HDPEEF009208



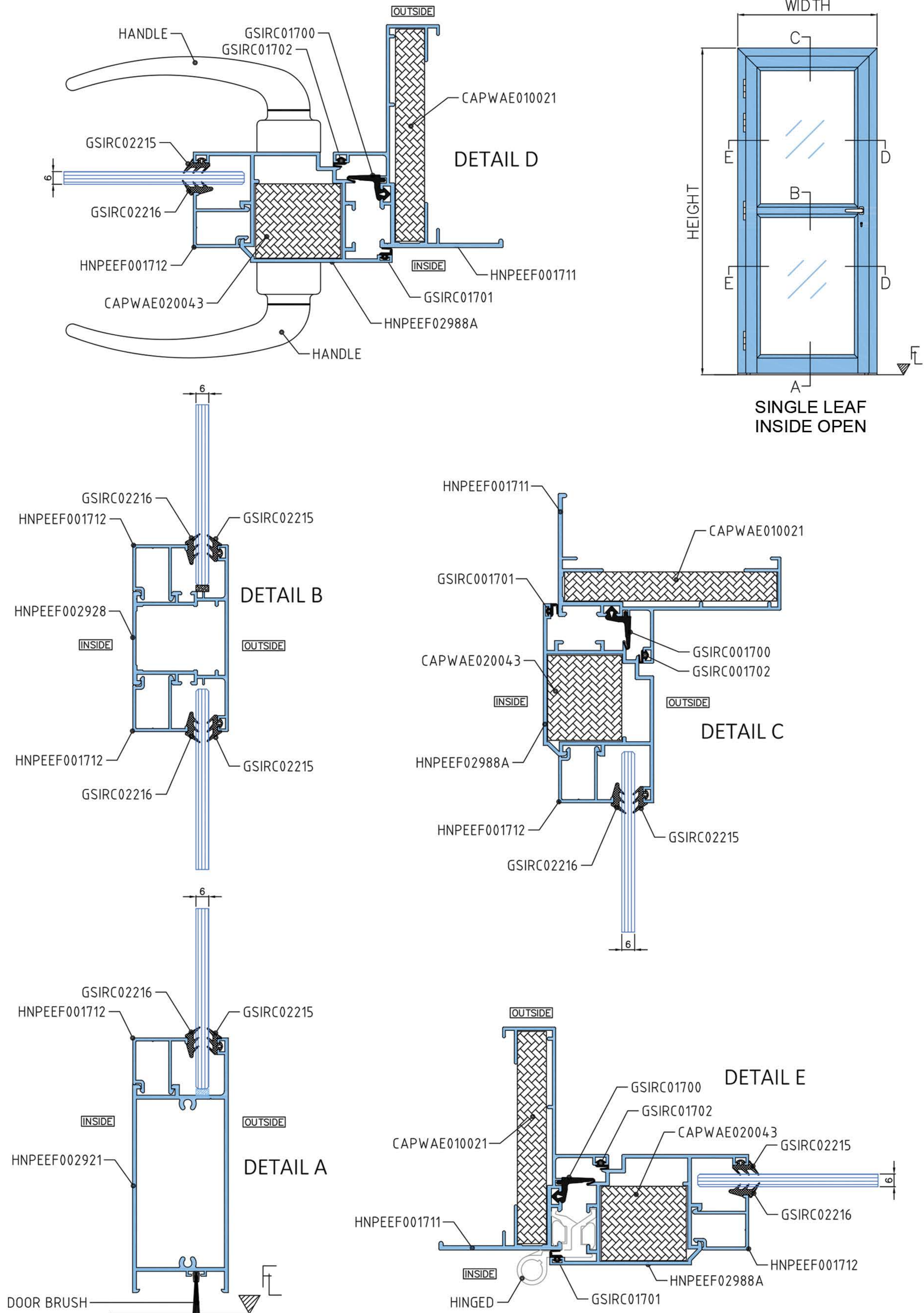
HDPEEF004672

SHAPE	CODE	DESCRIPTION	SHAPE	CODE	DESCRIPTION
	GRIRC02215	OUTSIDE GLASS FILLER			U GASKET FOR HDPEEF004612 10MM GLASS
	GRIRC02216	INSIDE GLASS FILLER			U GASKET FOR HDPEEF004612 6MM GLASS
		U GASKET FOR HDPWAE020179 10MM GLASS			U GASKET FOR HDPEEF004658 10MM GLASS
		U GASKET FOR HDPWAE020179 6MM GLASS			U GASKET FOR HDPEEF004658 6MM GLASS
		U GASKET FOR HDPEEF004373 10MM GLASS			U GASKET FOR HDPEEF004455 10MM GLASS
		U GASKET FOR HDPEEF004373 6MM GLASS			U GASKET FOR HDPEEF004455 6MM GLASS
		U GASKET FOR HDPWAE020375 10MM GLASS			GLASS HOLDER
		U GASKET FOR HDPWAE020375 6MM GLASS			TOP RAIL ACCESSORY
		U GASKET FOR HDPEEF000283 10MM GLASS			
		U GASKET FOR HDPEEF000283 6MM GLASS			
		U GASKET FOR HDPEEF004595 10MM GLASS			
		U GASKET FOR HDPEEF004595 6MM GLASS			
		GASKET FOR BLPEEF004672 BLPEEF009208			
		SETTING BLOCK			
		SETTING BLOCK			

# HINGED DOORS

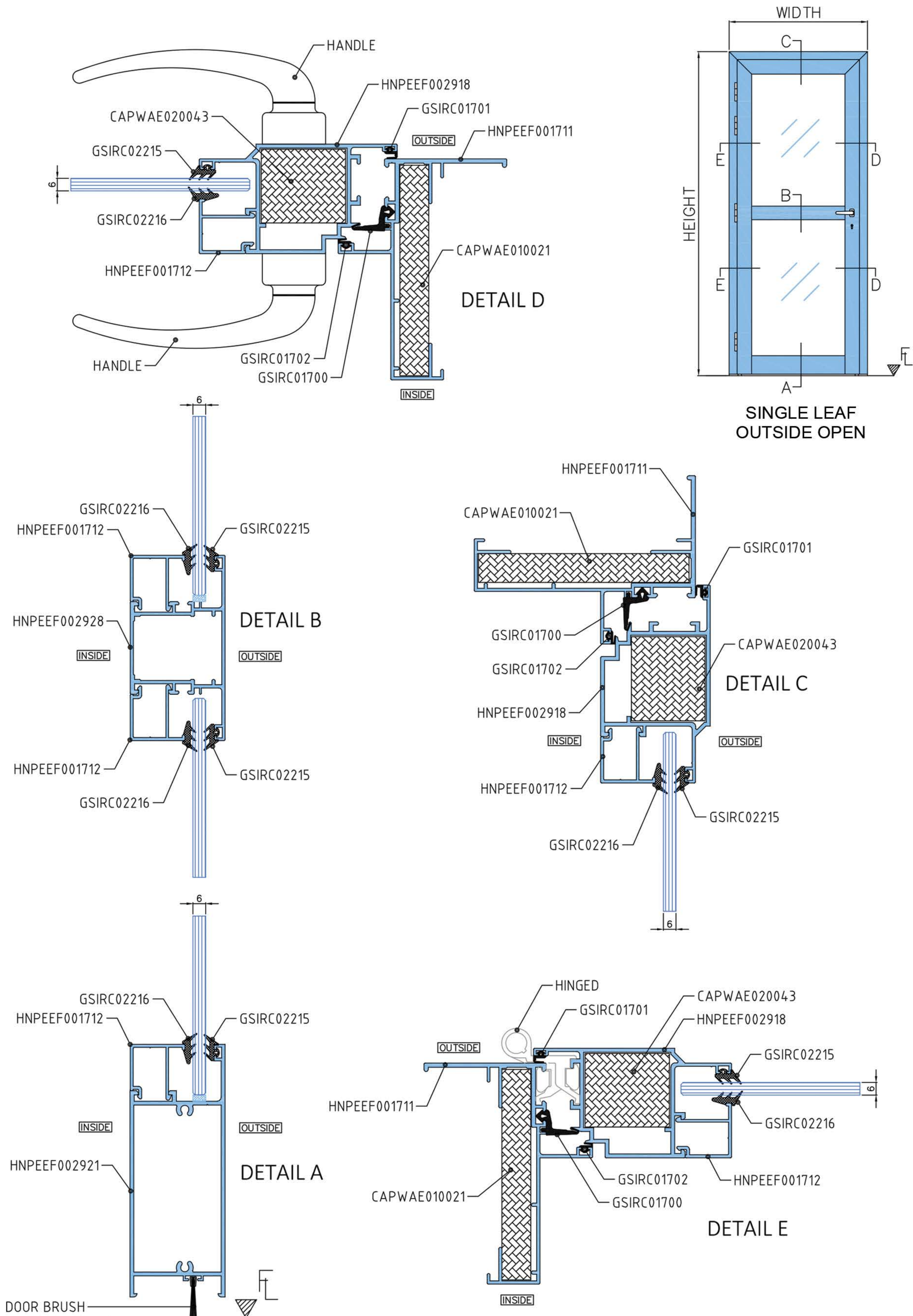


**HINGED DOOR**



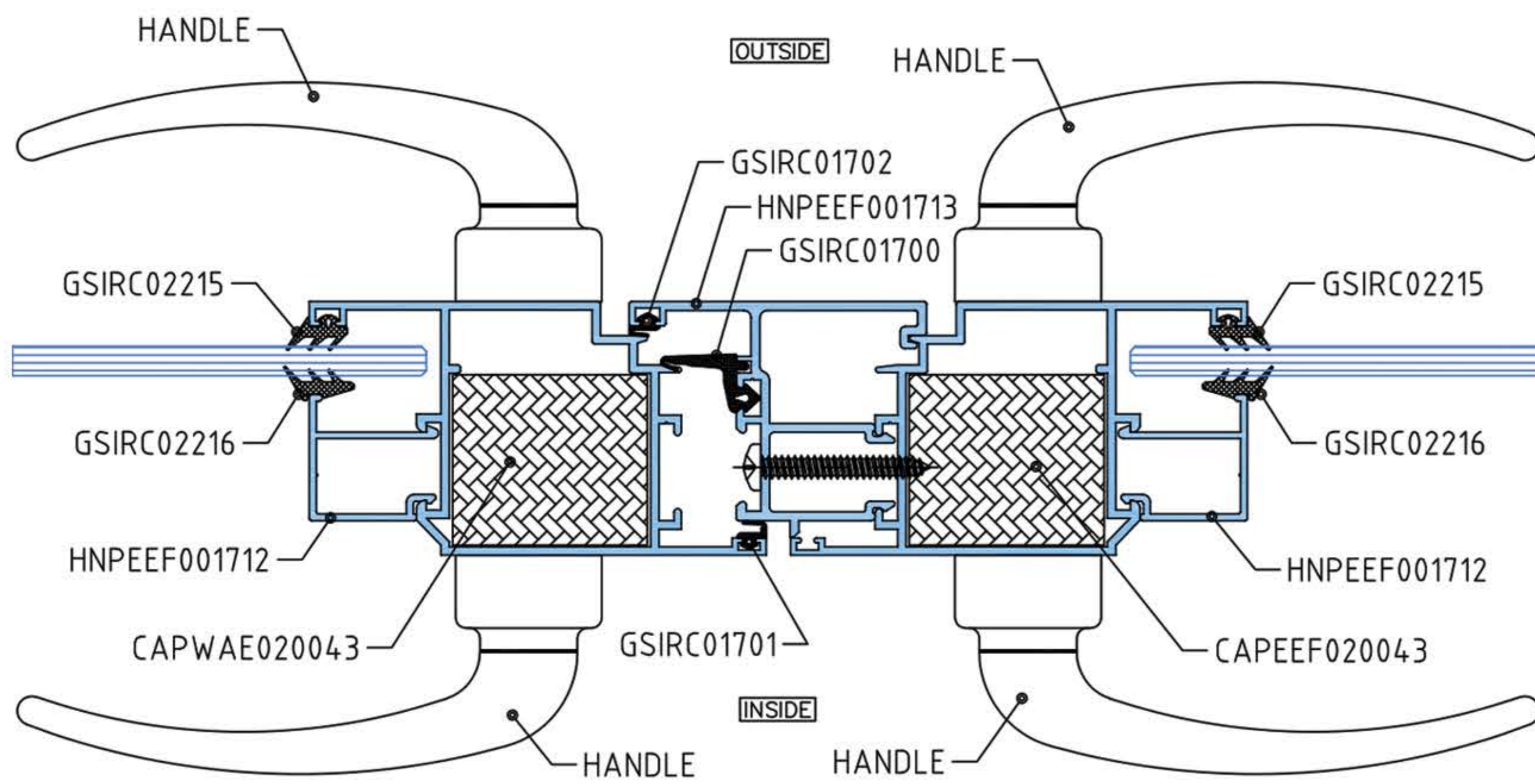
As Prospec Specialties' policy is one of continual progress for the improvement of the company's services to its customers, the company reserves the right to modify the specifications of its products without notice.

**HINGED DOOR**

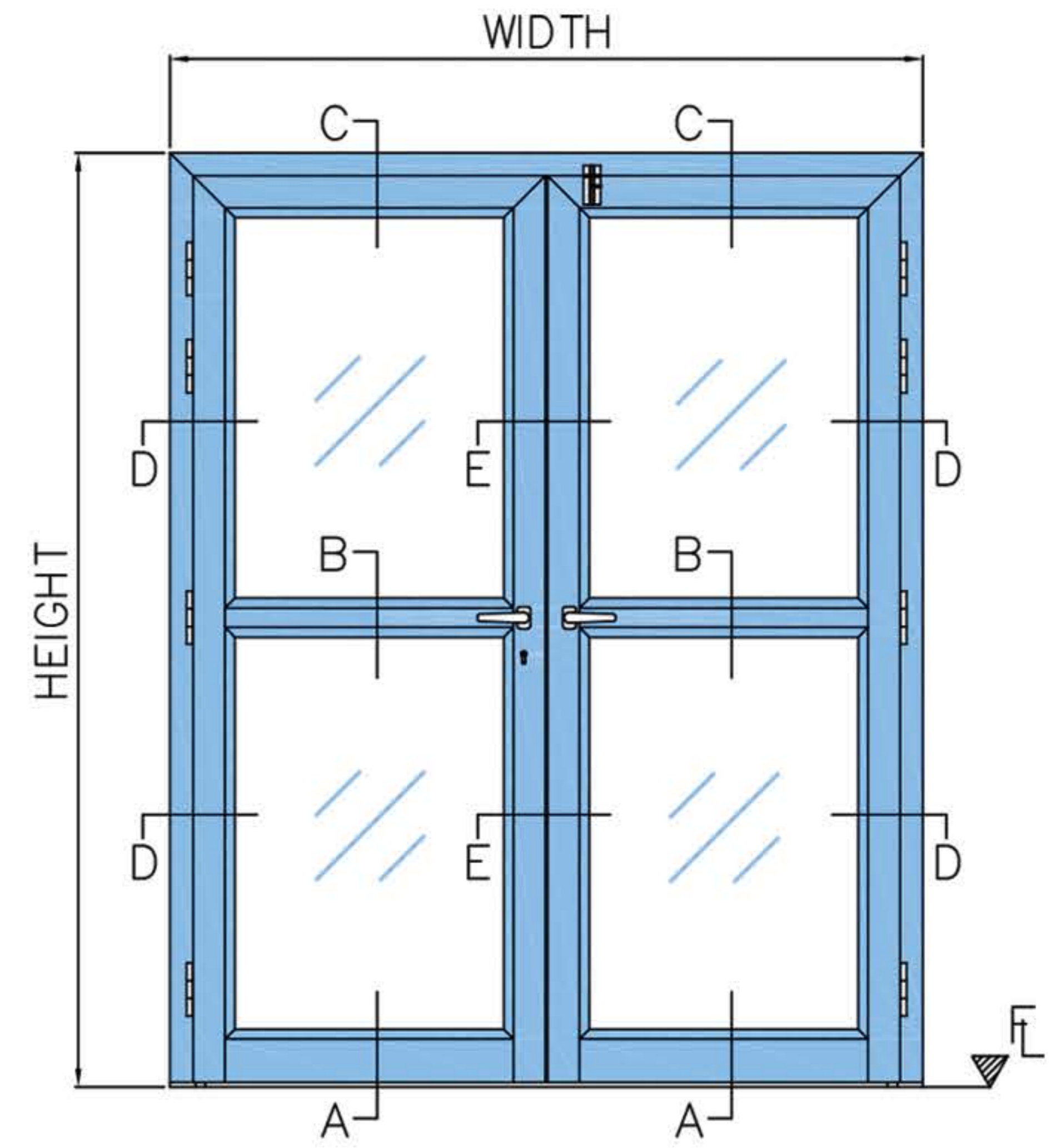


As Prospec Specialties' policy is one of continual progress for the improvement of the company's services to its customers, the company reserves the right to modify the specifications of its products without notice.

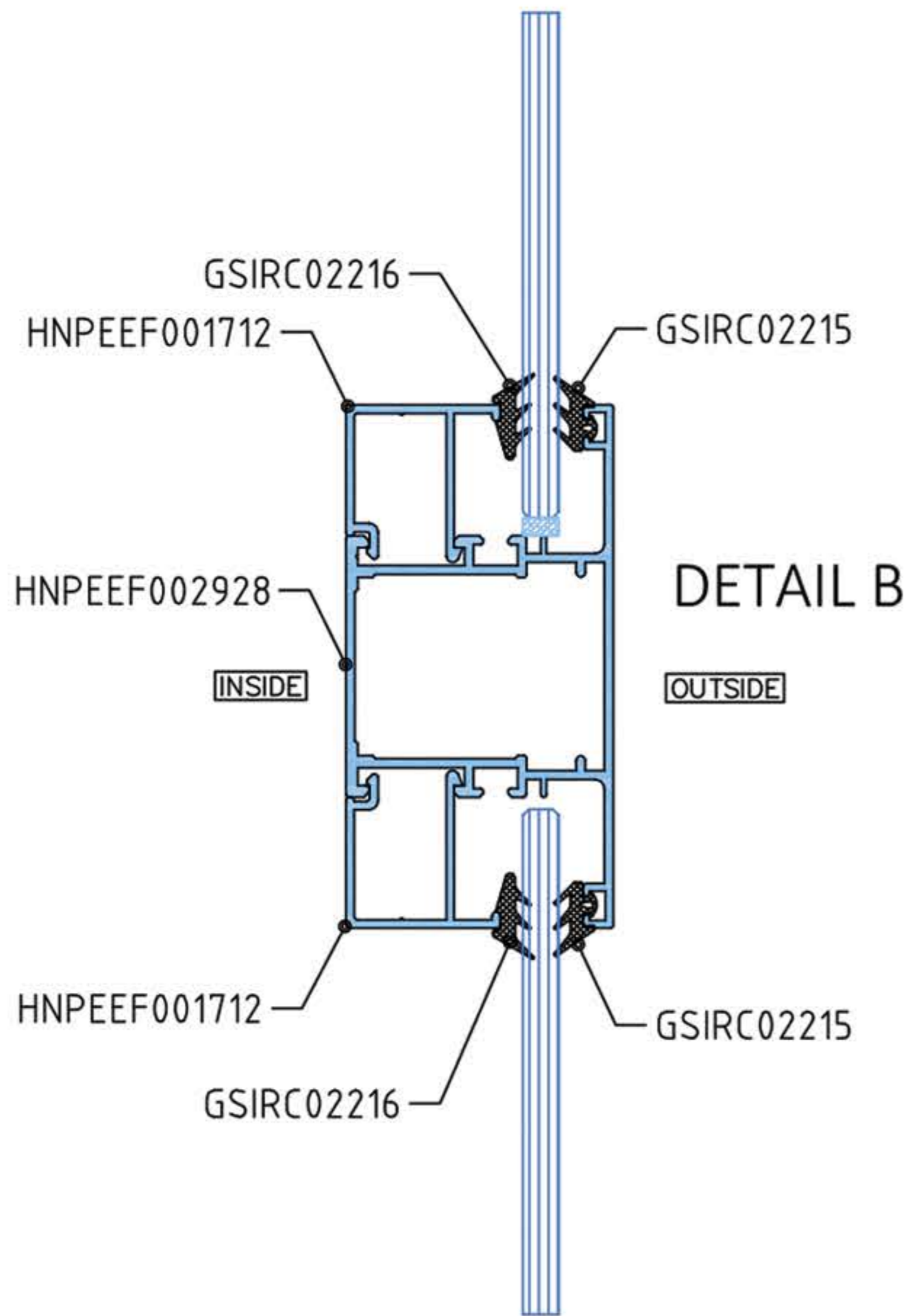
**HINGED DOOR**



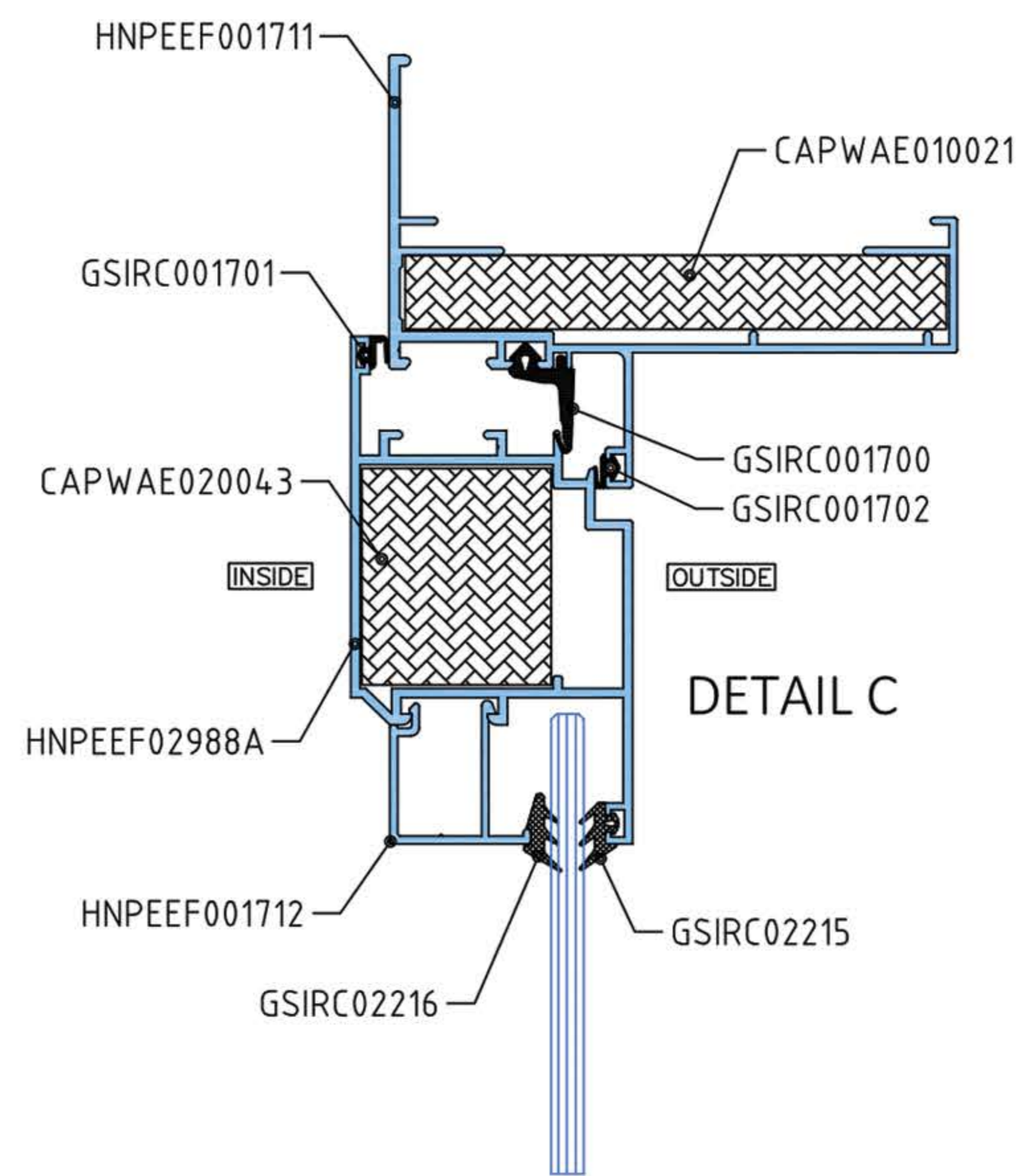
**DETAIL E**



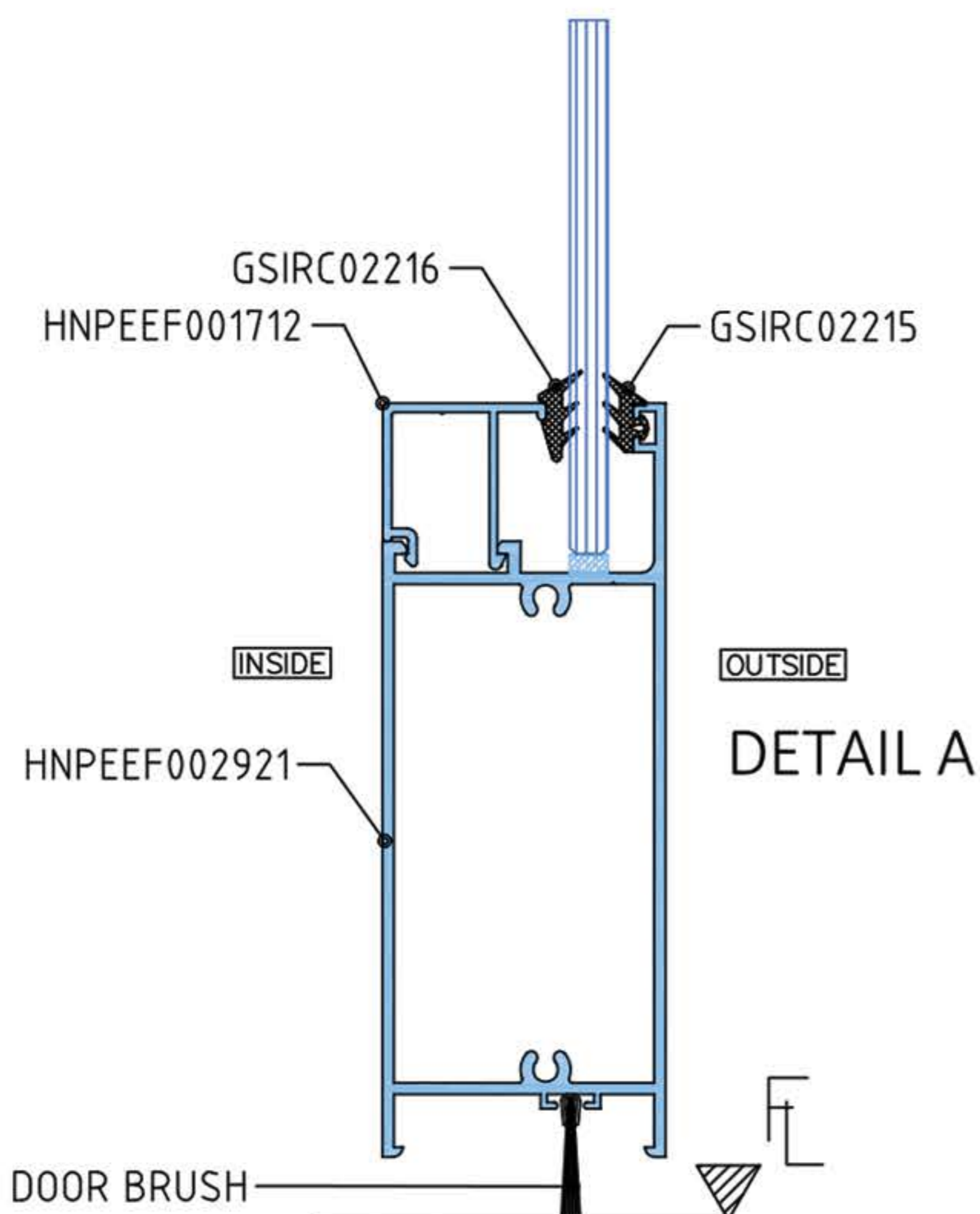
**DOUBLE LEAF  
INSIDE OPEN**



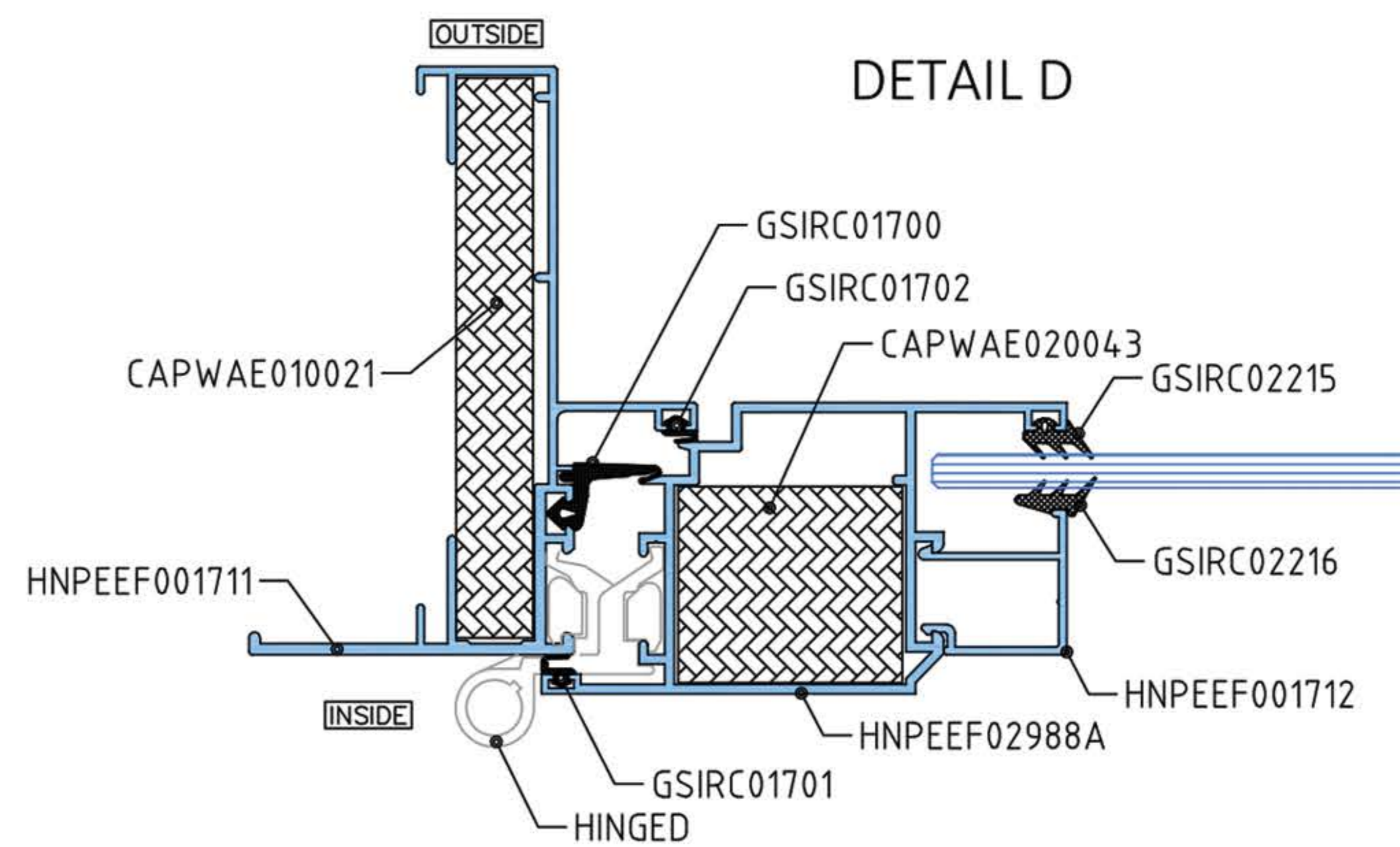
**DETAIL B**



**DETAIL C**



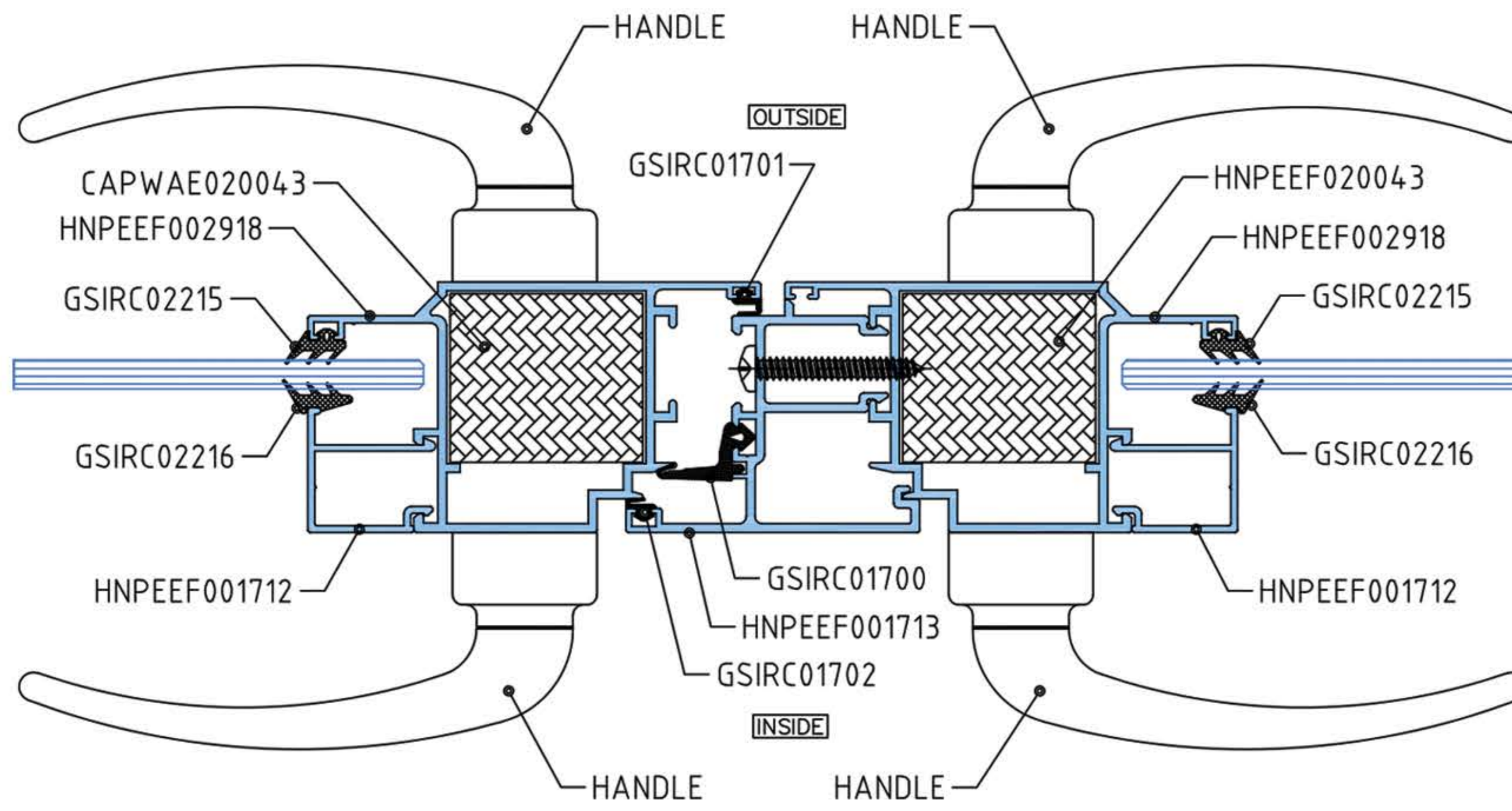
**DETAIL A**



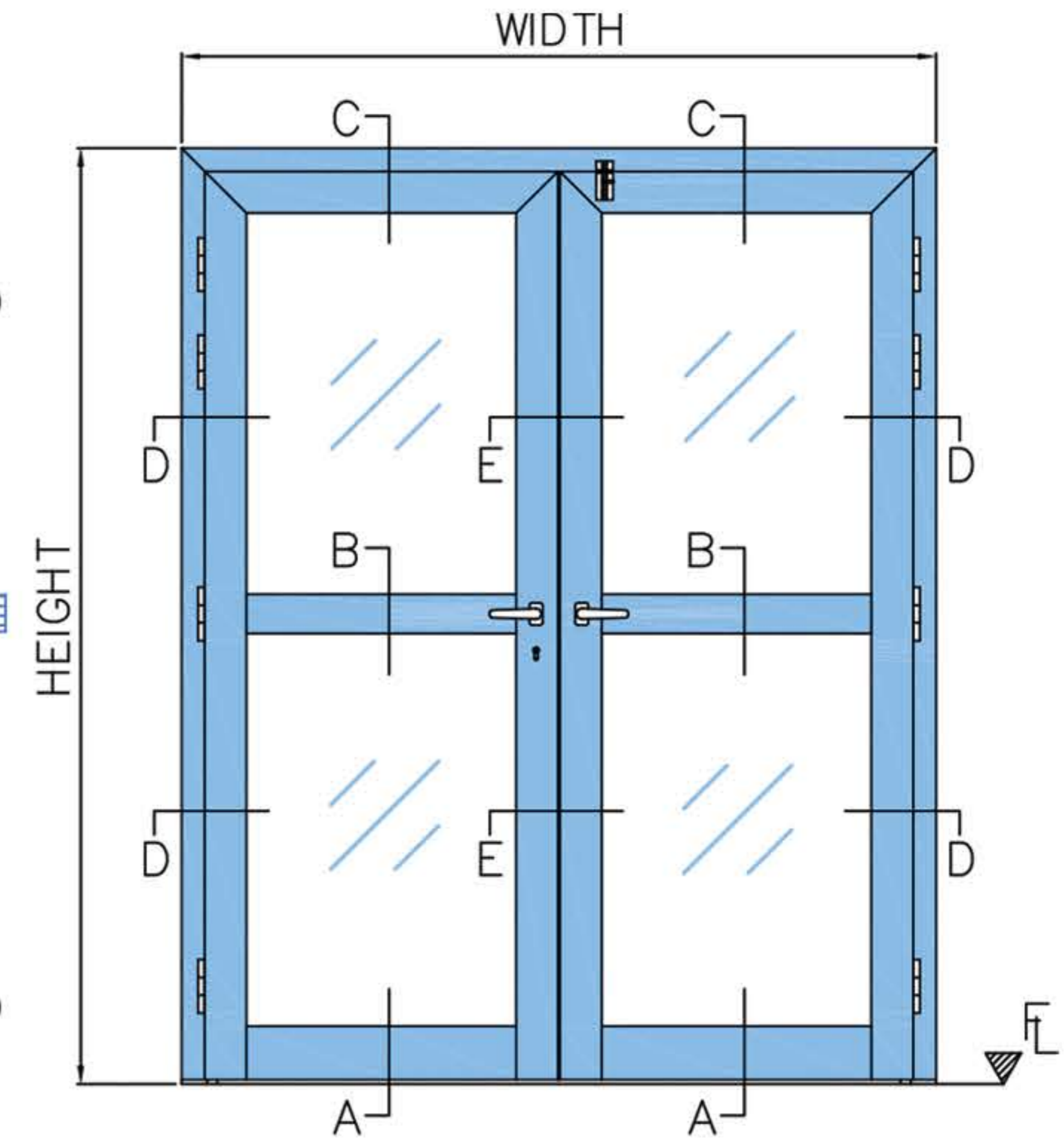
**DETAIL D**



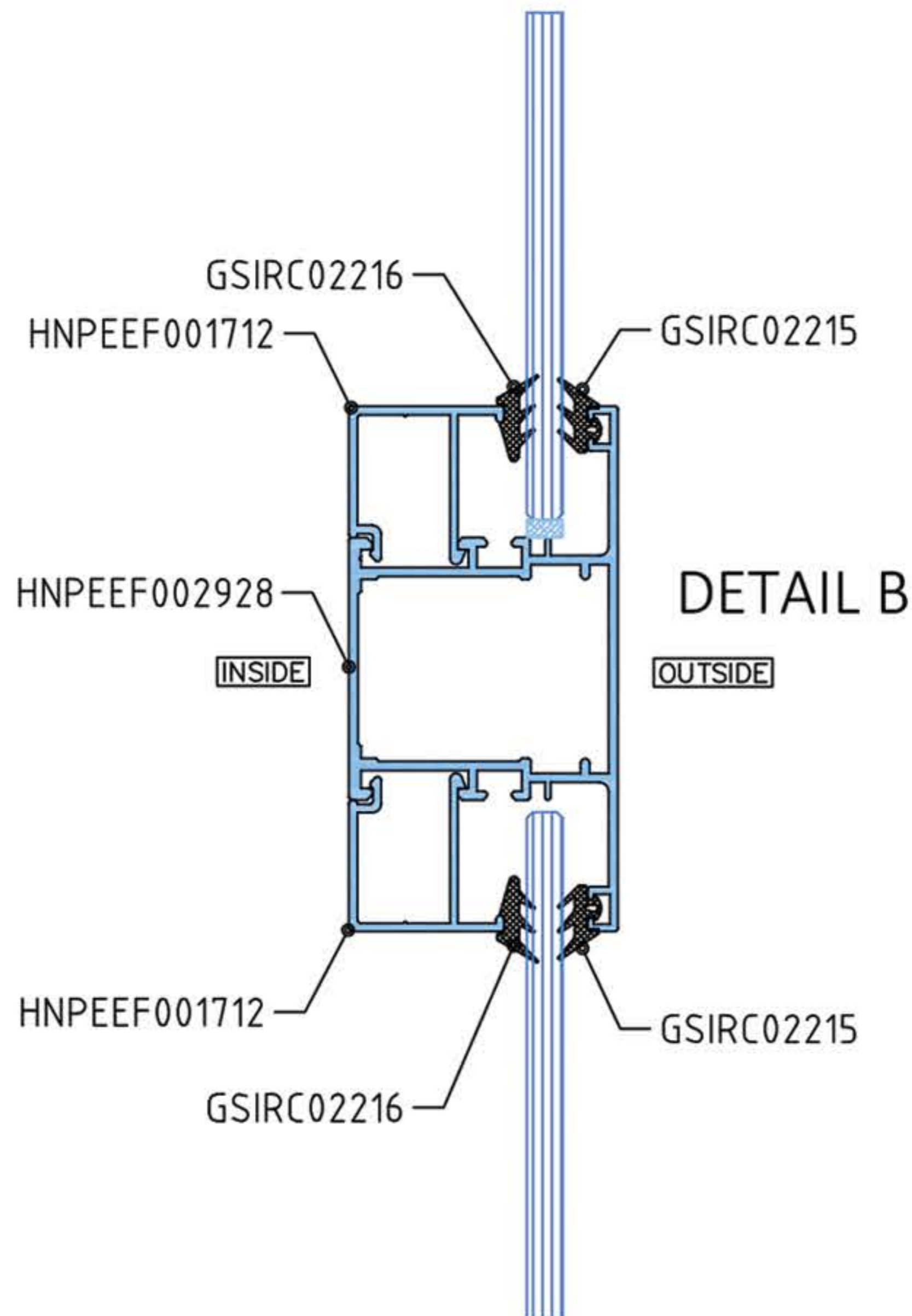
**HINGED DOOR**



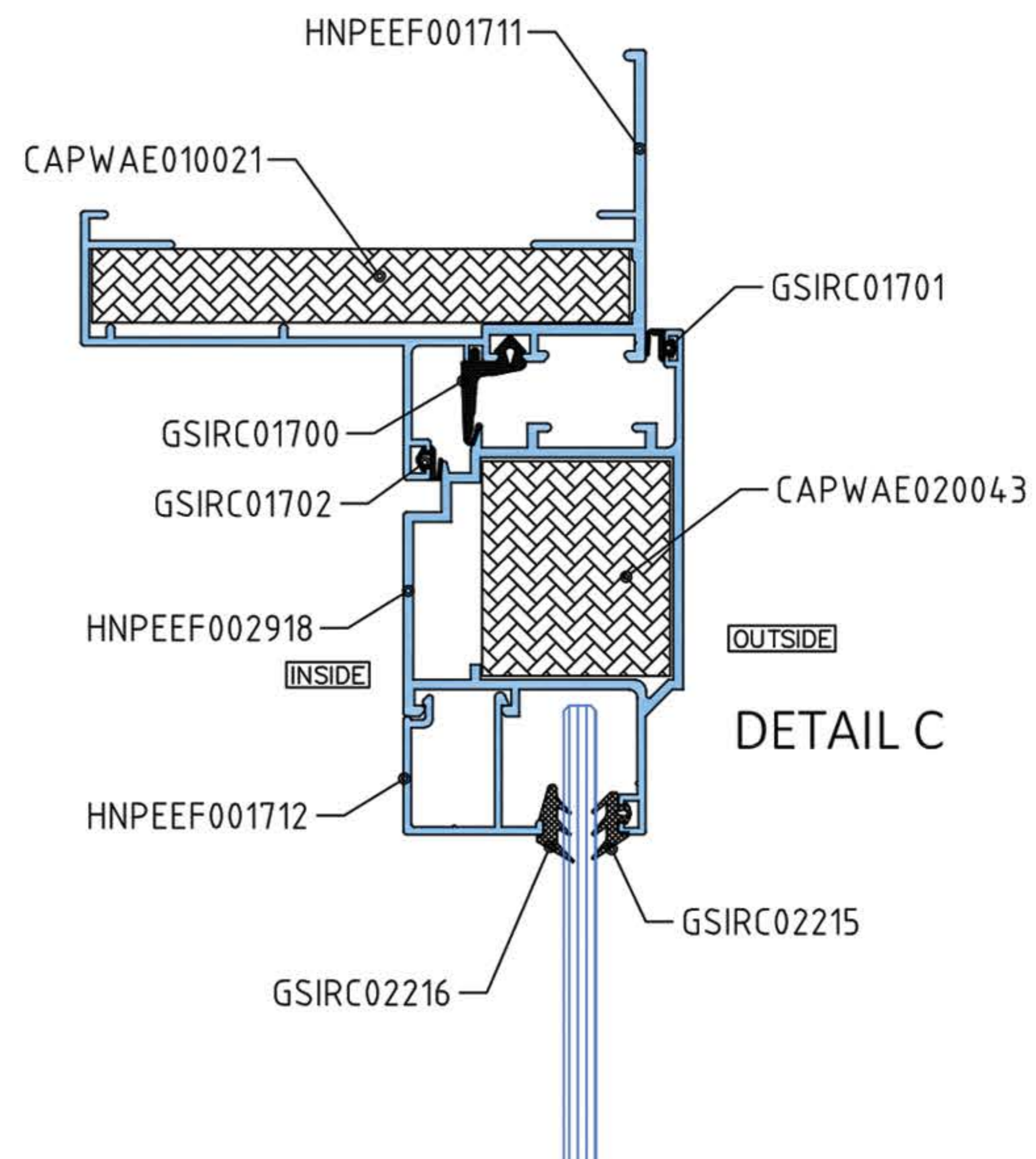
**DETAIL E**



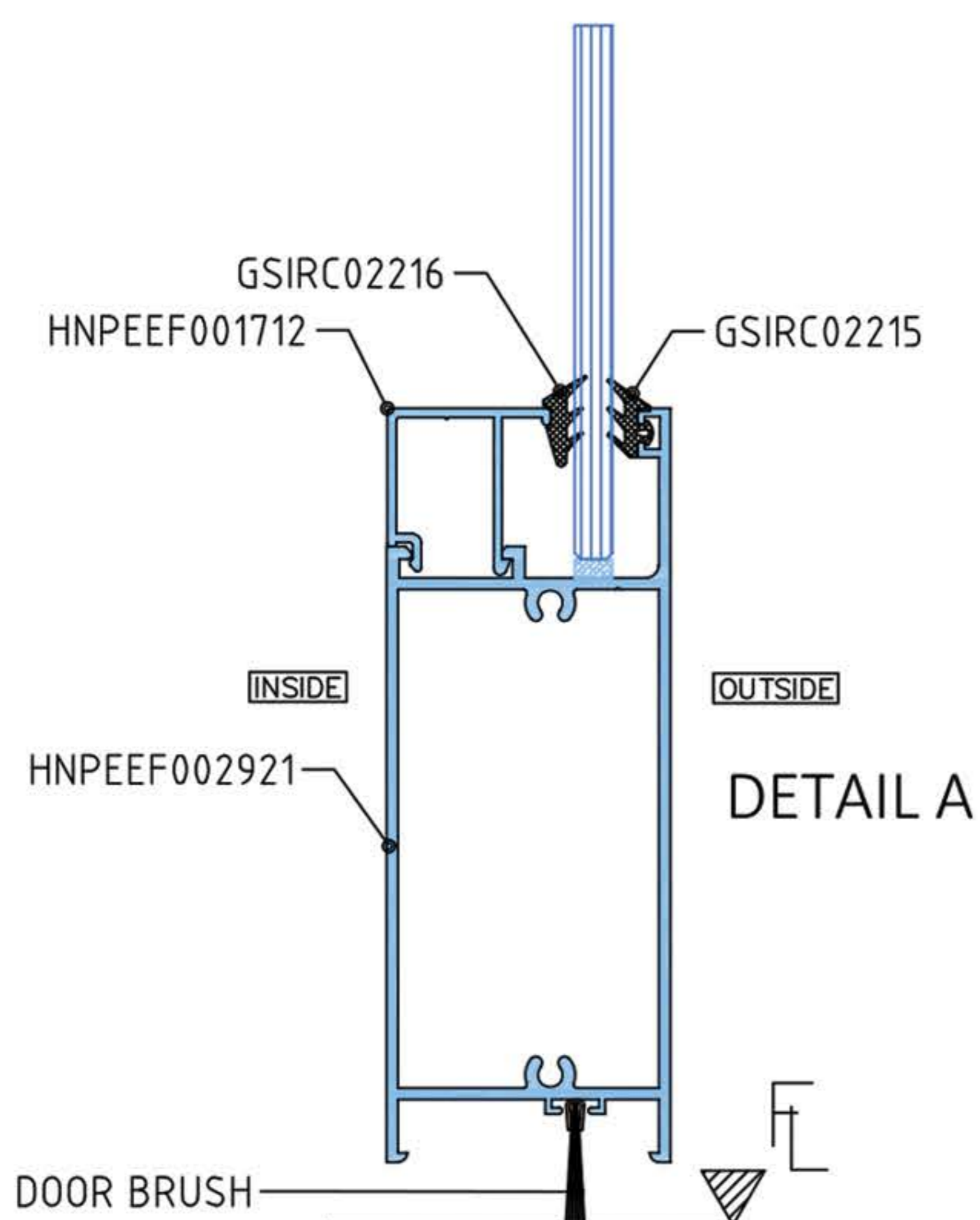
**DOUBLE LEAF  
OUTSIDE OPEN**



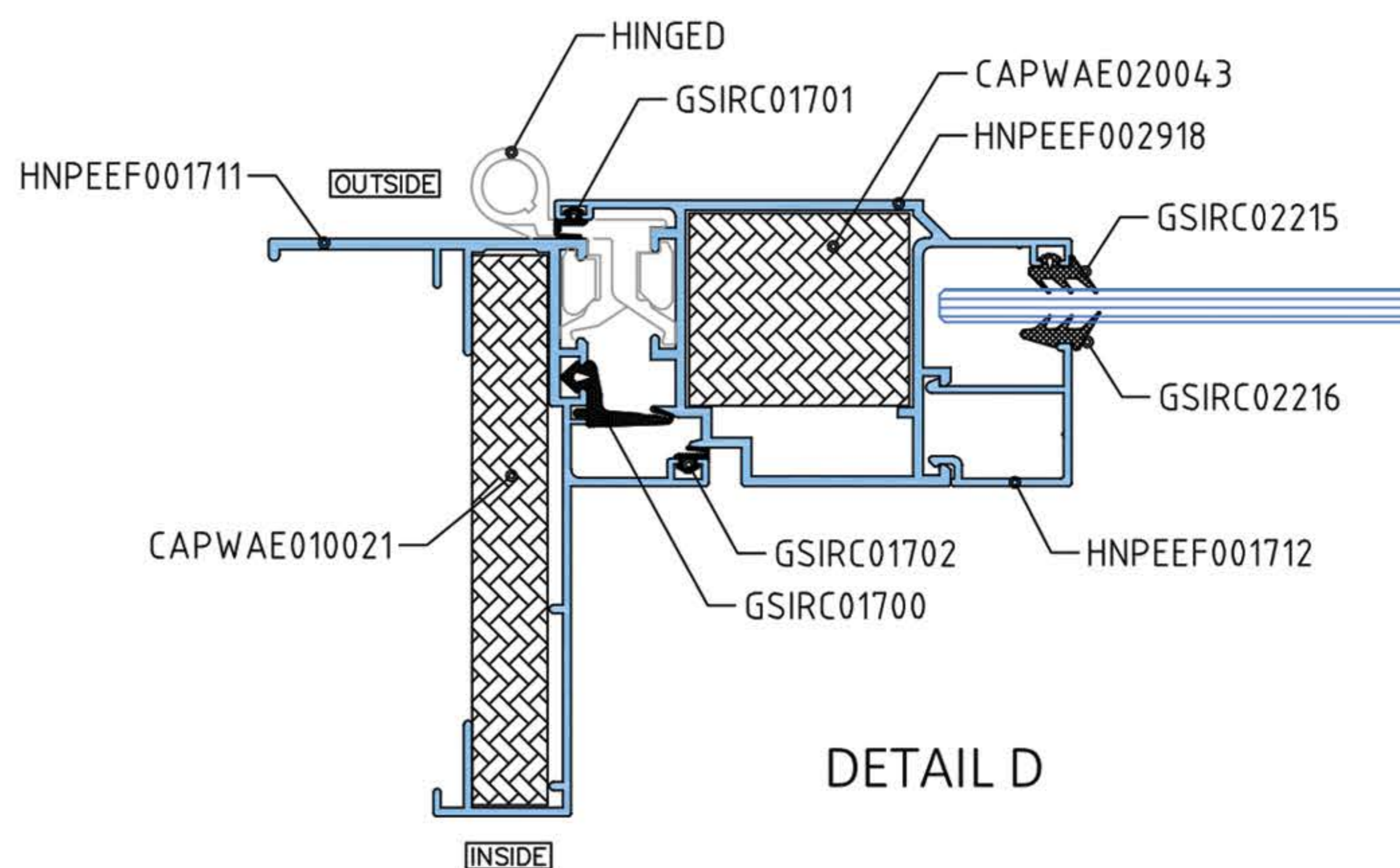
**DETAIL B**



**DETAIL C**

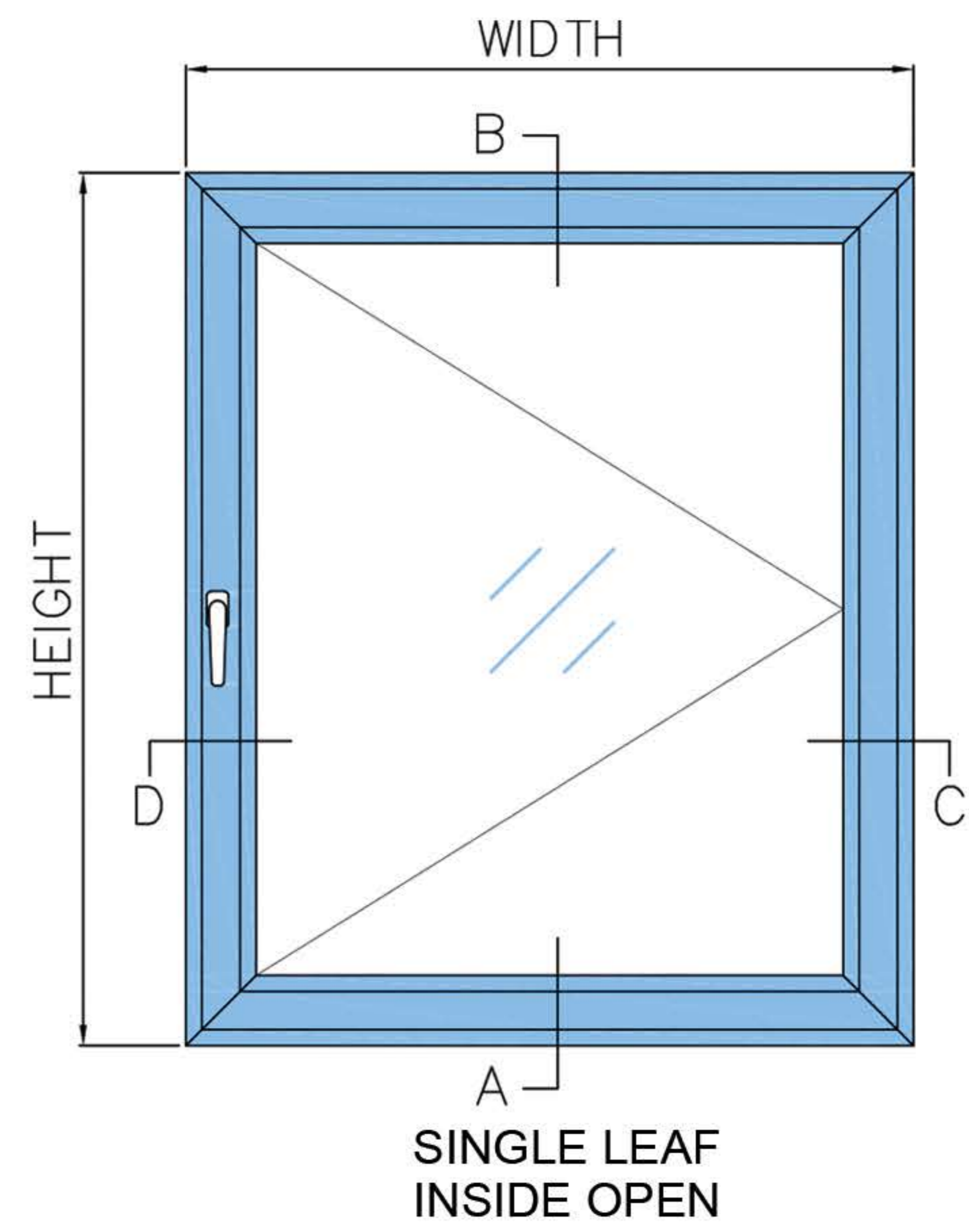


**DETAIL A**

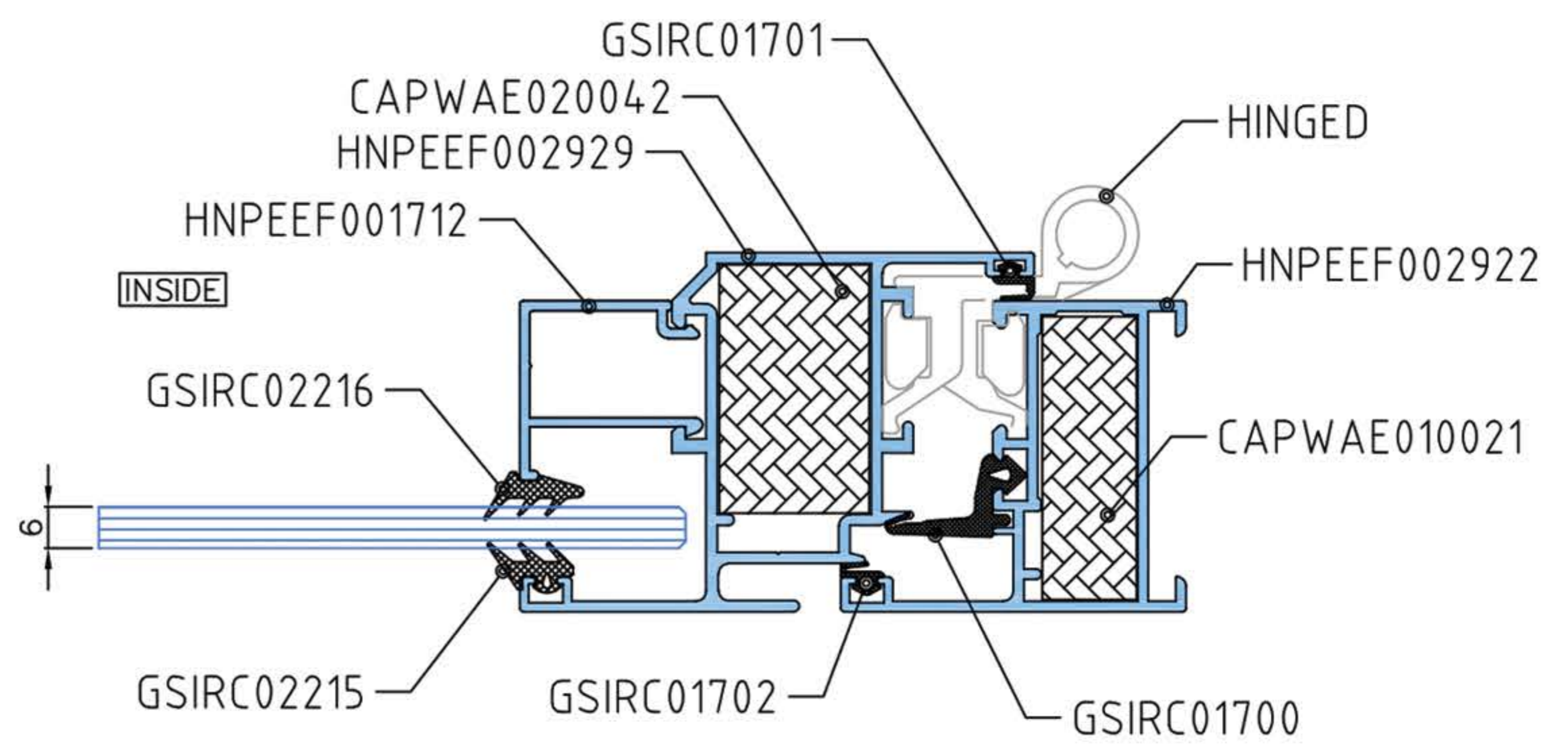
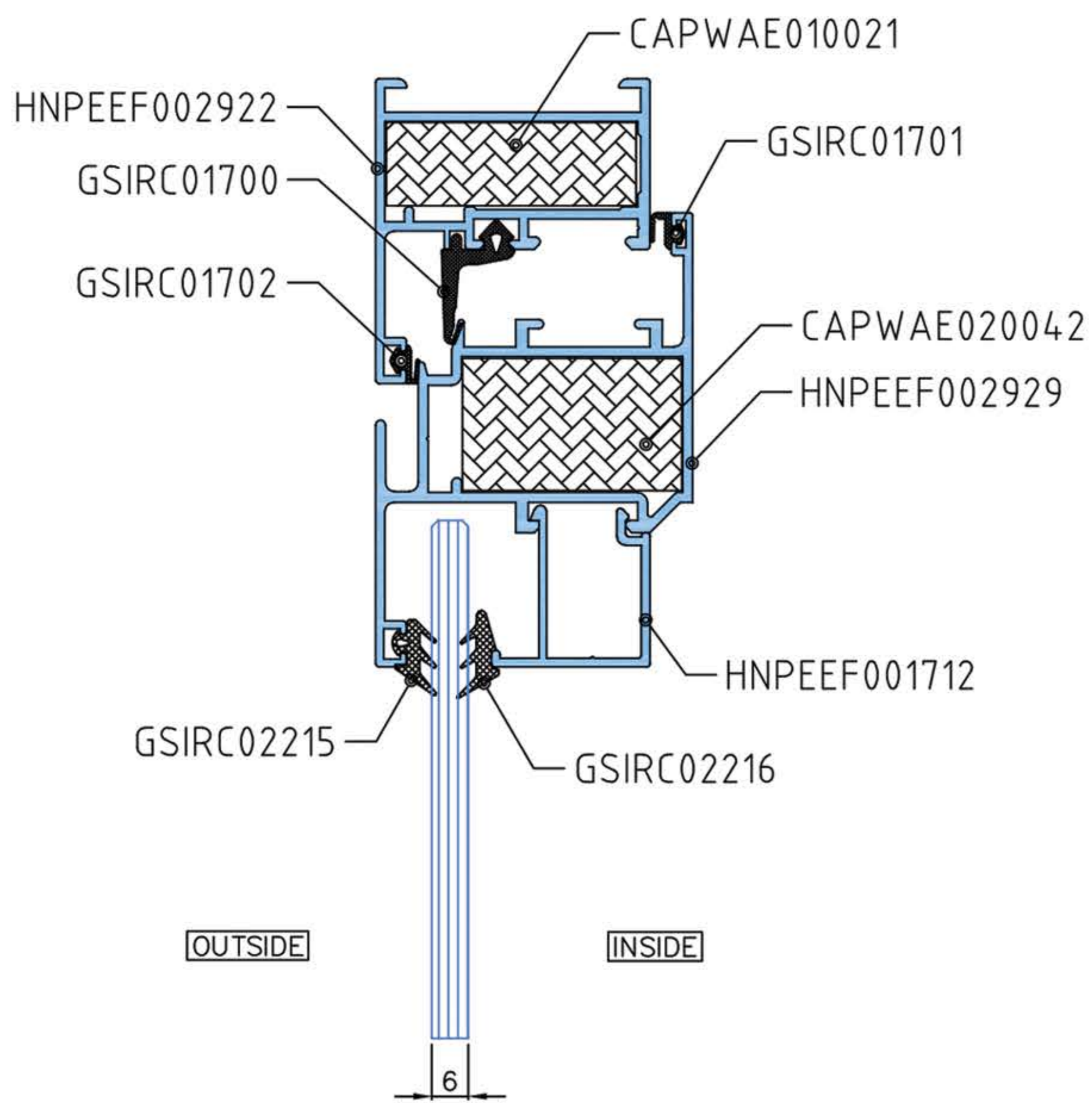


**DETAIL D**

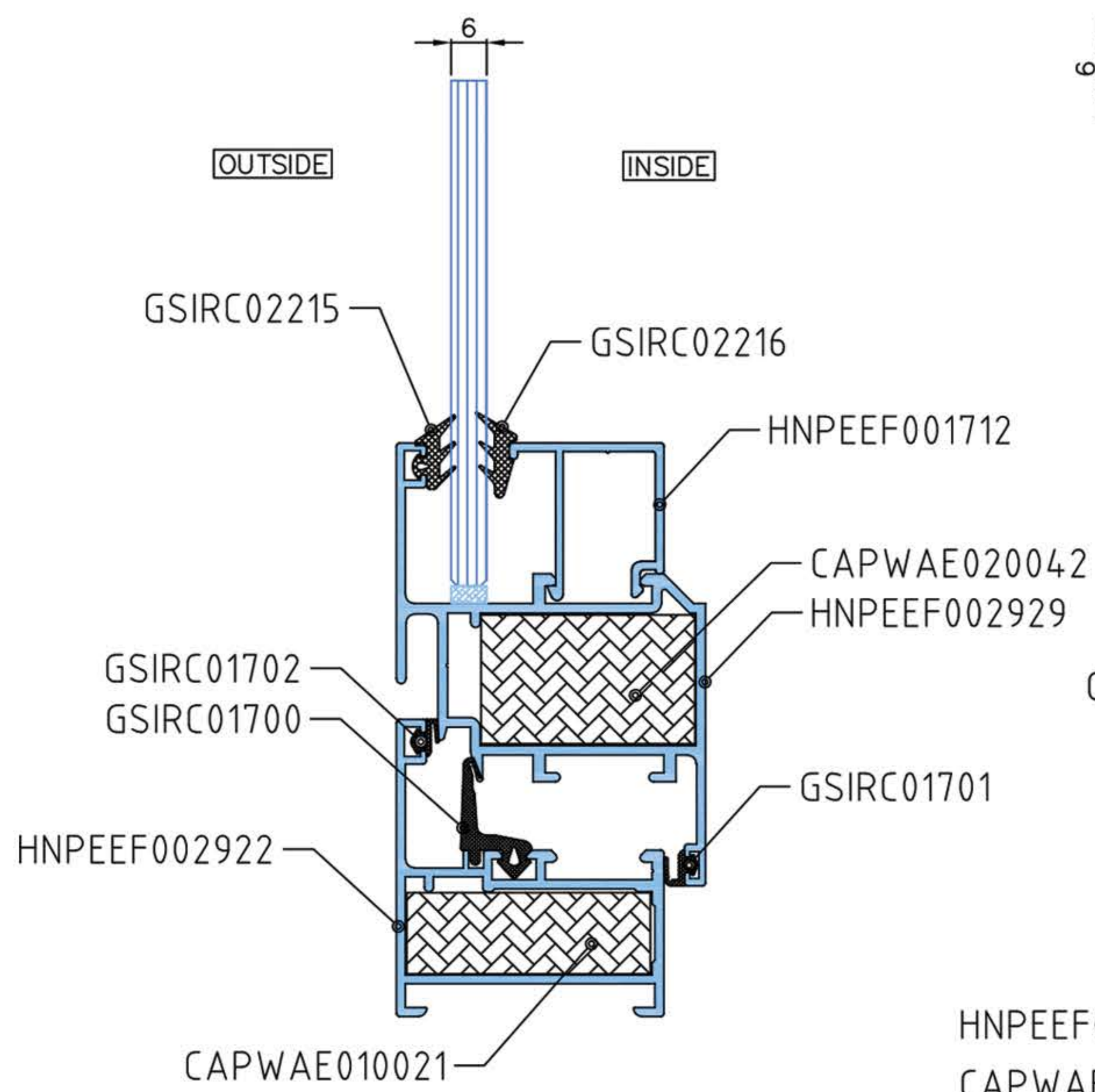
**HINGED WINDOW**



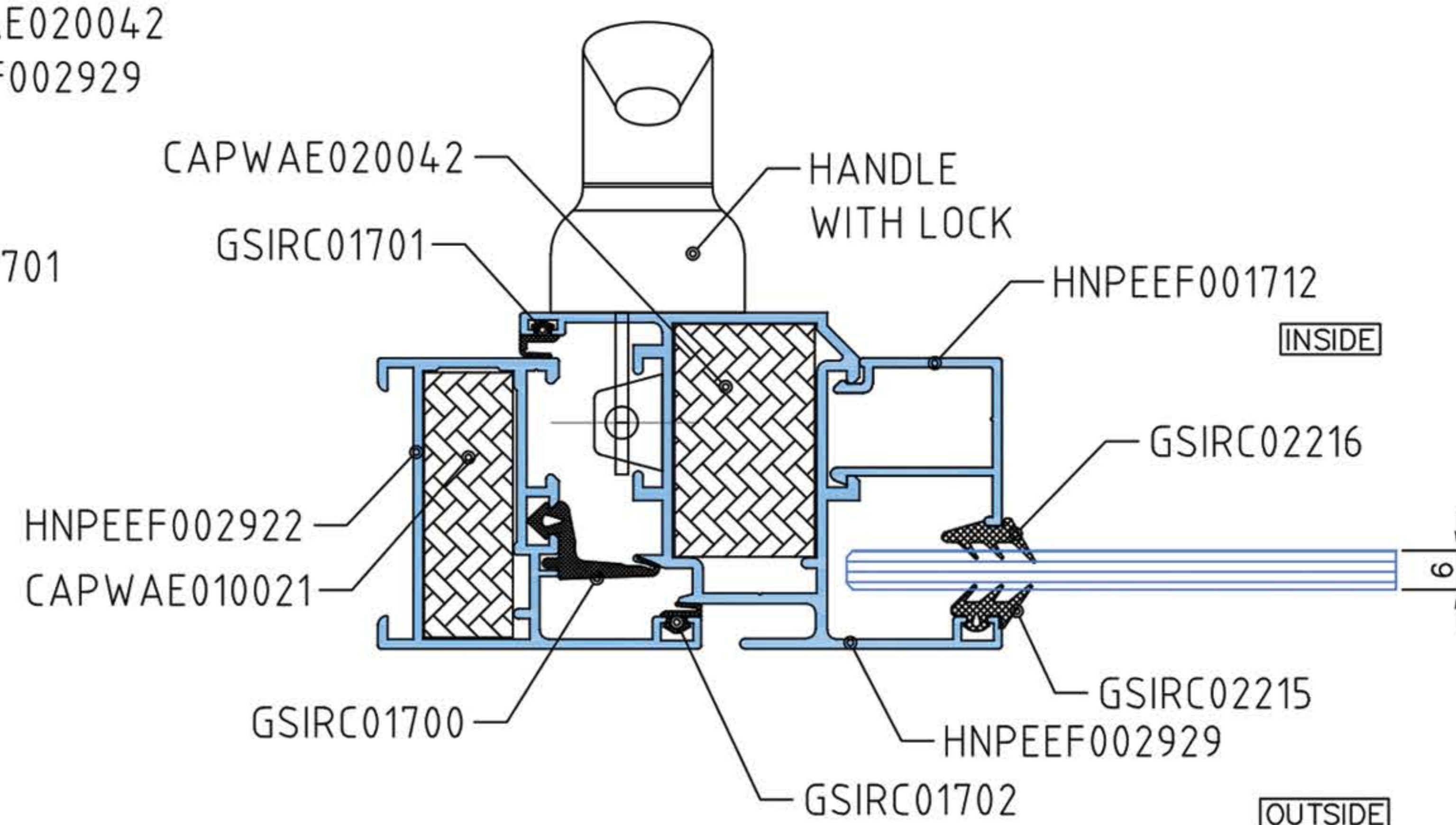
**DETAIL B**



**DETAIL C**

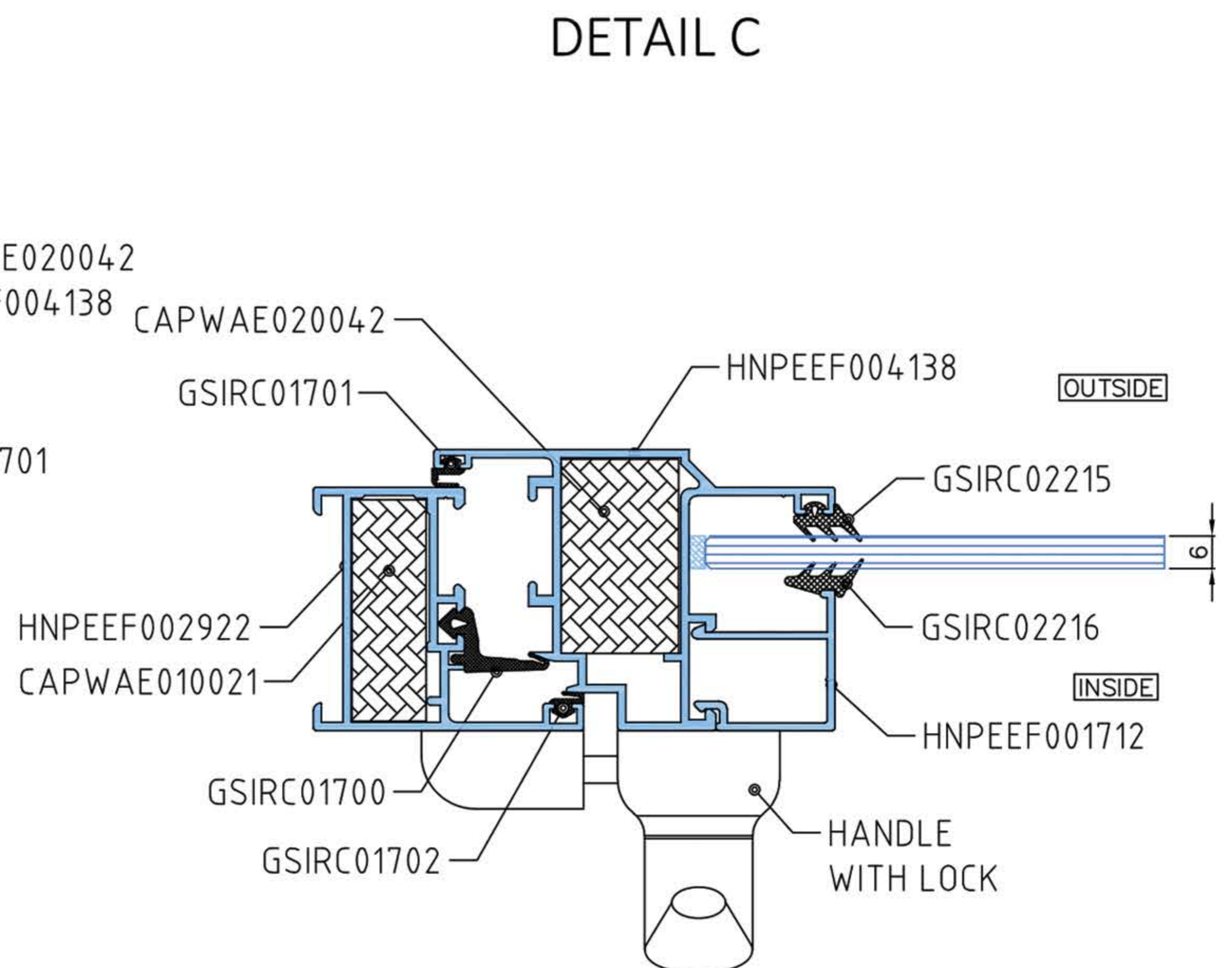
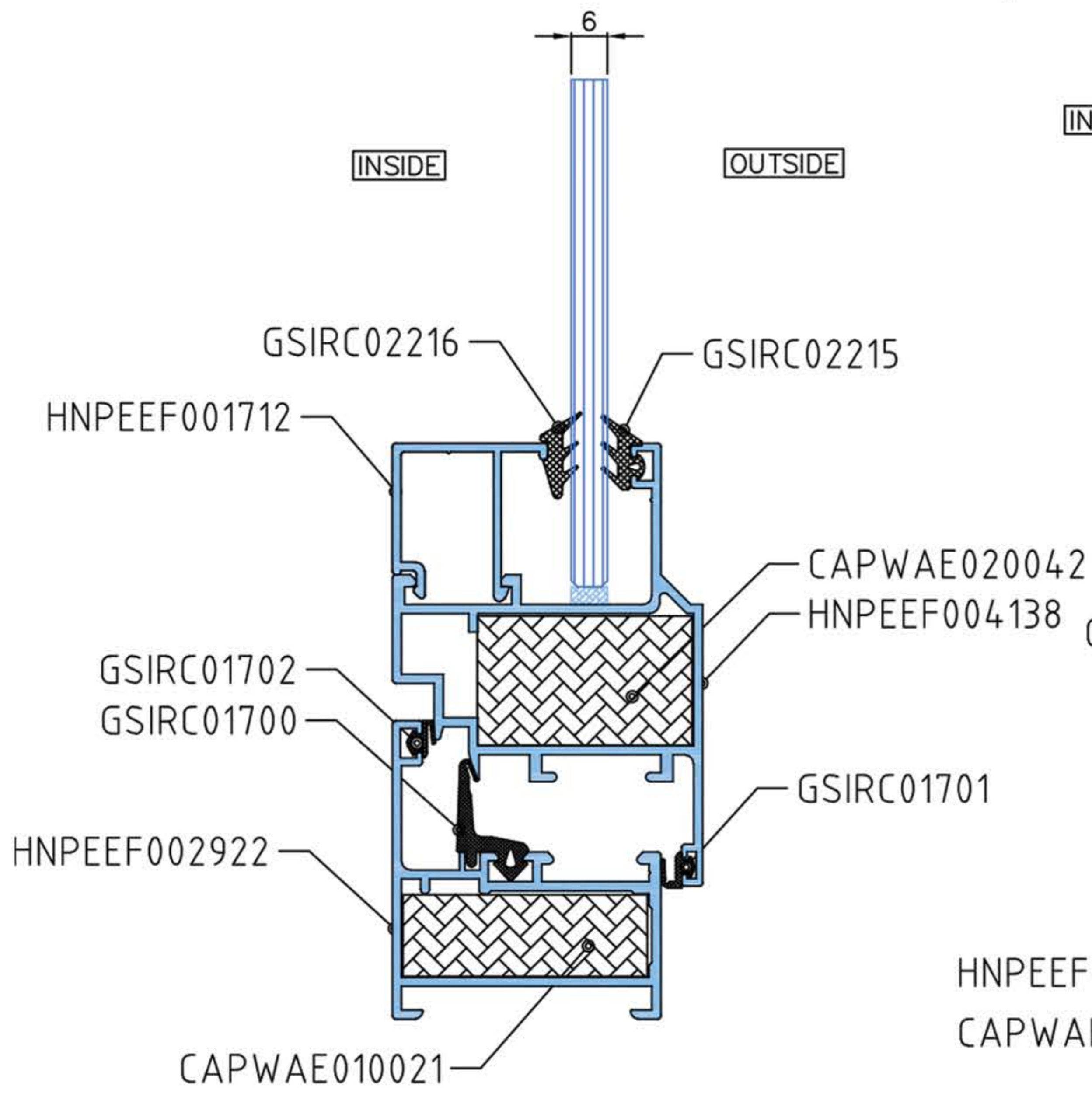
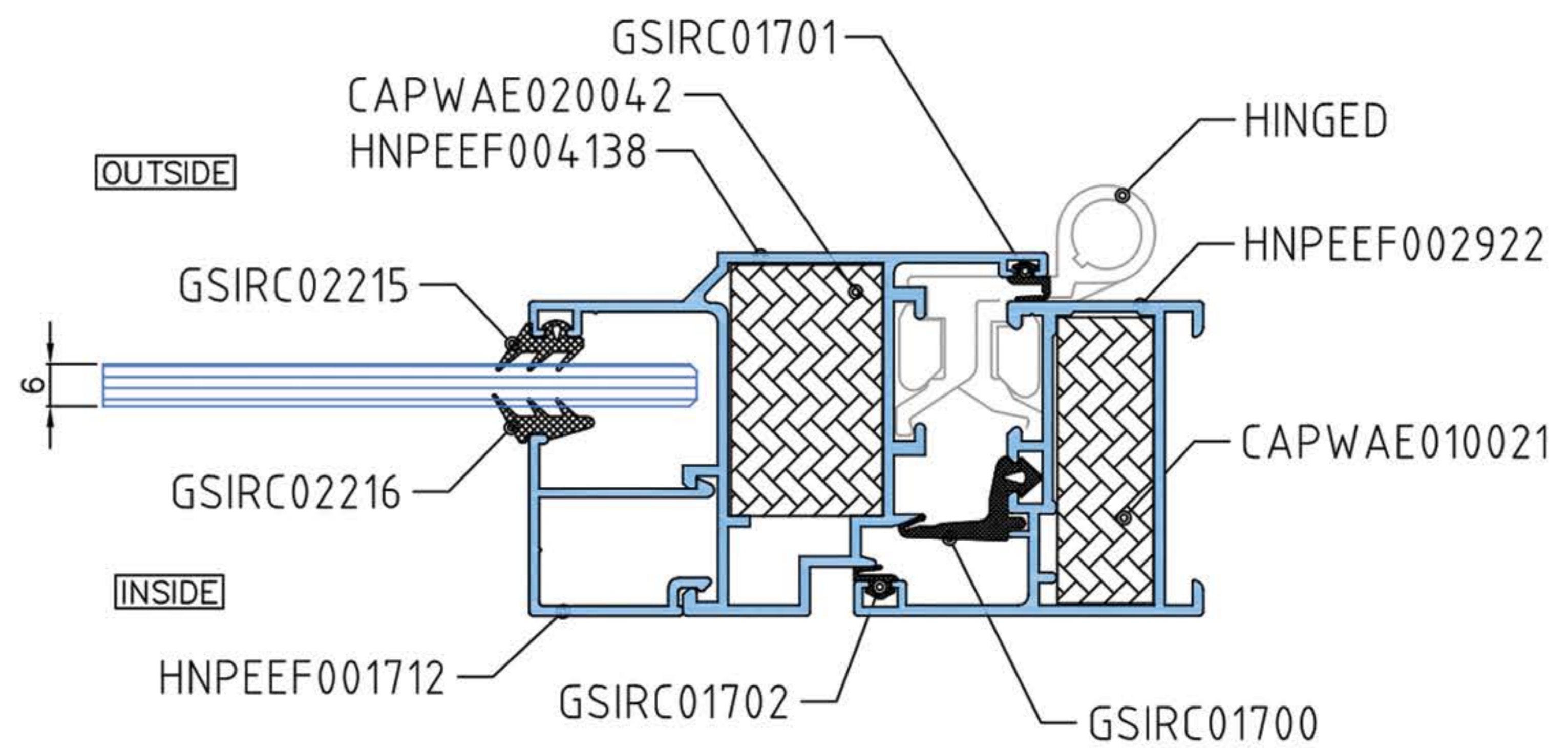
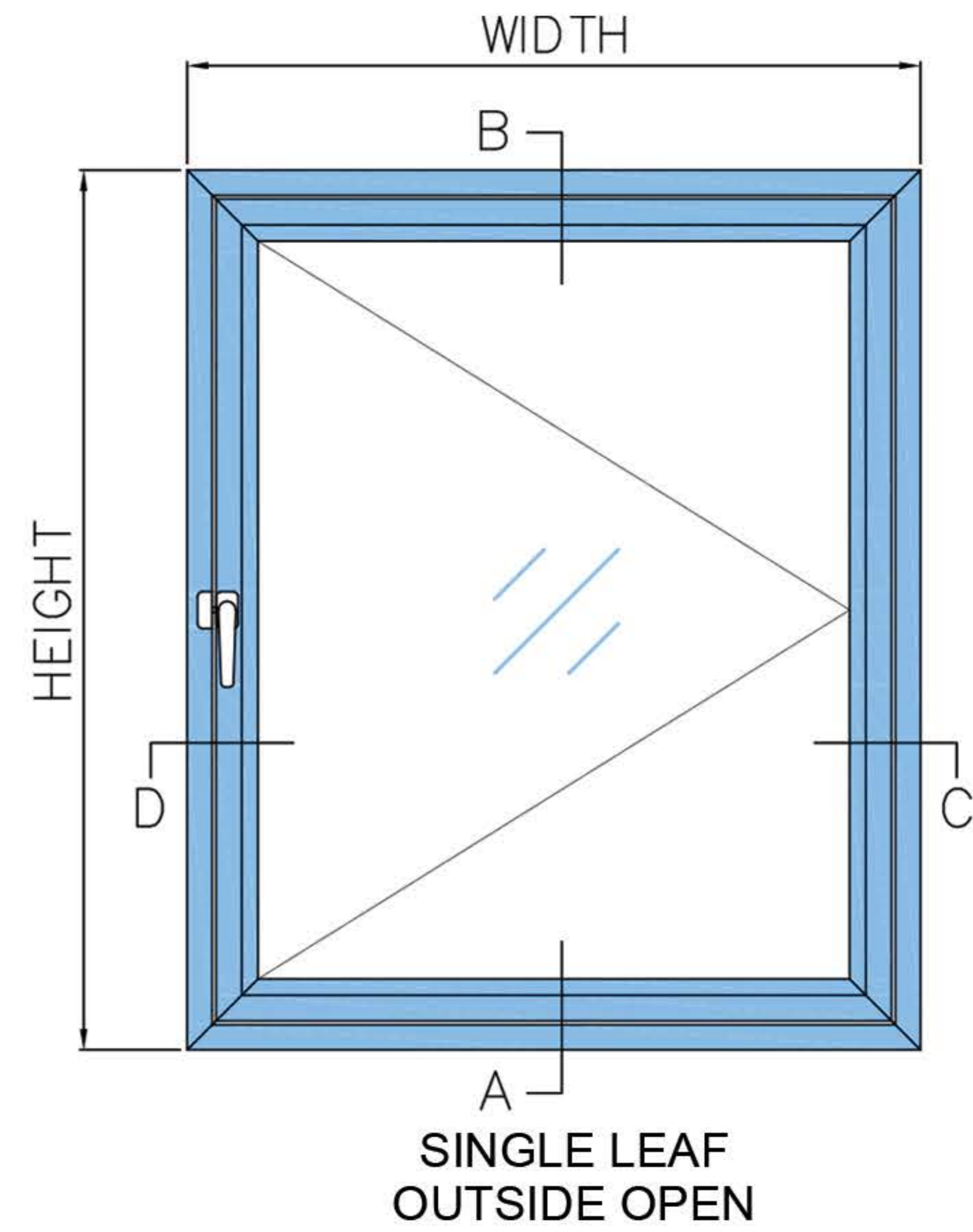
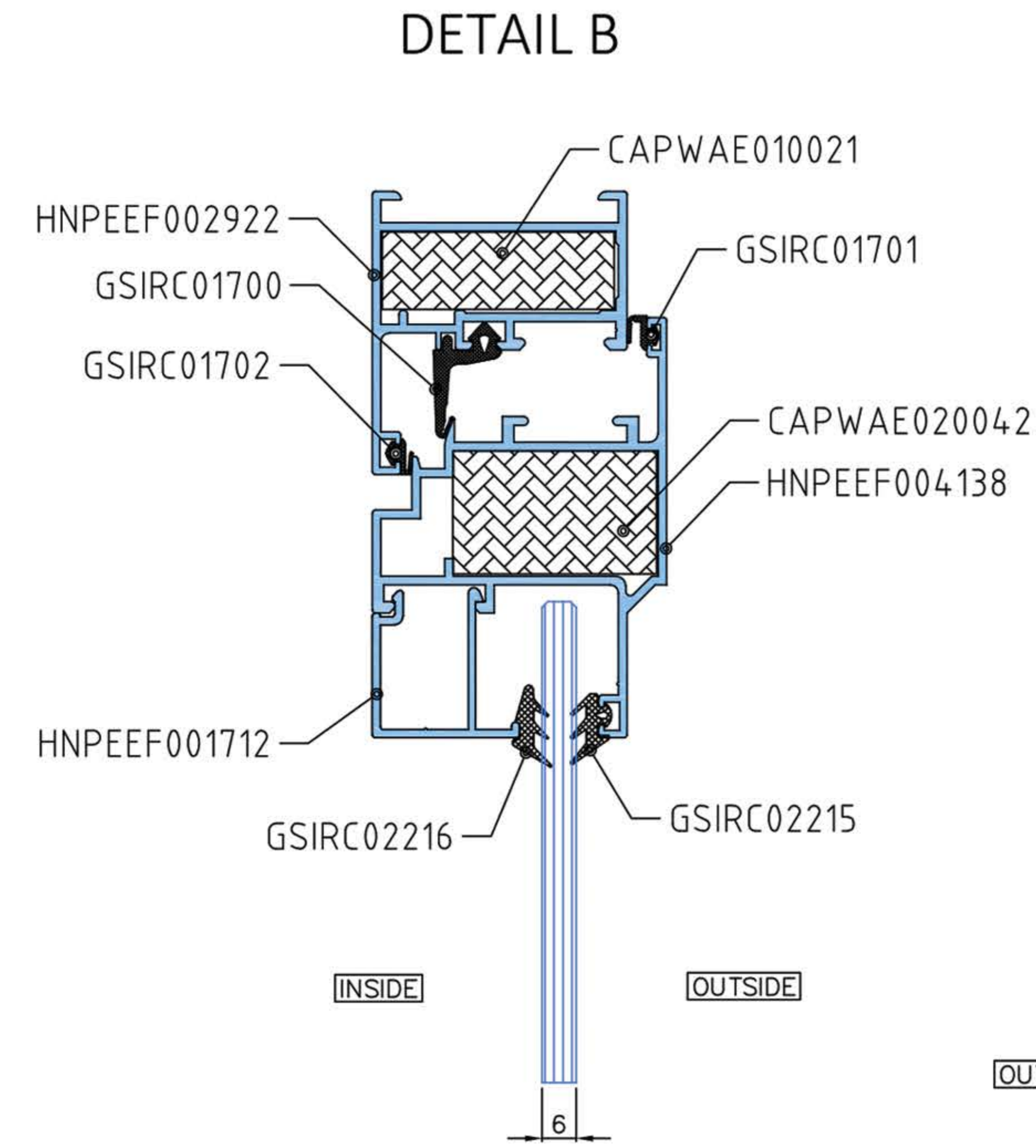


**DETAIL A**



**DETAIL D**

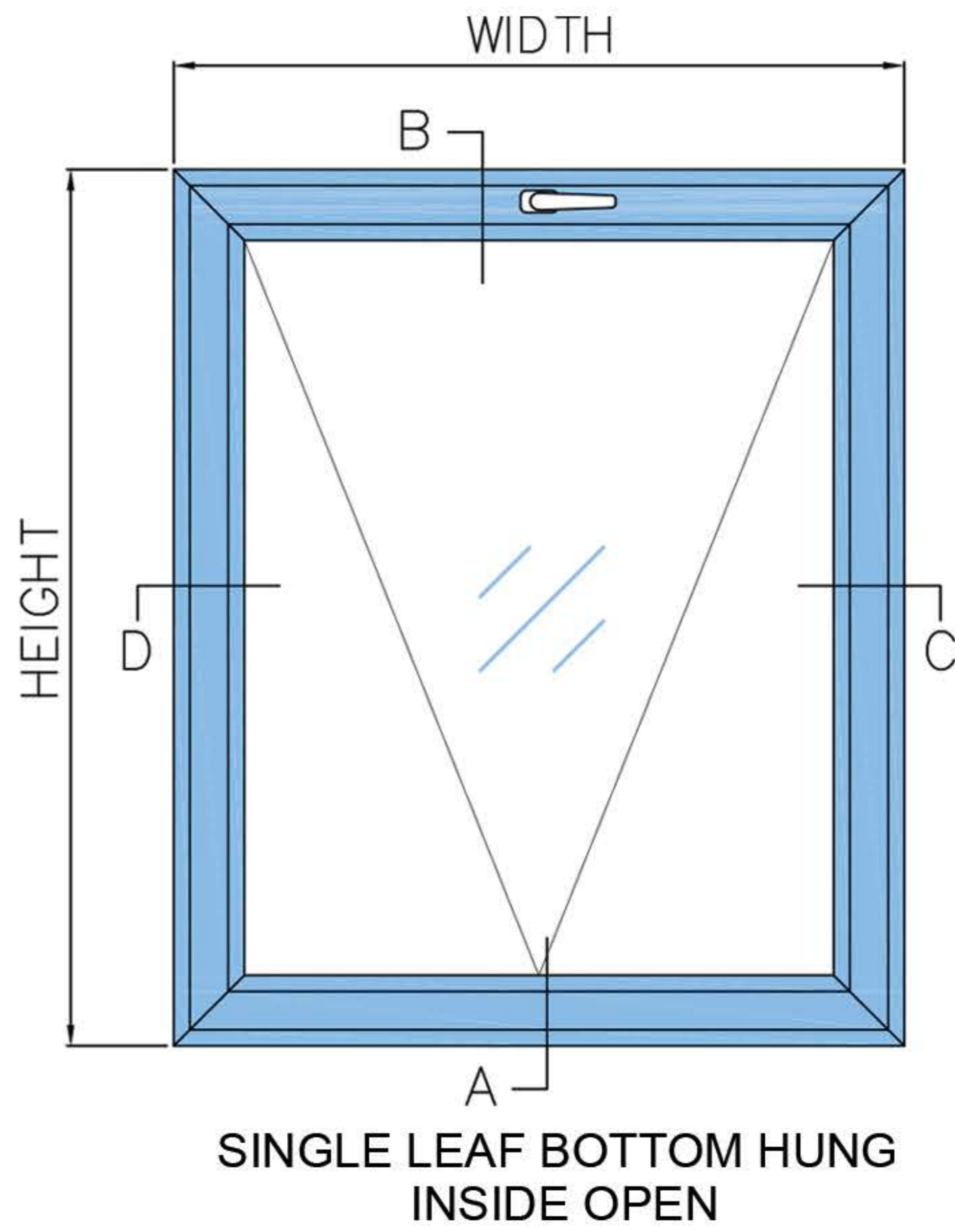
**HINGED WINDOW**



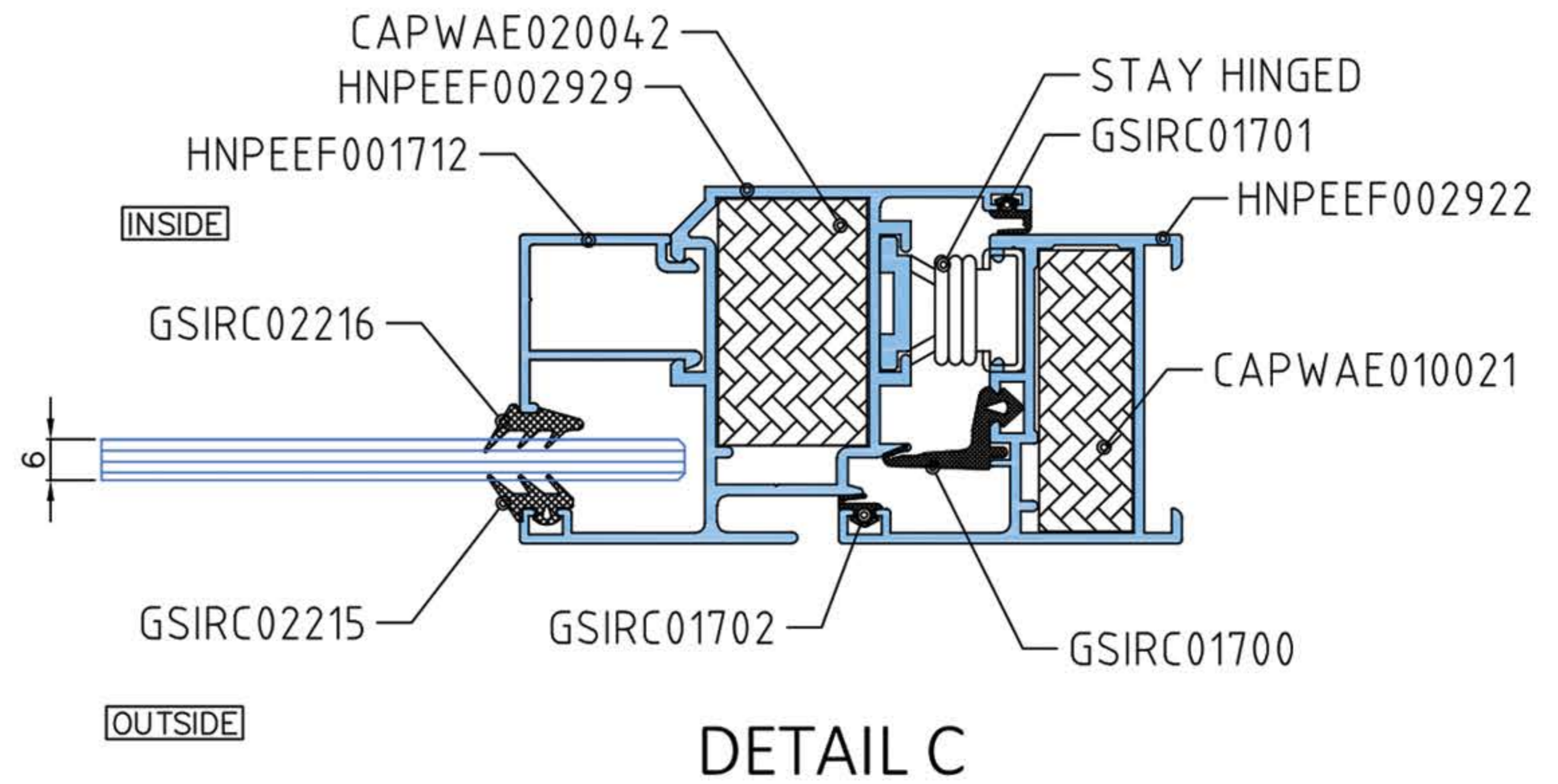
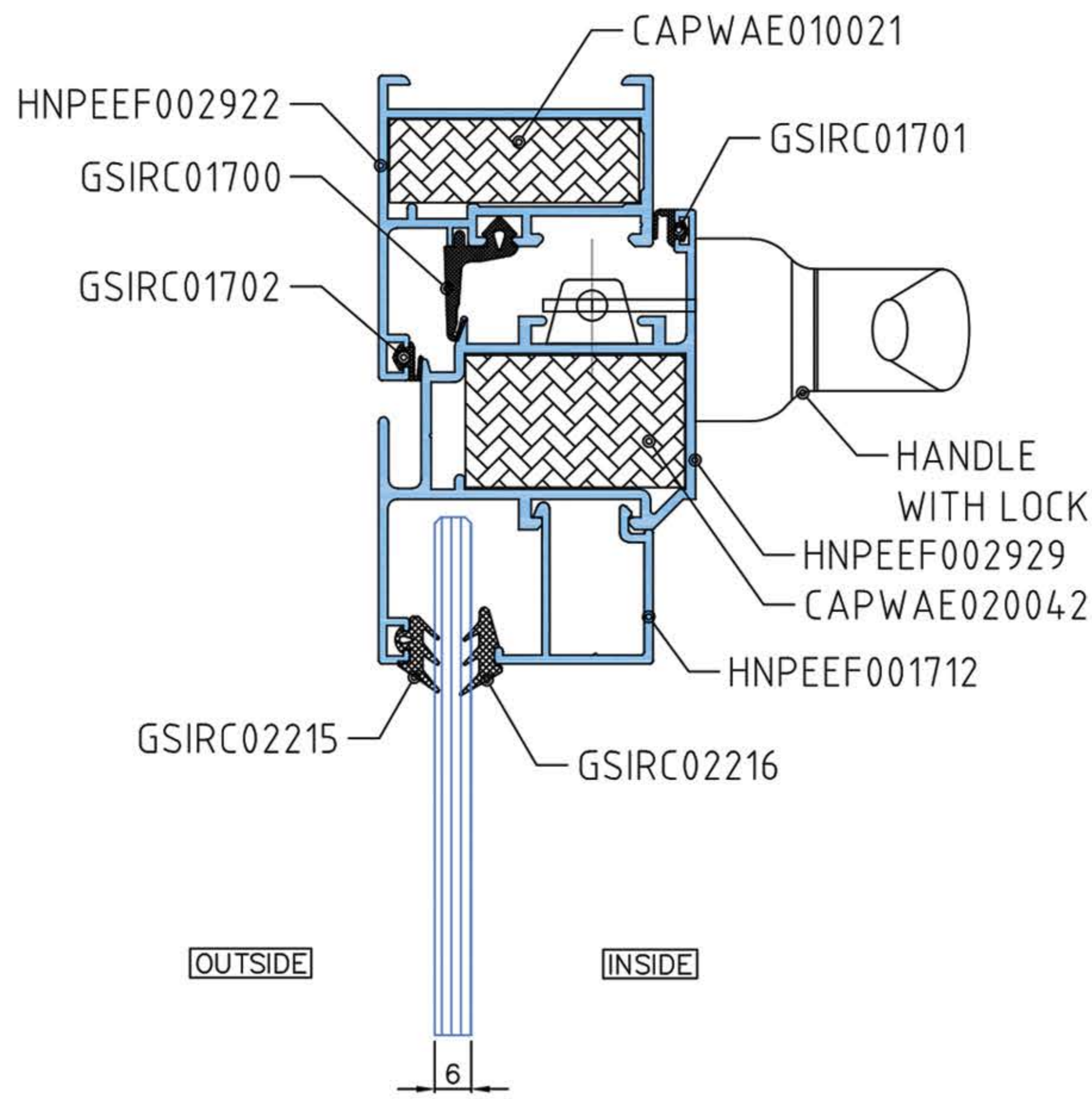
**DETAIL A**

**DETAIL D**

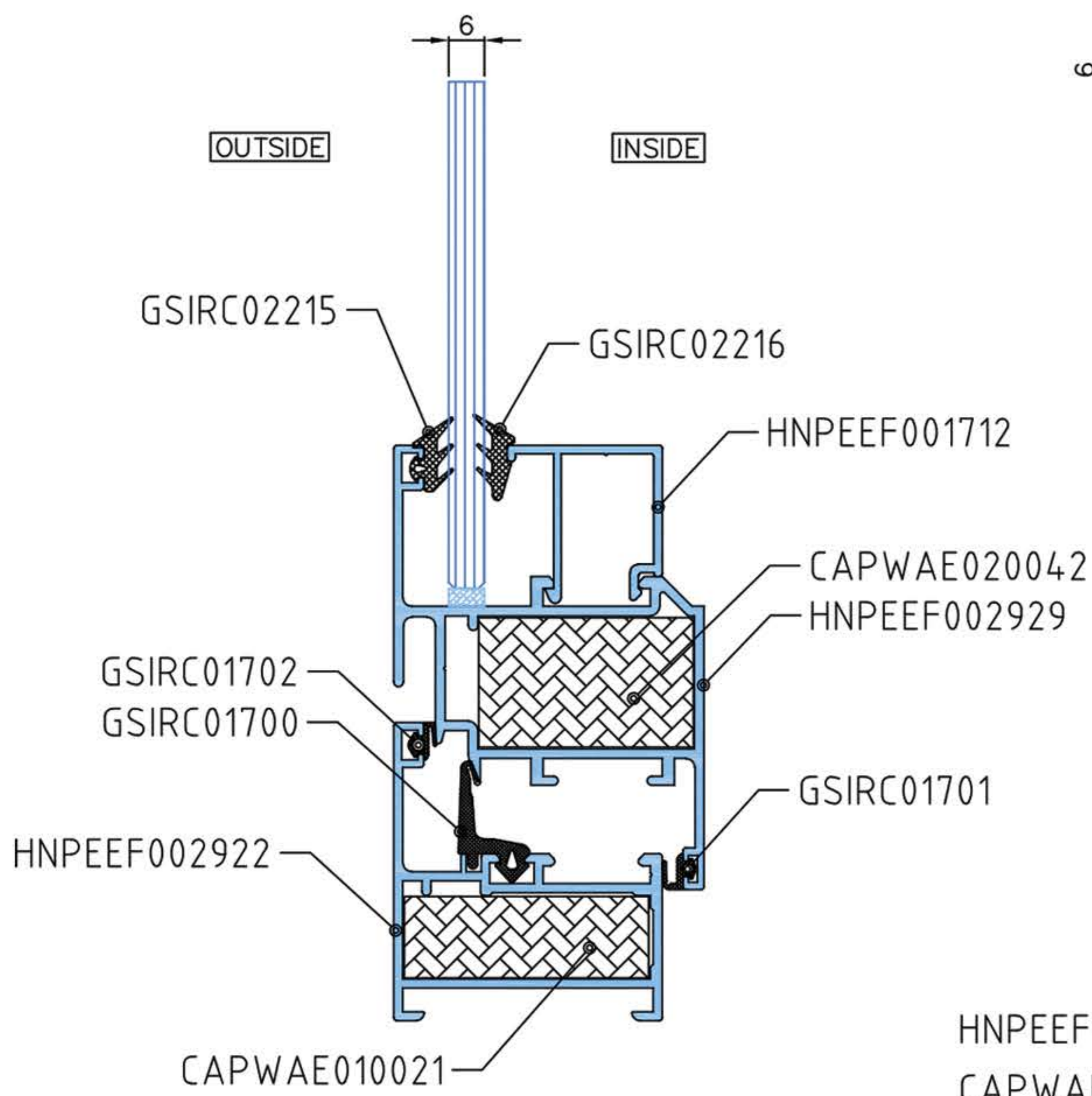
**HINGED WINDOW**



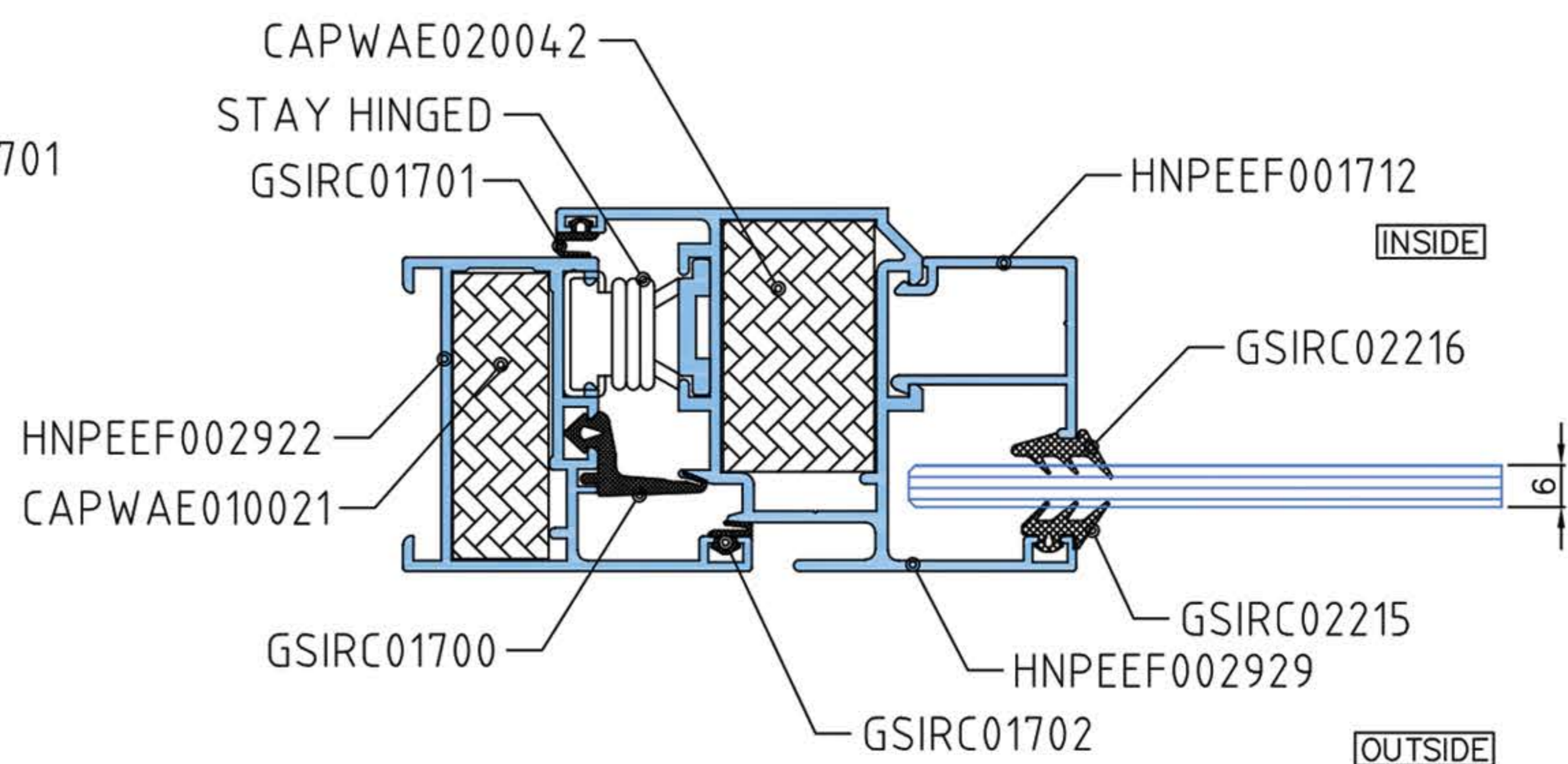
**DETAIL B**



**DETAIL C**

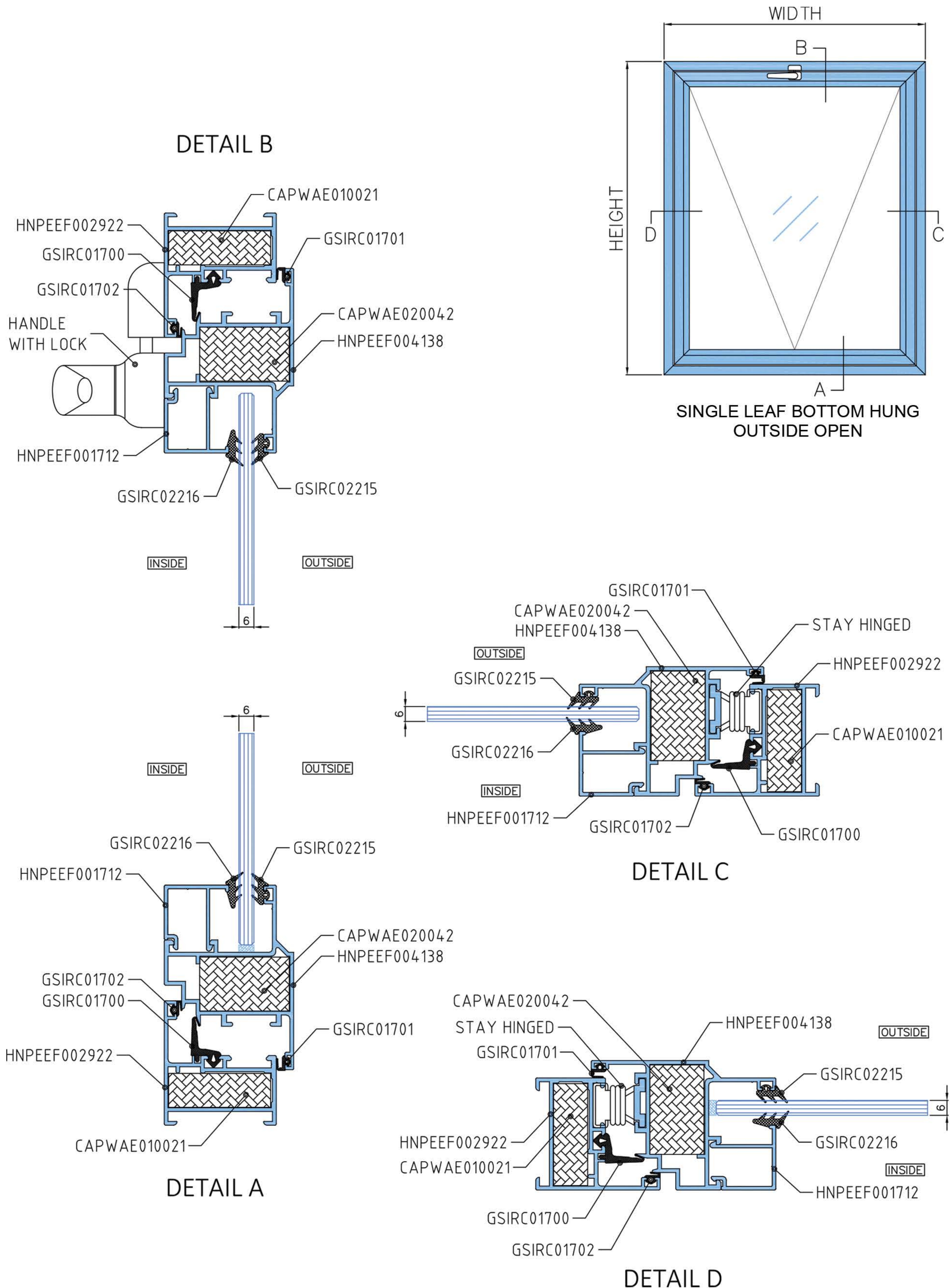


**DETAIL A**



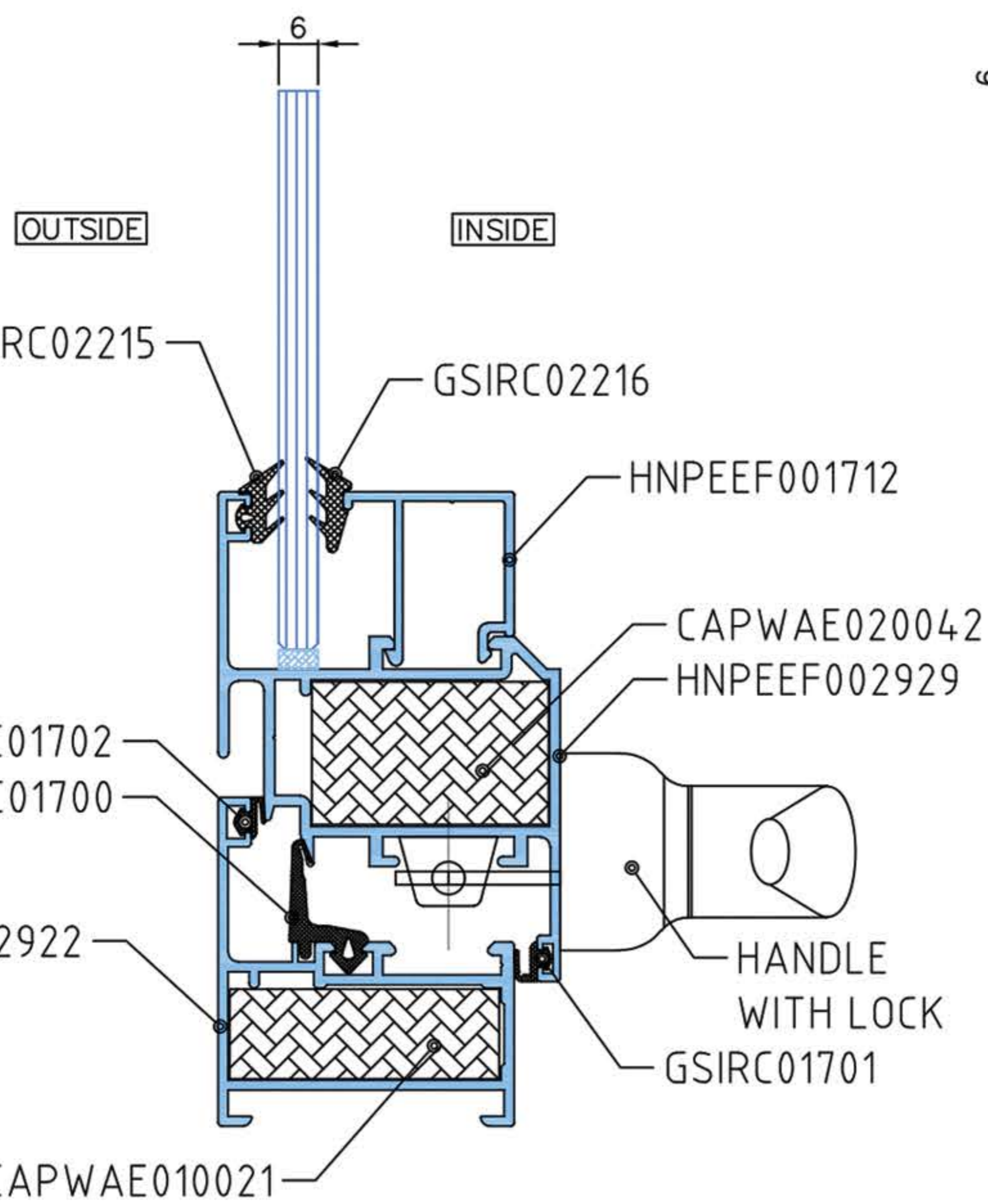
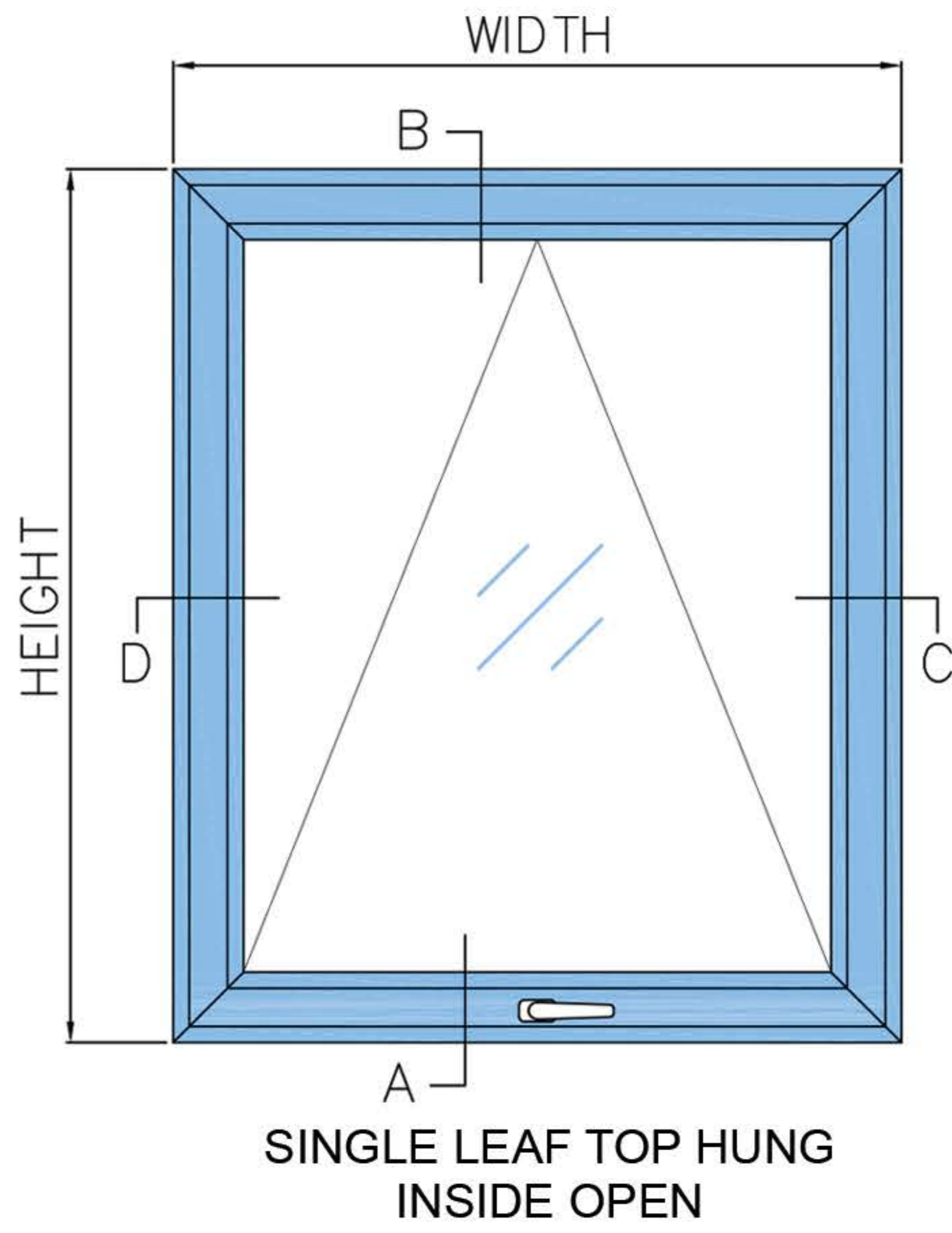
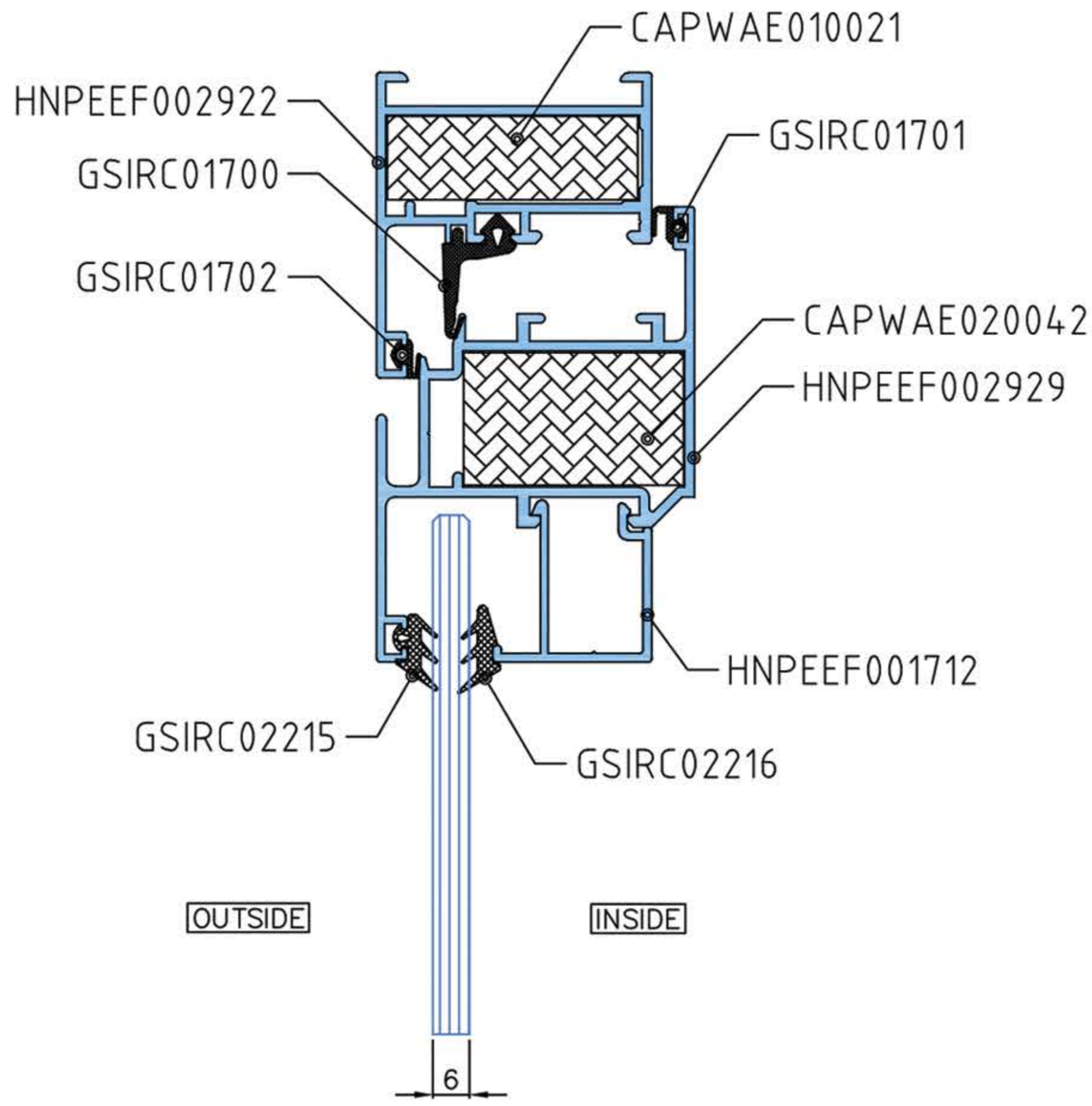
**DETAIL D**

**HINGED WINDOW**

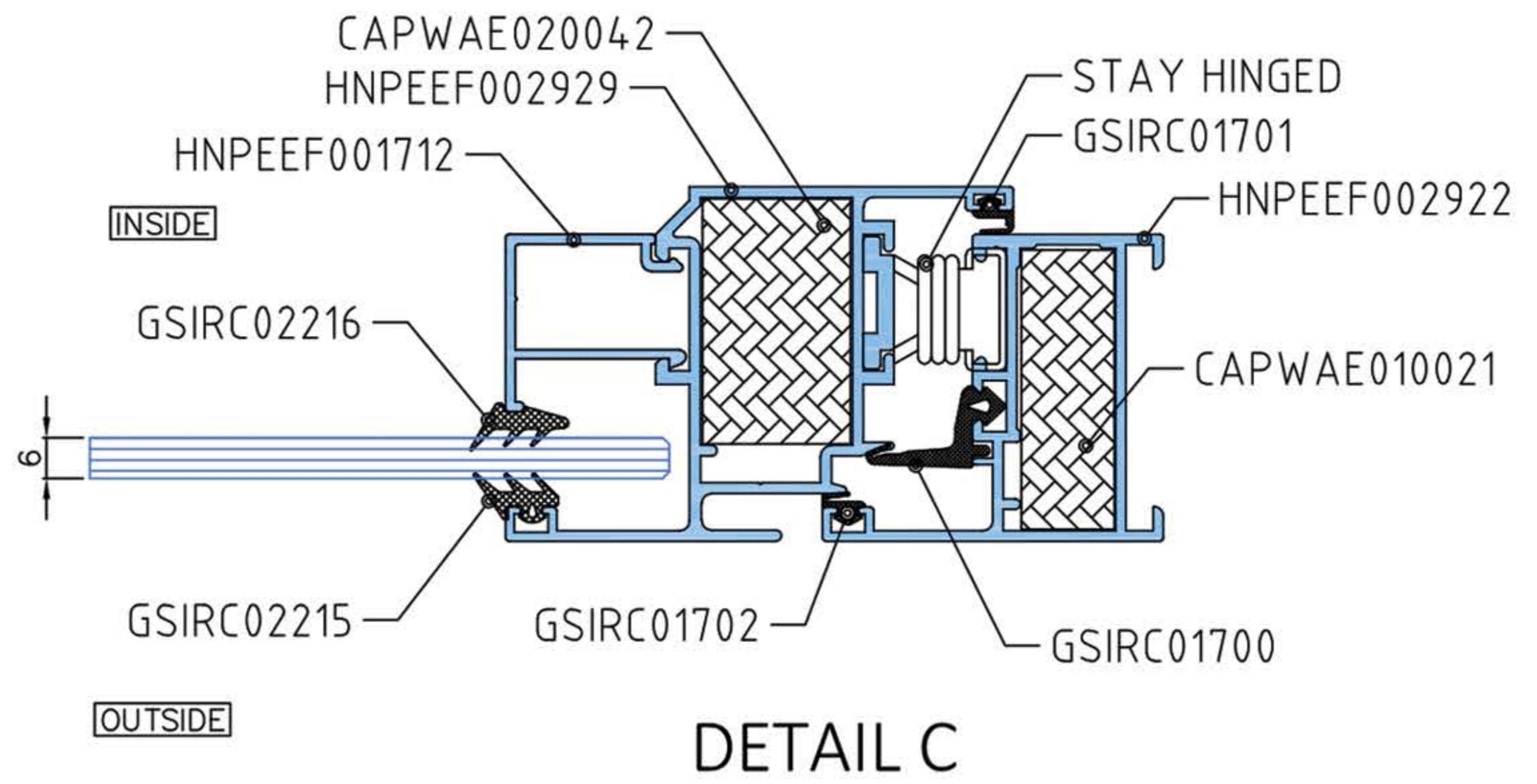


**HINGED WINDOW**

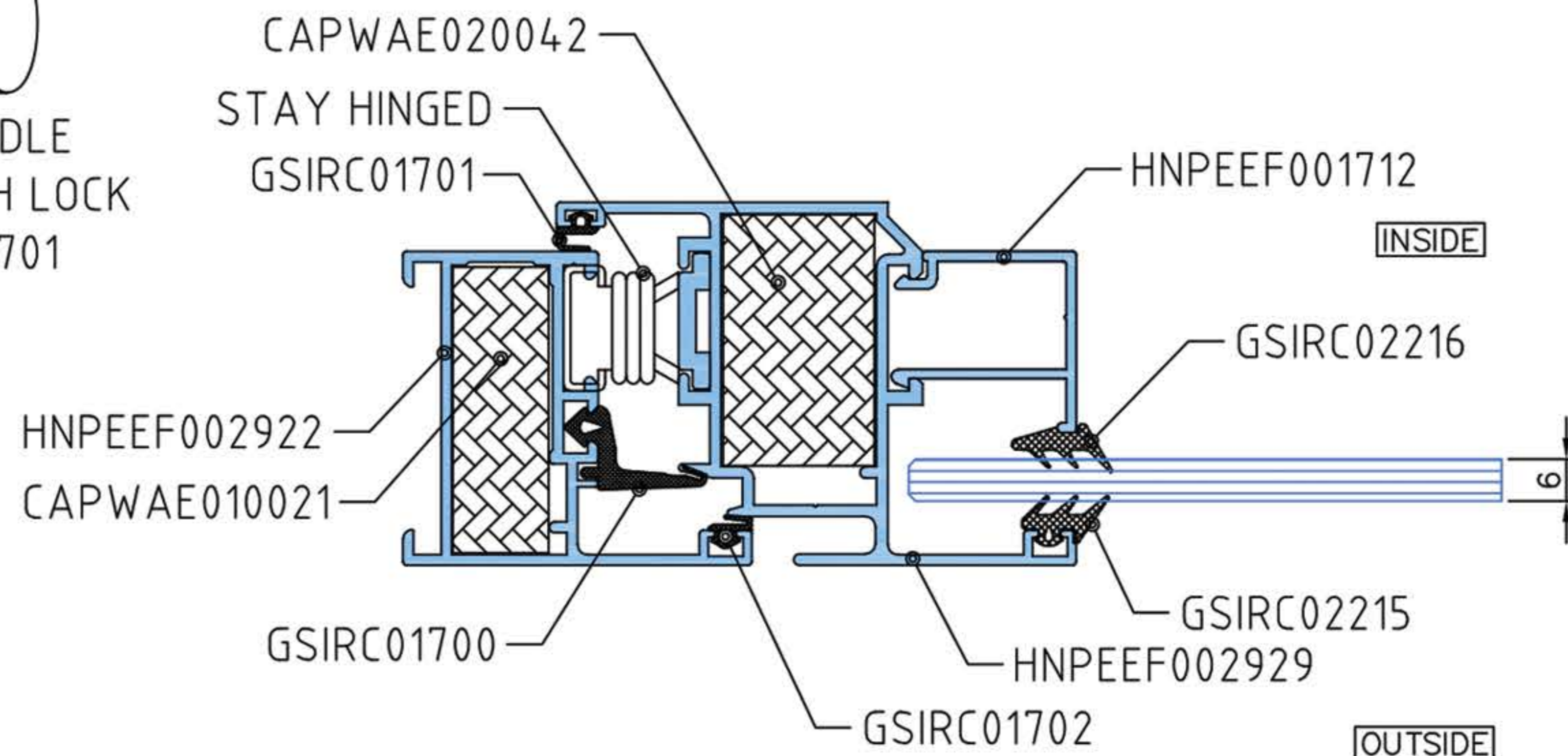
**DETAIL B**



**DETAIL A**

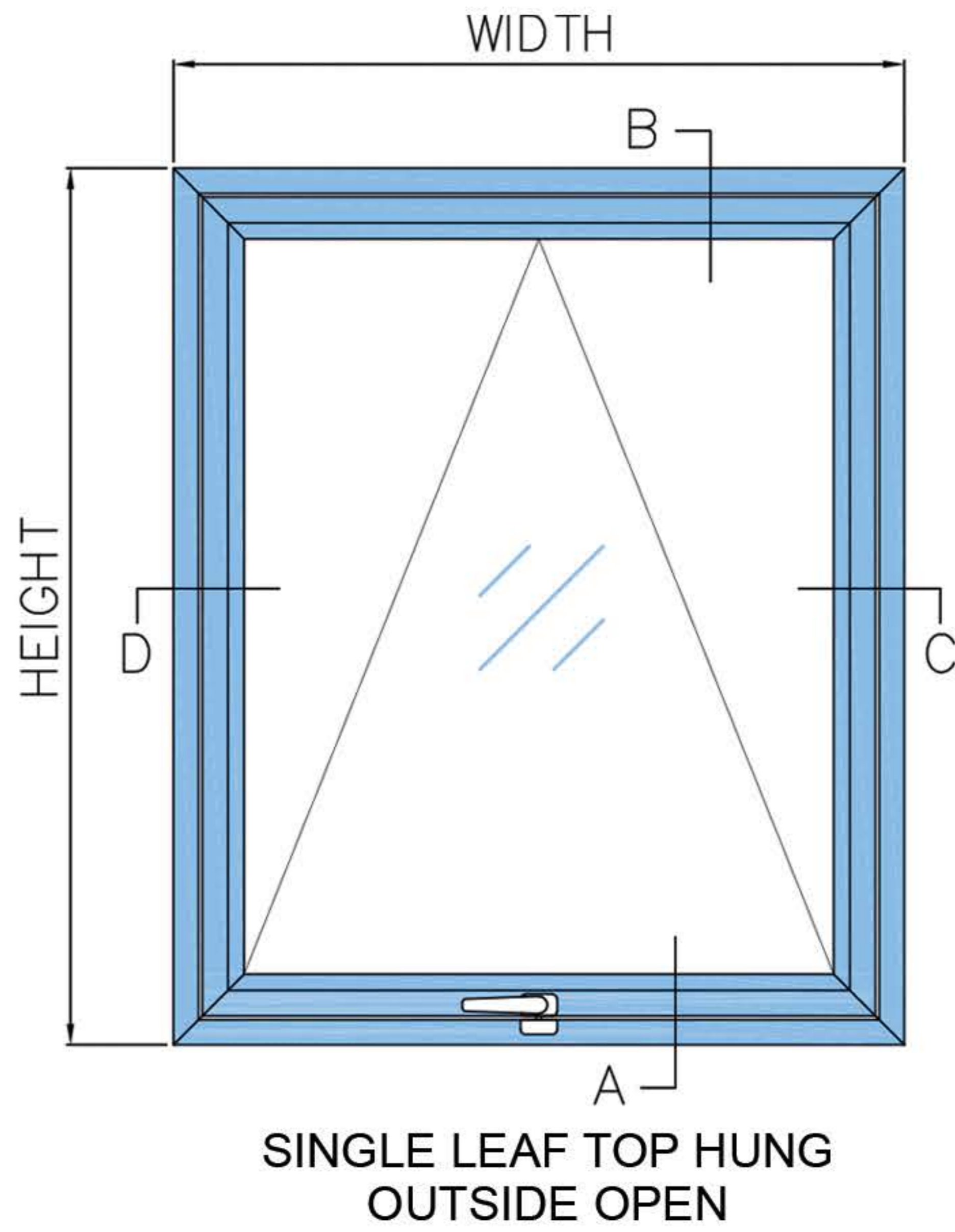


**DETAIL C**

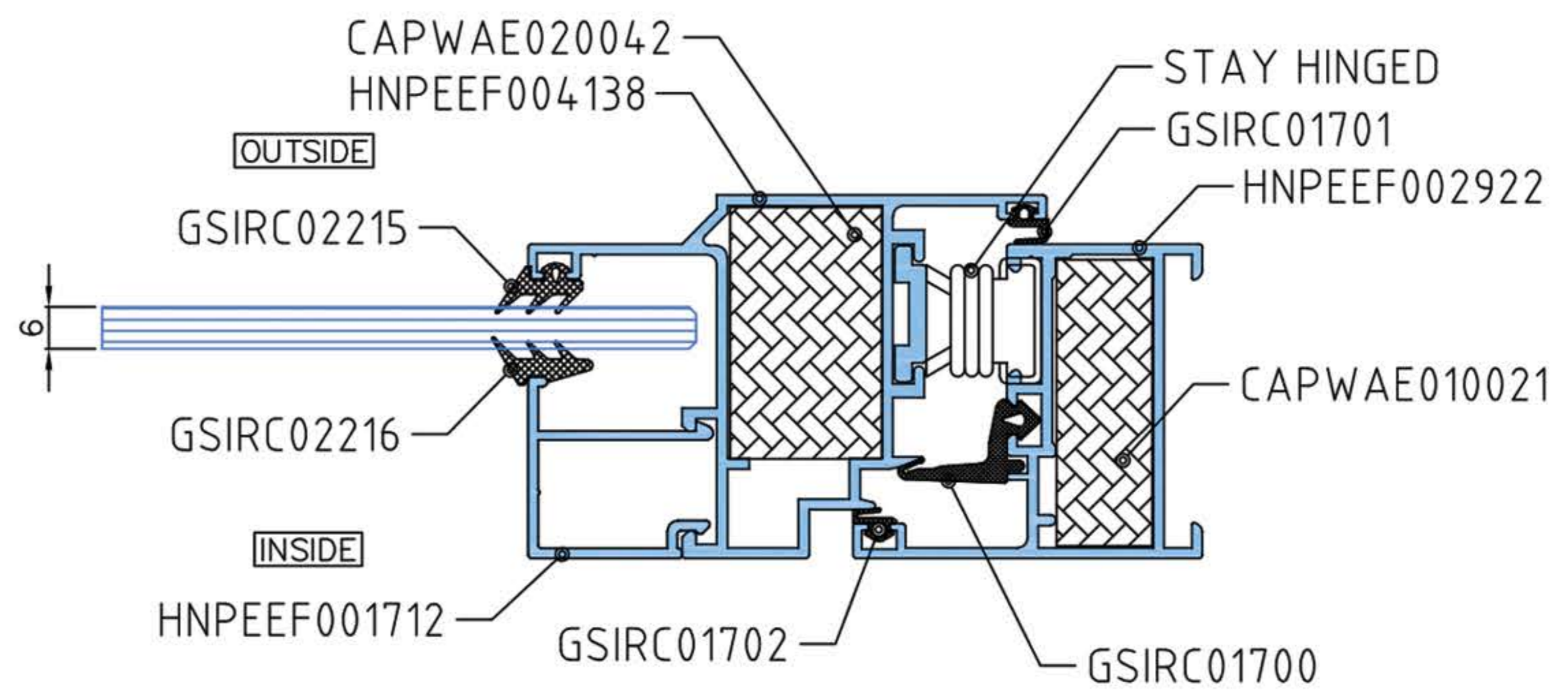
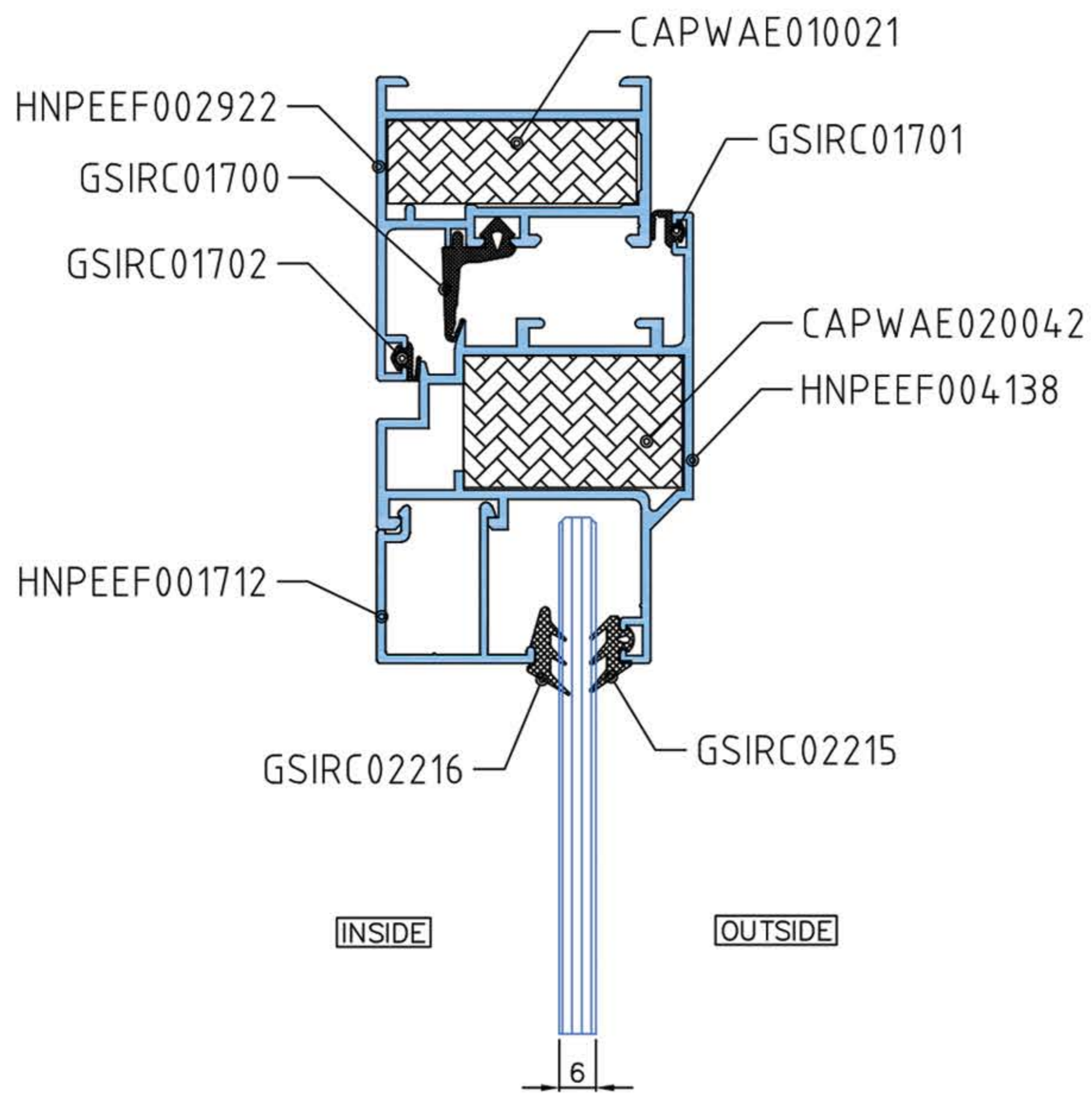


**DETAIL D**

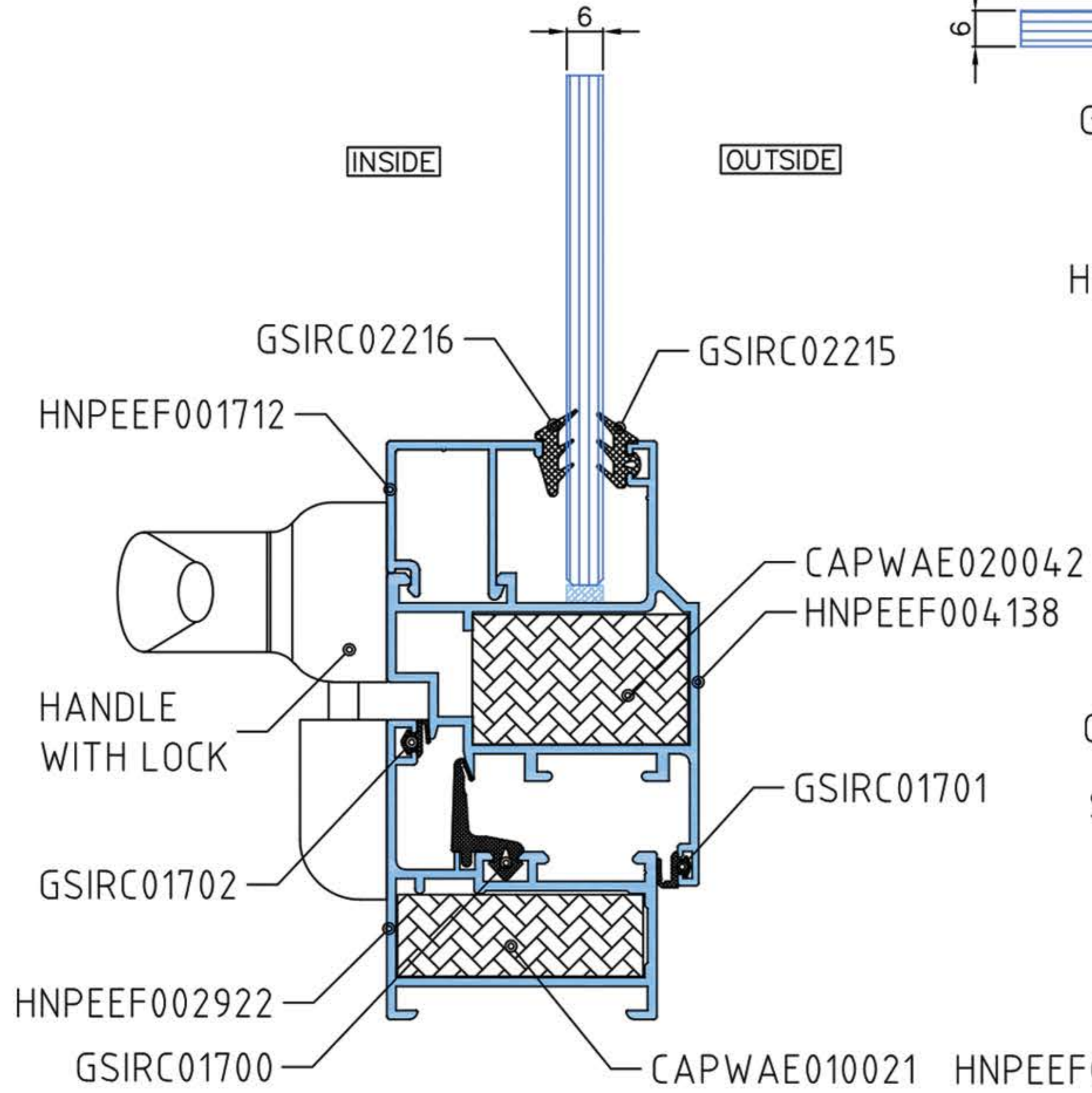
**HINGED WINDOW**



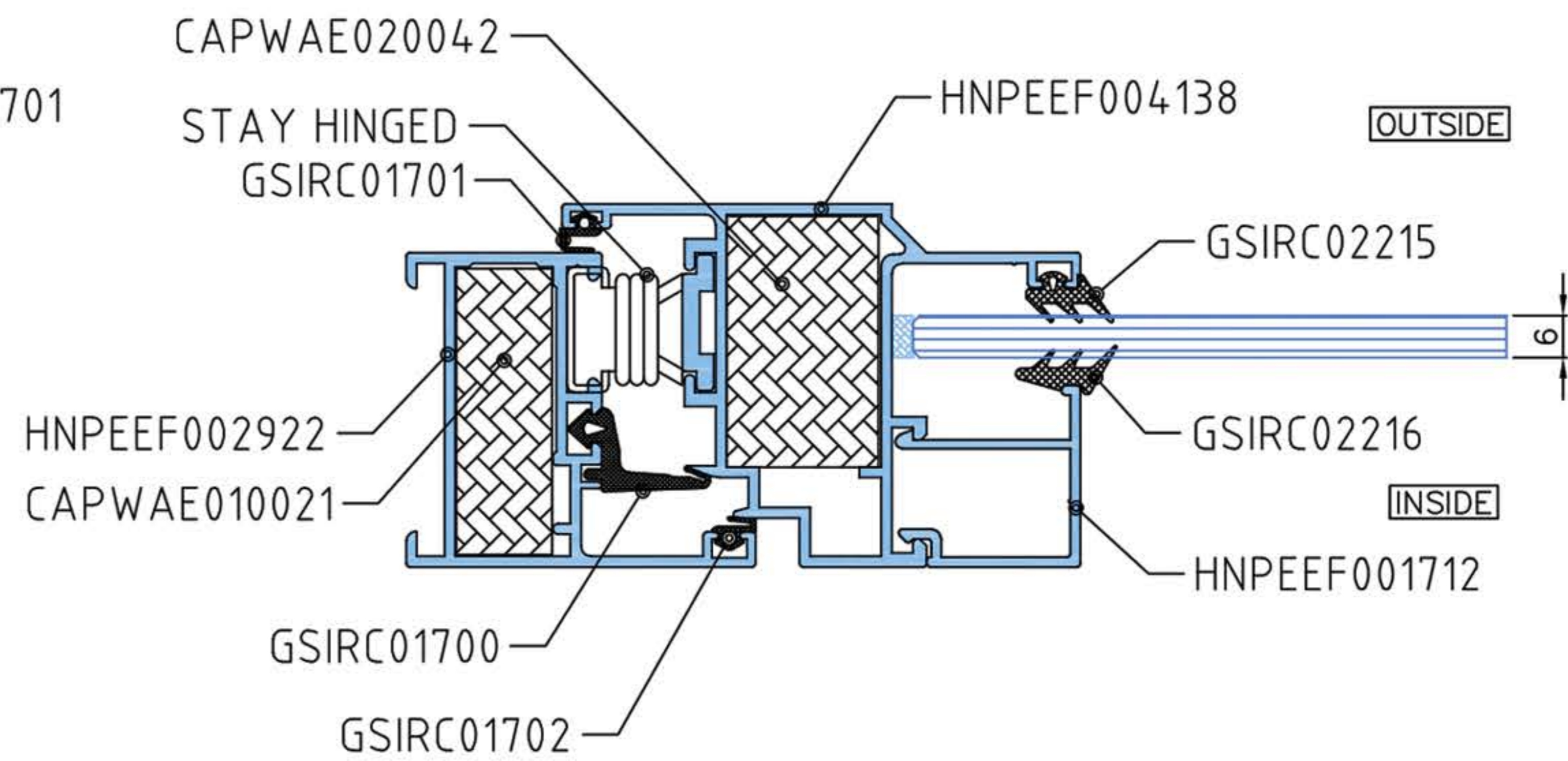
**DETAIL B**



**DETAIL C**

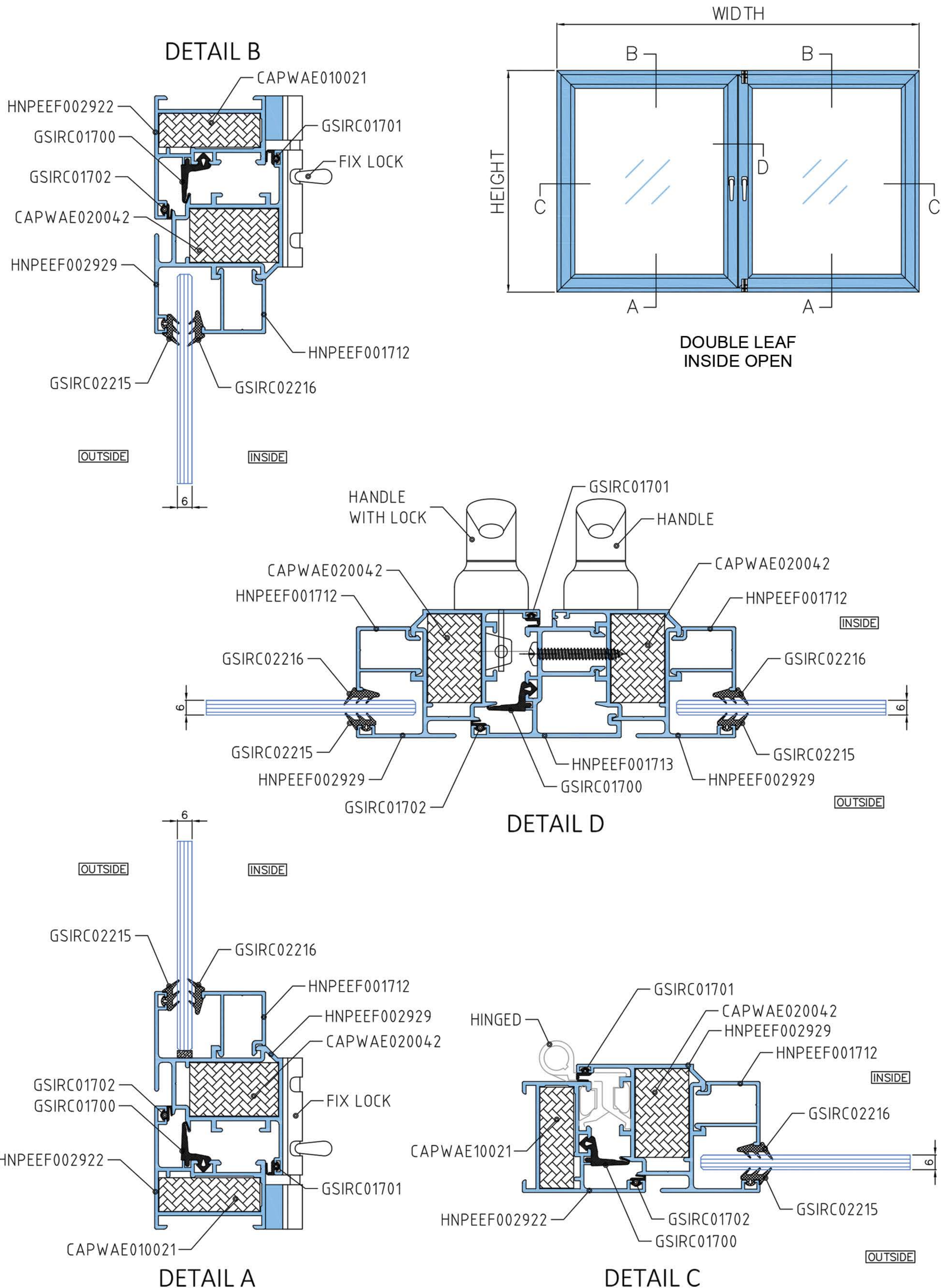


**DETAIL A**



**DETAIL D**

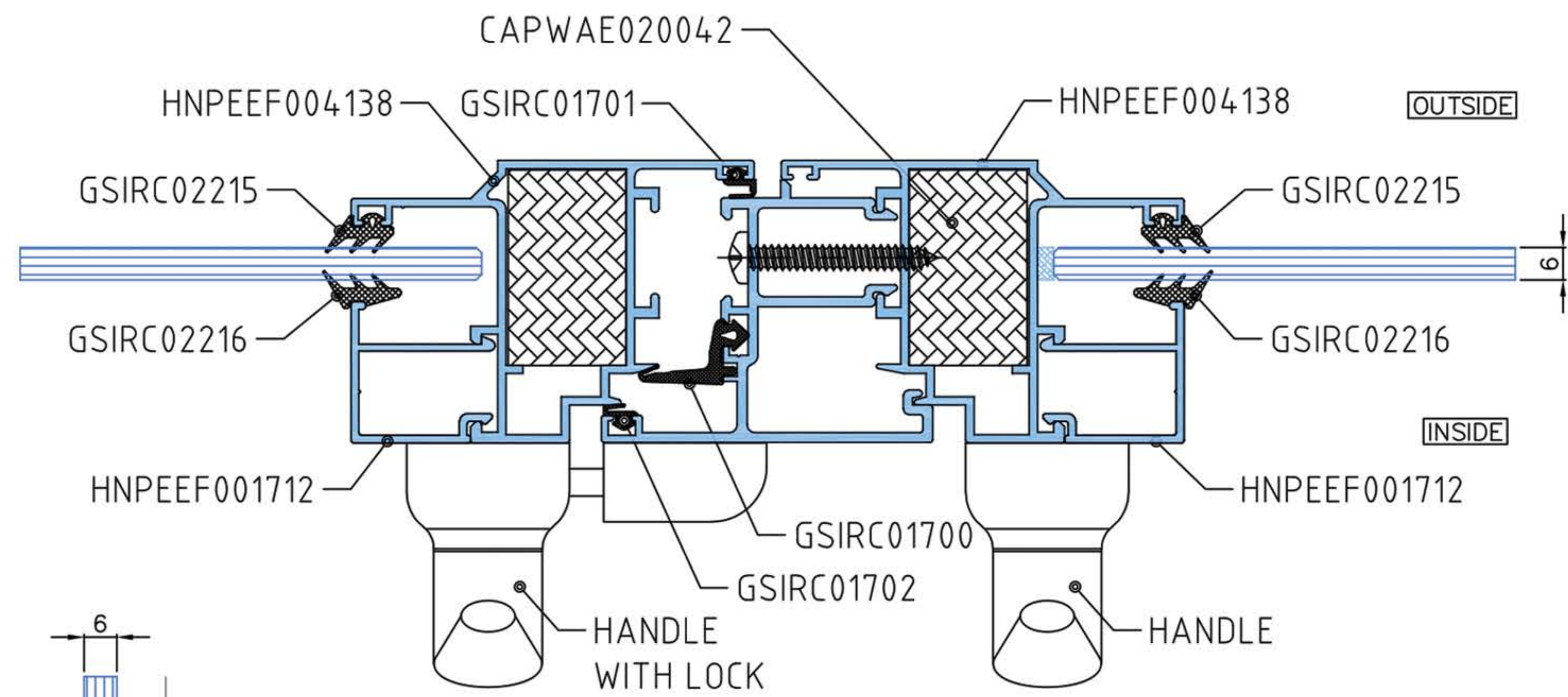
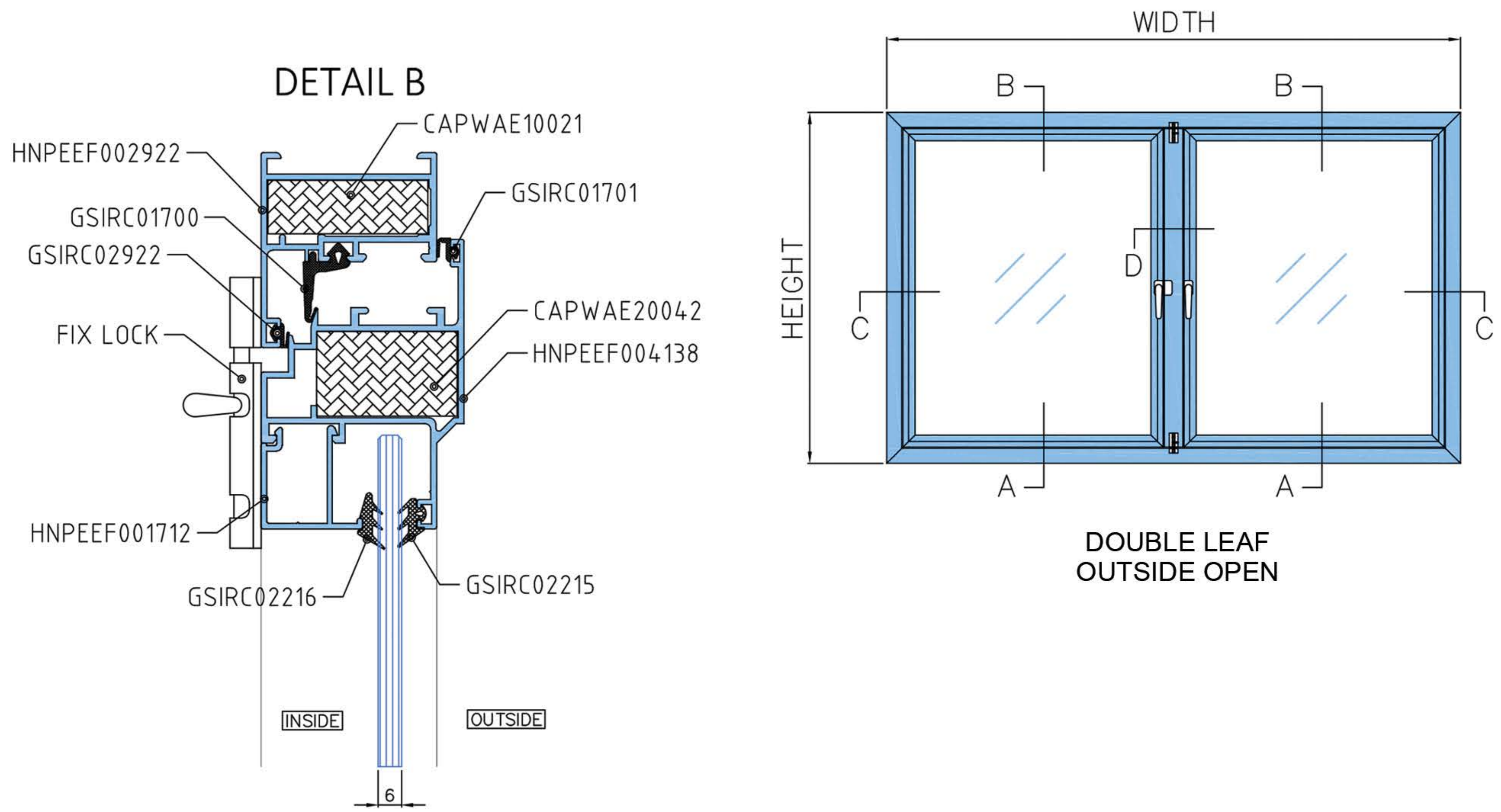
**HINGED WINDOW**



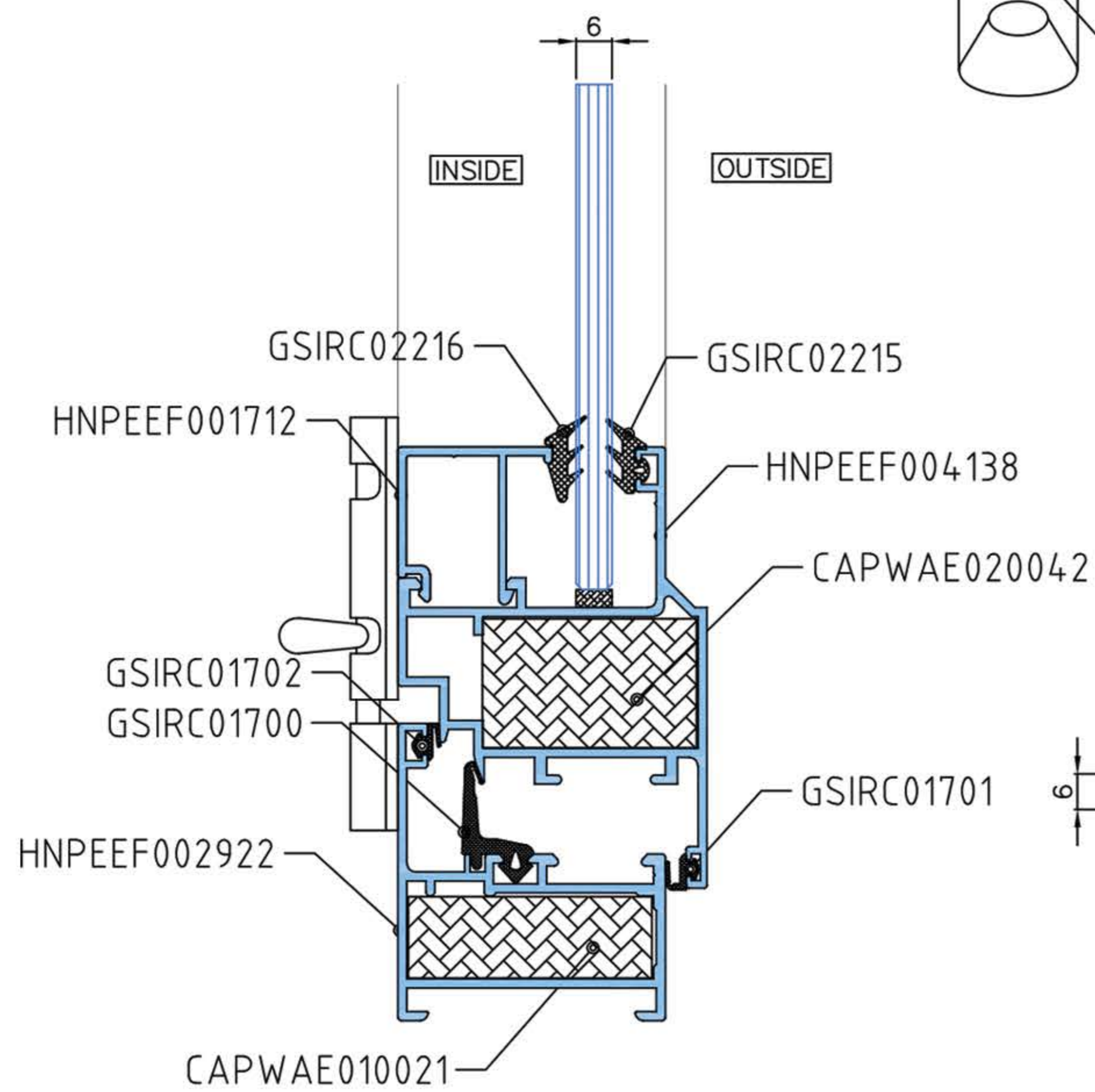
As Prospec Specialties' policy is one of continual progress for the improvement of the company's services to its customers, the company reserves the right to modify the specifications of its products without notice.



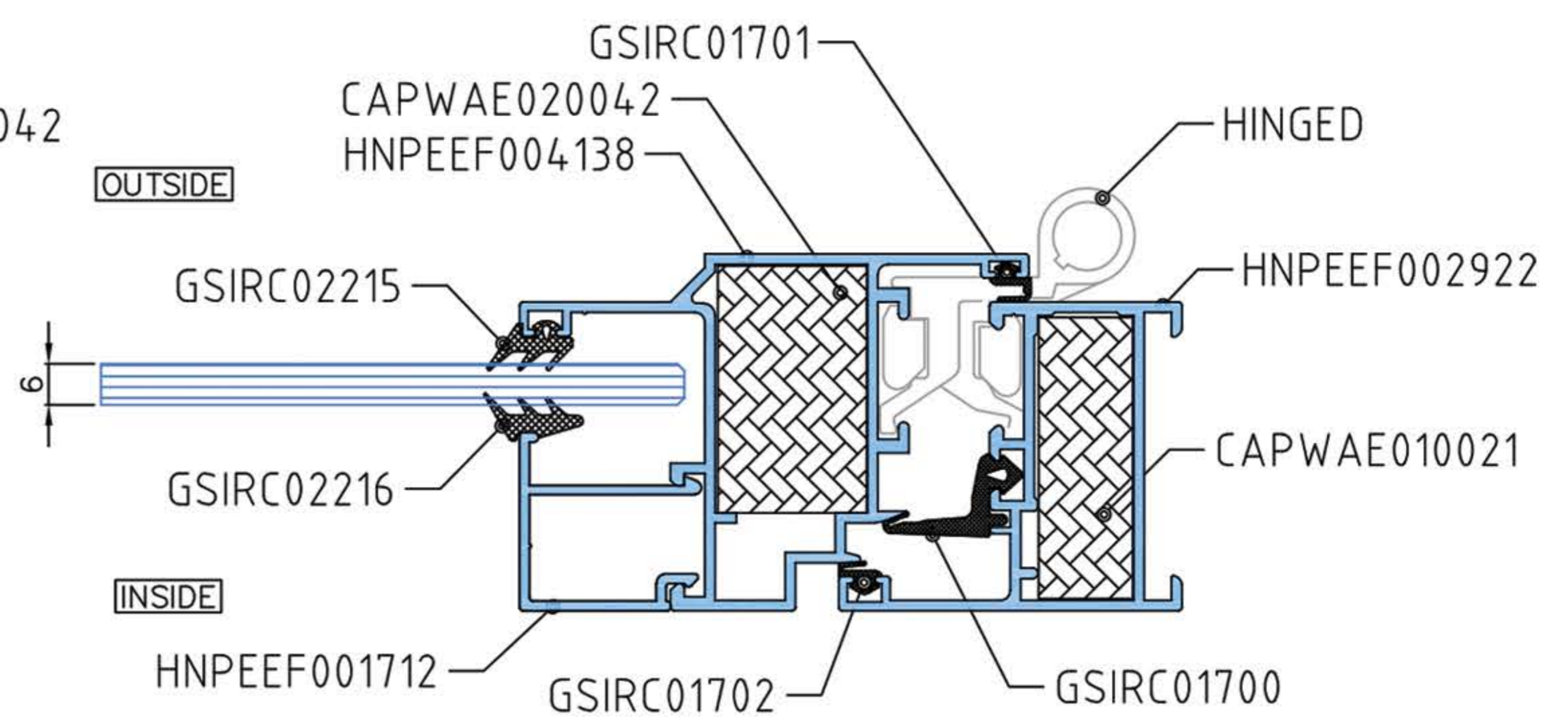
**HINGED WINDOW**



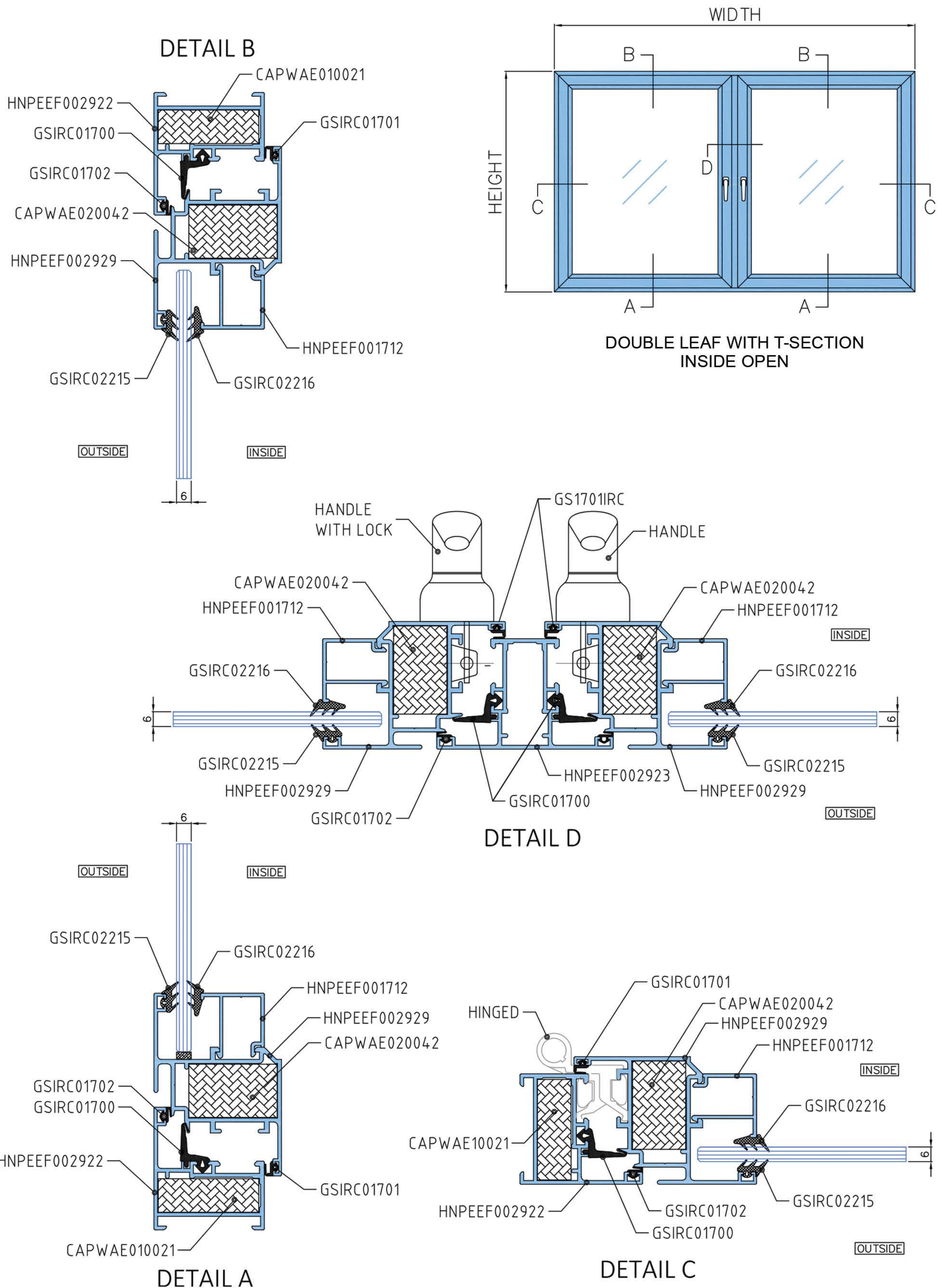
**DETAIL D**



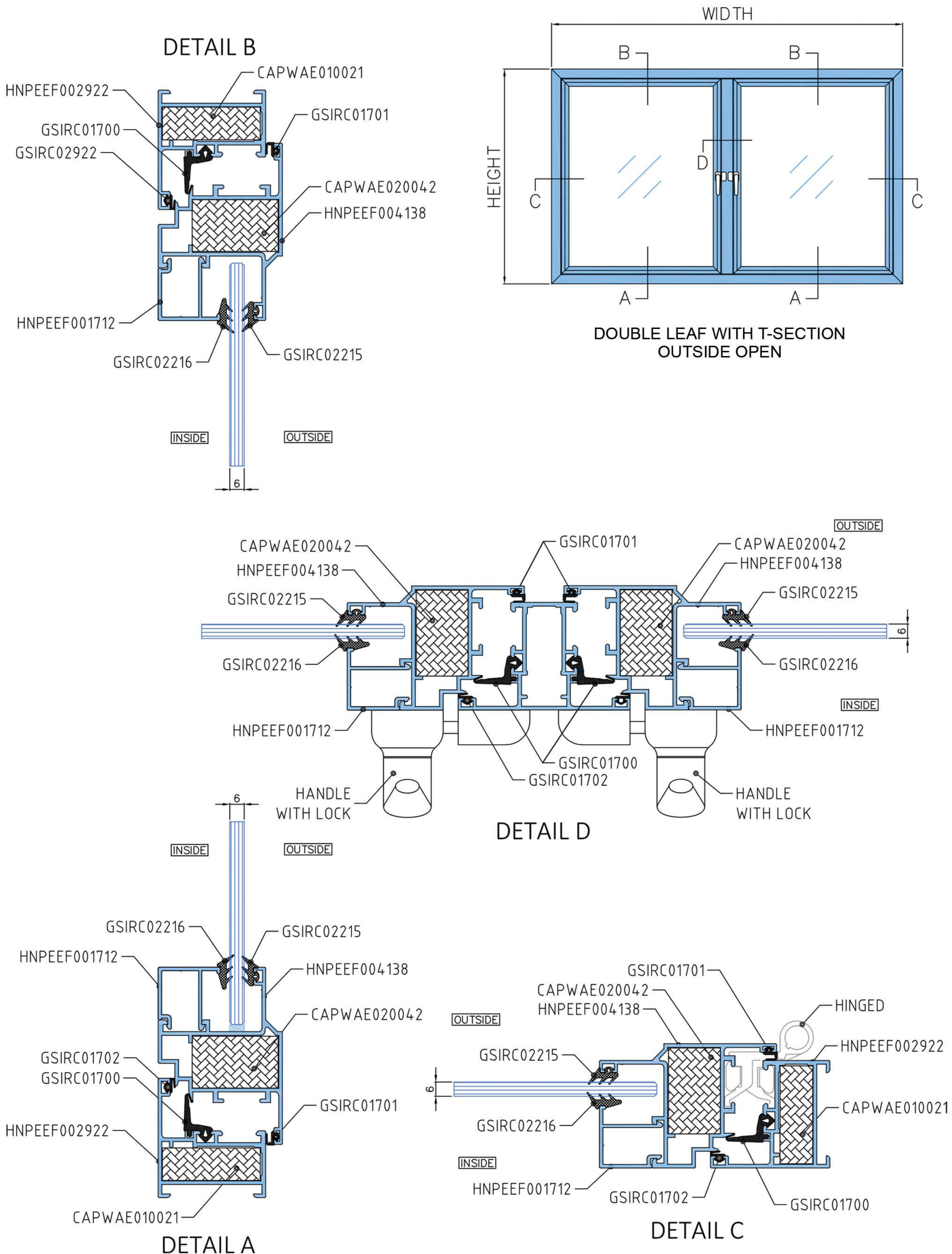
**DETAIL A**



**DETAIL C**

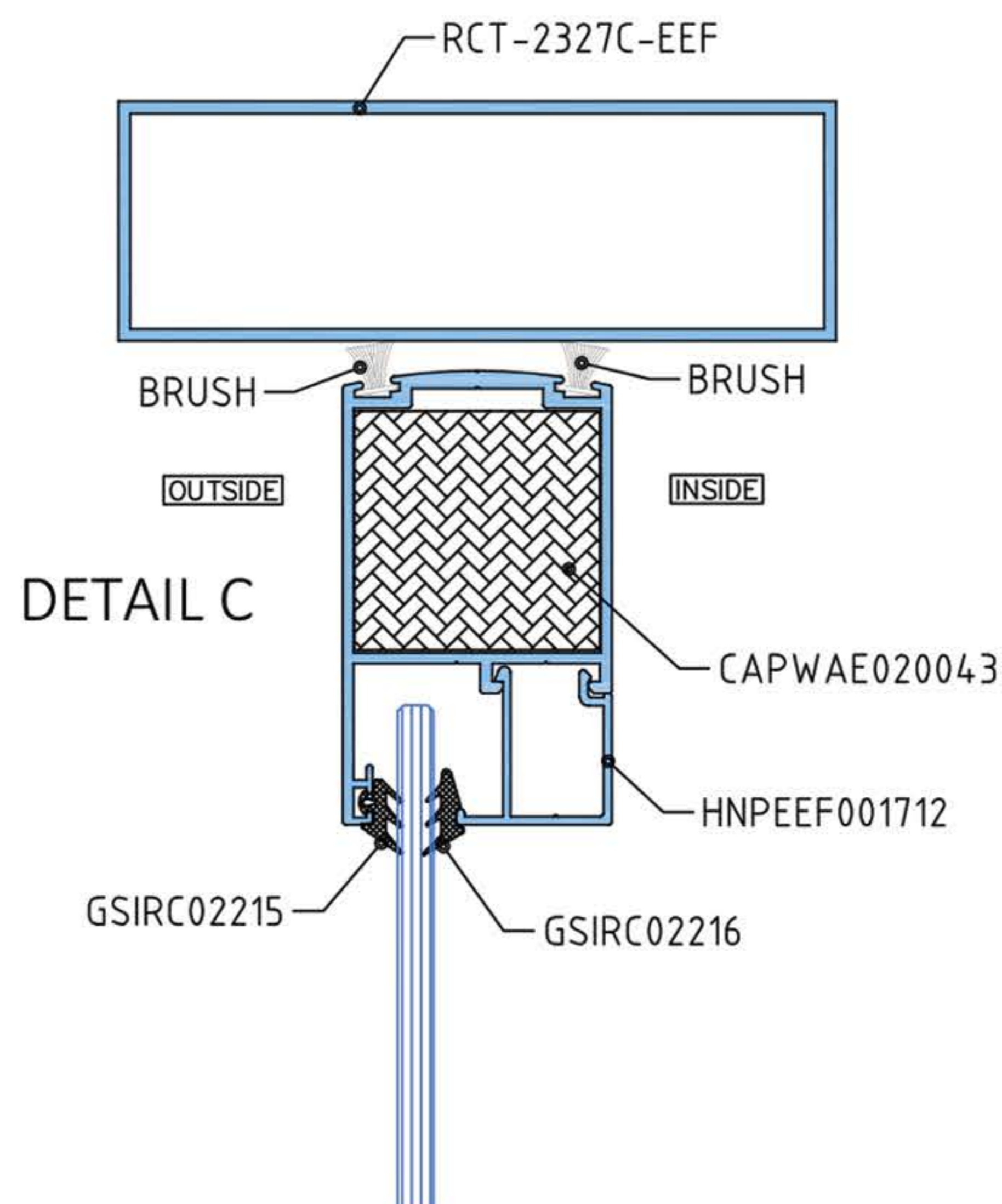
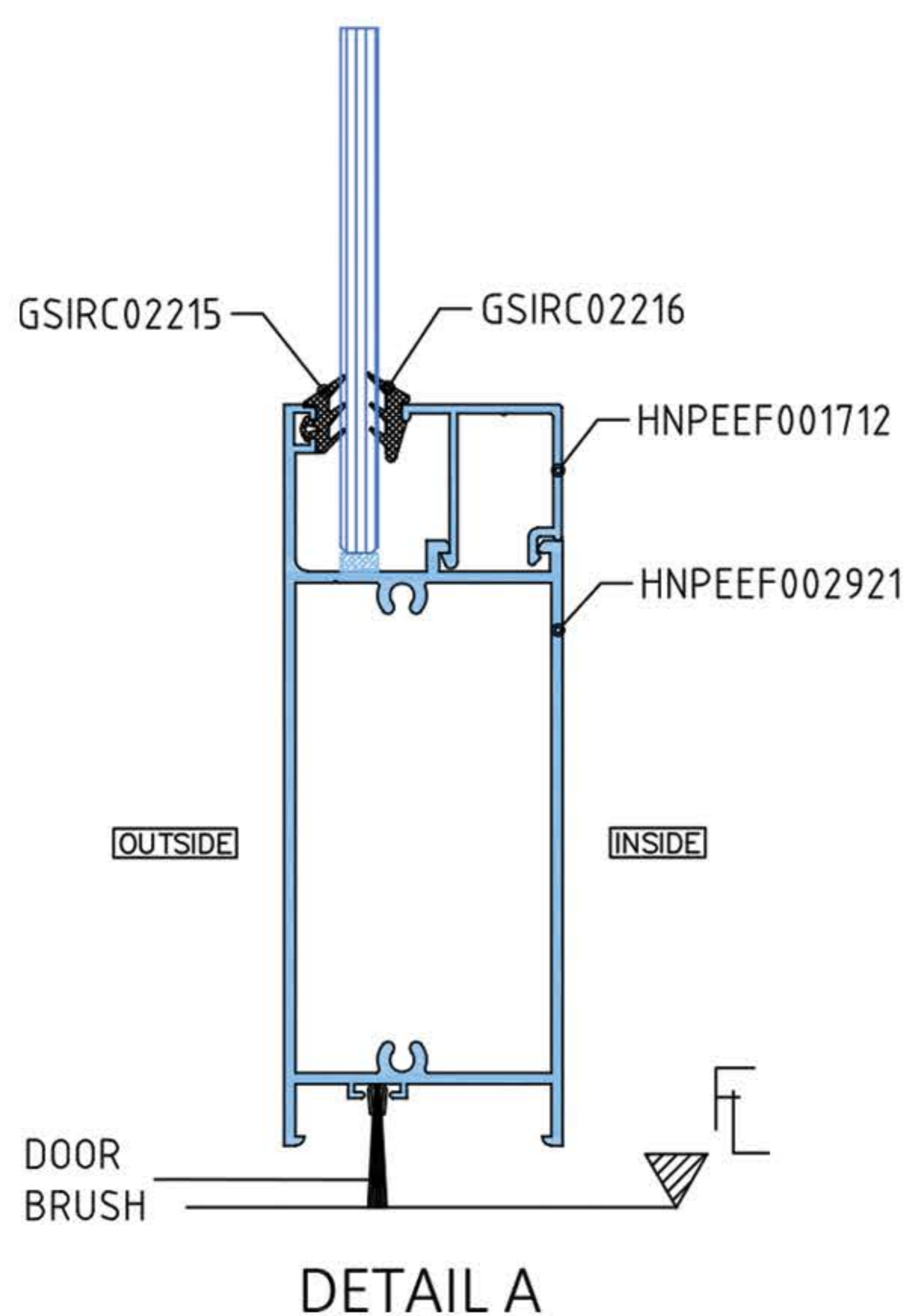
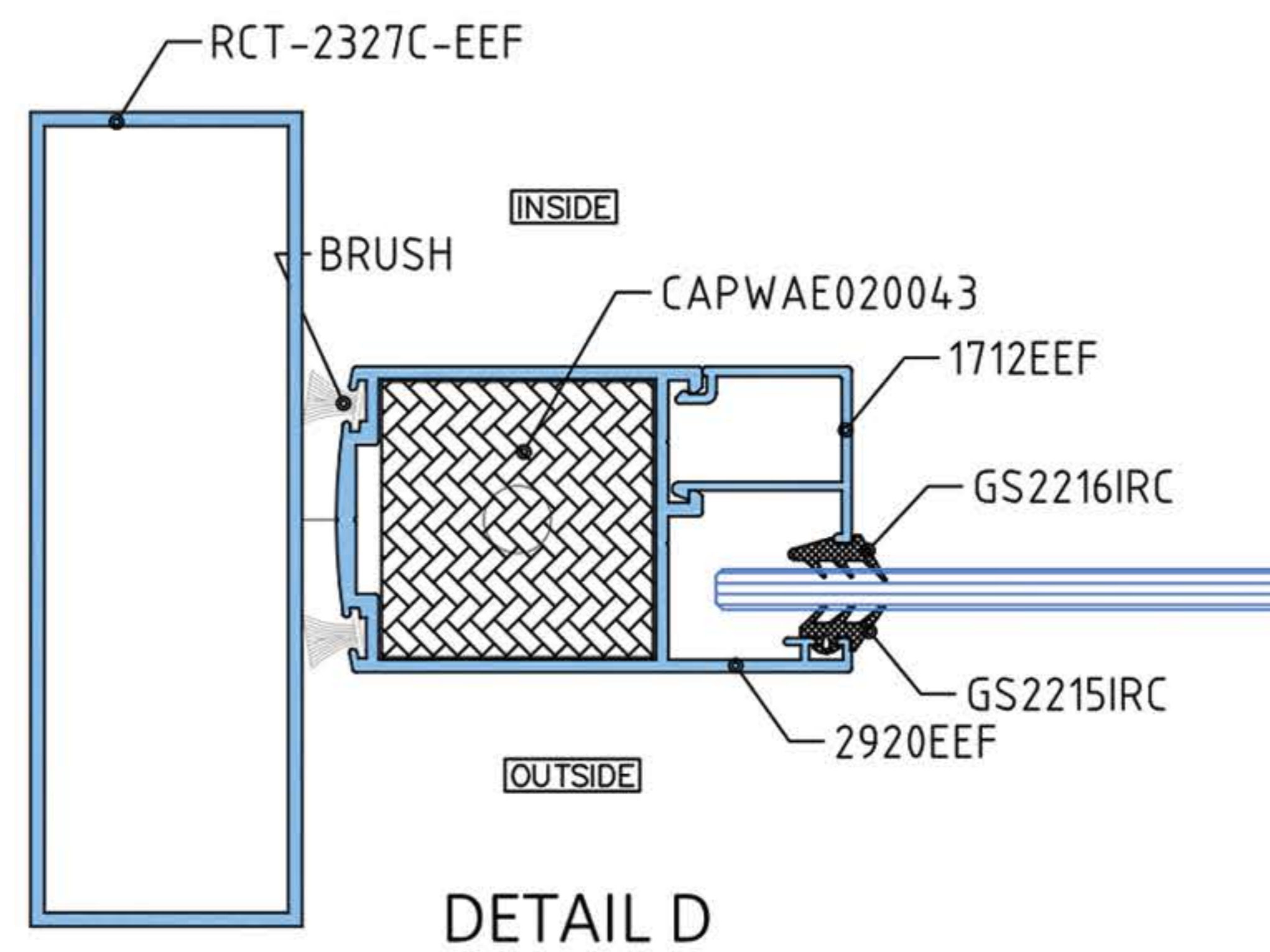
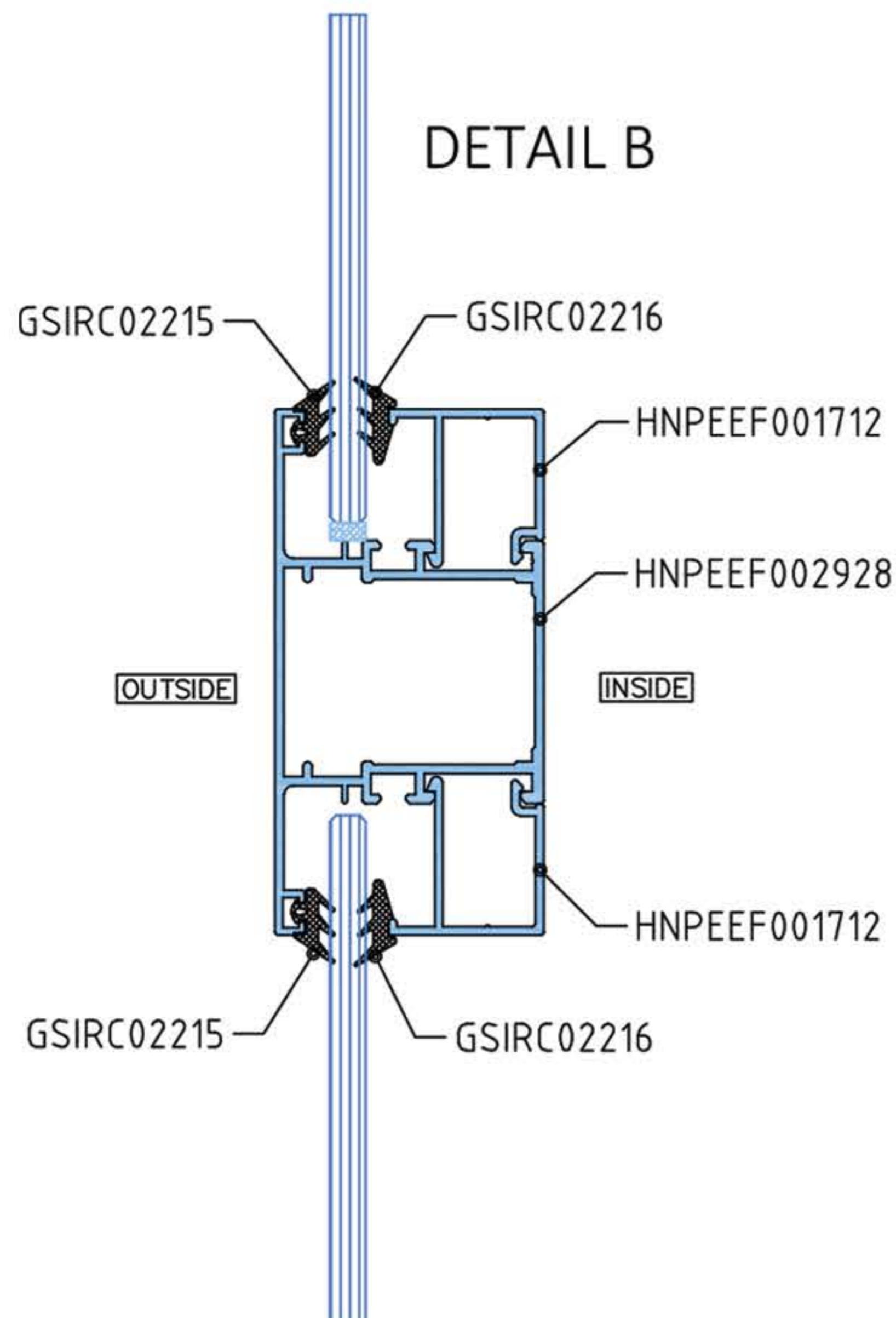
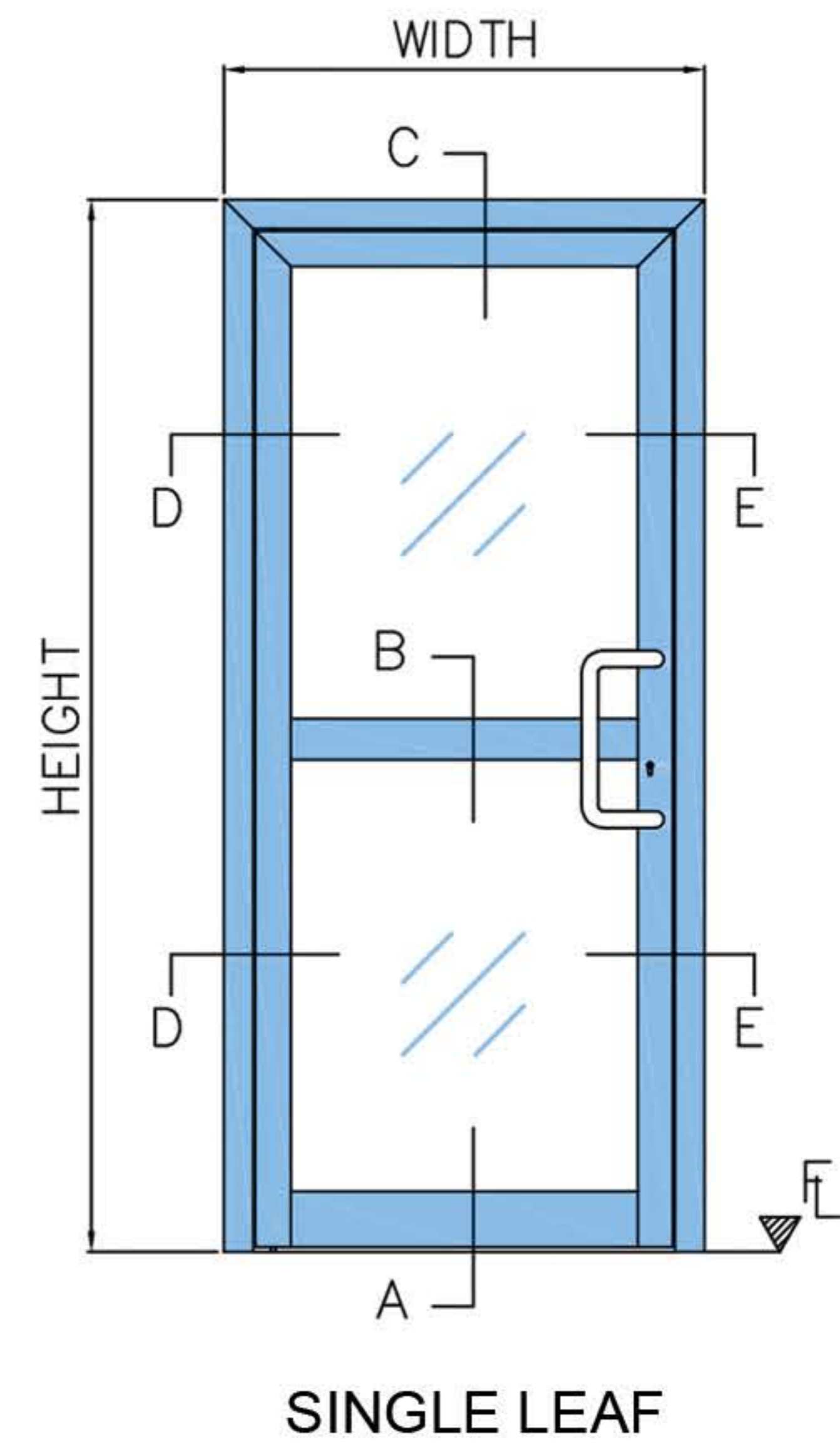
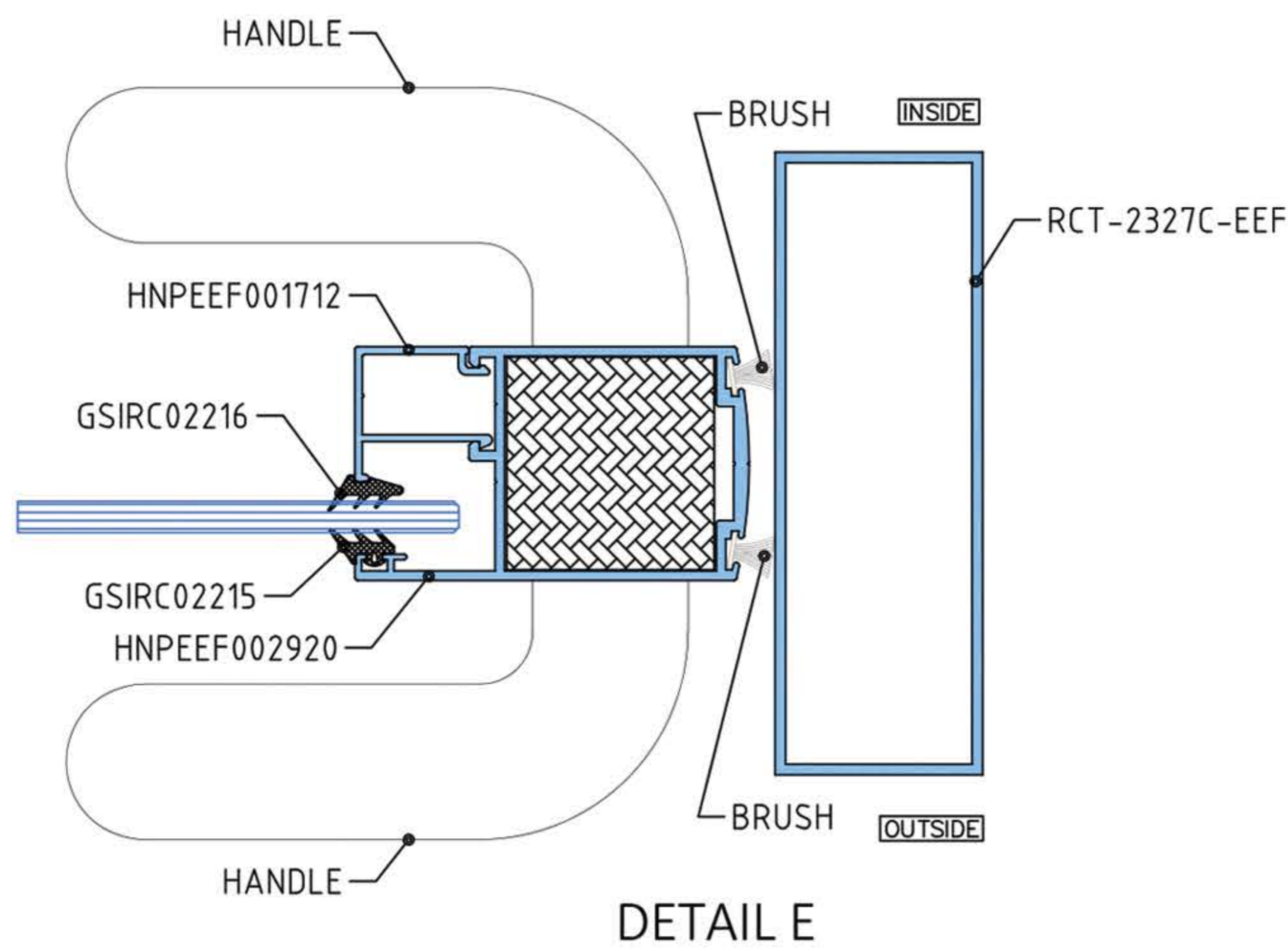


**HINGED WINDOW**

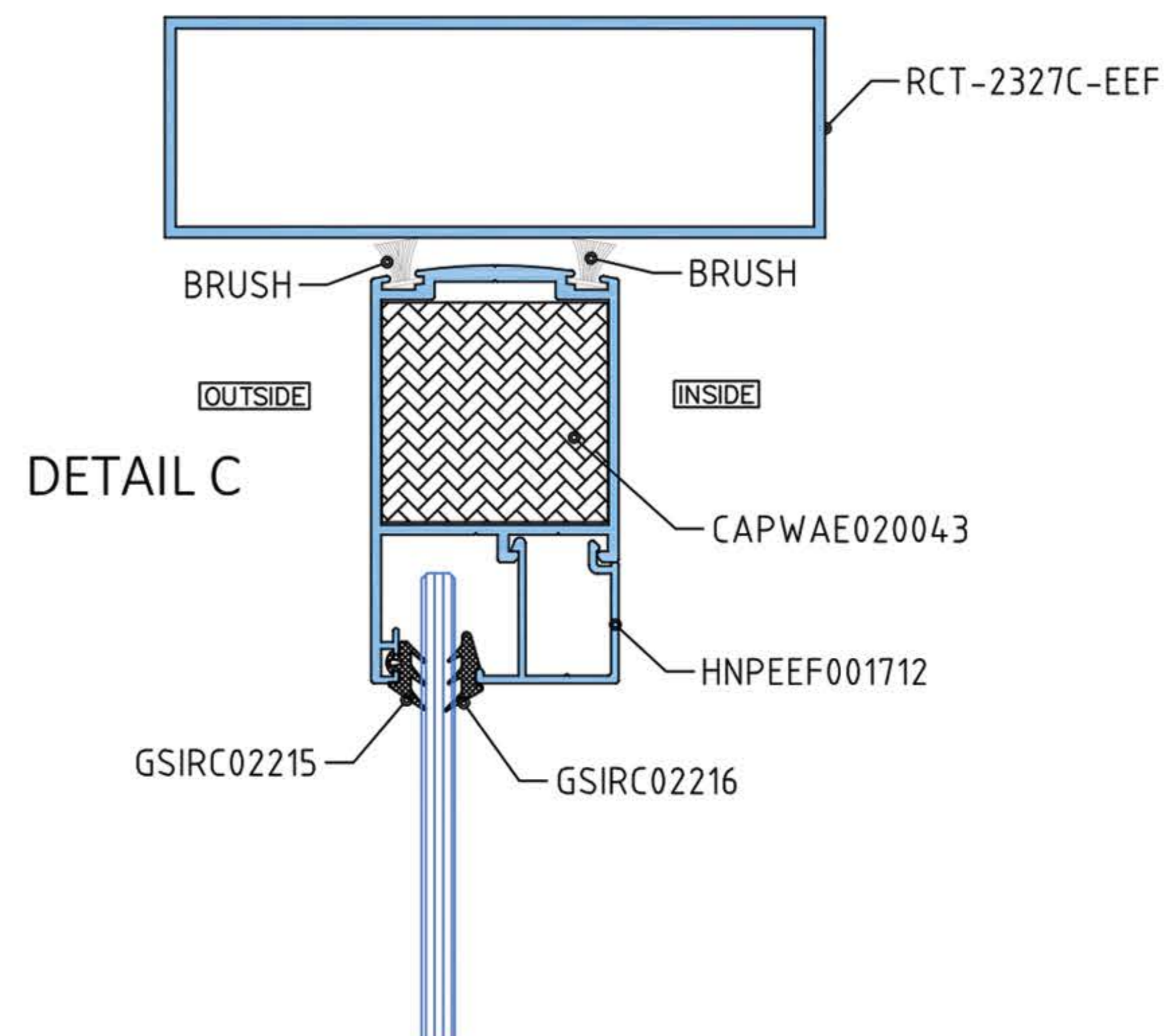
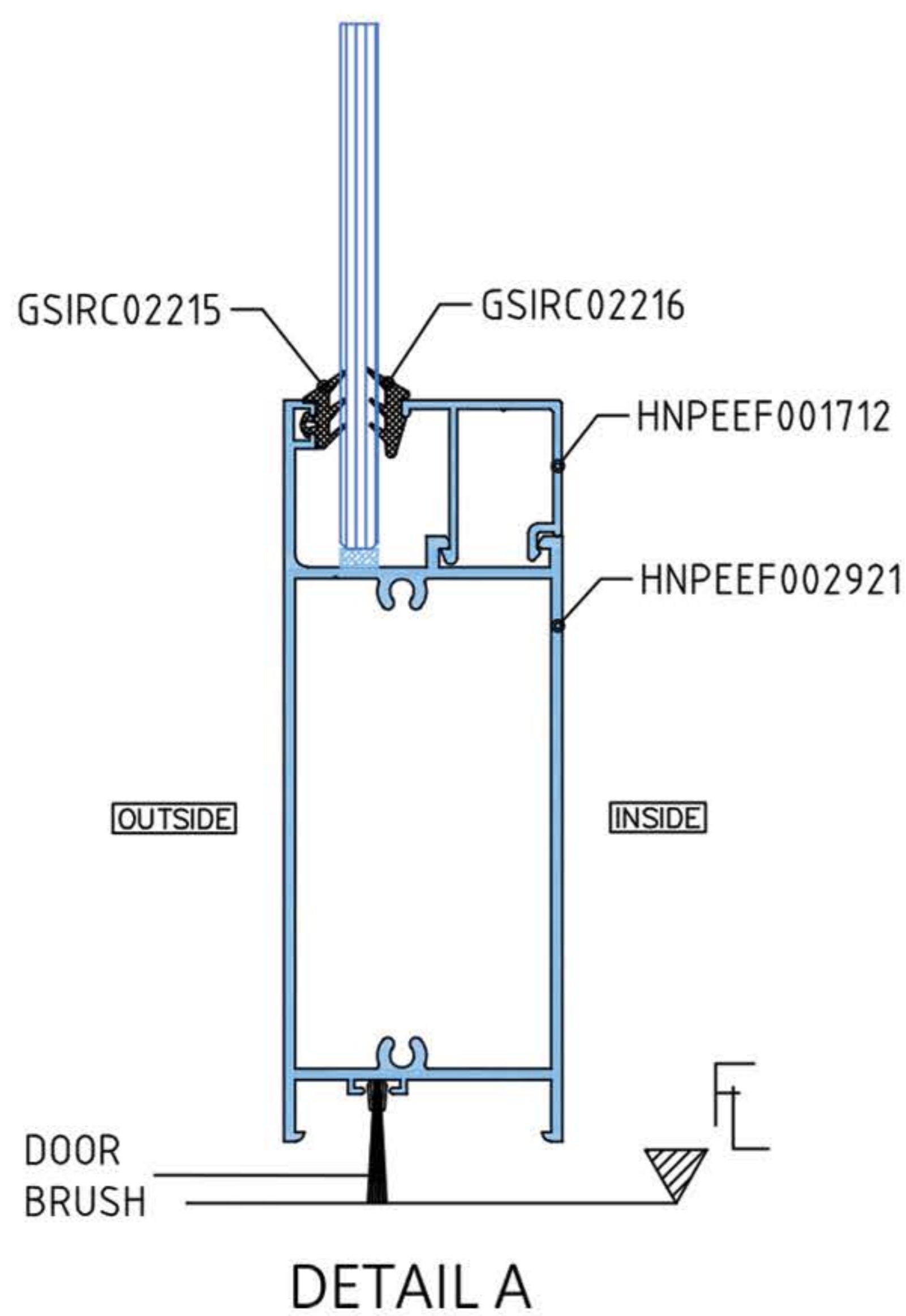
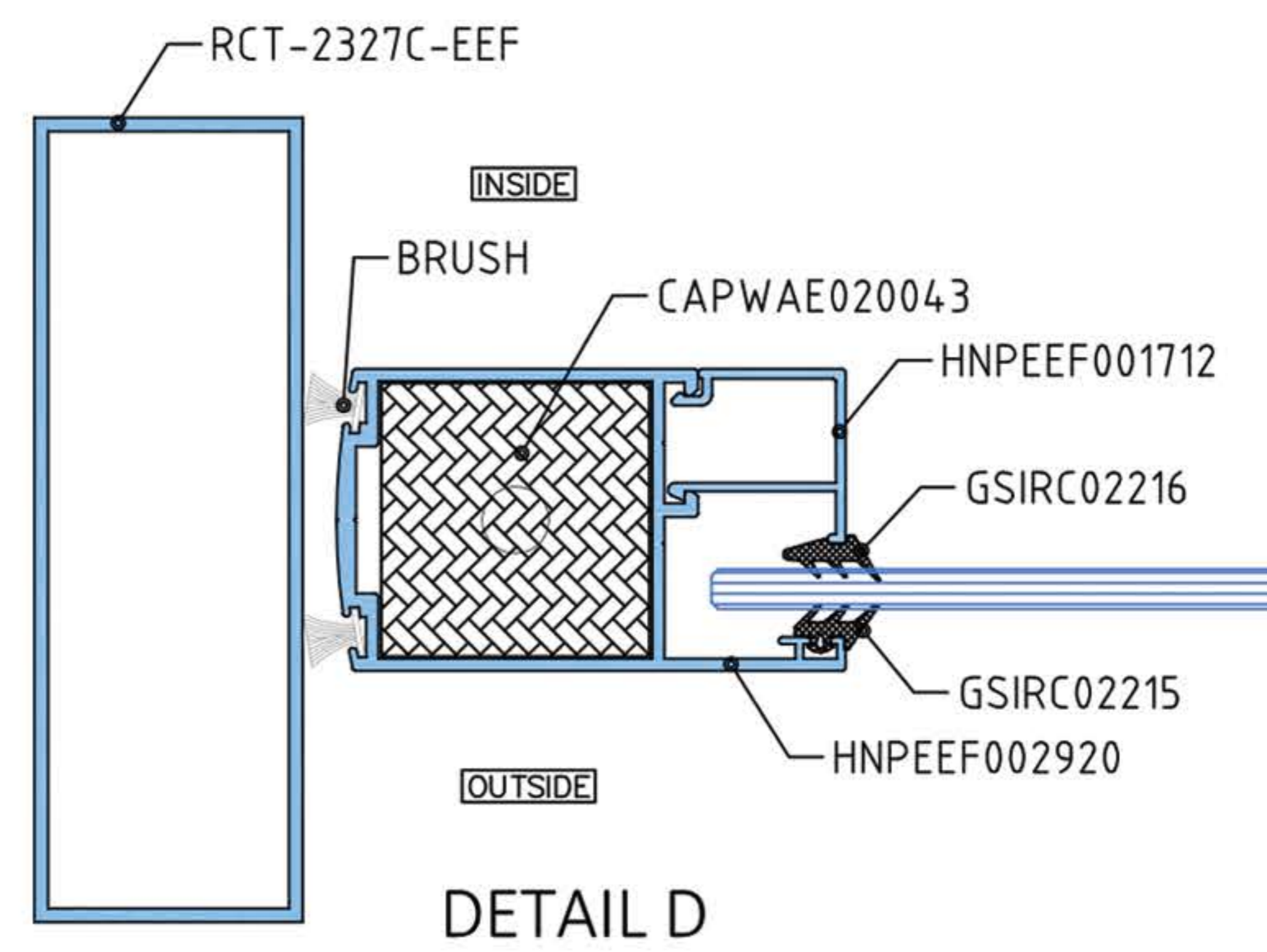
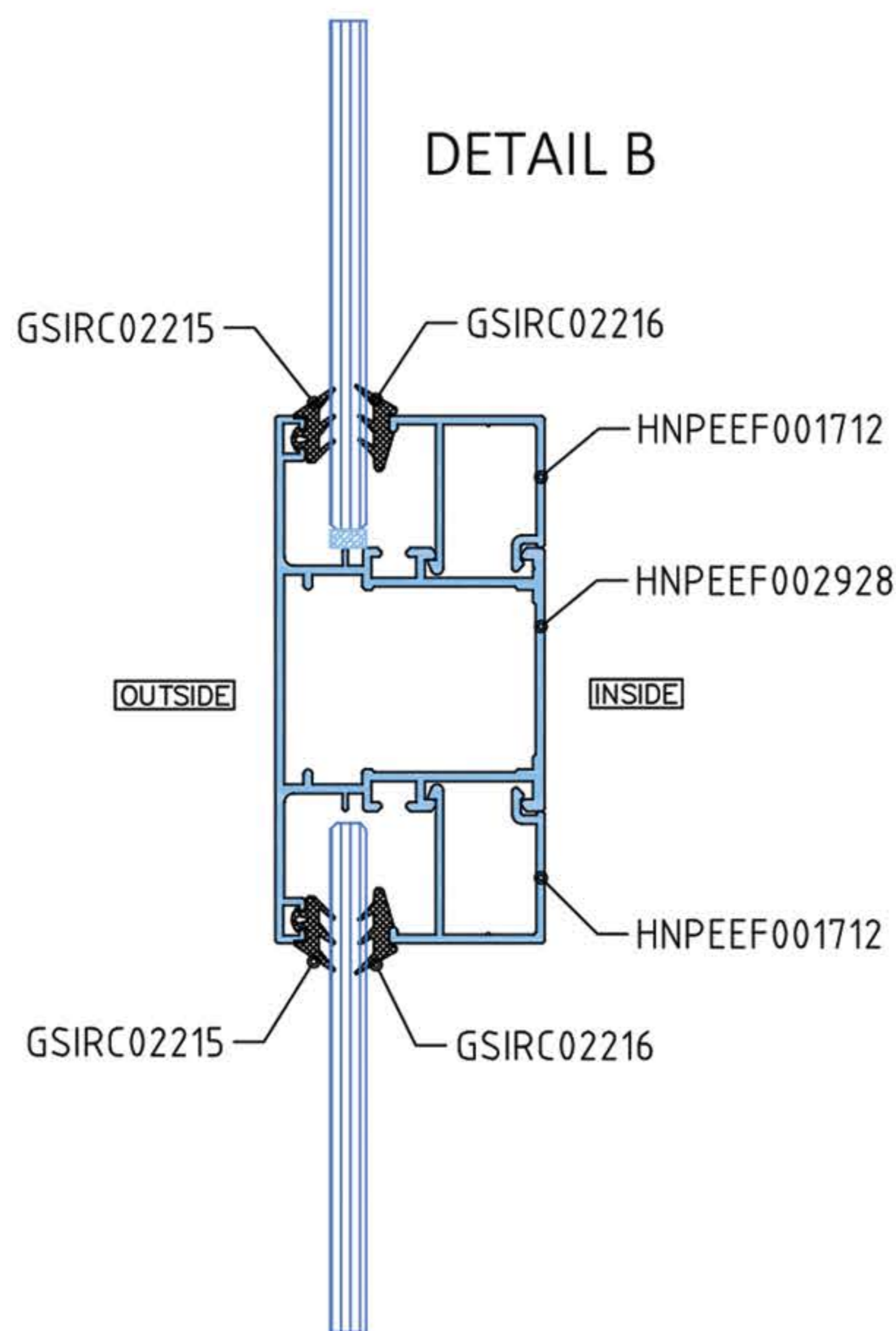
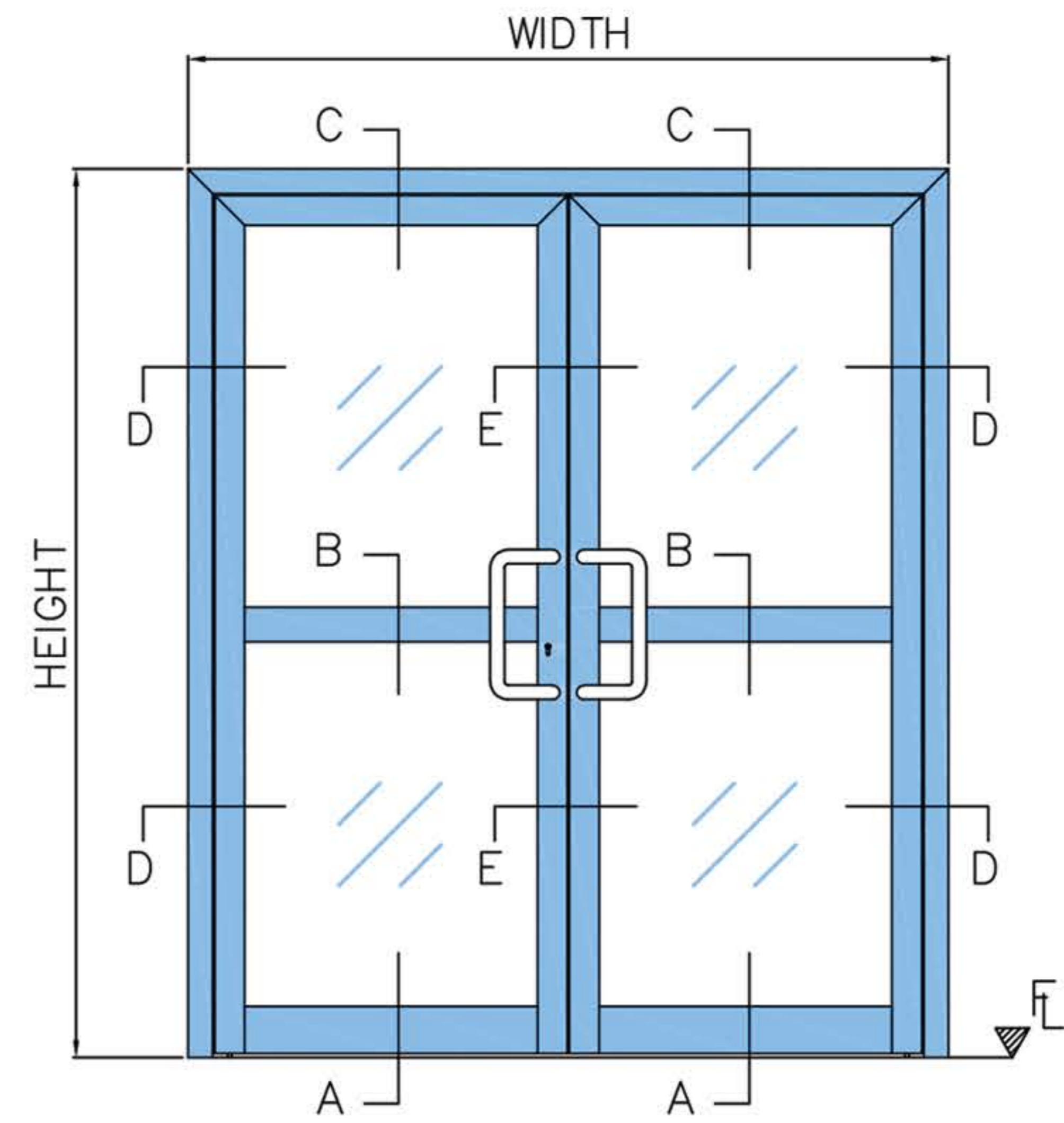
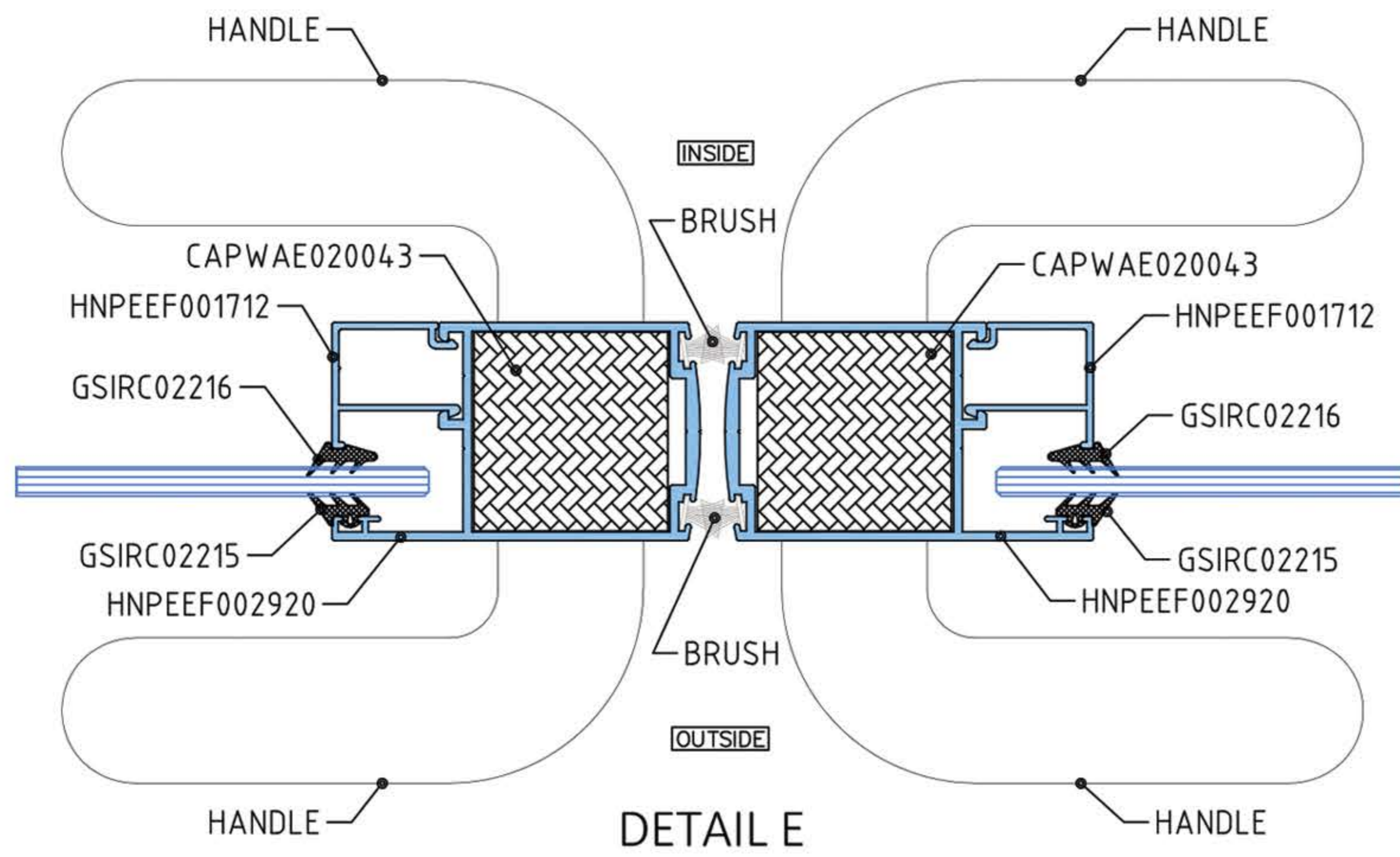


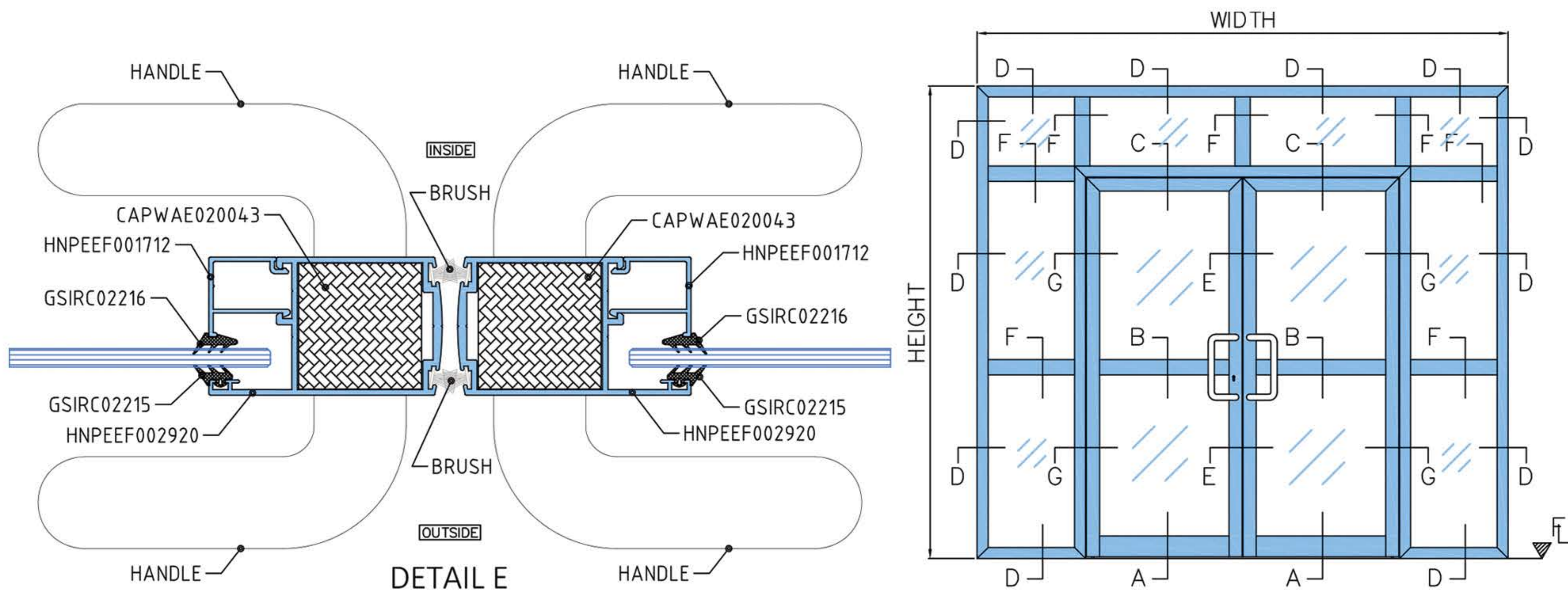
As Prospec Specialties' policy is one of continual progress for the improvement of the company's services to its customers, the company reserves the right to modify the specifications of its products without notice.

**SWING DOOR**

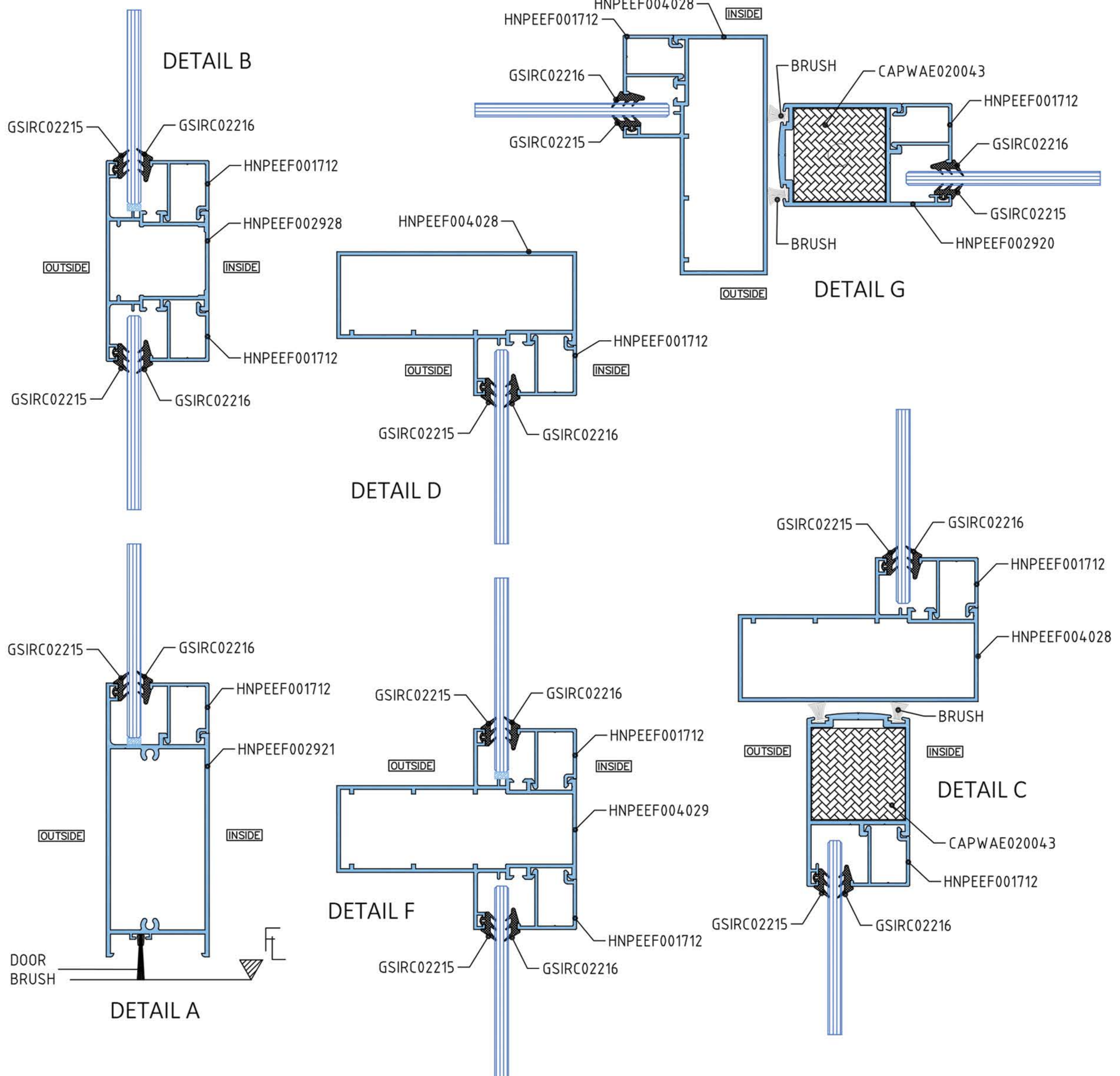


**SWING DOOR**



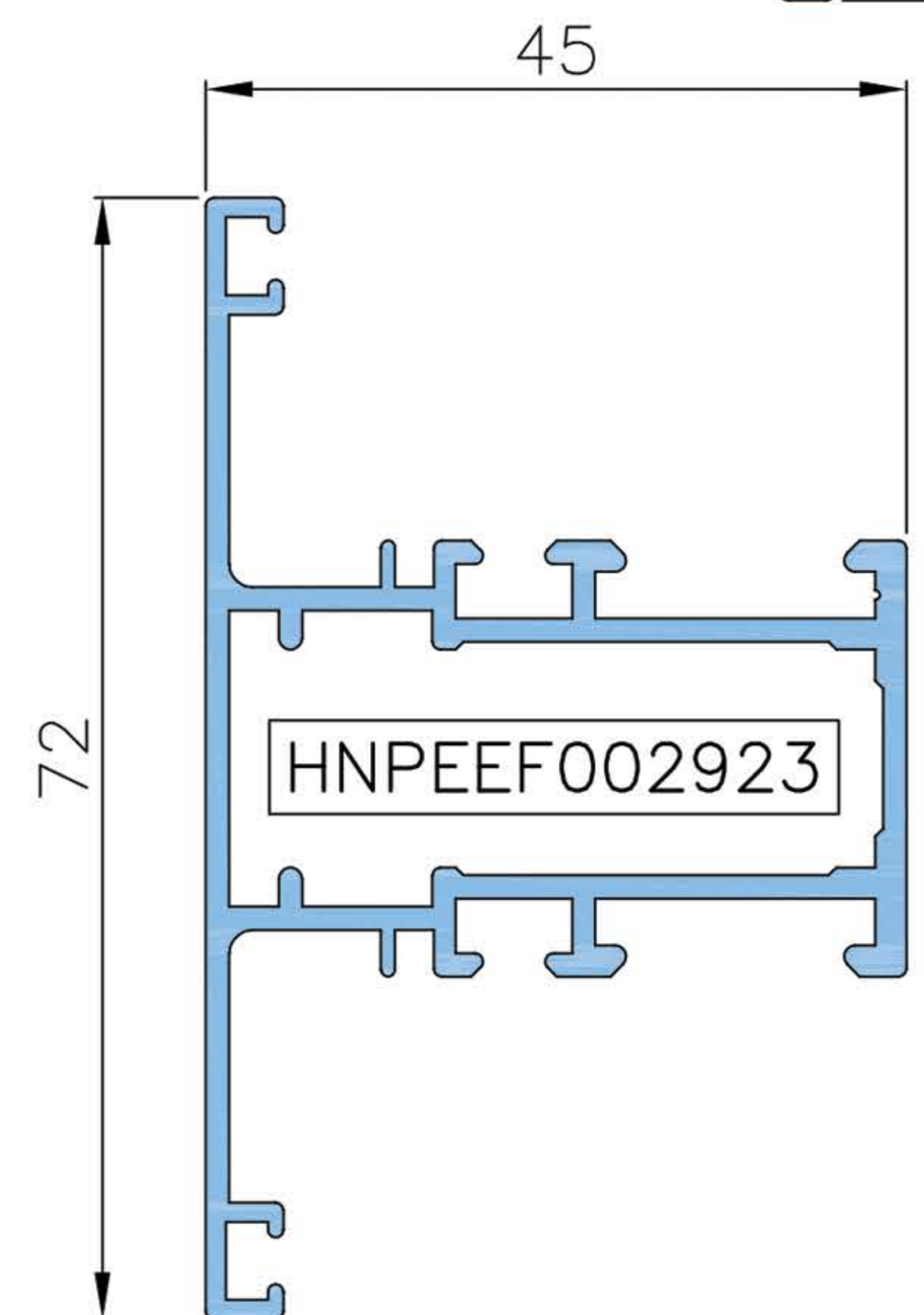
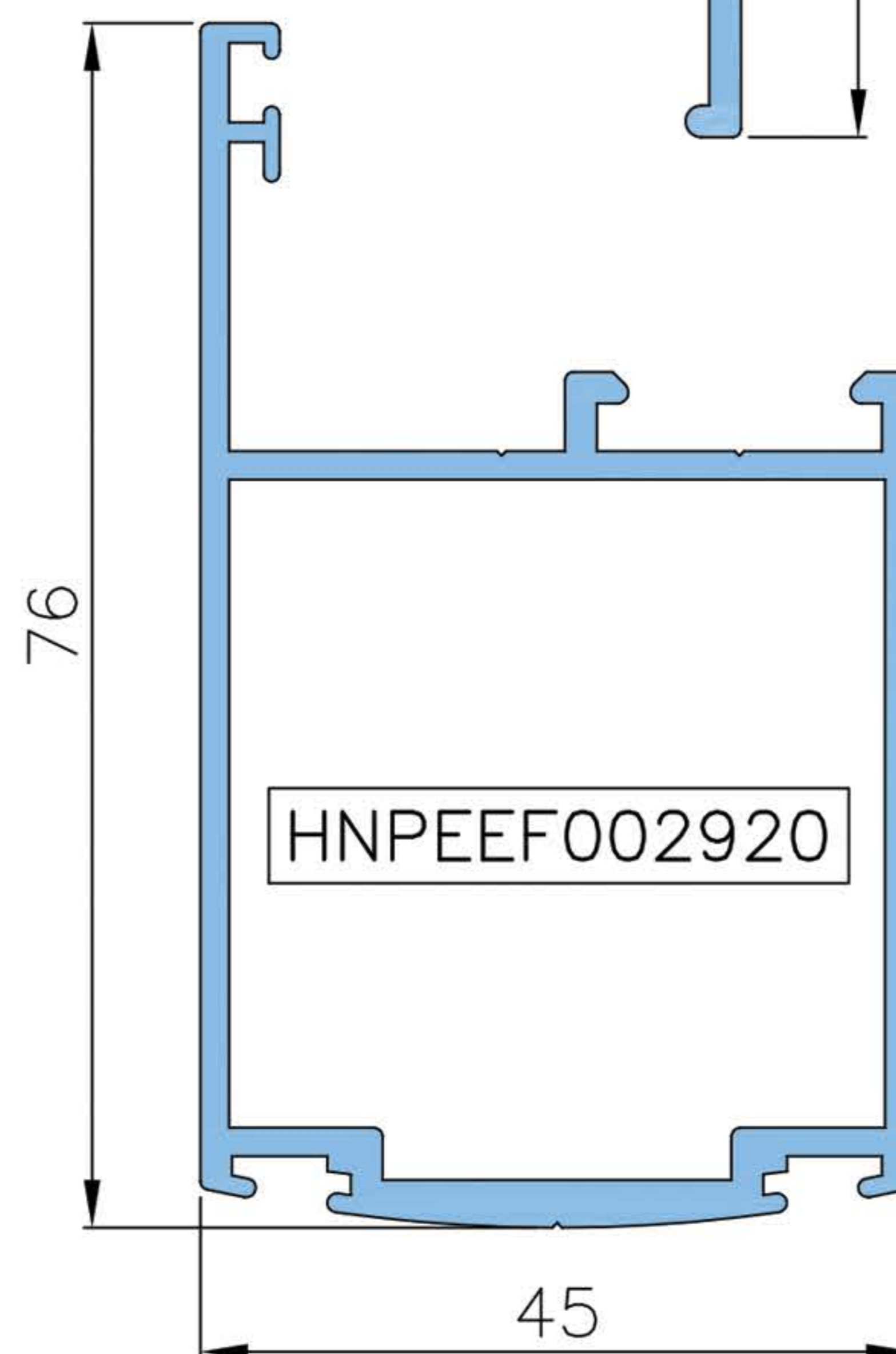
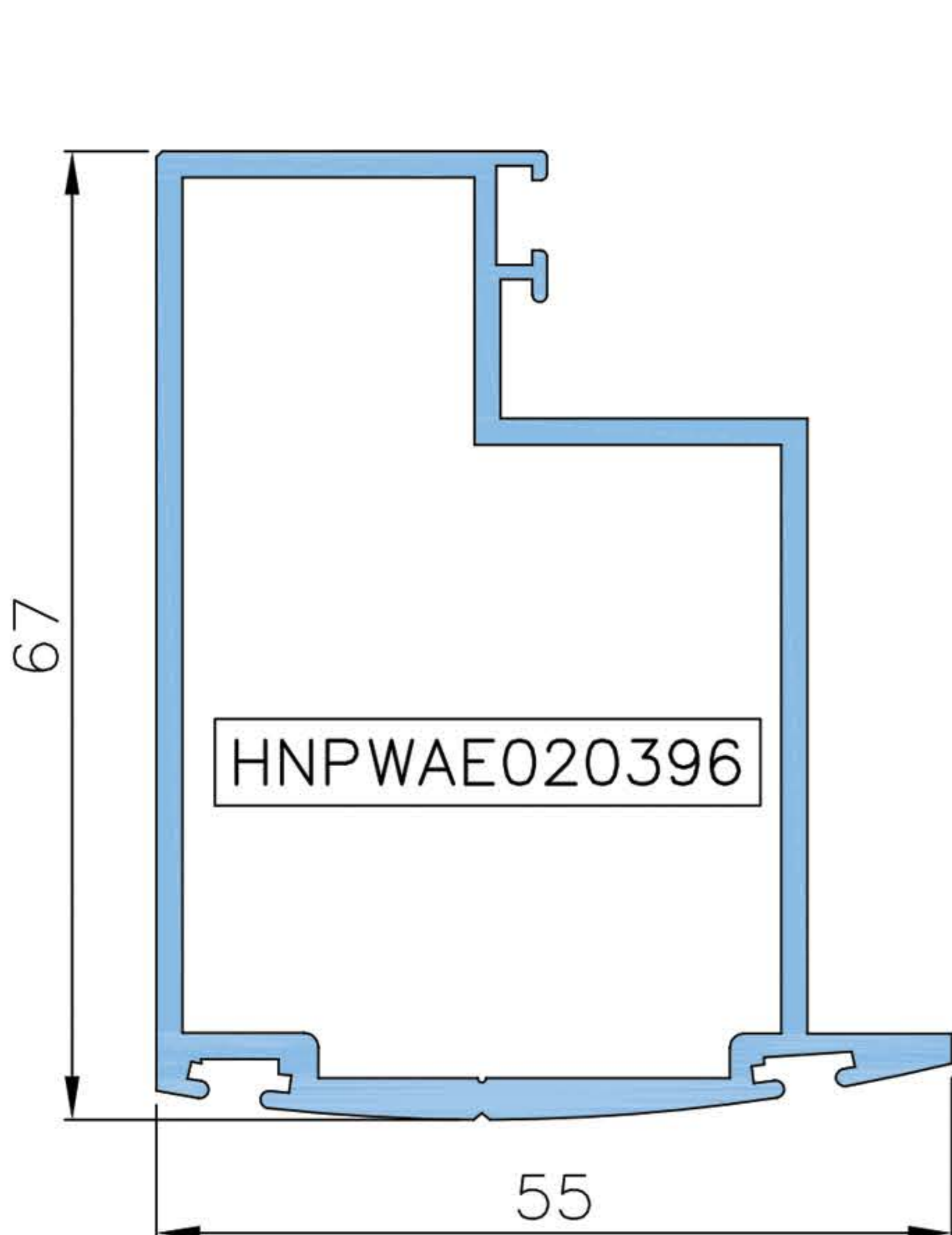
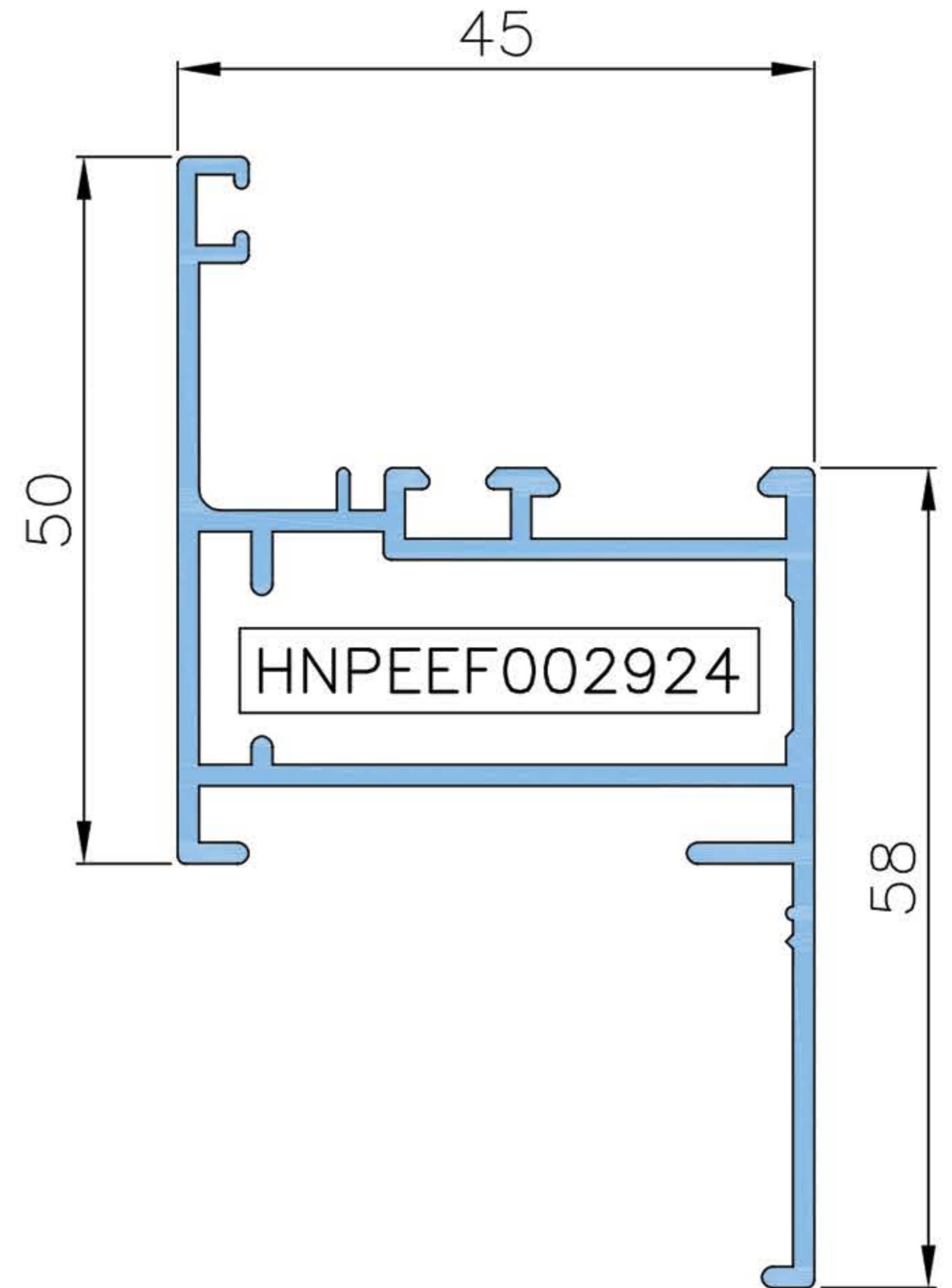
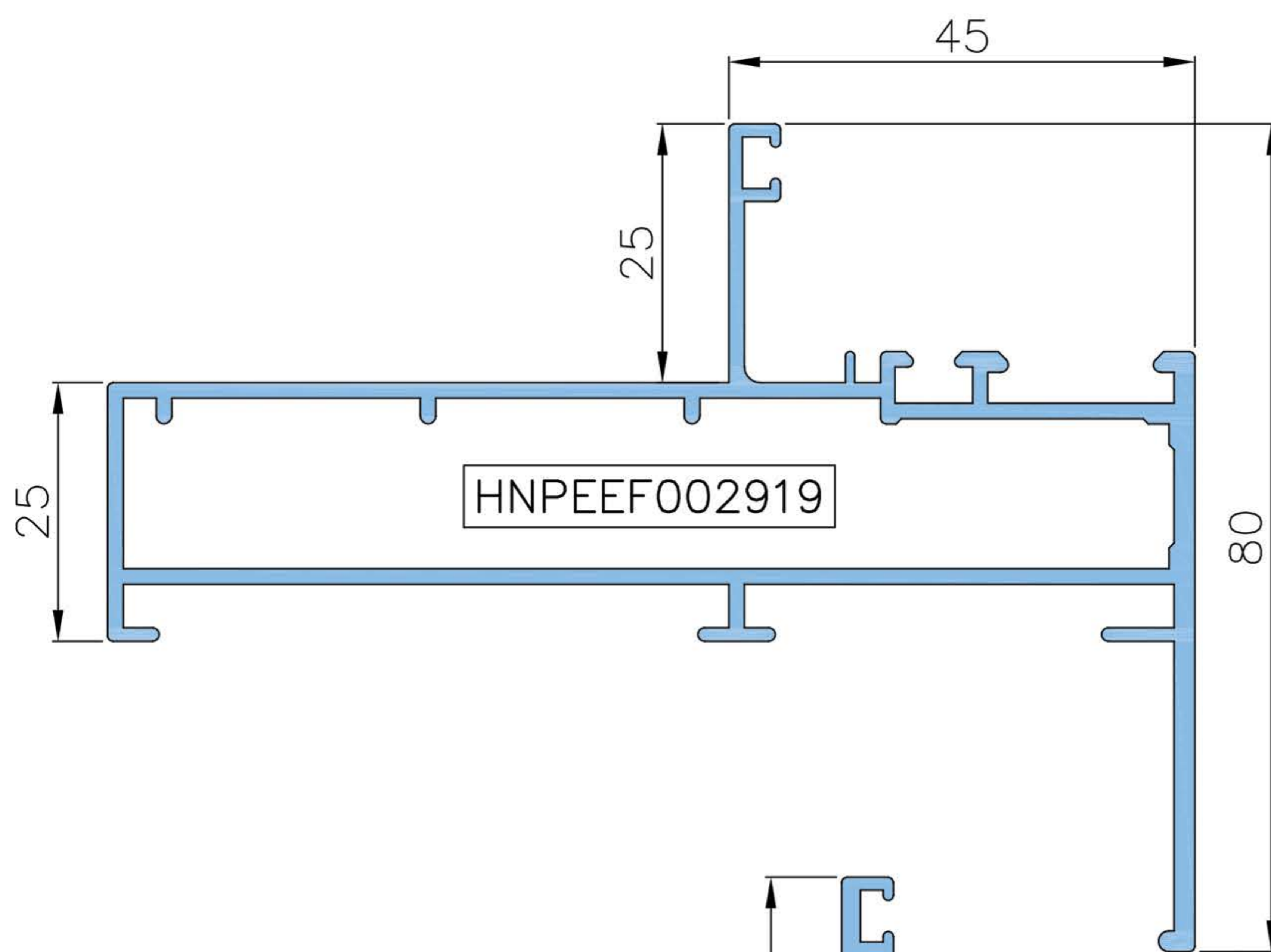
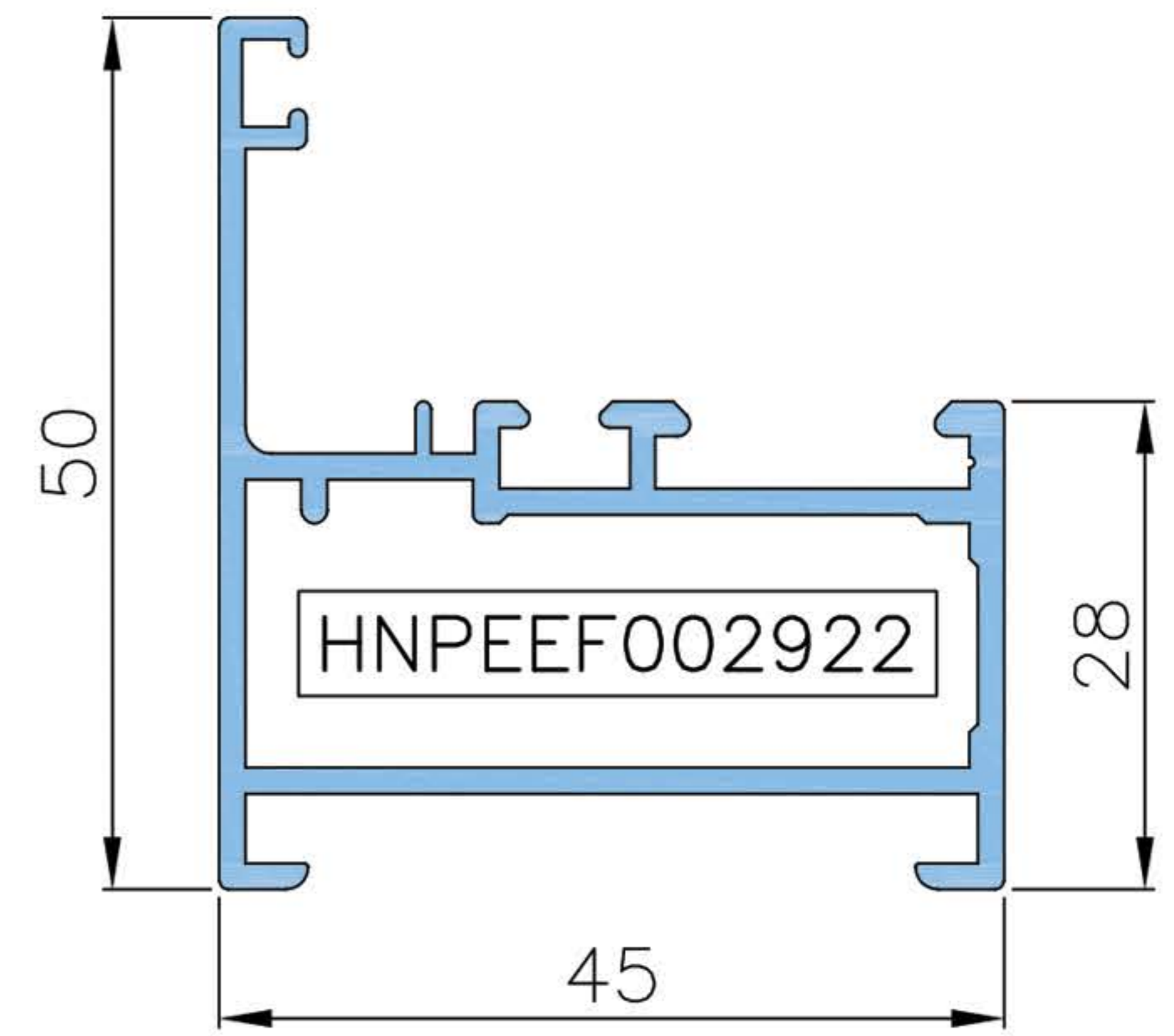
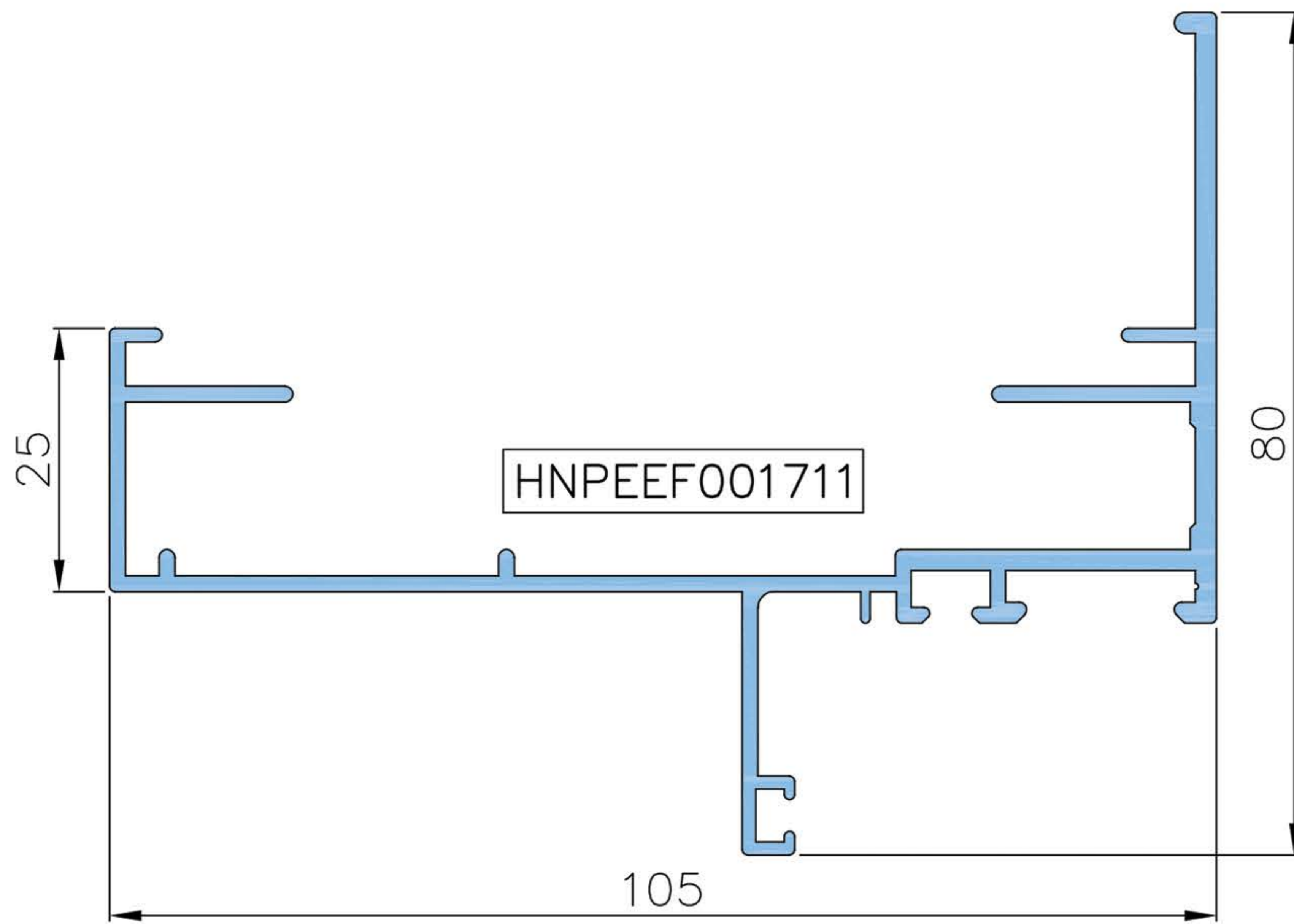


**DOUBLE LEAF WITH  
FIXED GLASS**

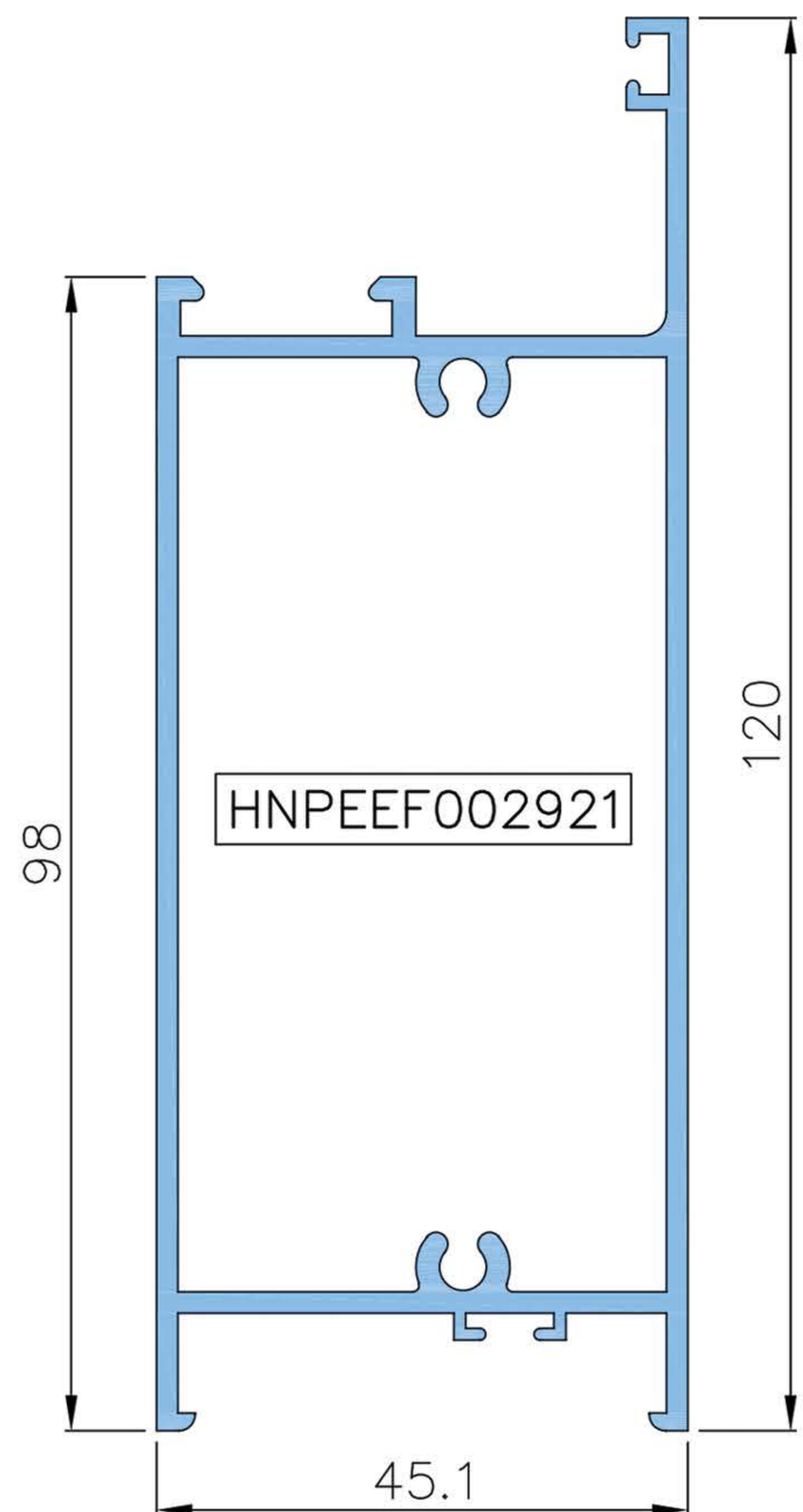
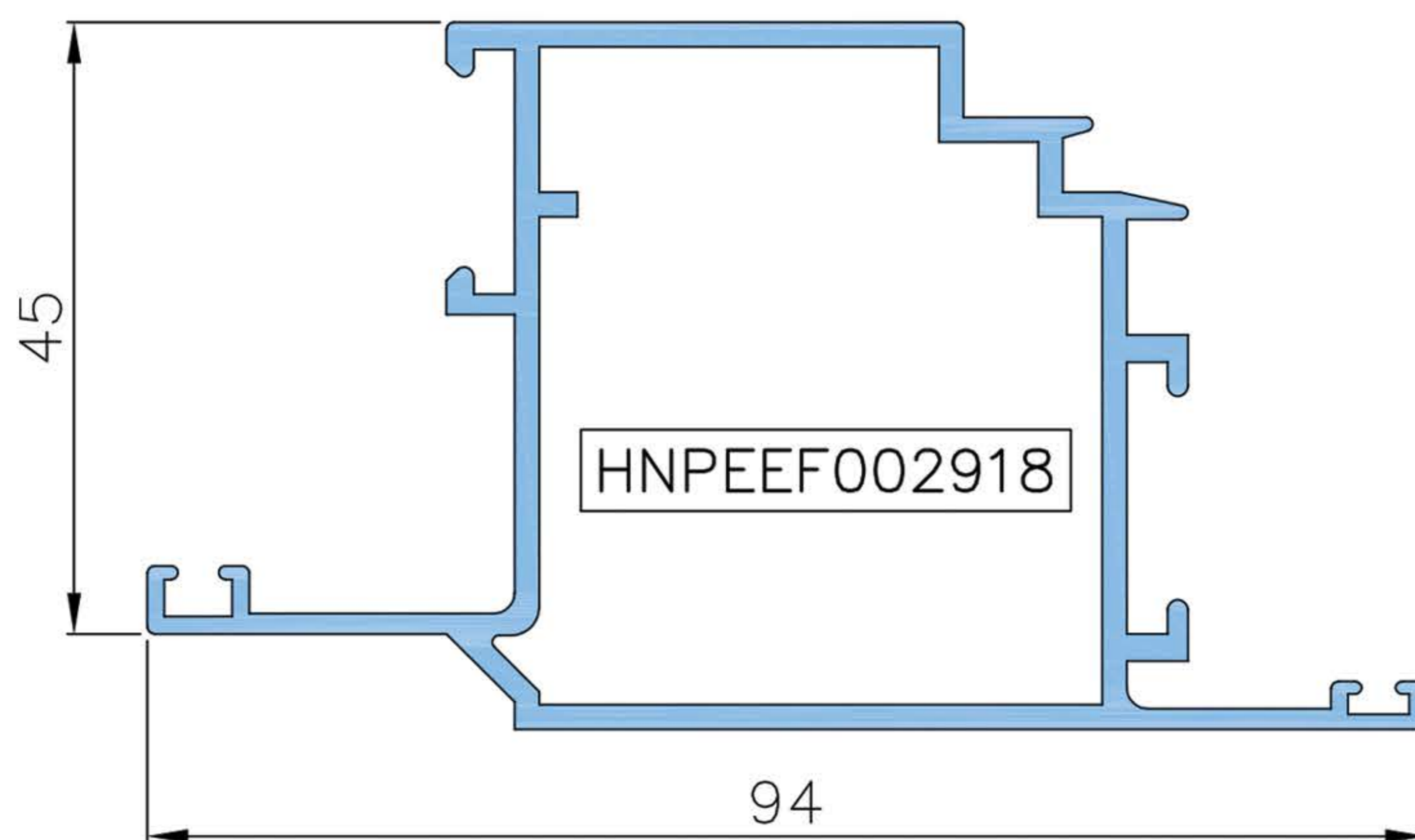
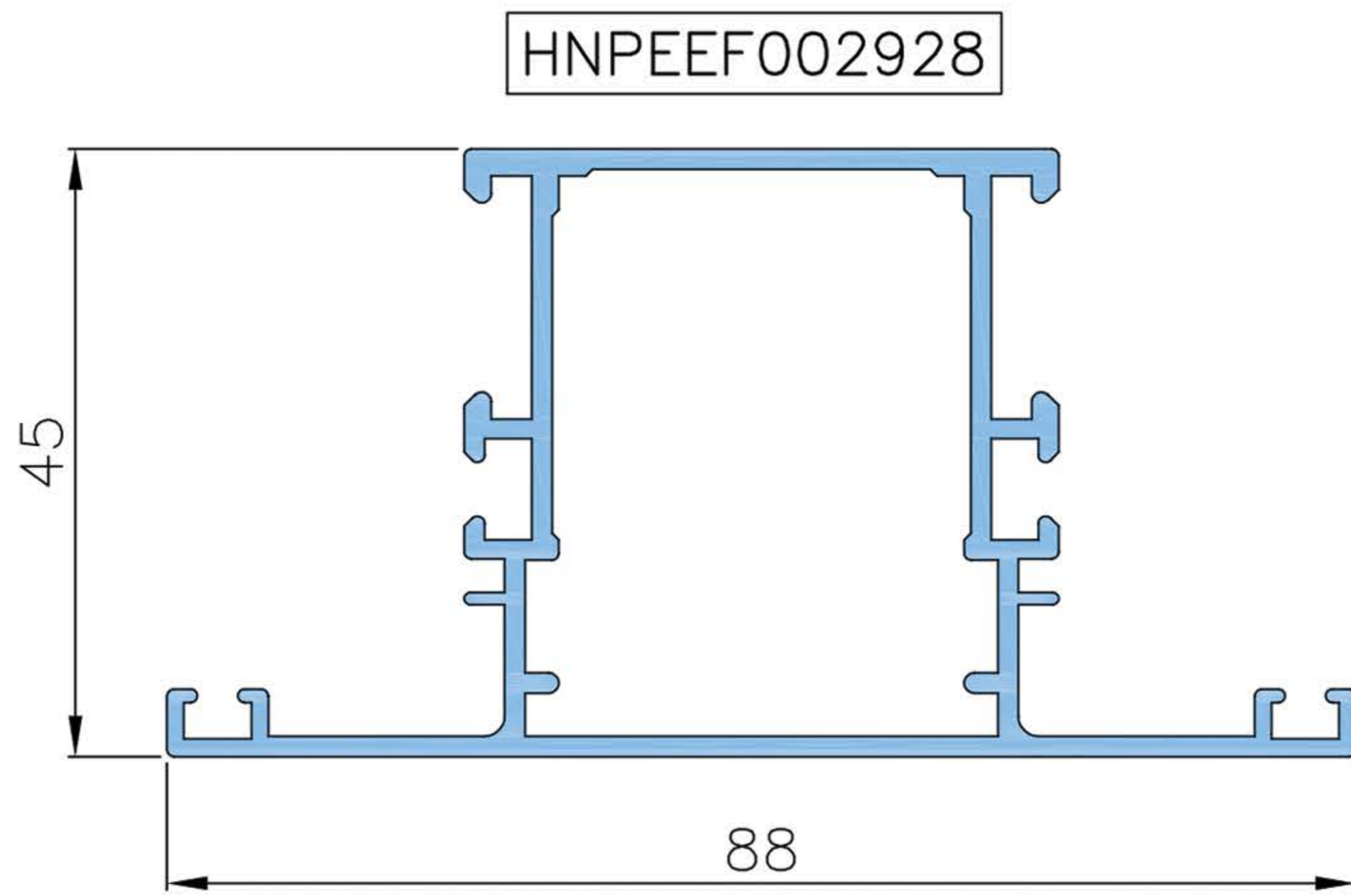
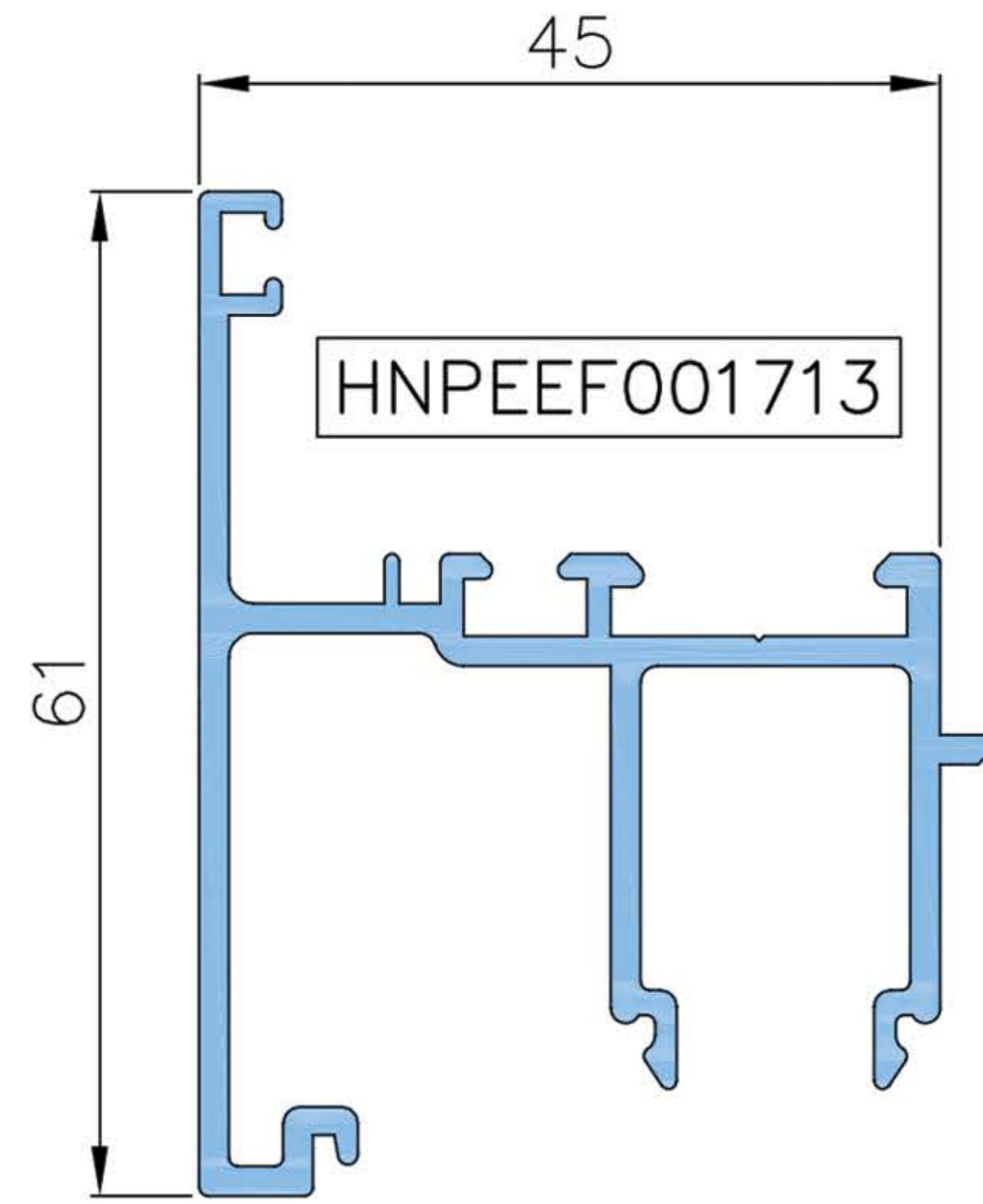
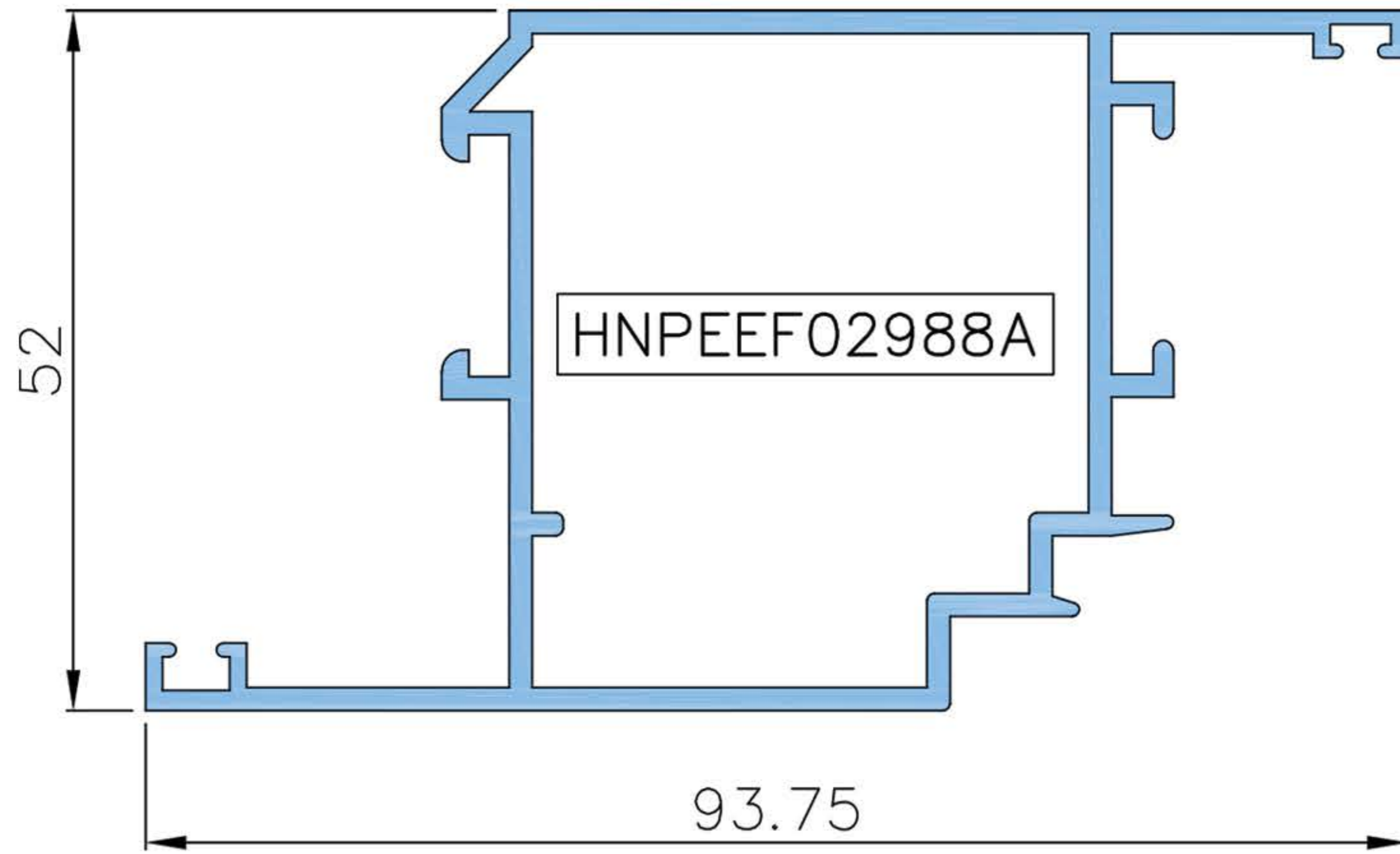


As Prospec Specialties' policy is one of continual progress for the improvement of the company's services to its customers, the company reserves the right to modify the specifications of its products without notice.

45 MM HINGED PROFILES

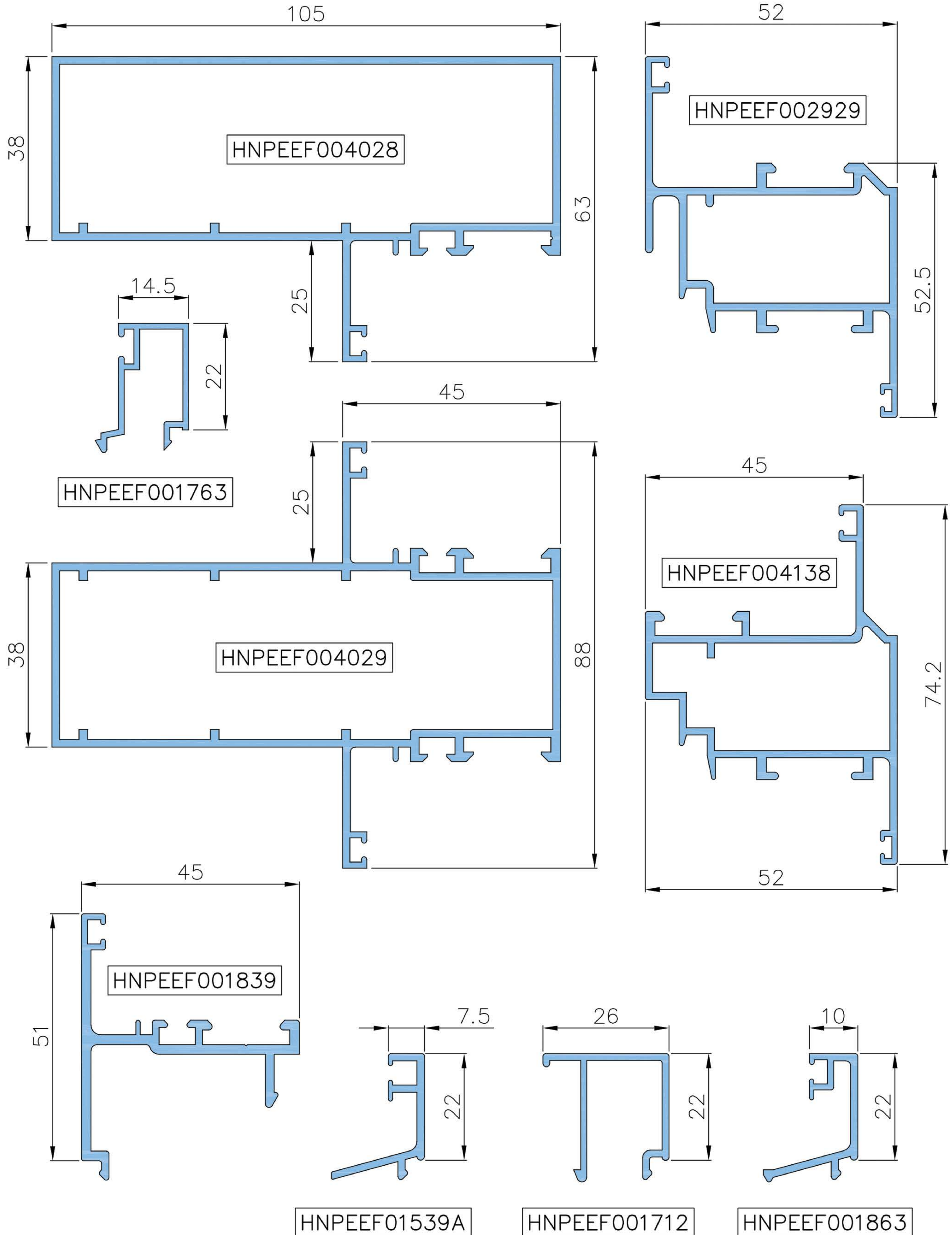


As Prospec Specialties' policy is one of continual progress for the improvement of the company's services to its customers, the company reserves the right to modify the specifications of its products without notice.

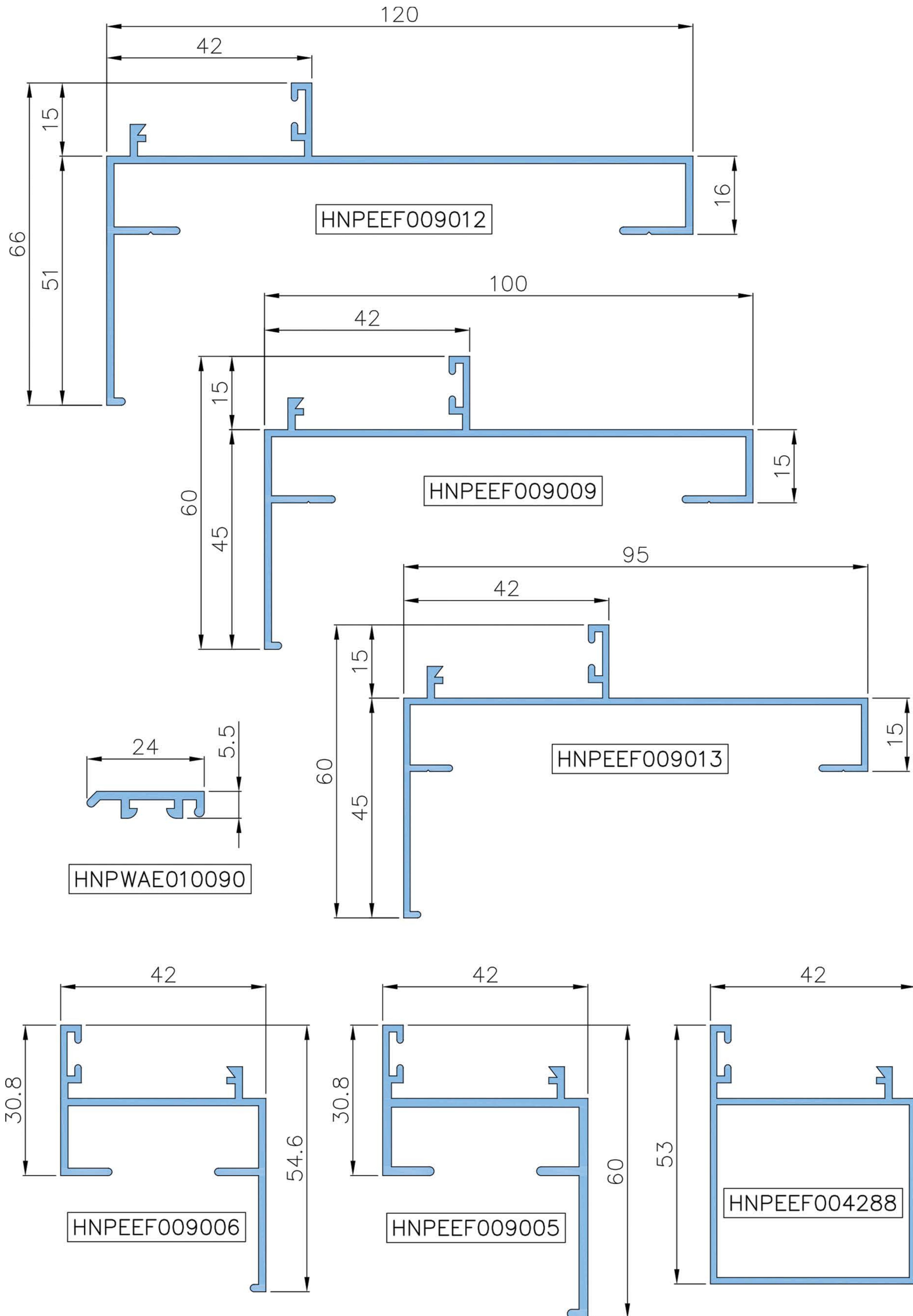




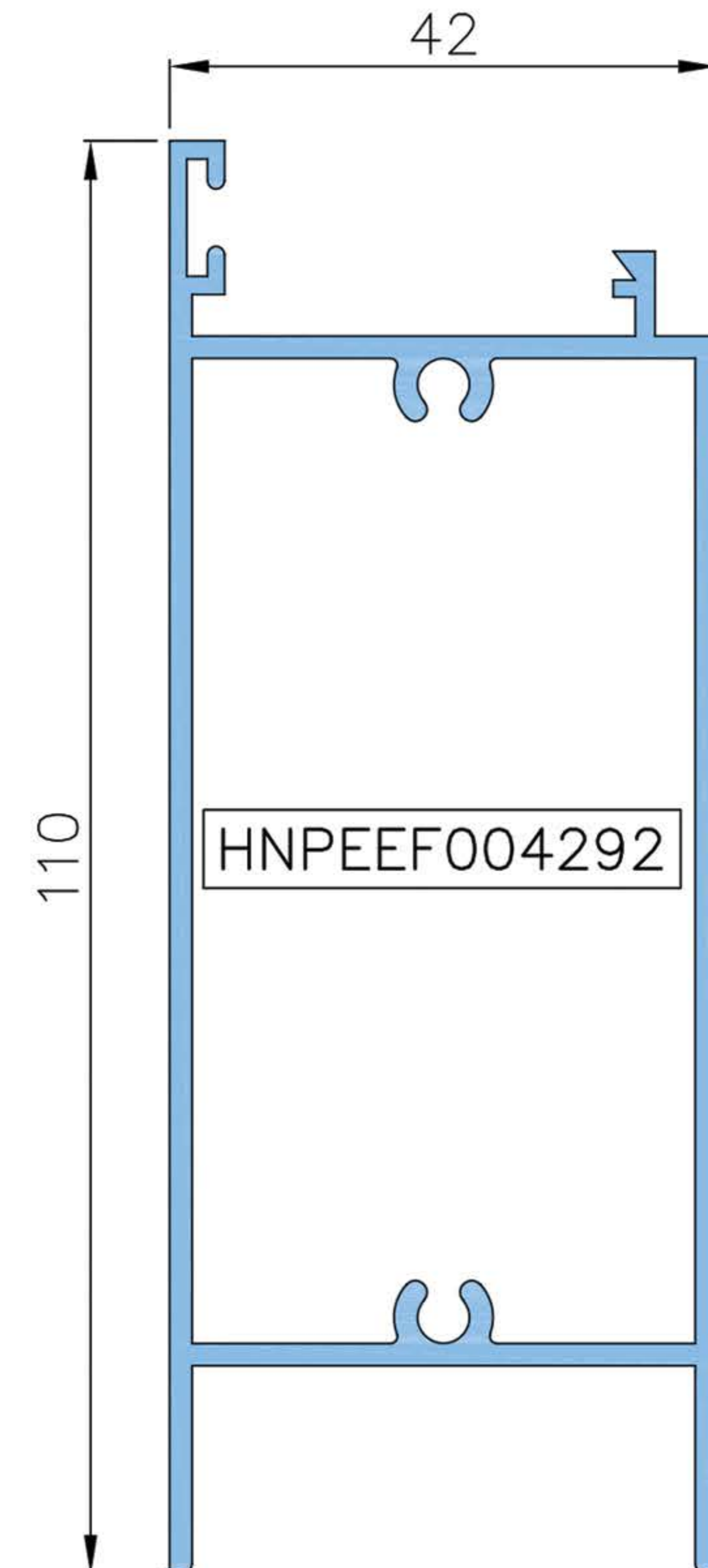
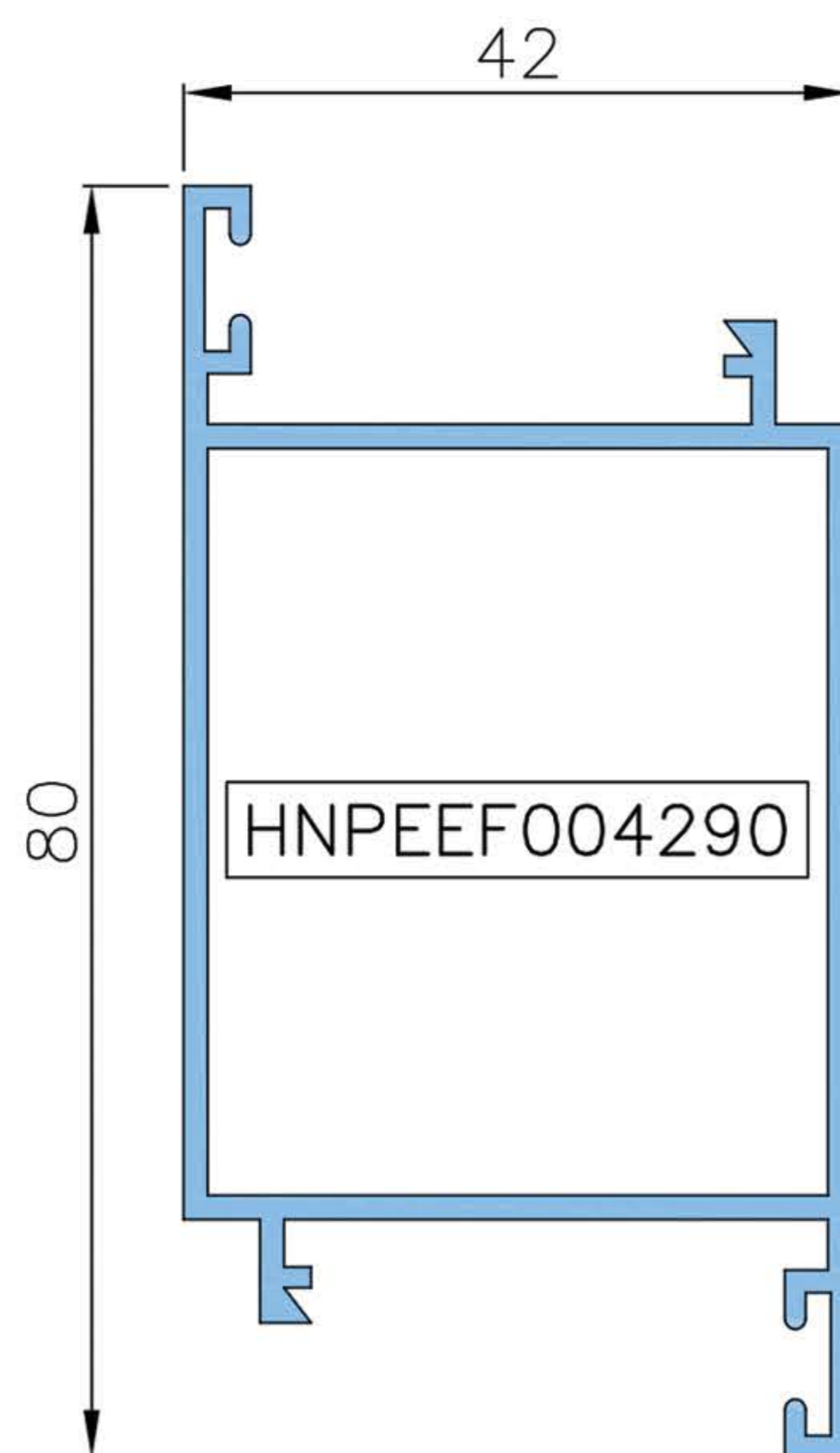
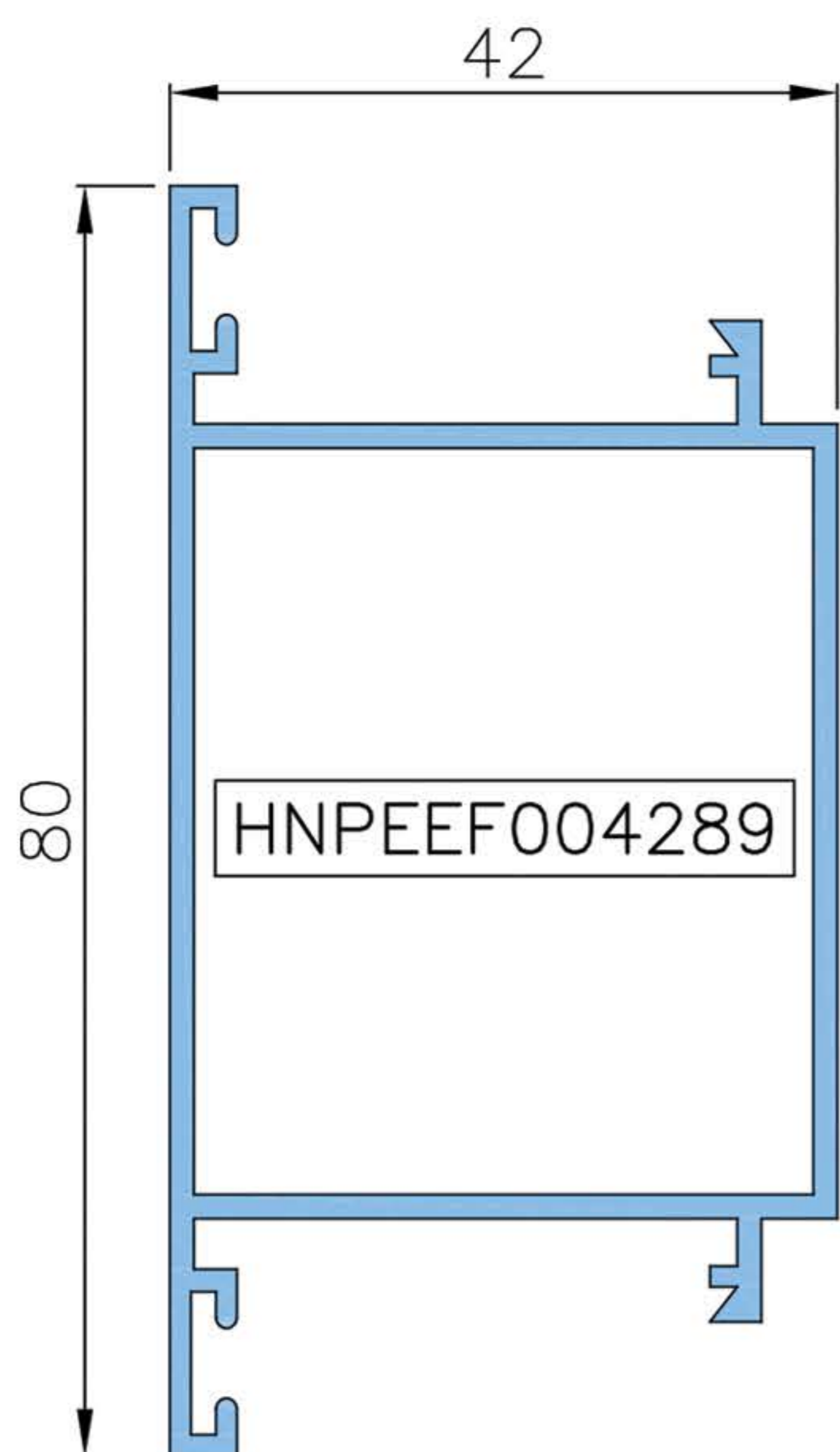
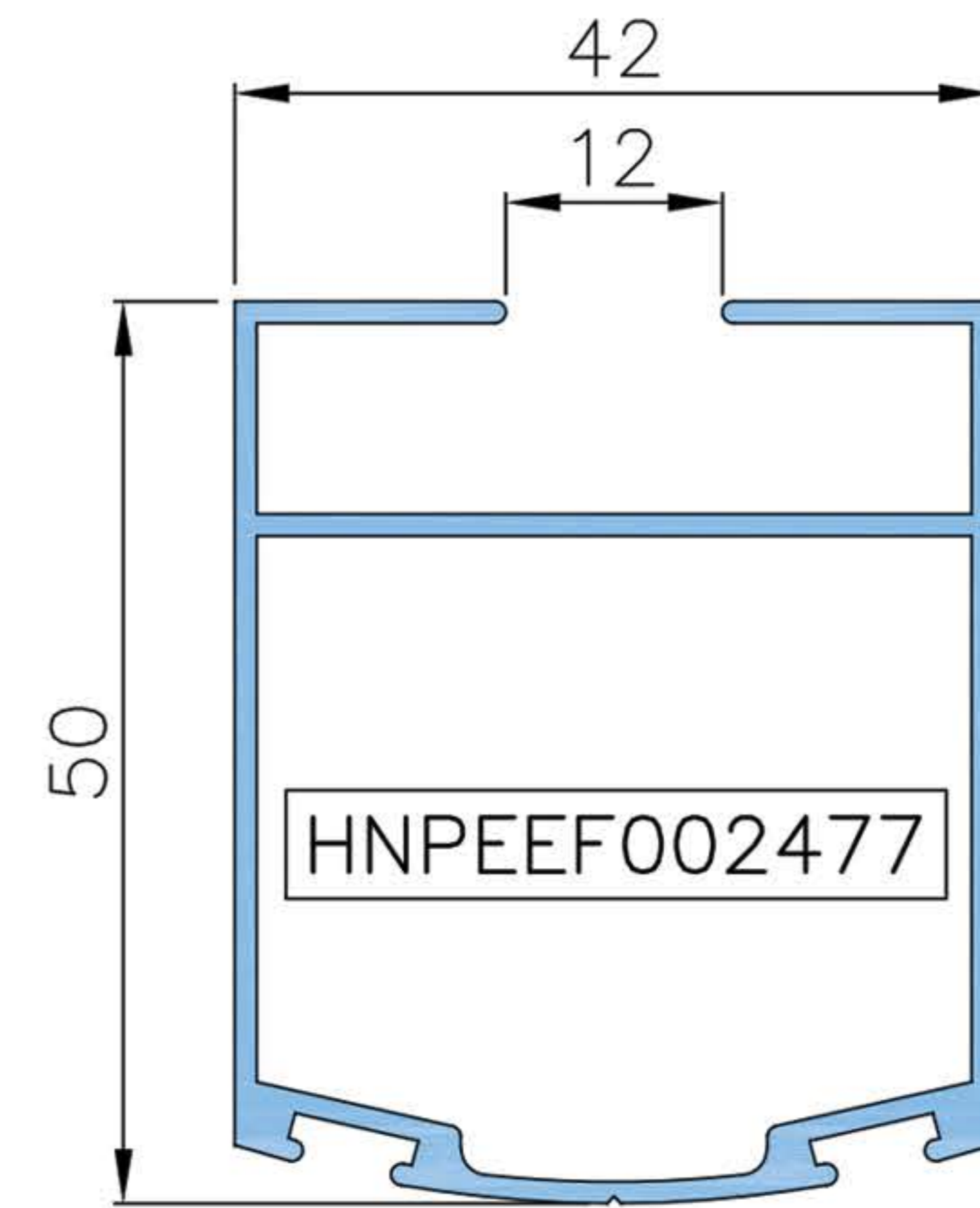
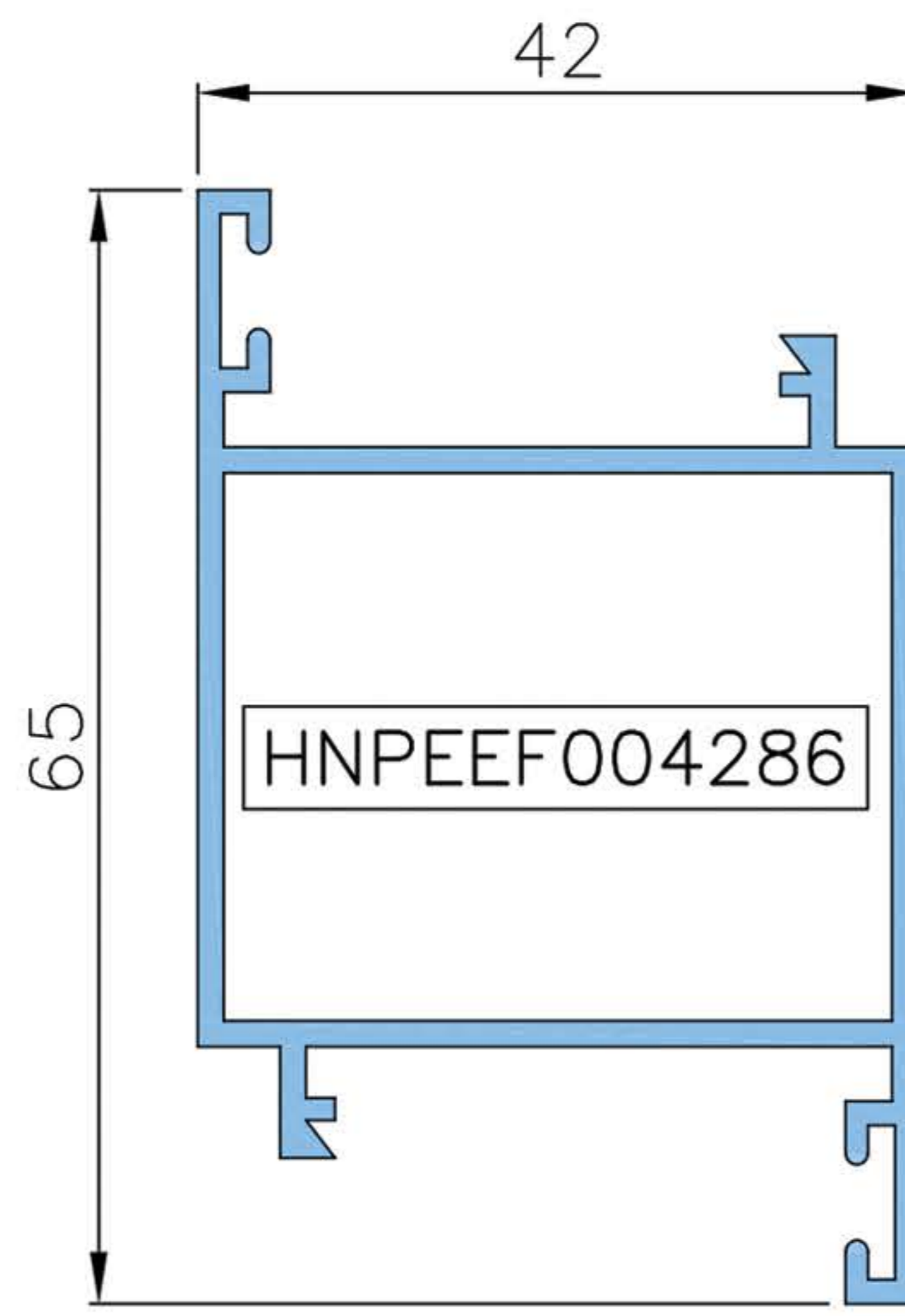
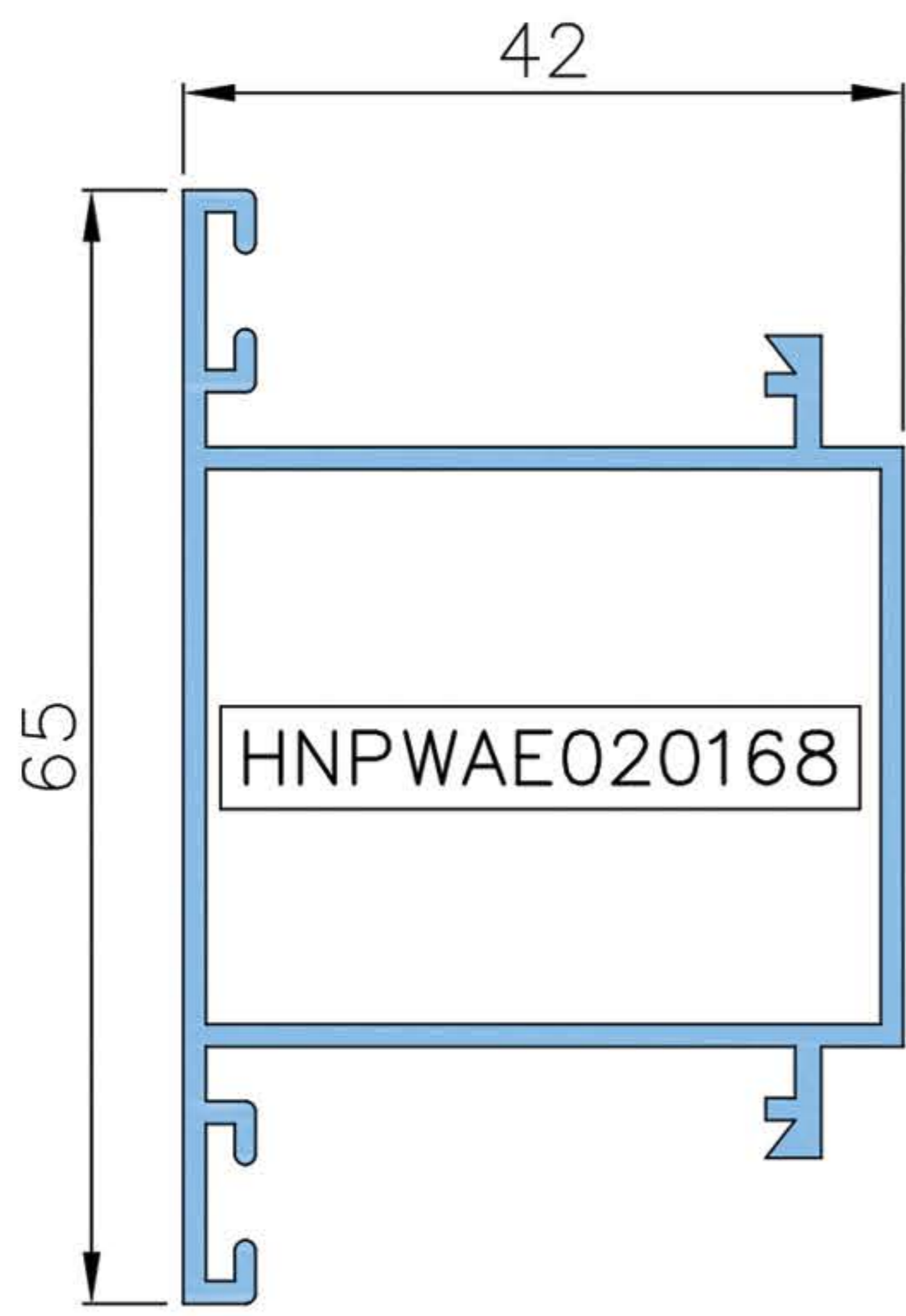
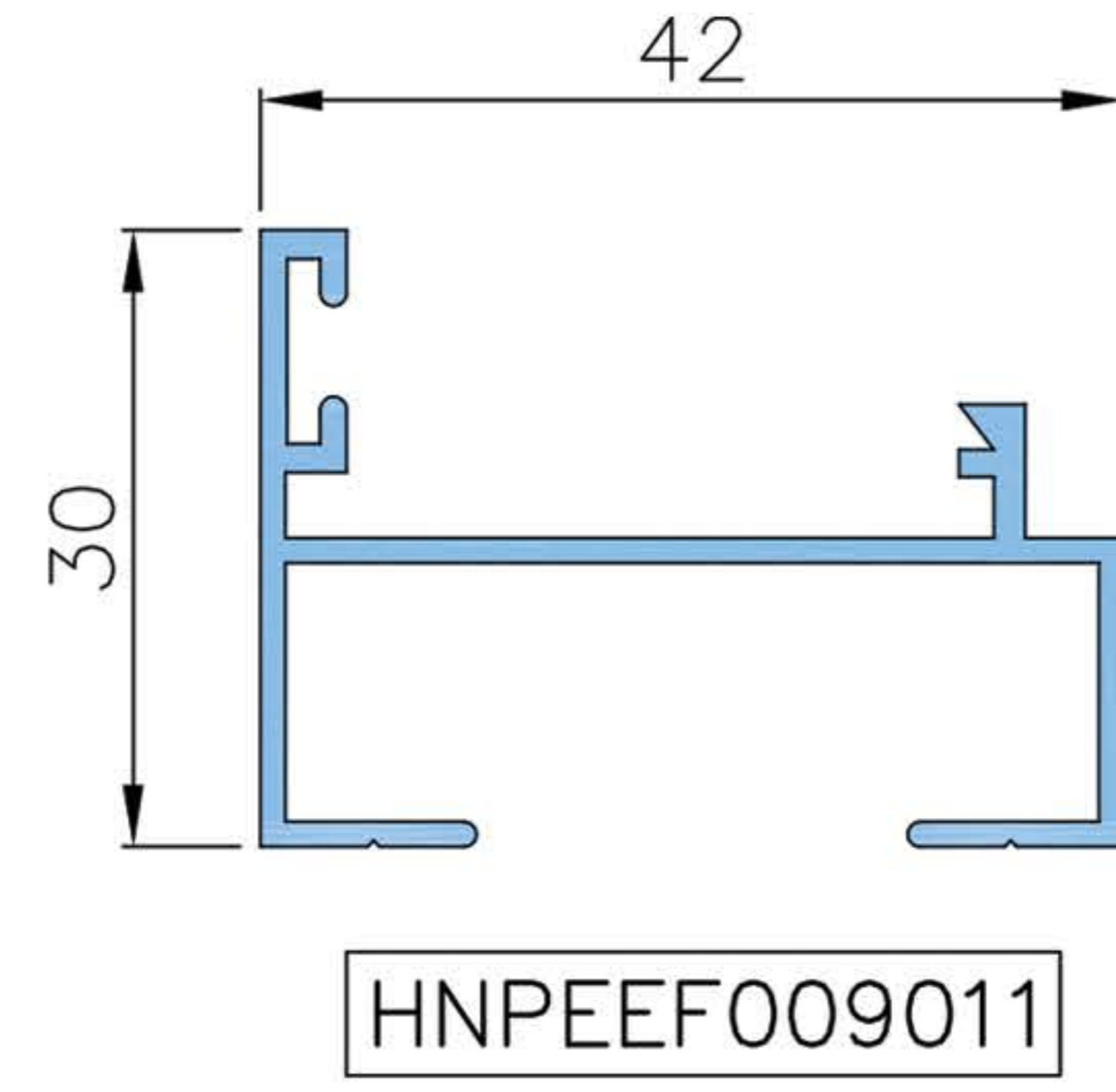
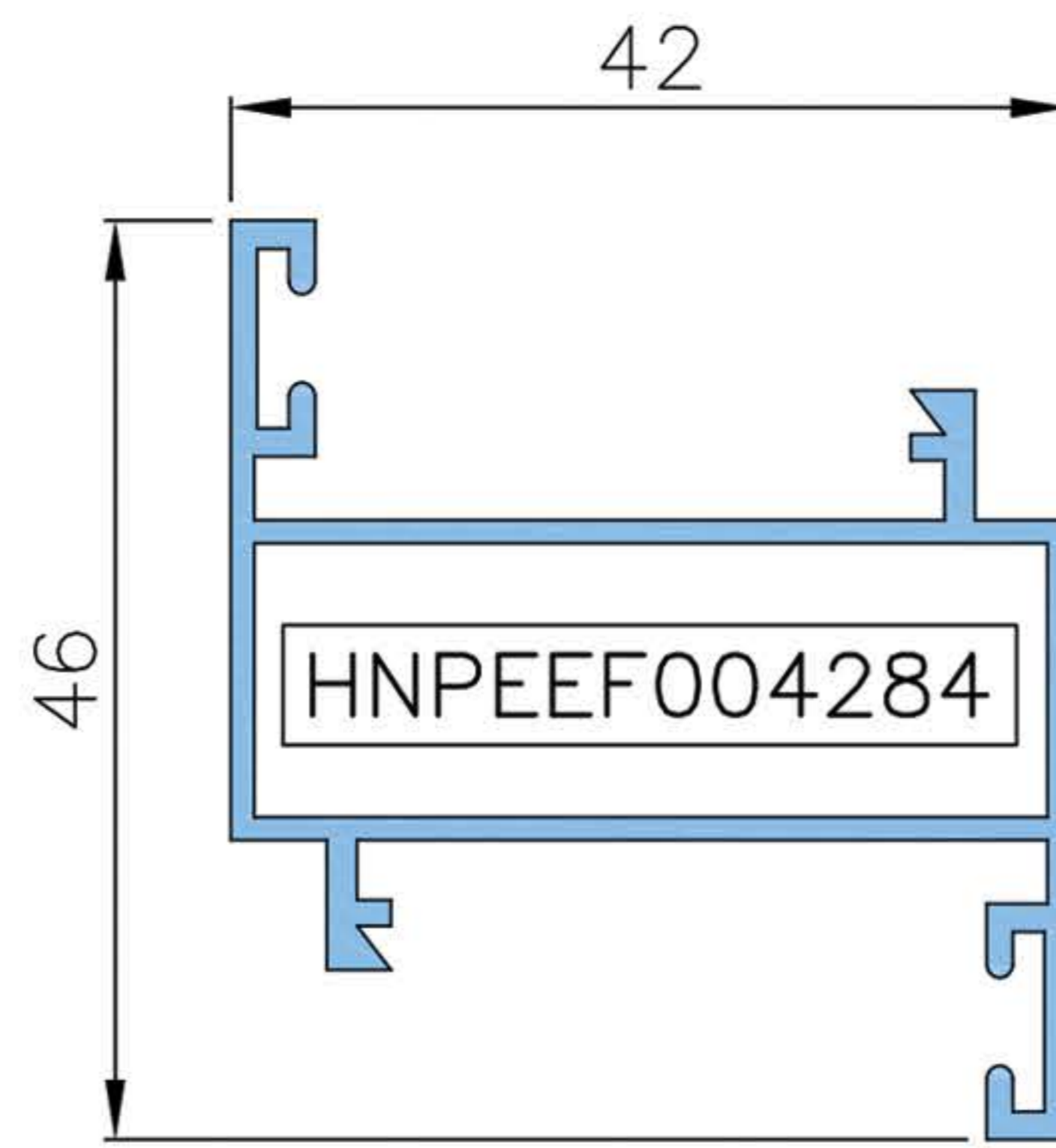
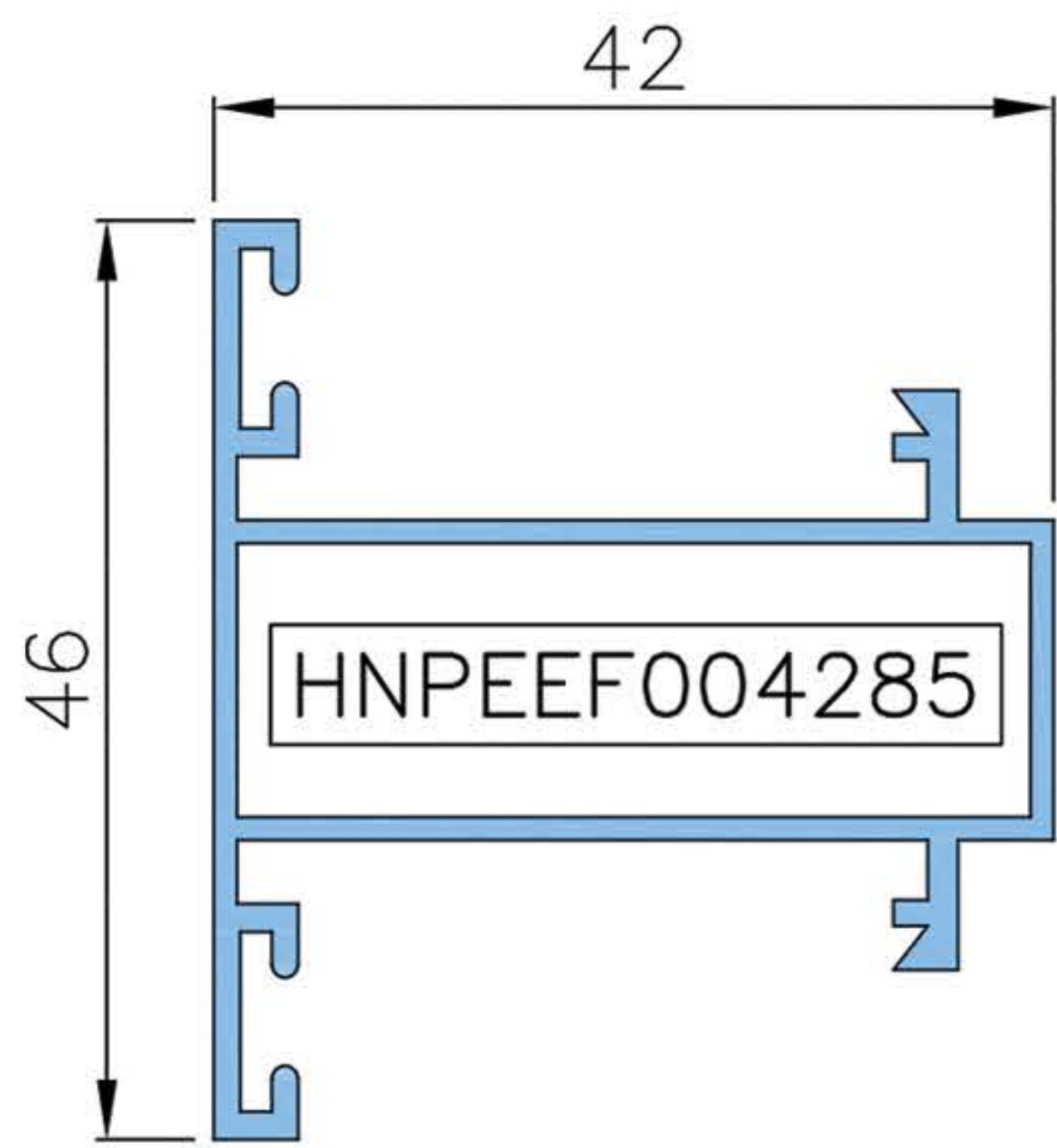
45 MM HINGED PROFILES

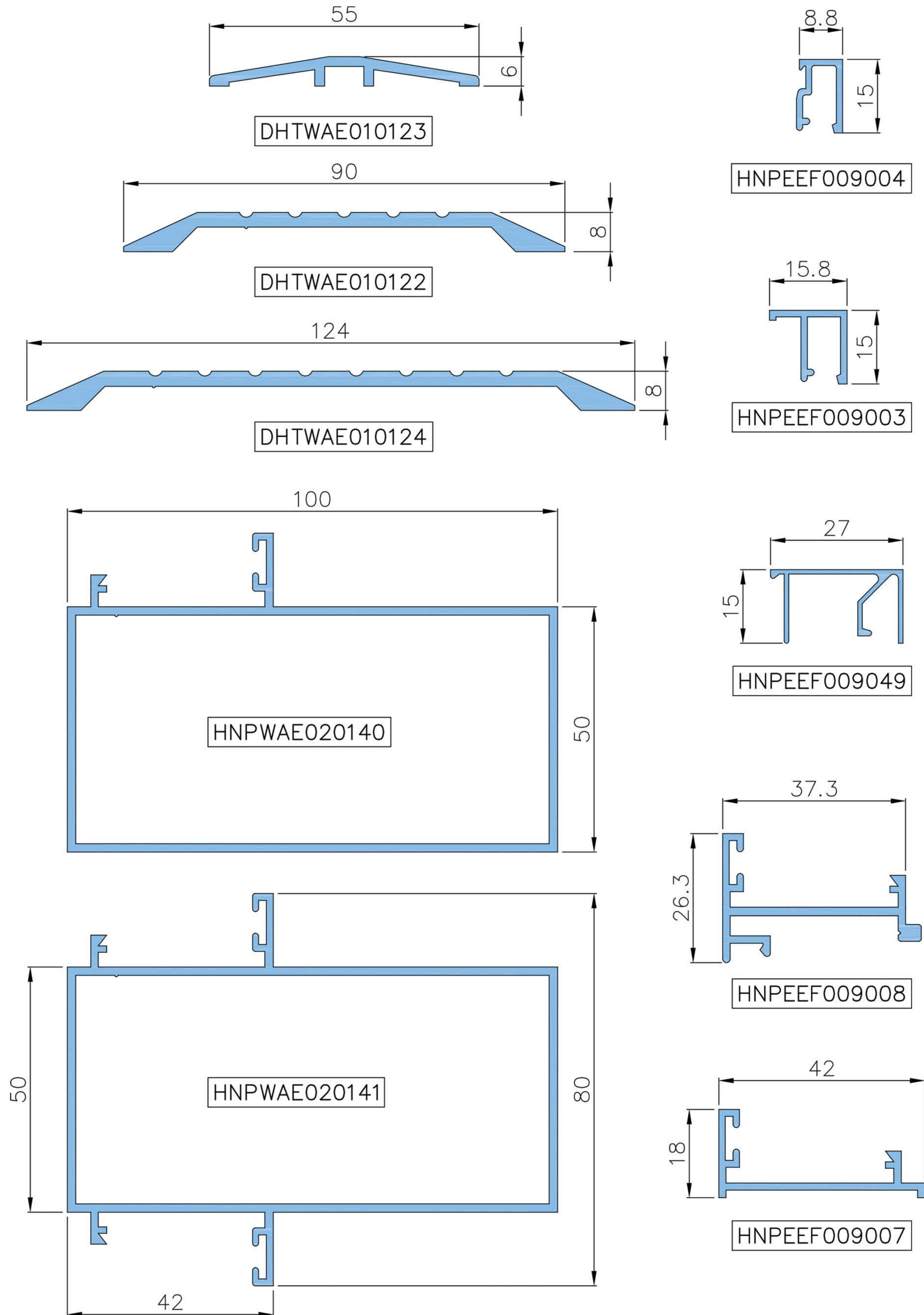


As Prospec Specialties' policy is one of continual progress for the improvement of the company's services to its customers, the company reserves the right to modify the specifications of its products without notice.

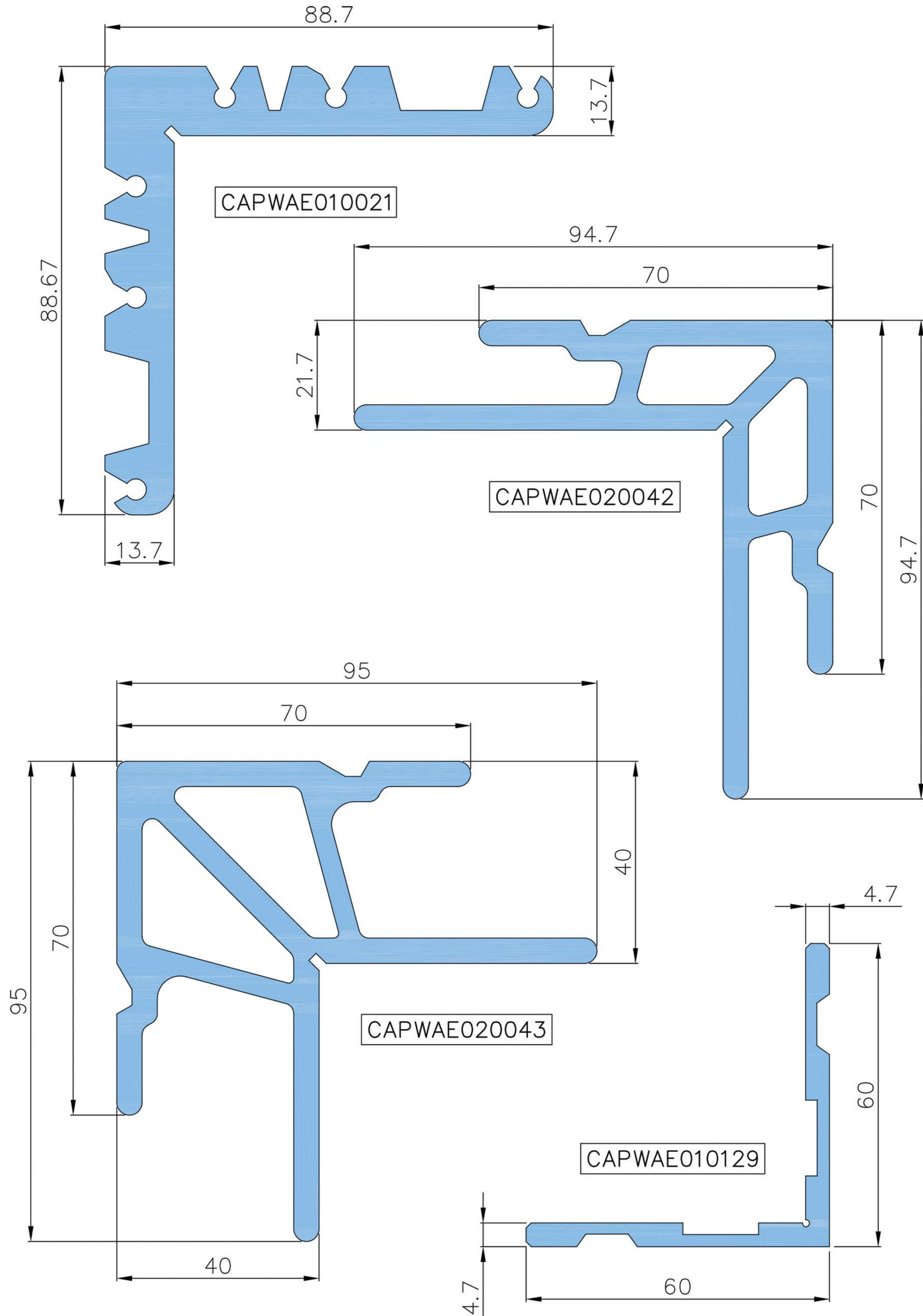


As Prospec Specialties' policy is one of continual progress for the improvement of the company's services to its customers, the company reserves the right to modify the specifications of its products without notice.
























As Prospec Specialties' policy is one of continual progress for the improvement of the company's services to its customers, the company reserves the right to modify the specifications of its products without notice.



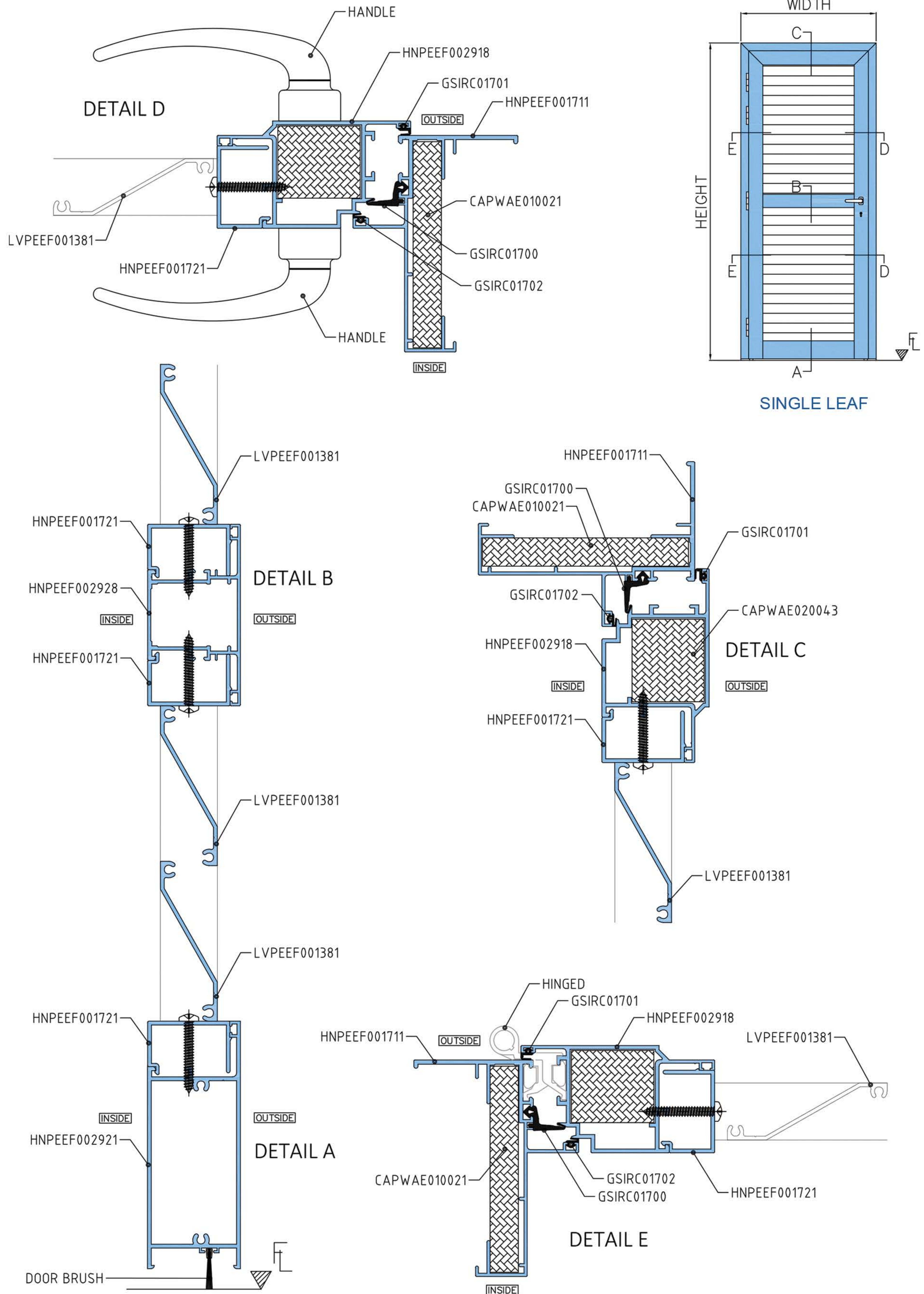
## HINGED GASKETS AND ACCESSORIES

SHAPE	CODE	DESCRIPTION	SHAPE	CODE	DESCRIPTION
	GRIRC02216	INNER GLASS FILLER			HINGED
	GRIRC02215	OUTER GLASS FILLER			HEAVY DUTY HINGED
	GRIRC01701	INSIDE			DOOR HANDLE
	GRIRC01702	OUTSIDE			WINDOW HANDLE
	GRIRC01700	CENTRAL GASKET			CYLINDER
		RUBBER PLUG FOR MD			PUSH HANDLE BAR
					LOCK
					LIMITER ARM
					FINGER CATCH
					STAY ARM
					CLOSING KIT WITH WING SUPPORT
					DOOR STOPPER
					LOCKING PIN SET
					BOTTOM DOOR BRUSH

# LOUVERS



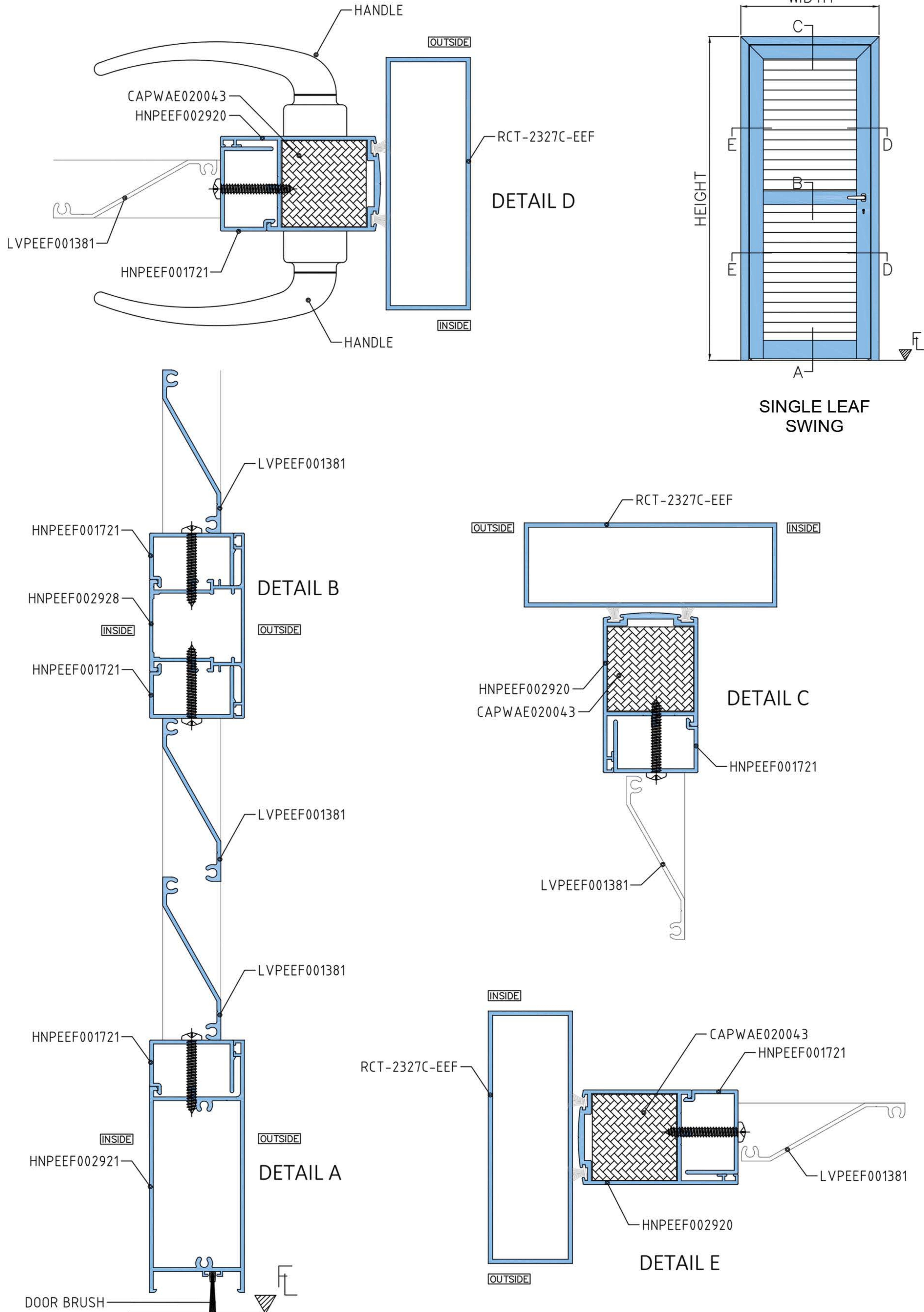
**LOUVER DOOR**



As Prospec Specialties' policy is one of continual progress for the improvement of the company's services to its customers, the company reserves the right to modify the specifications of its products without notice.

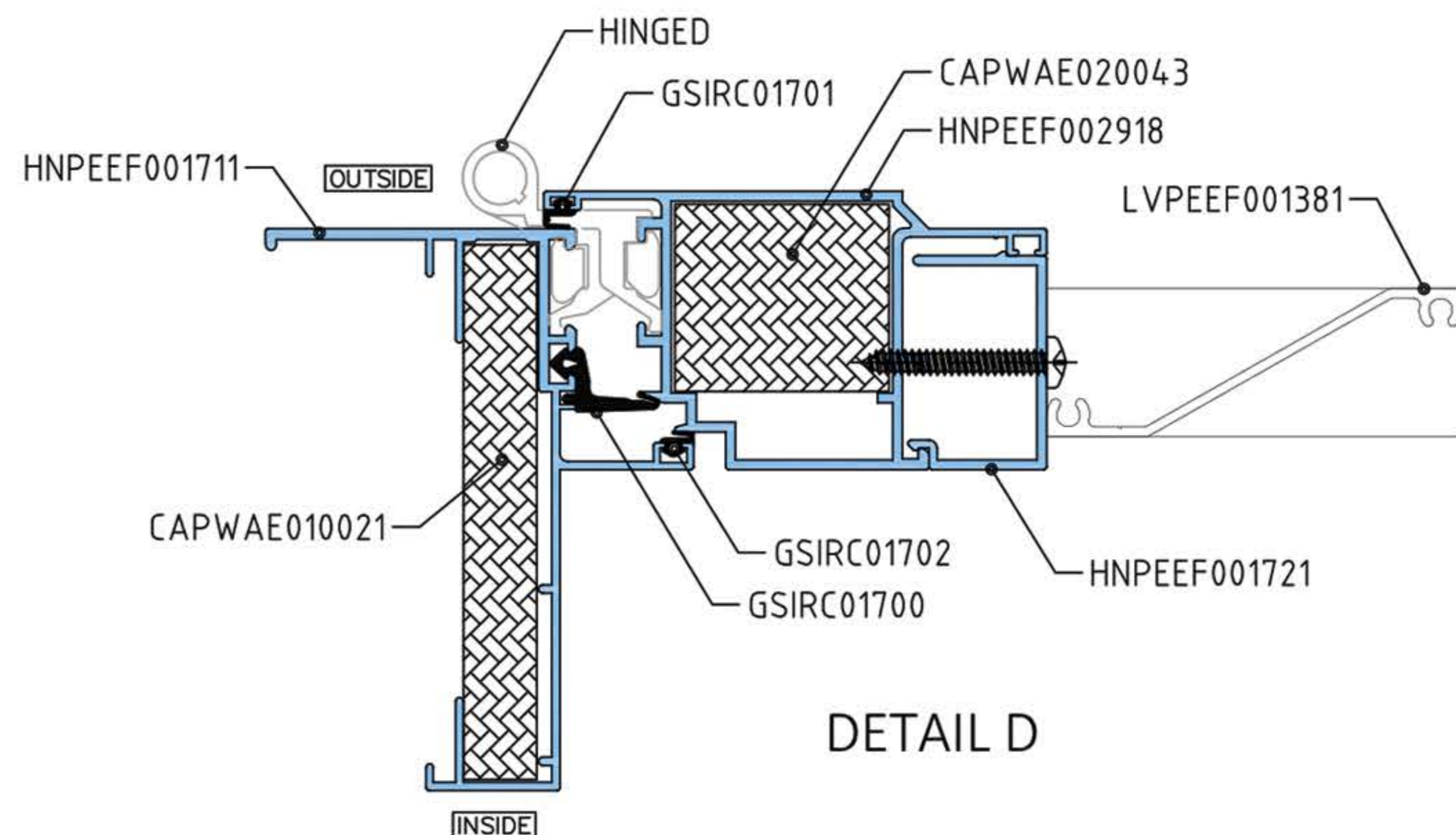
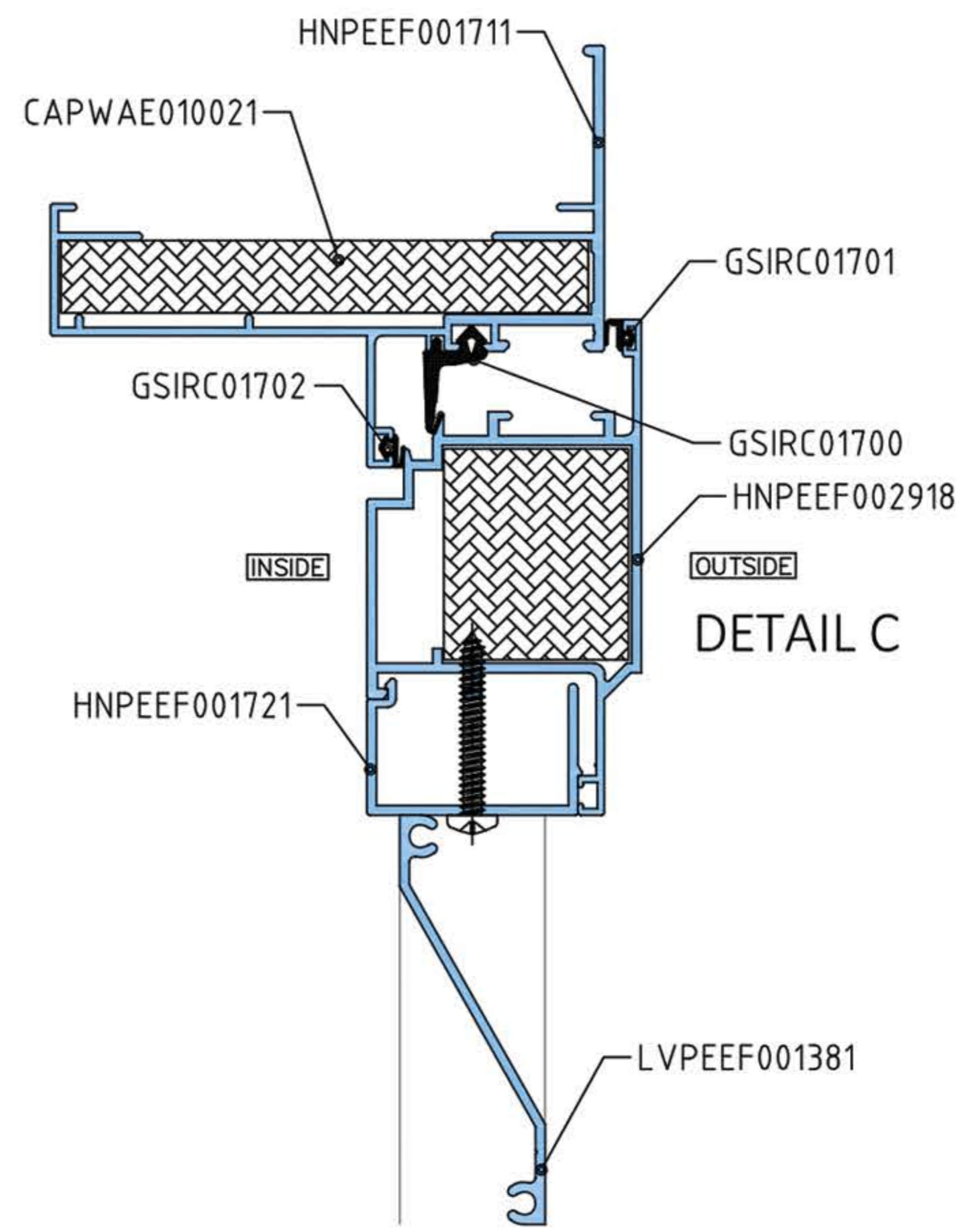
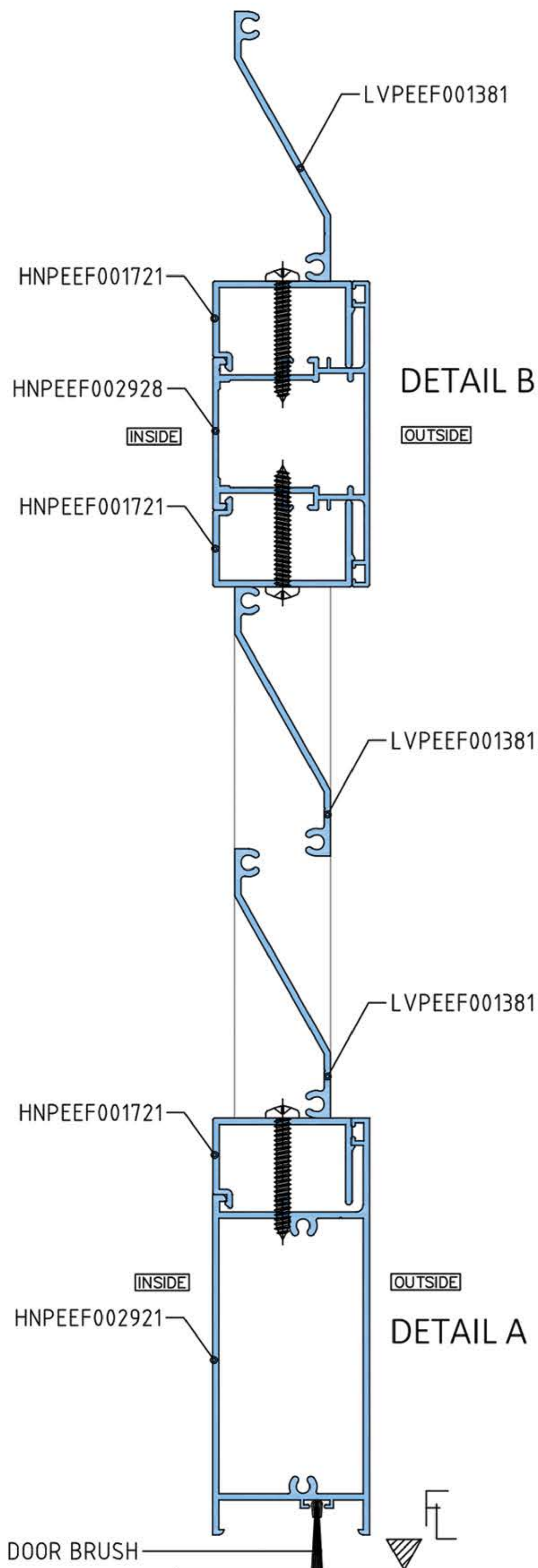
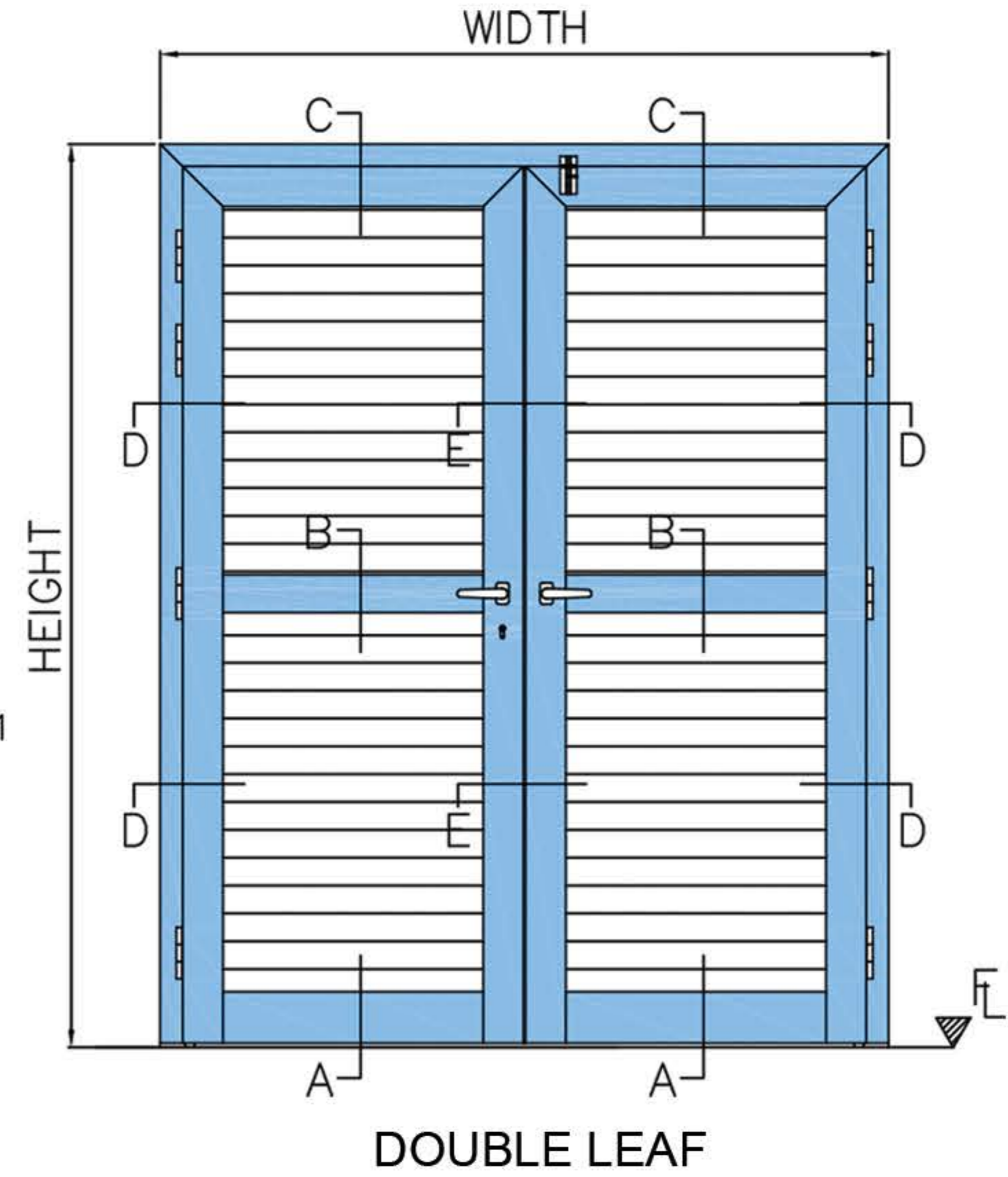
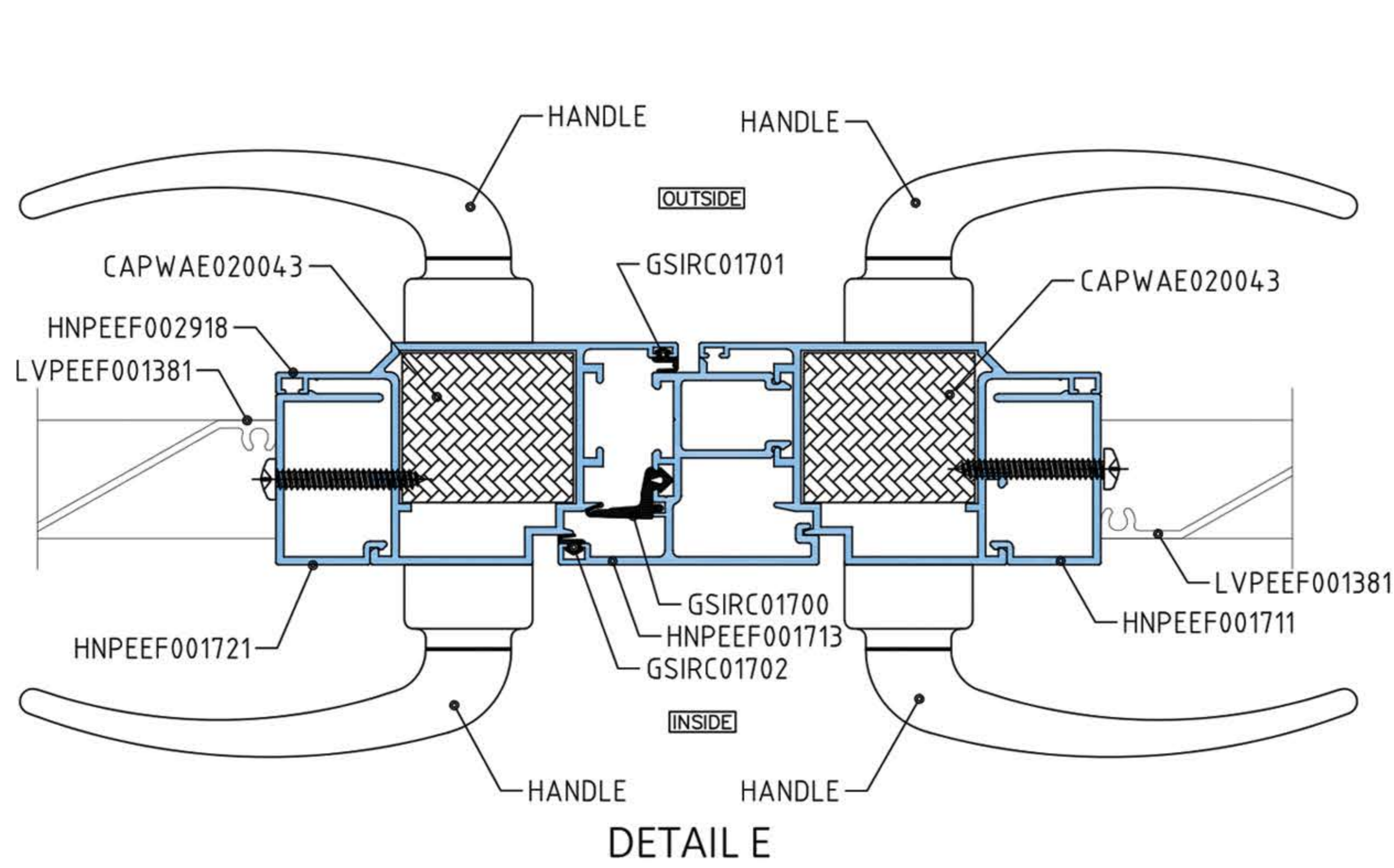


**LOUVER DOOR**

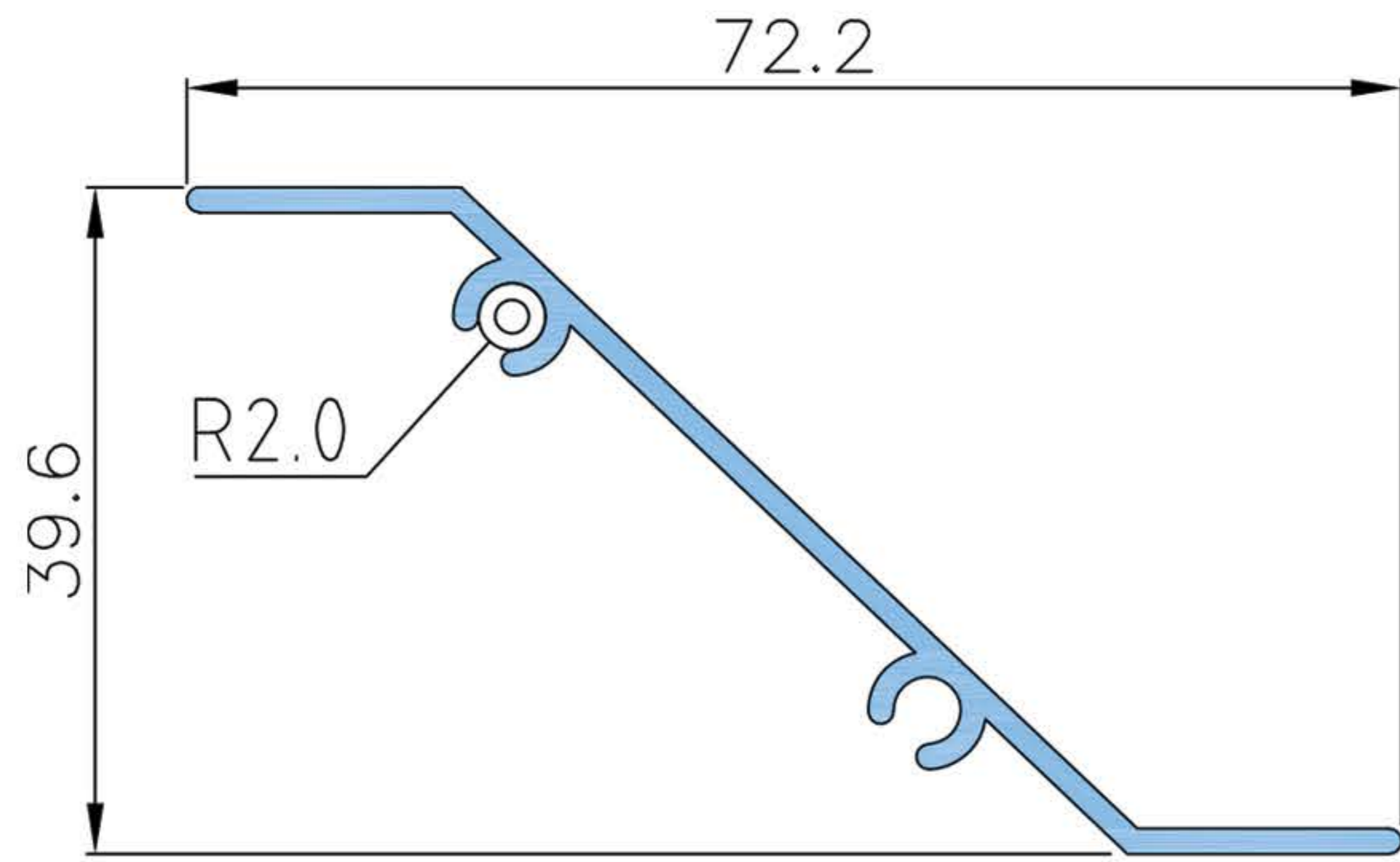


As Prospec Specialties' policy is one of continual progress for the improvement of the company's services to its customers, the company reserves the right to modify the specifications of its products without notice.

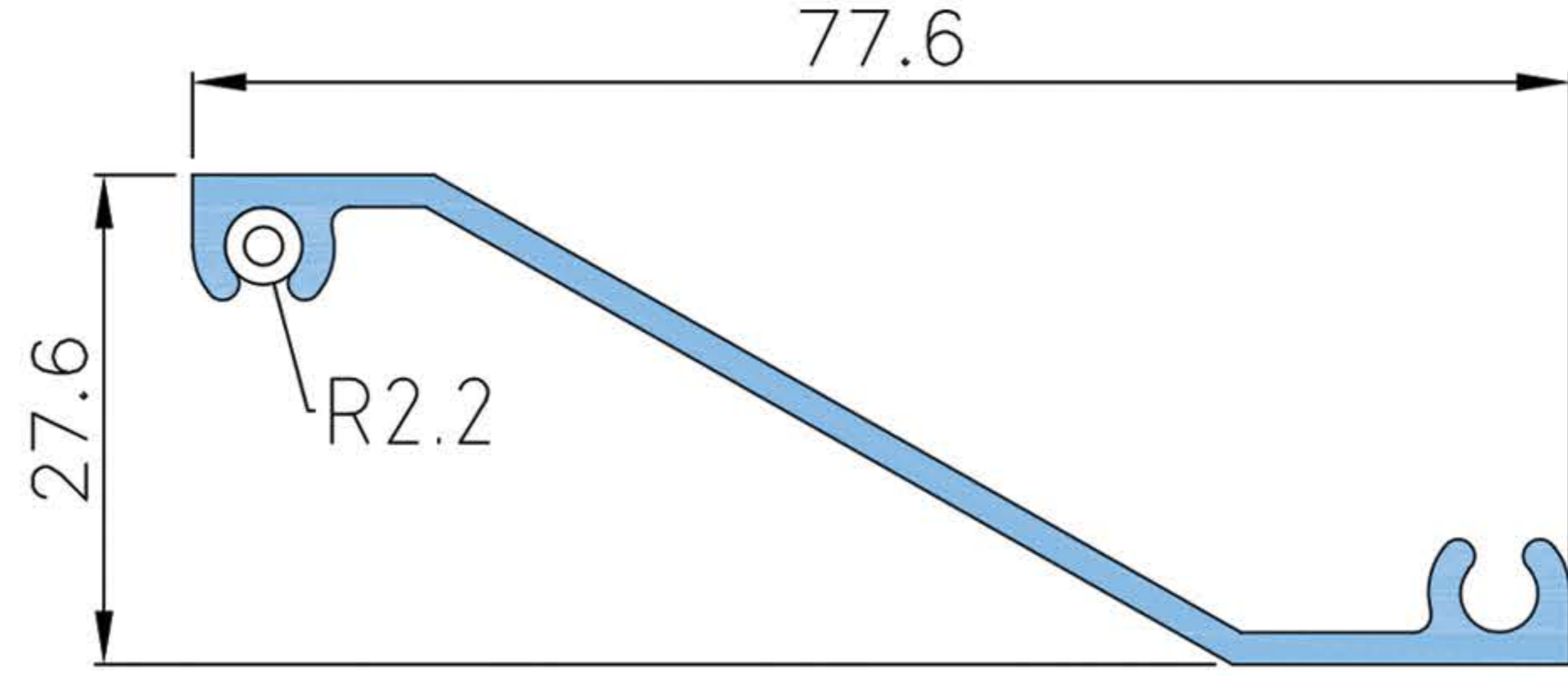
**LOUVER DOOR**



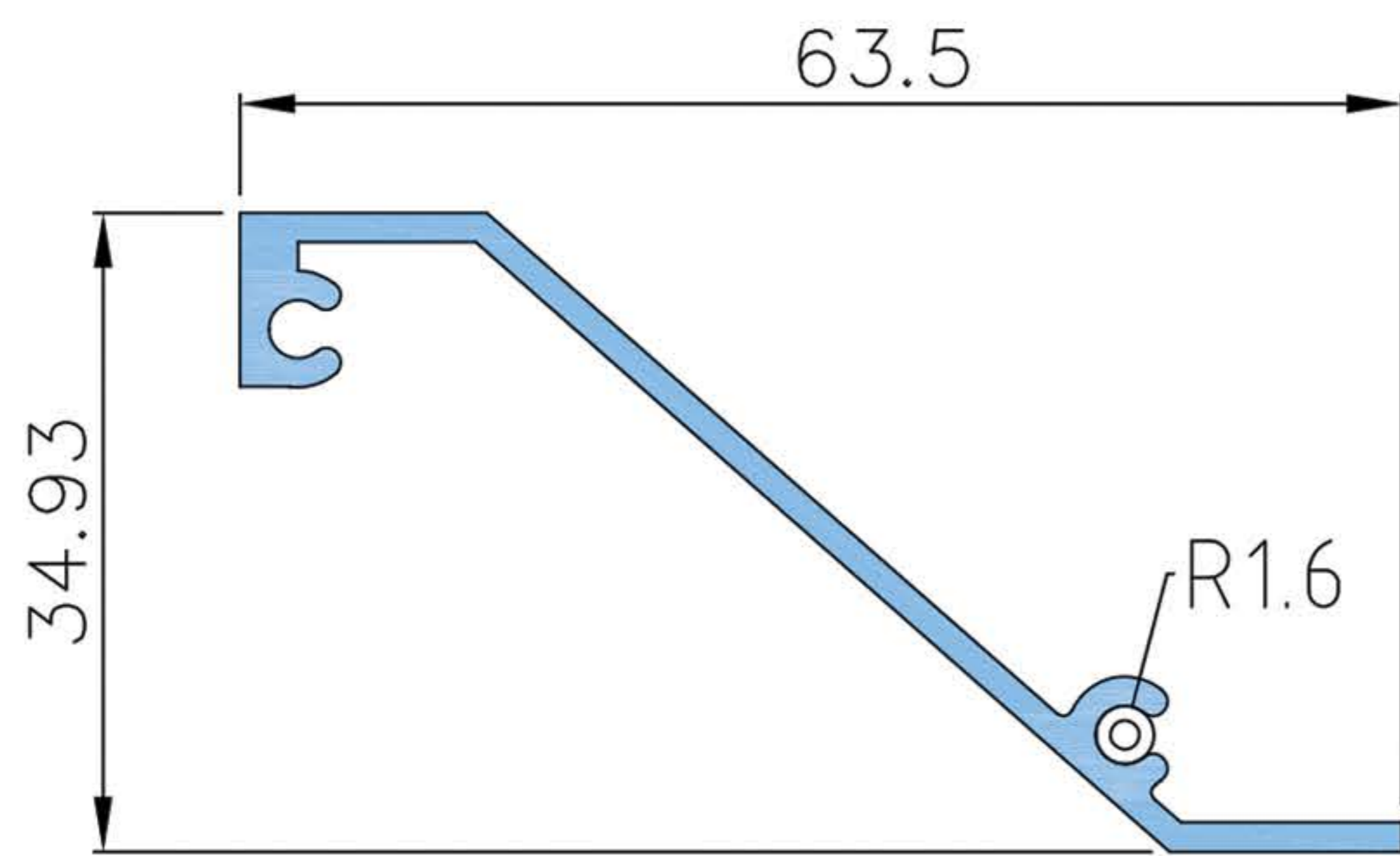
As Prospec Specialties' policy is one of continual progress for the improvement of the company's services to its customers, the company reserves the right to modify the specifications of its products without notice.



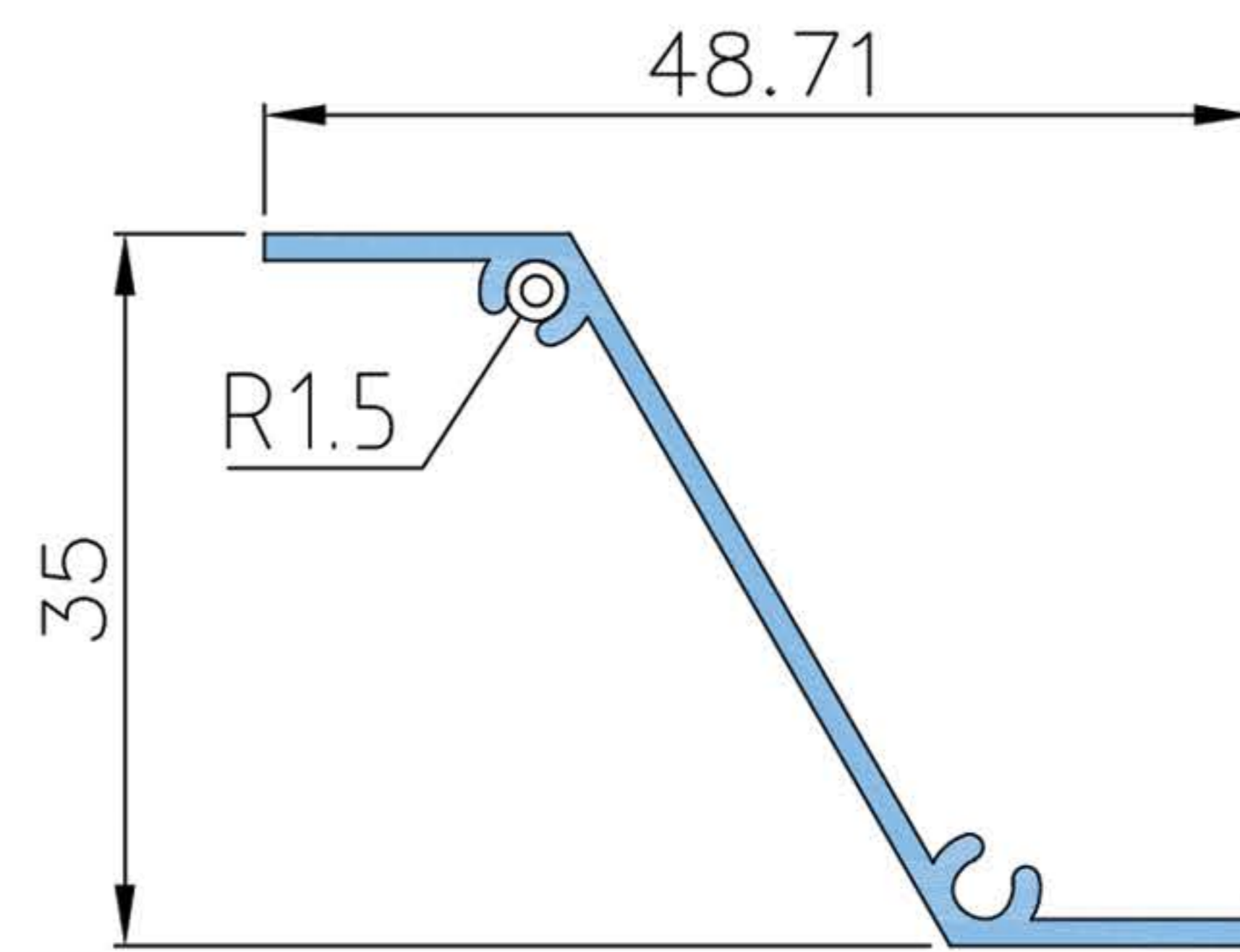
LVPWAE010135



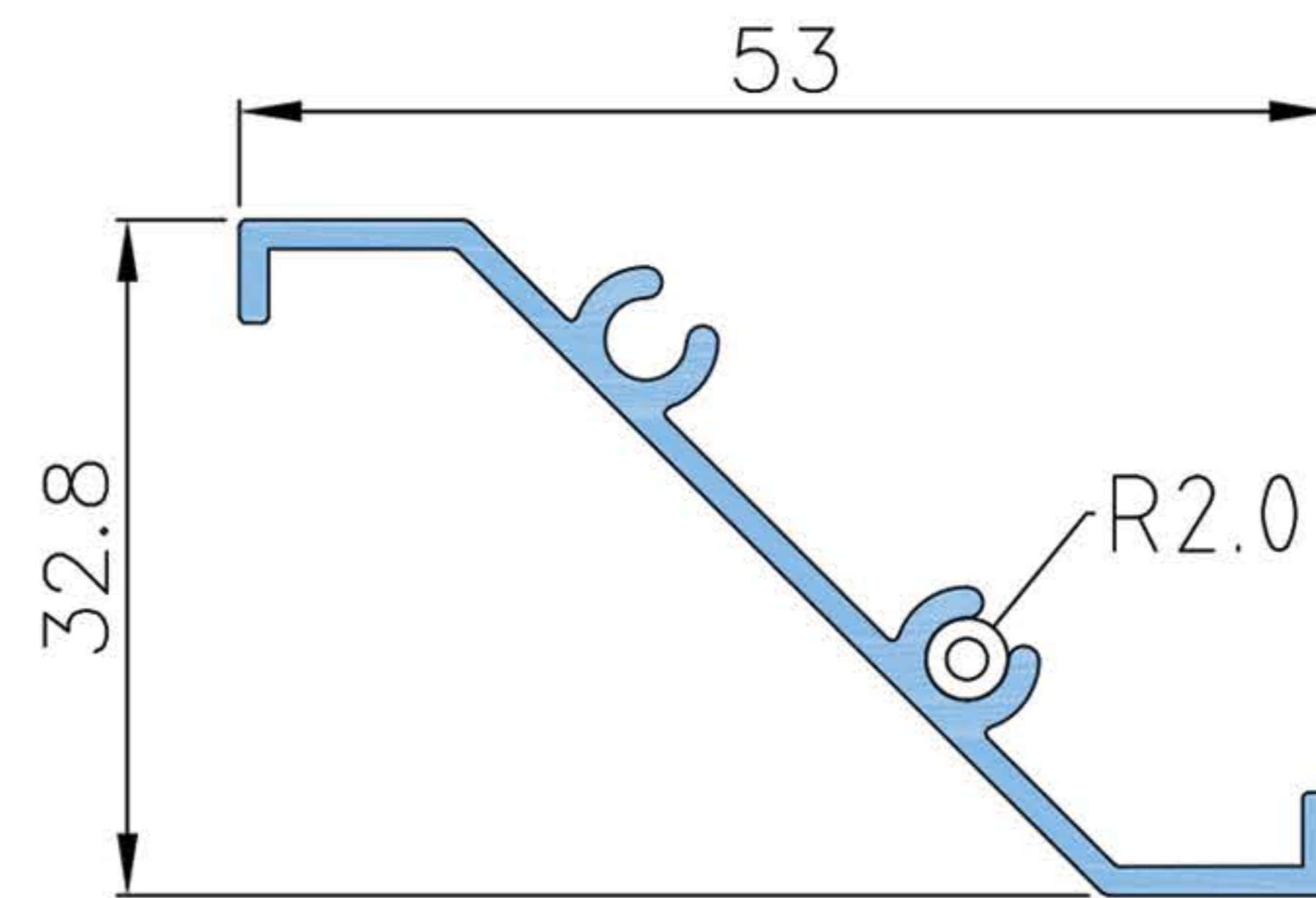
LVPEEF001381



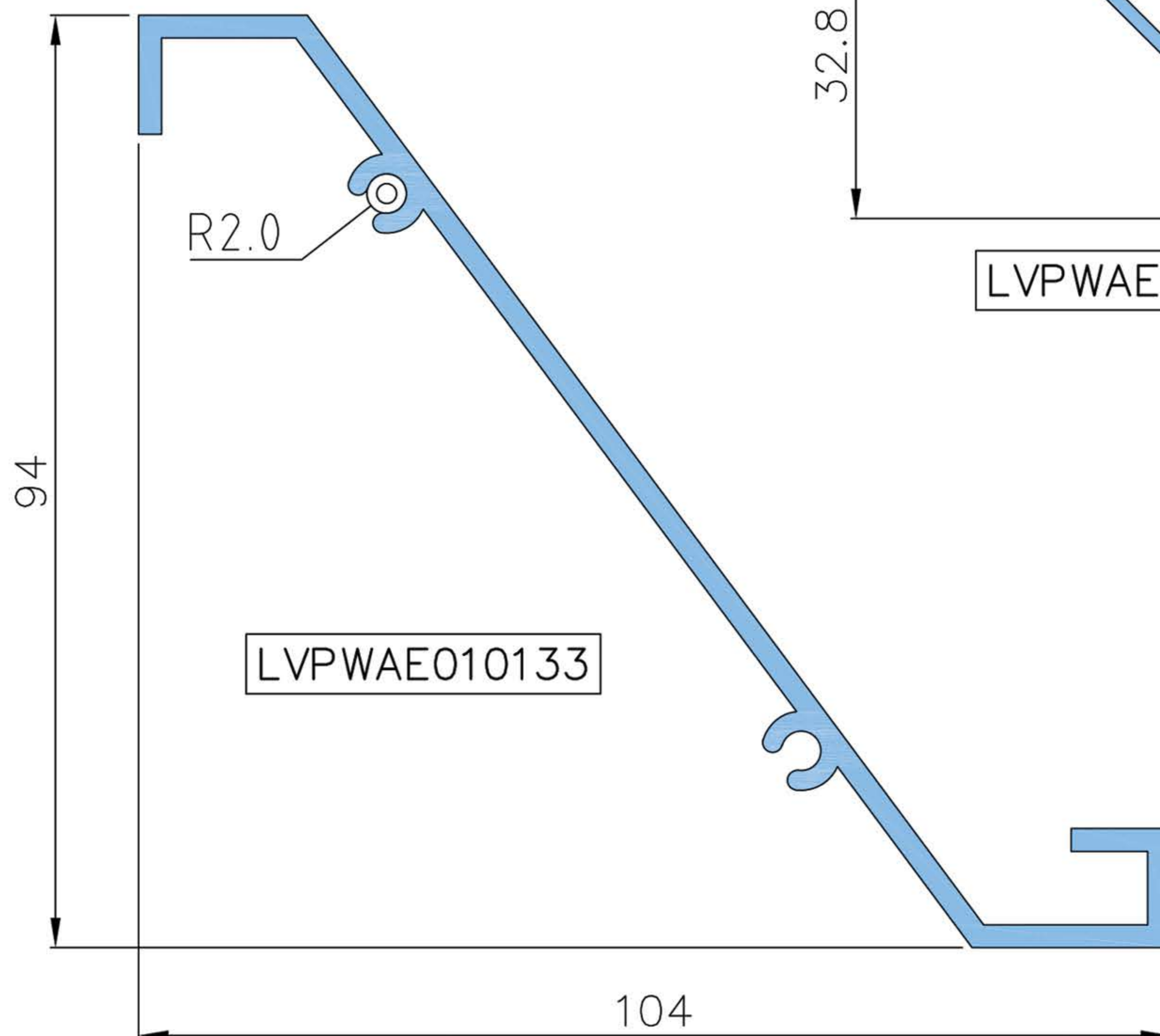
LVPEEF000148



LVPEEF001586

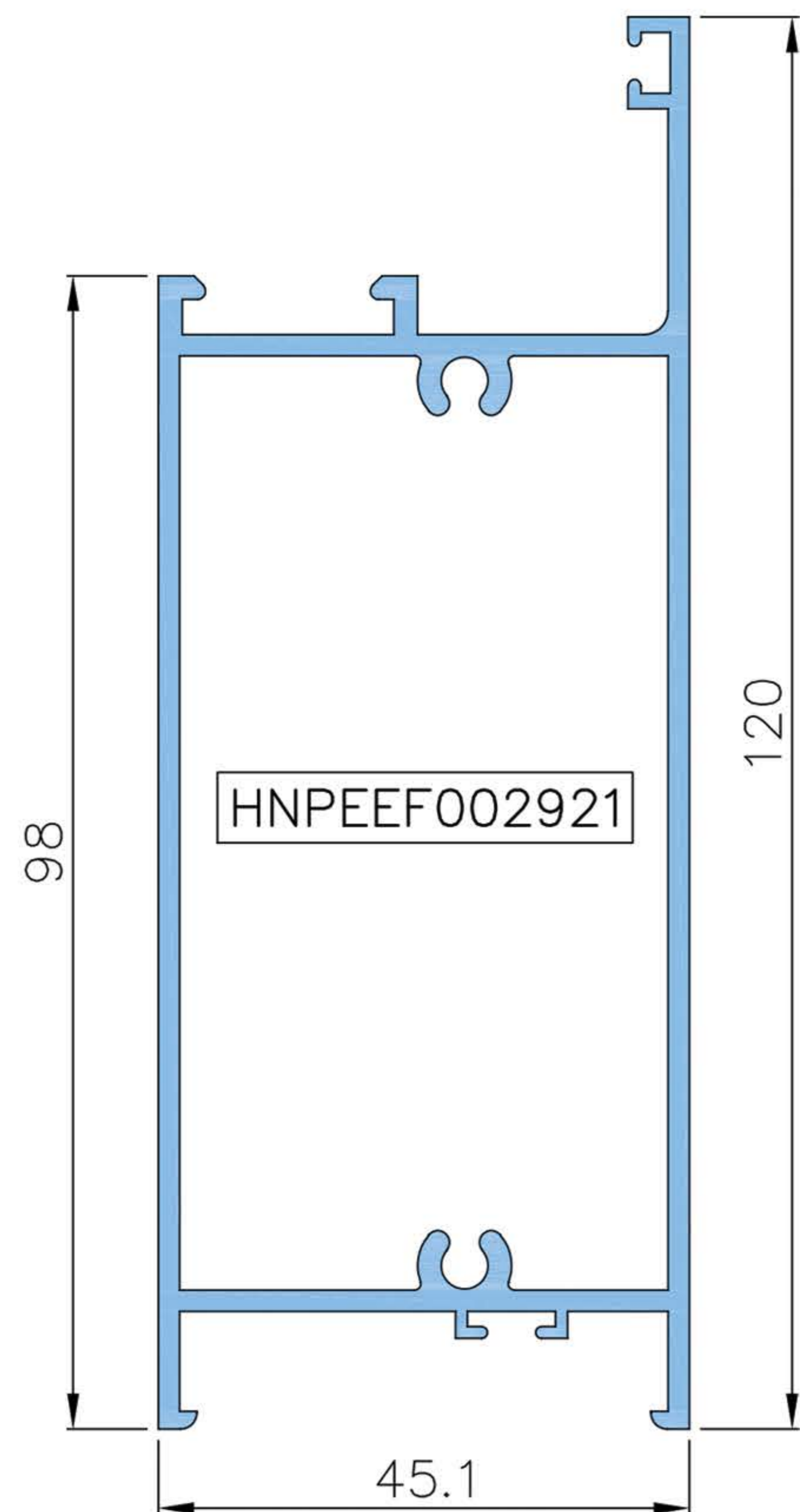
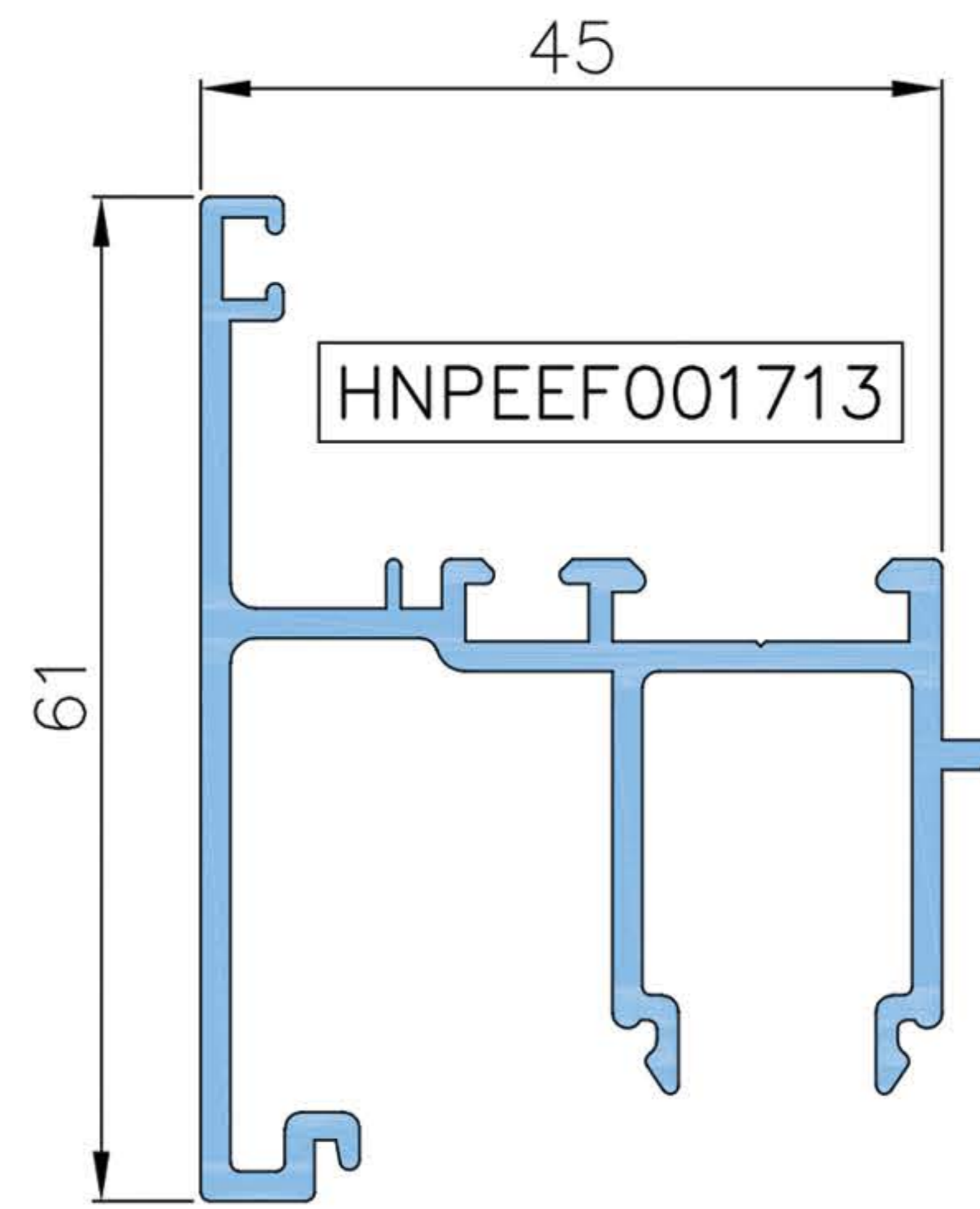
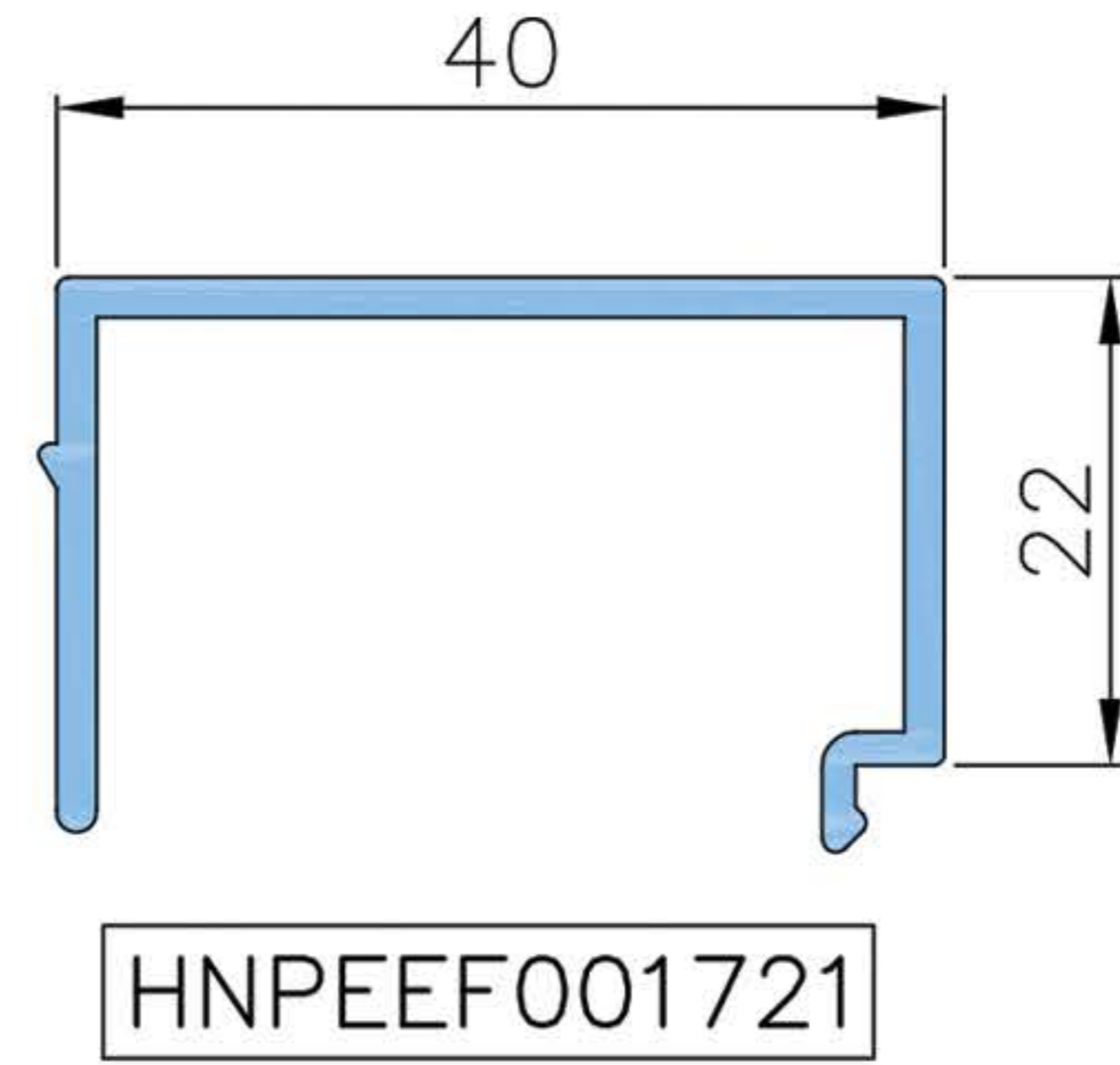
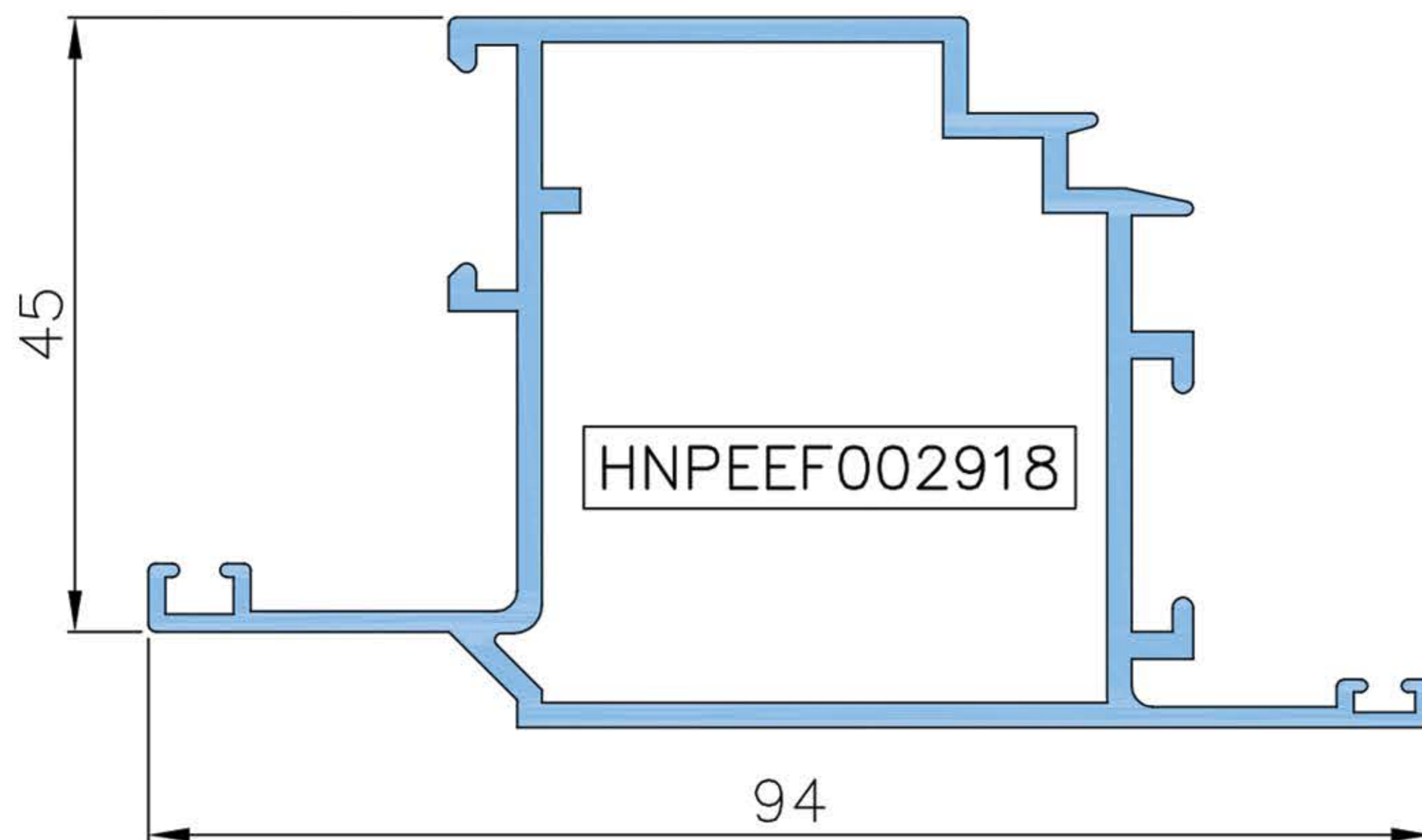
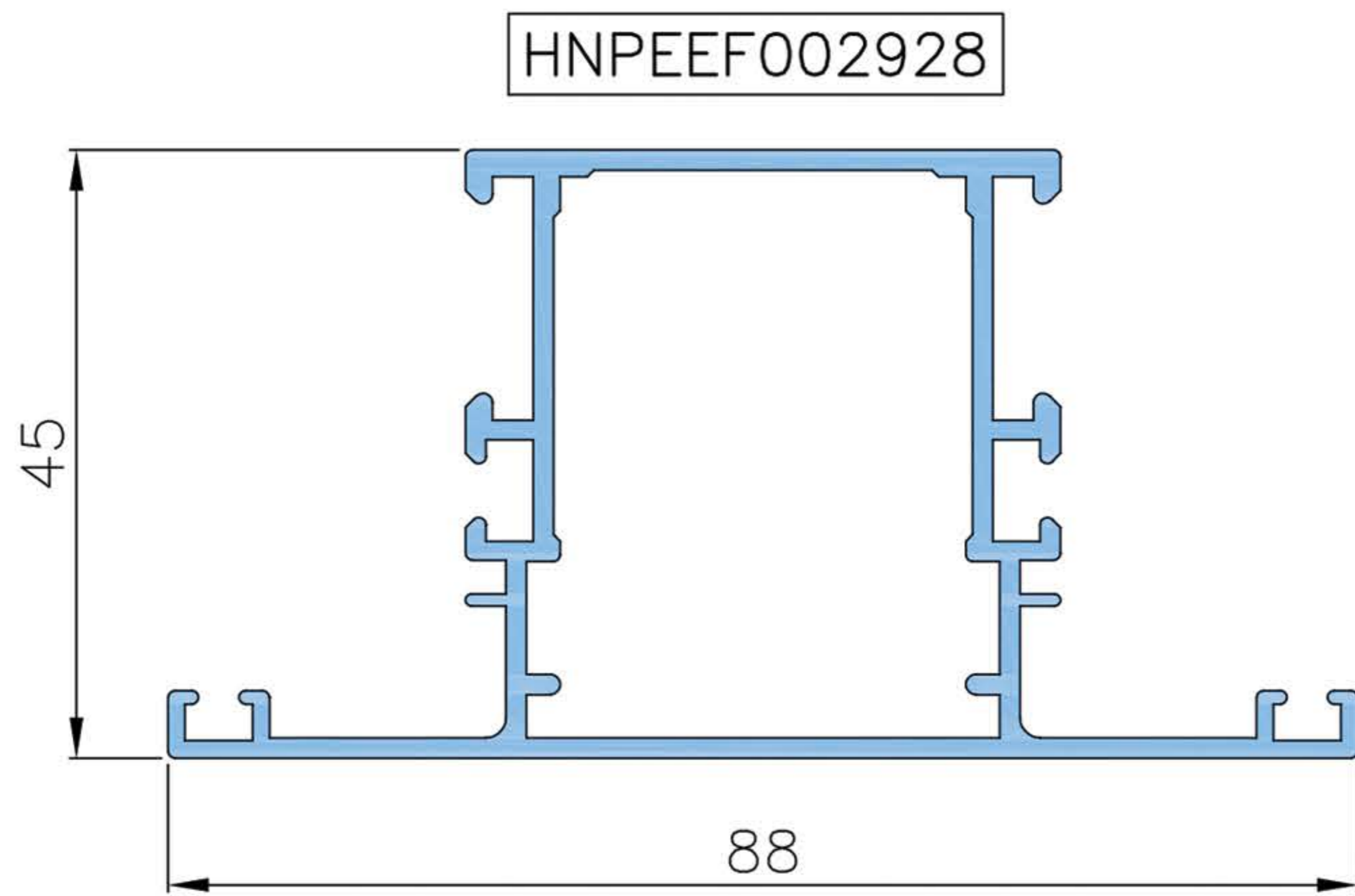
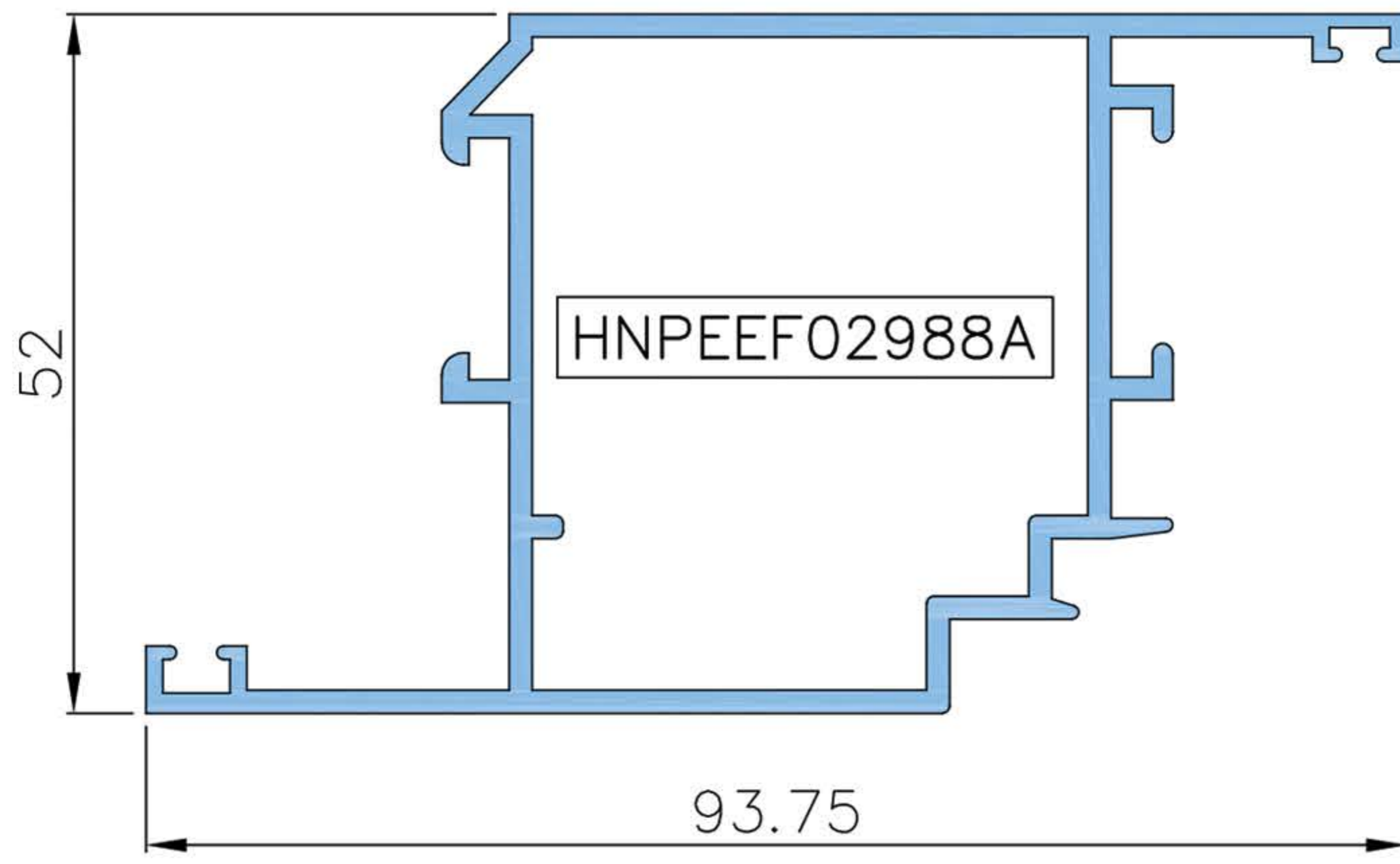


LVPWAE010262

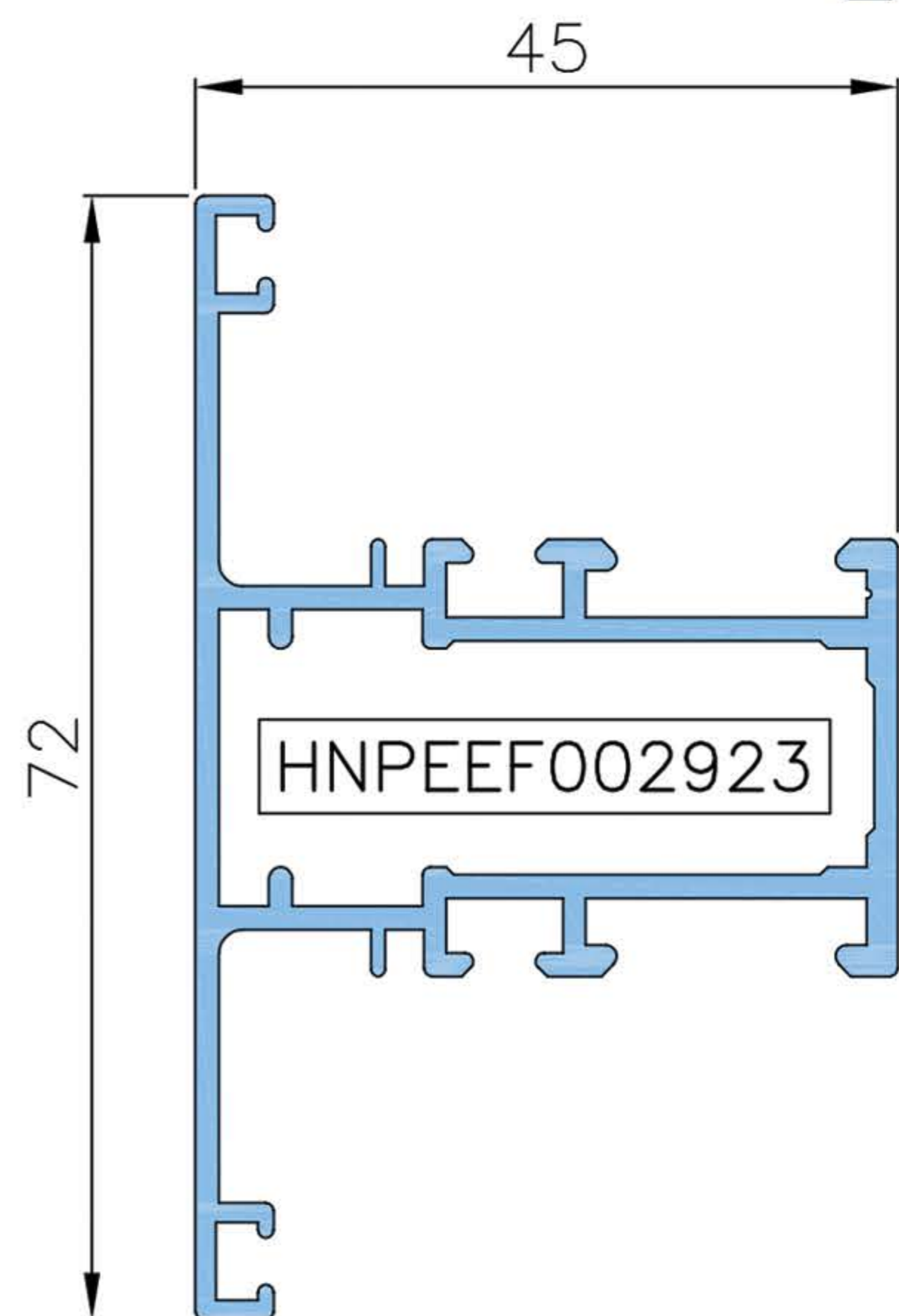
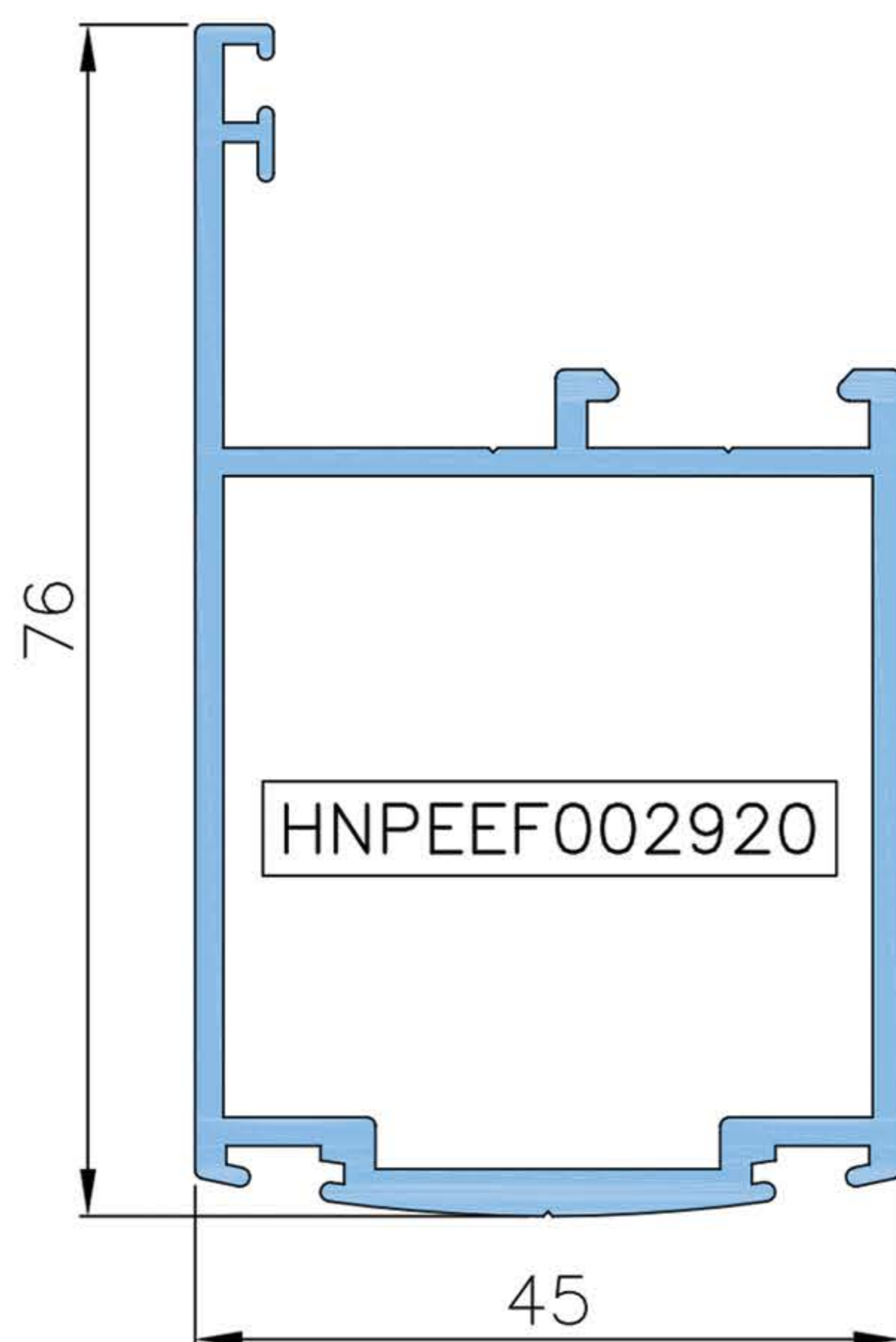
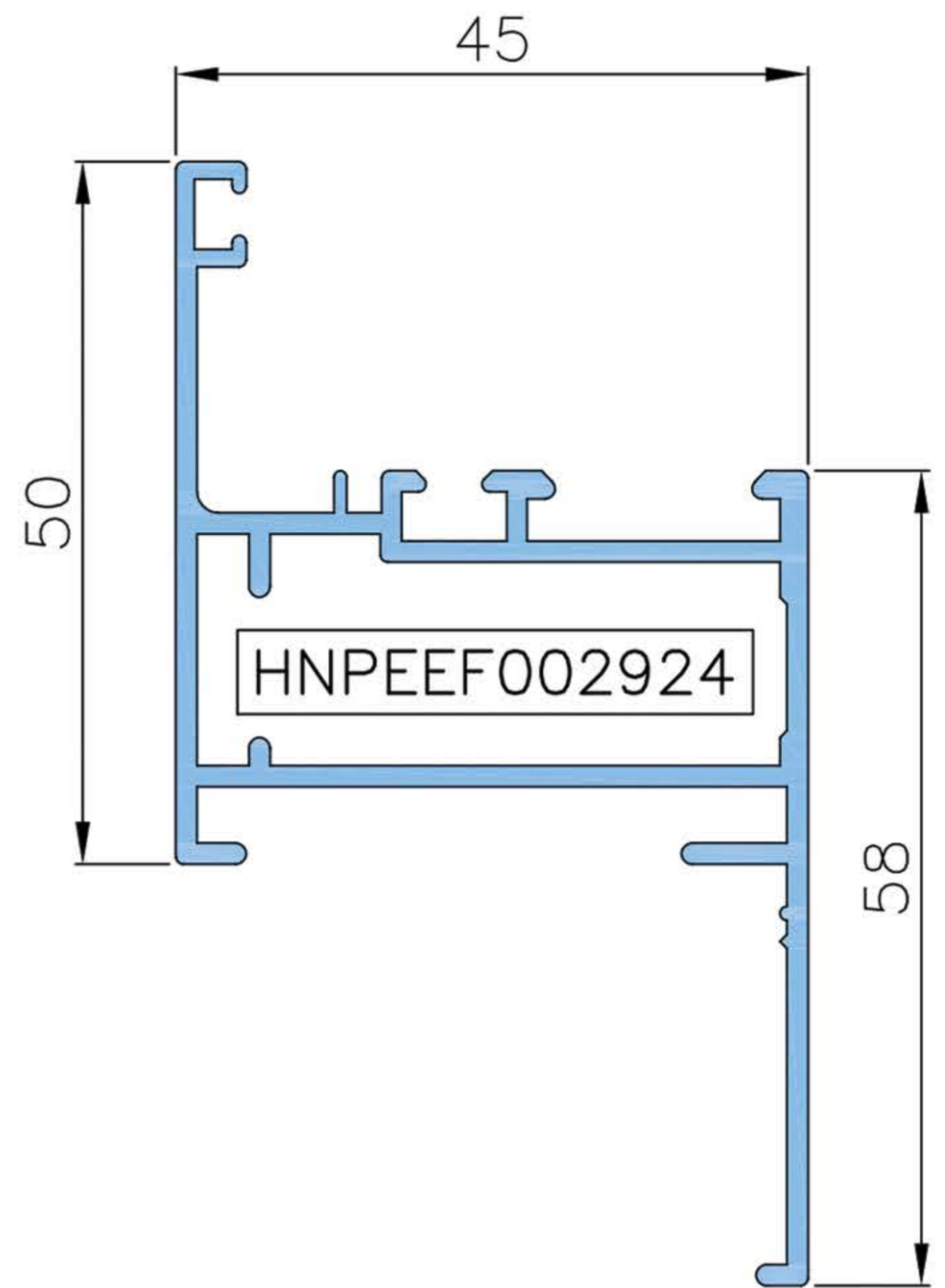
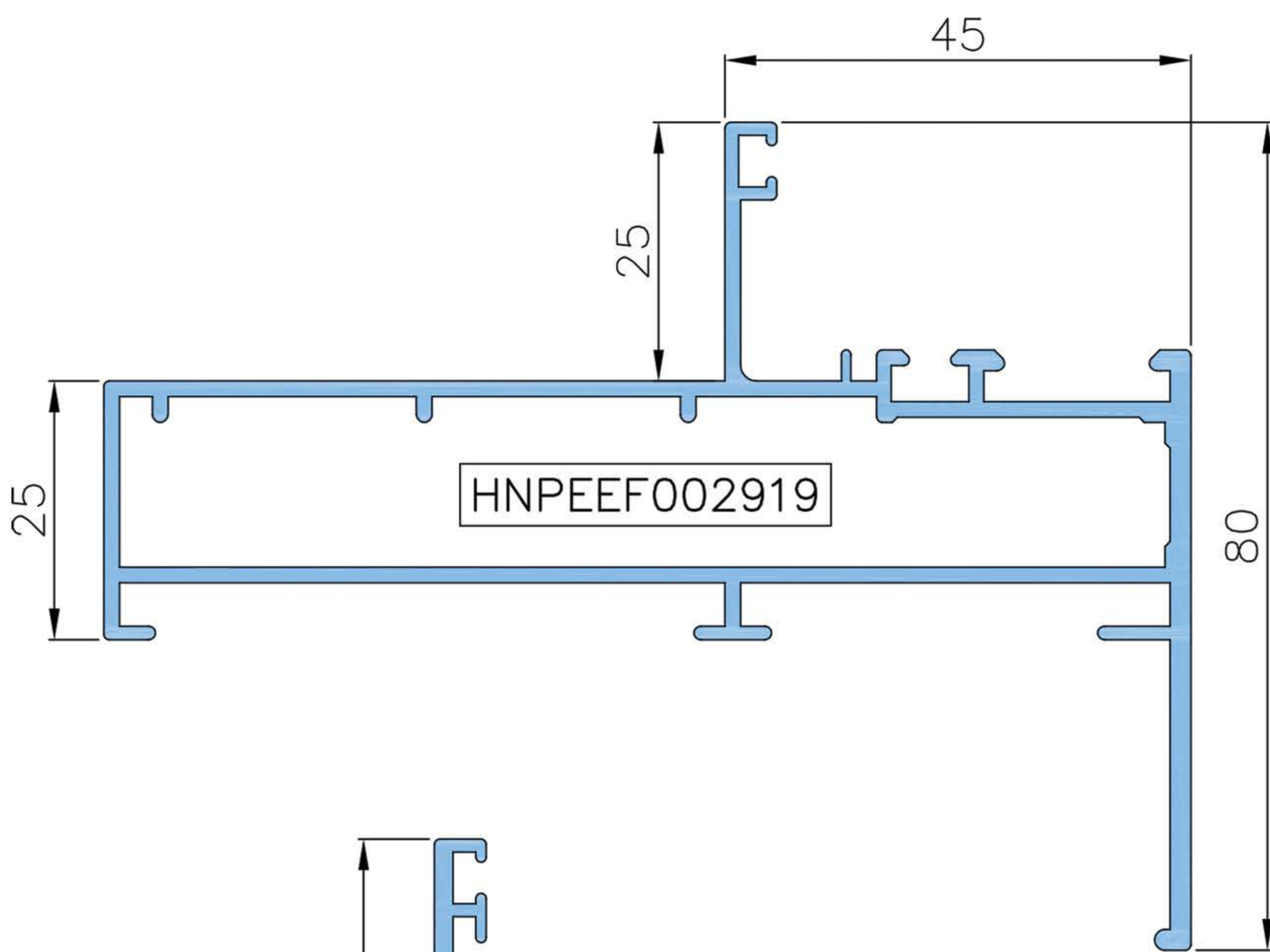
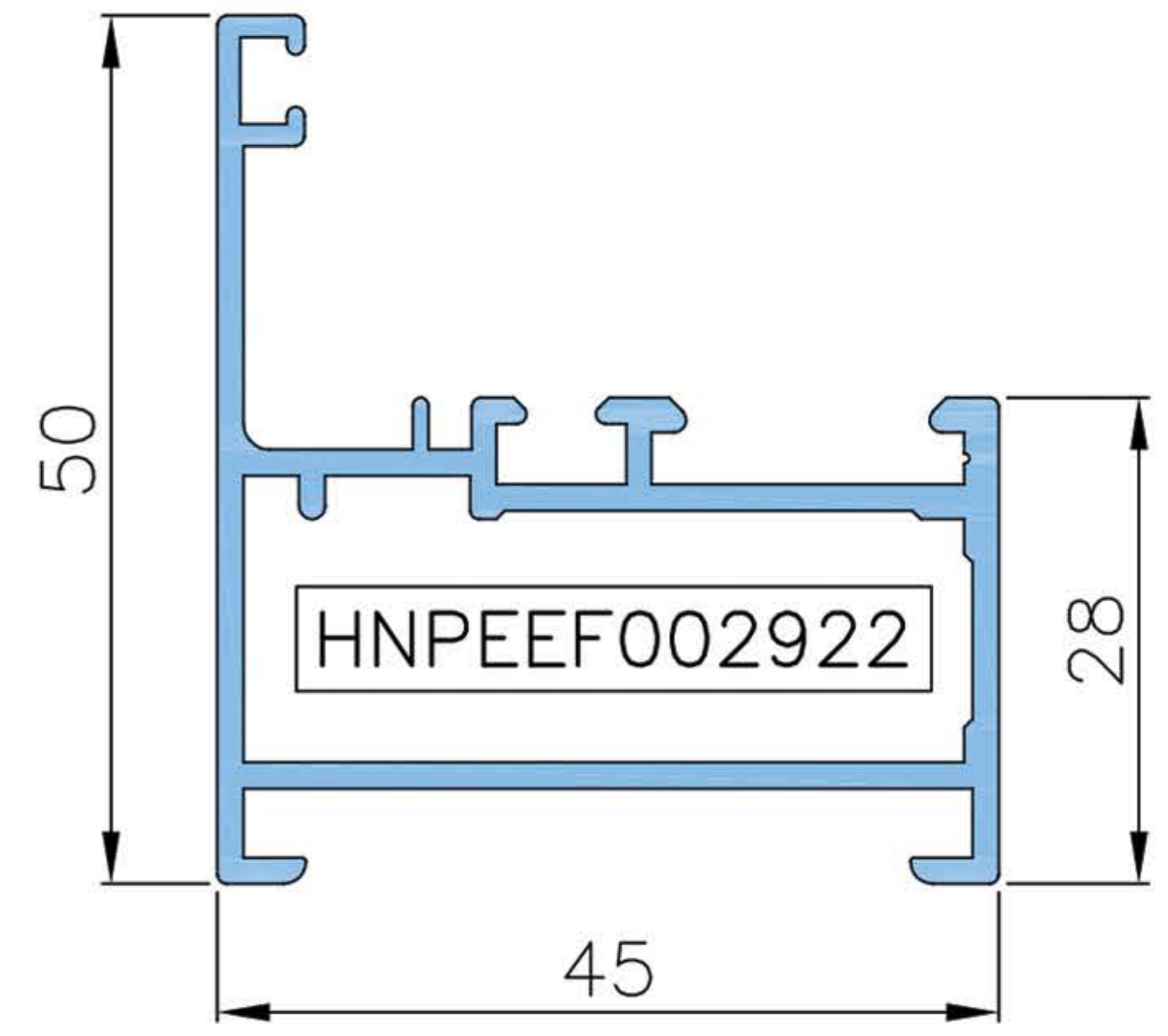
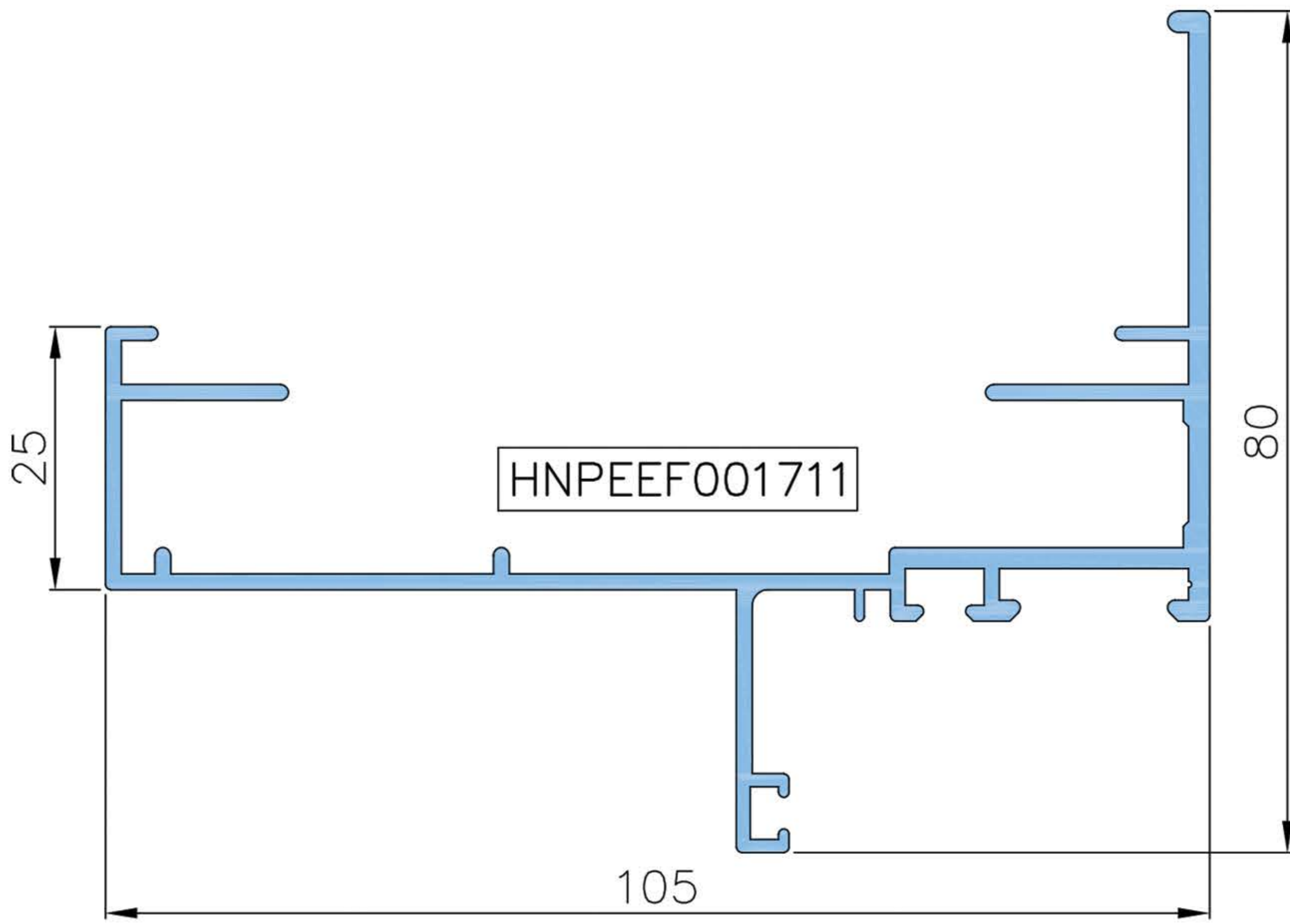


LVPWAE010133

LOUVER HINGED PROFILE



LOUVER HINGED PROFILE



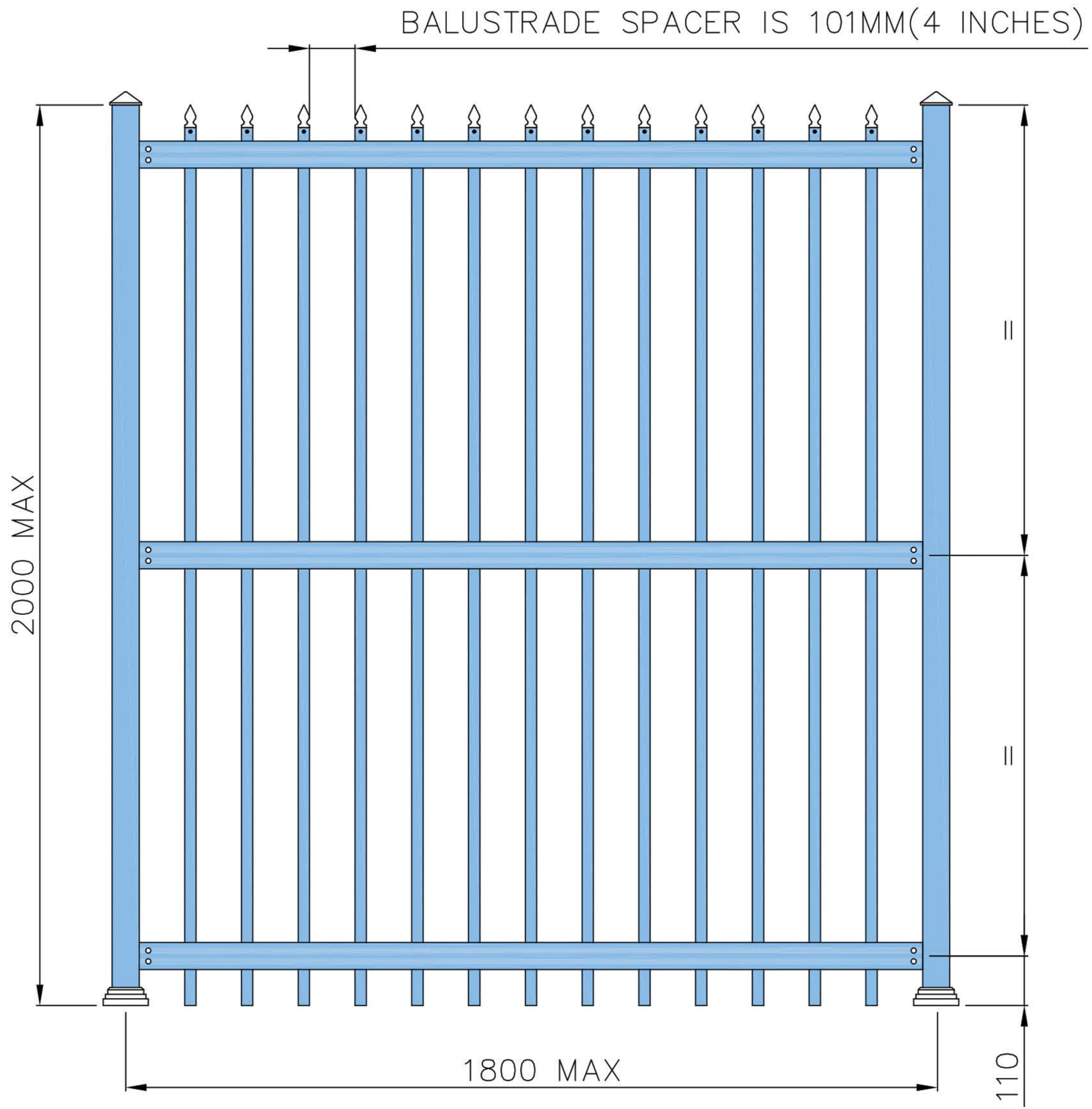
As Prospec Specialties' policy is one of continual progress for the improvement of the company's services to its customers, the company reserves the right to modify the specifications of its products without notice.

## LOUVER GASKETS AND ACCESSORIES

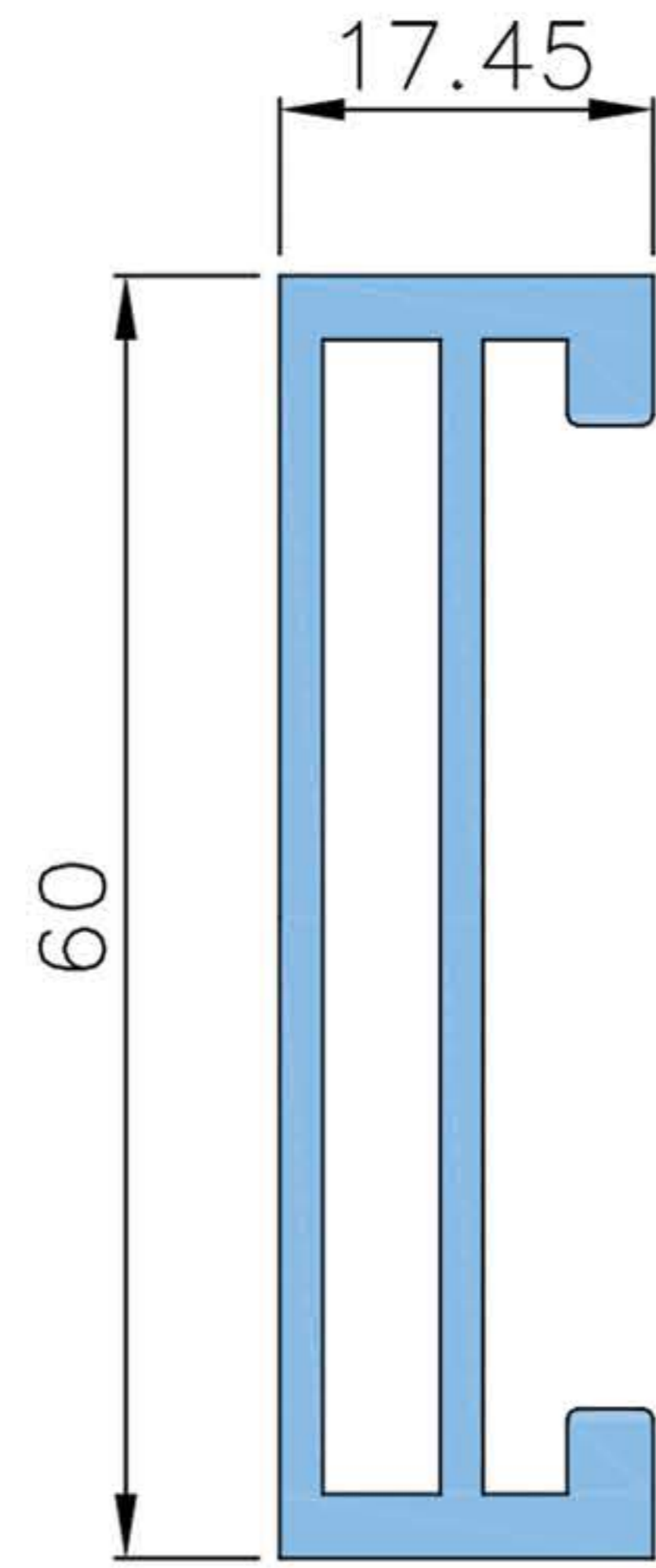
SHAPE	CODE	DESCRIPTION	SHAPE	CODE	DESCRIPTION
	GRIRC01701	OUTSIDE SHUTTER GASKET			HINGED
	GRIRC01702	INSIDE FRAME GASKET			HEAVY DUTY HINGED
	GRIRC01700	CENTRAL GASKET			DOOR HANDLE
		RUBBER PLUG FOR MID			PUSH HANDLE BAR
					DOOR STOPPER
					BOTTOM DOOR BRUSH

# SECURITY FENCING

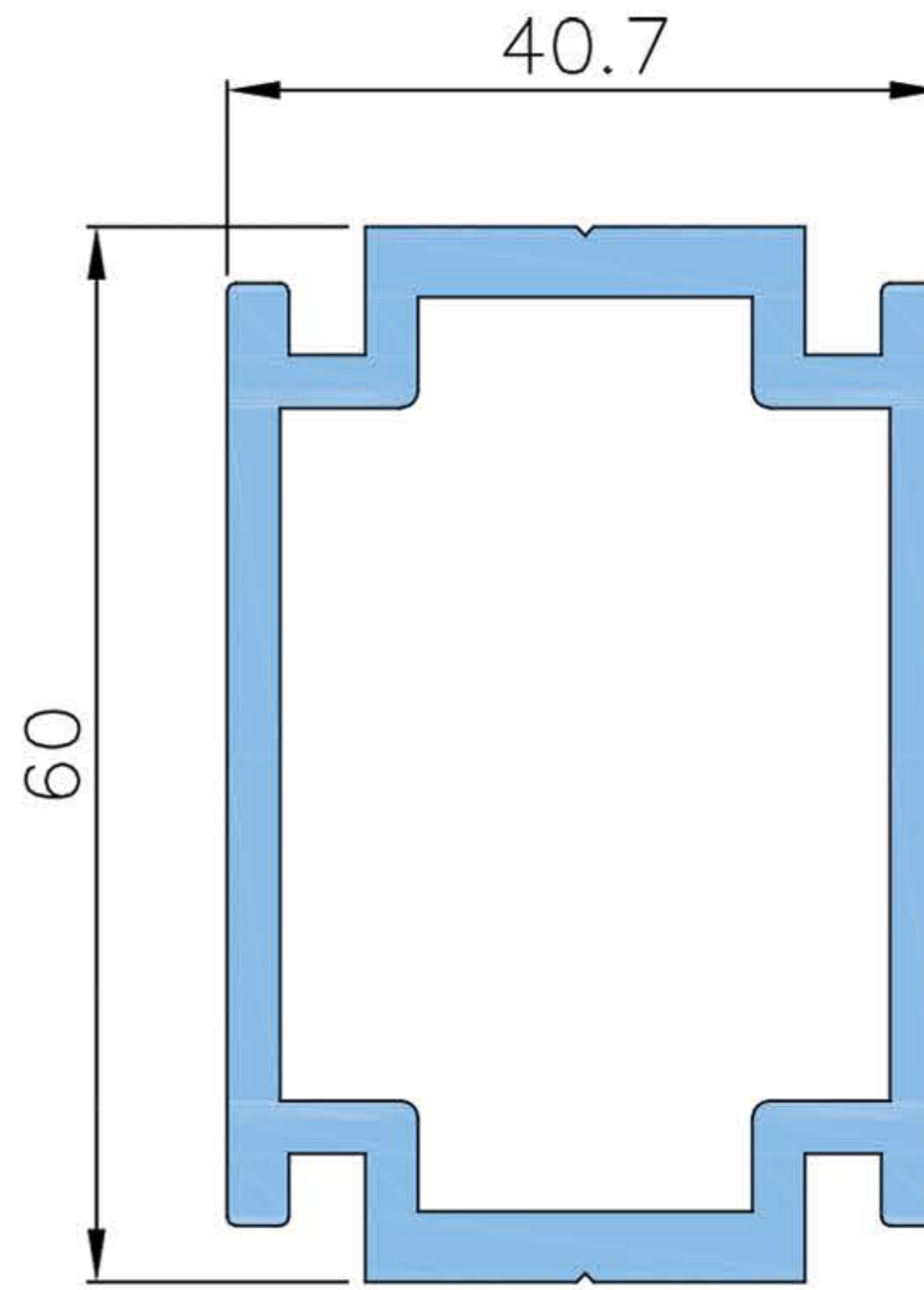




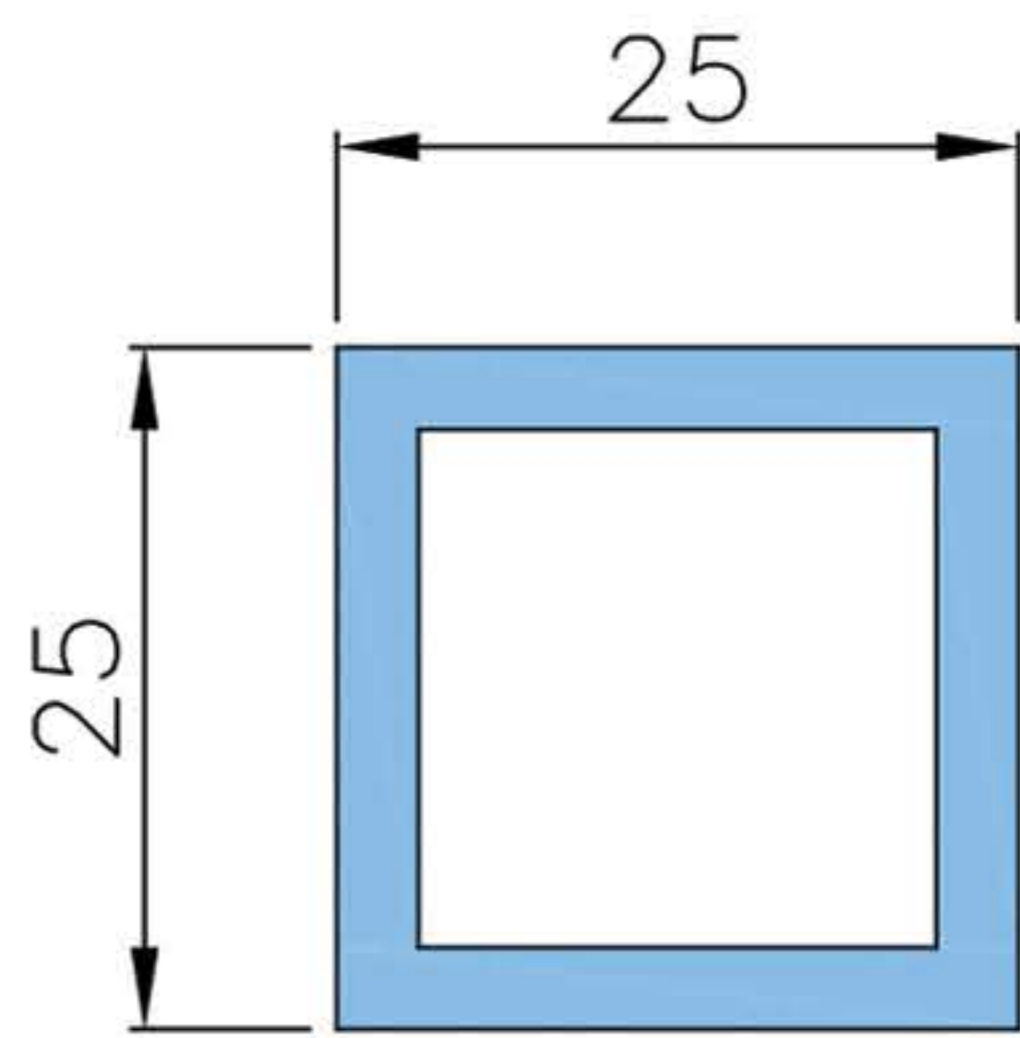




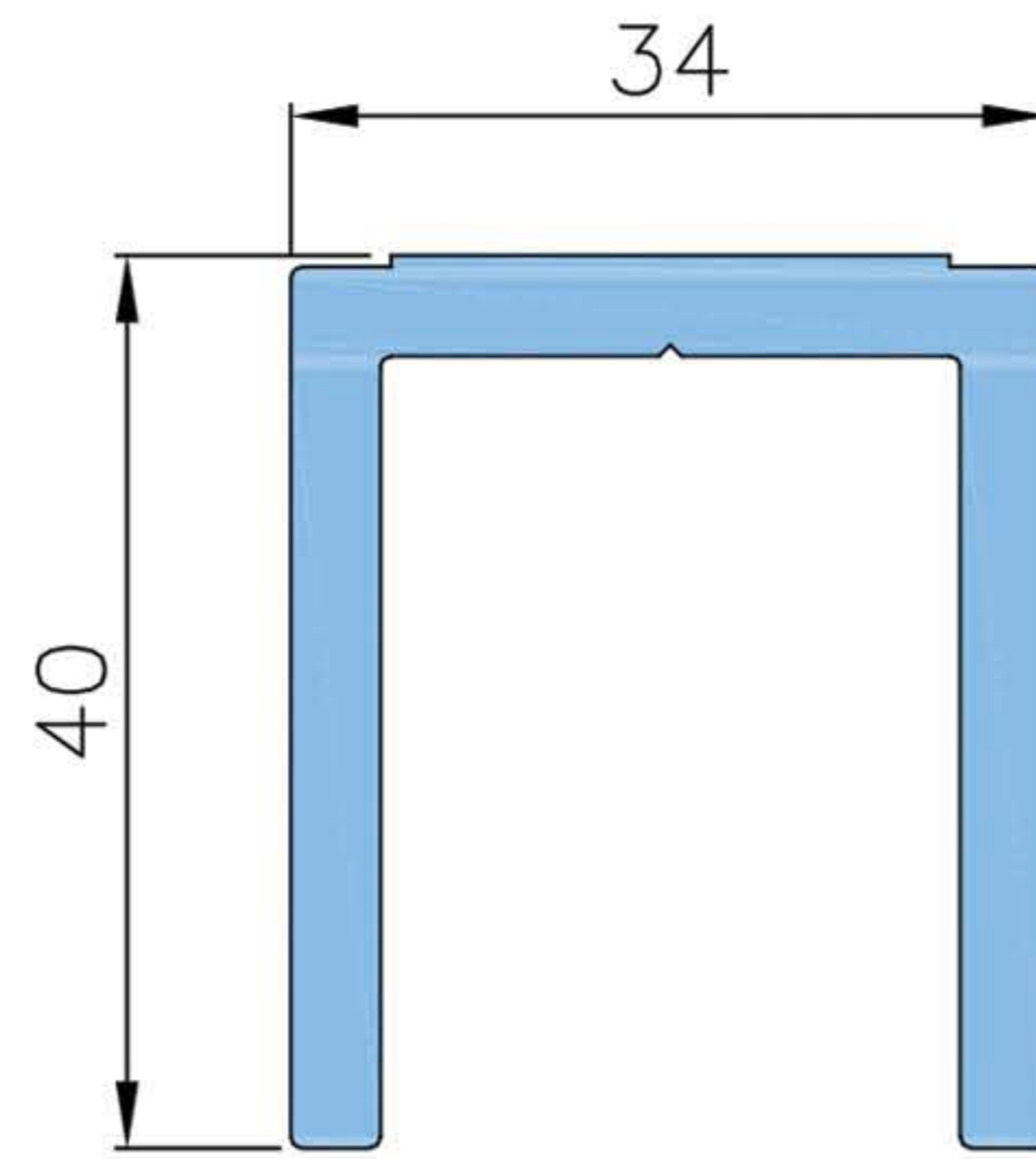
GFSPSF000701



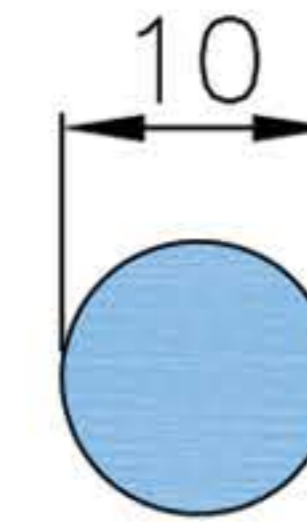
GFSPSF000702



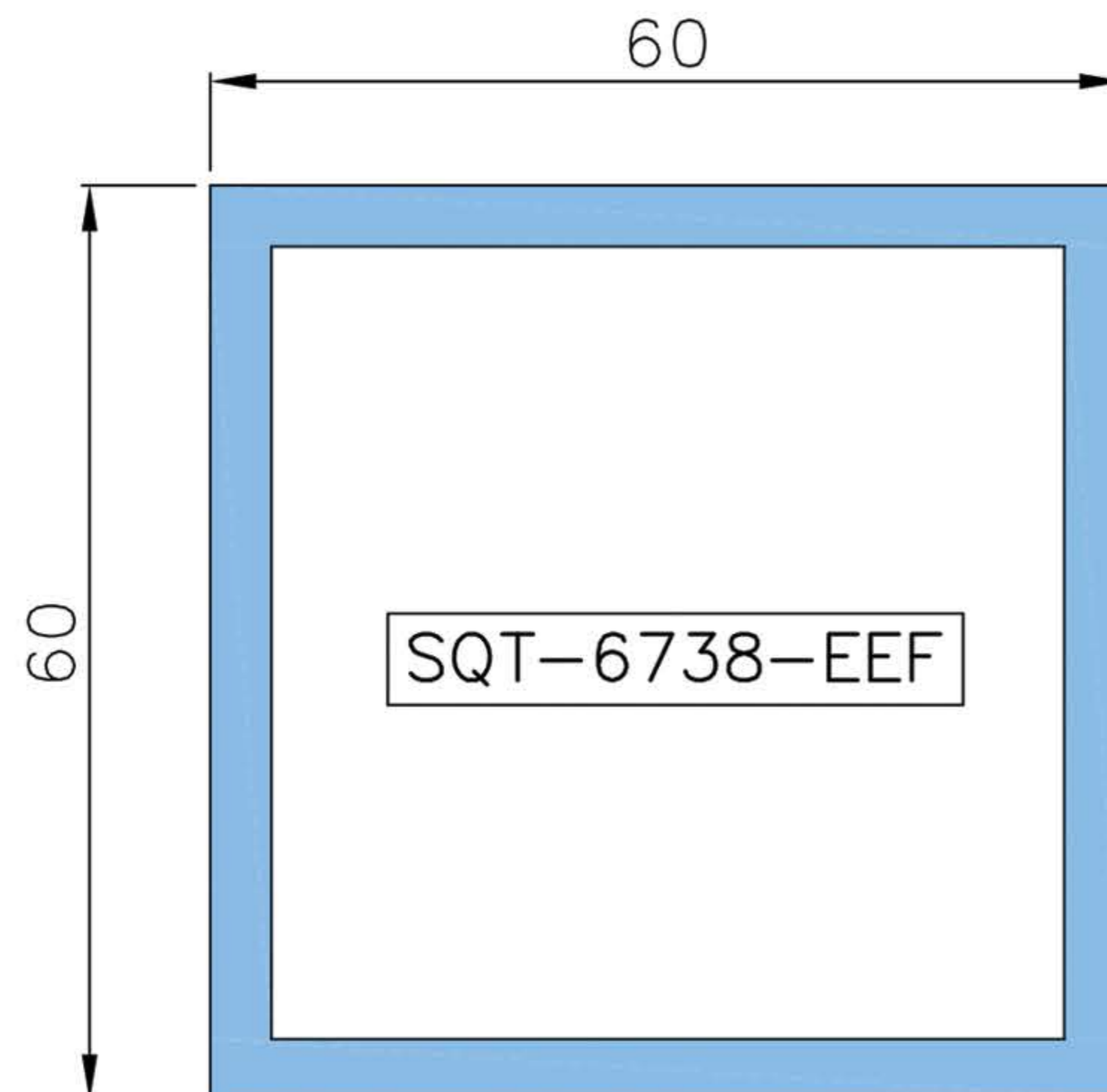
SQT-2646-EEF



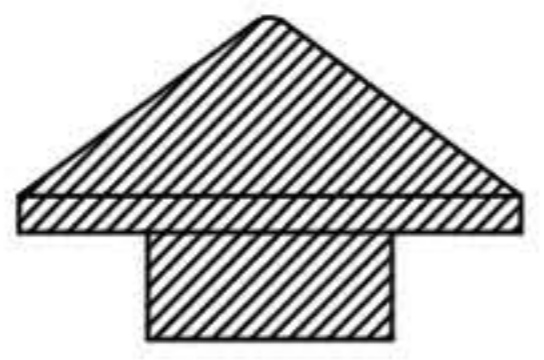
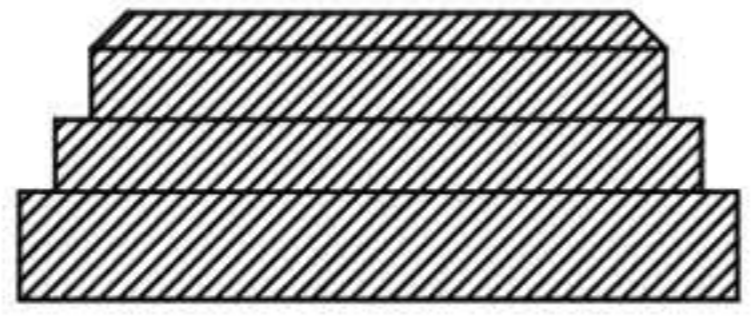

GFSPSF000705



RDB-1432-EEF



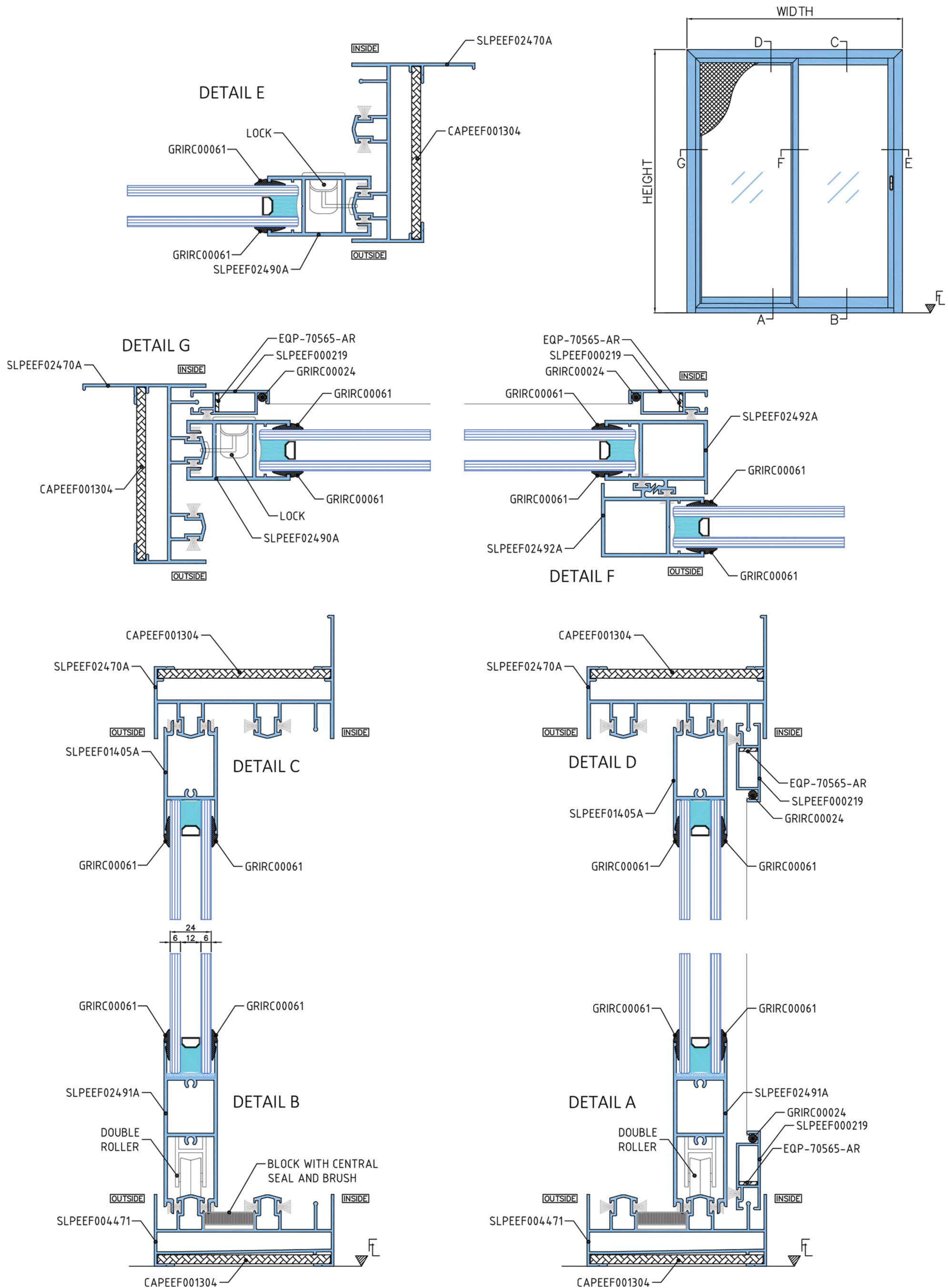
SQT-6738-EEF

SHAPE	CODE	DESCRIPTION
		POST COVER CAP
		POST FOOTING
		BALUSTRADE SPIKES

# SLIDING DOORS

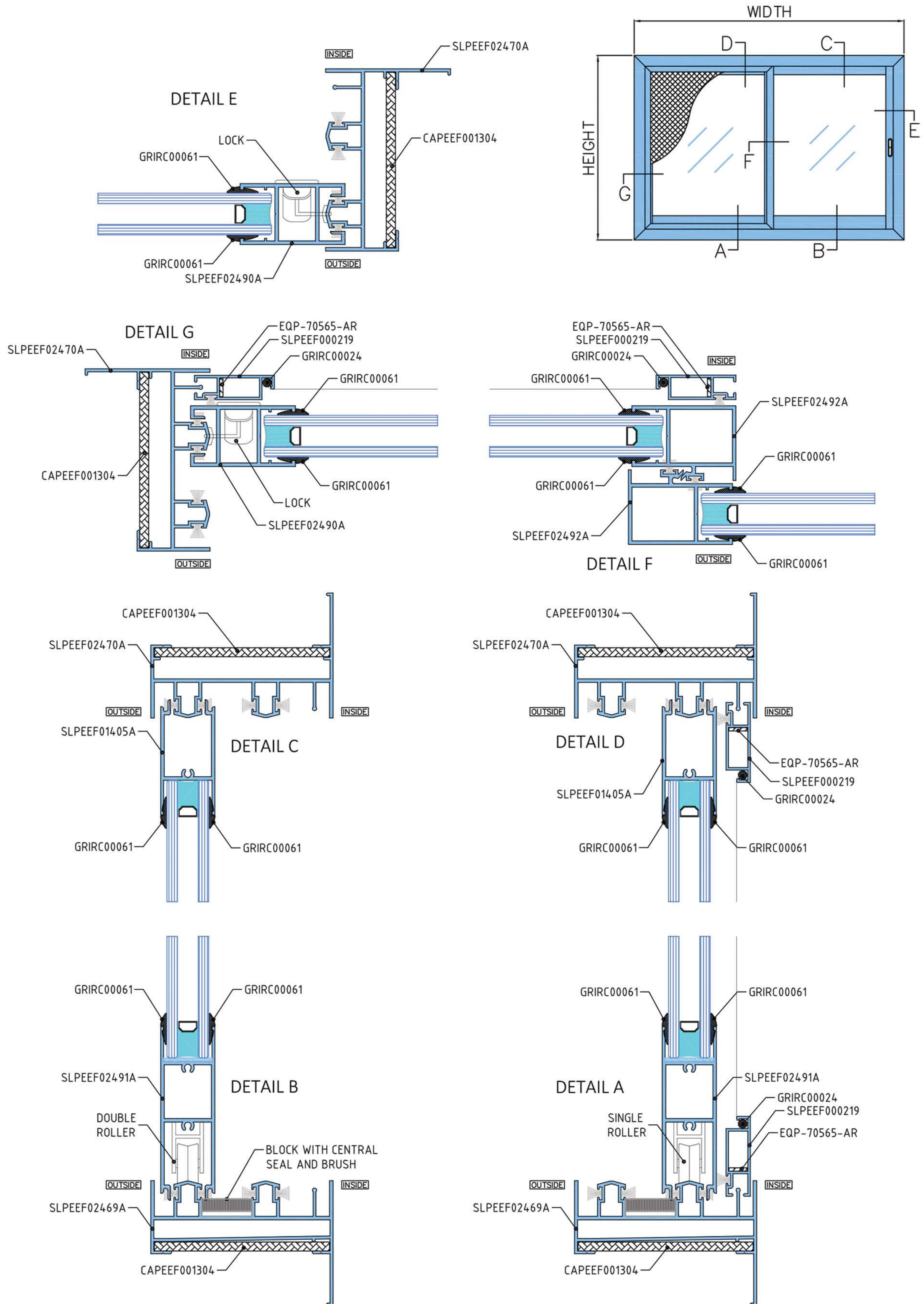


**SLIDING DOOR**

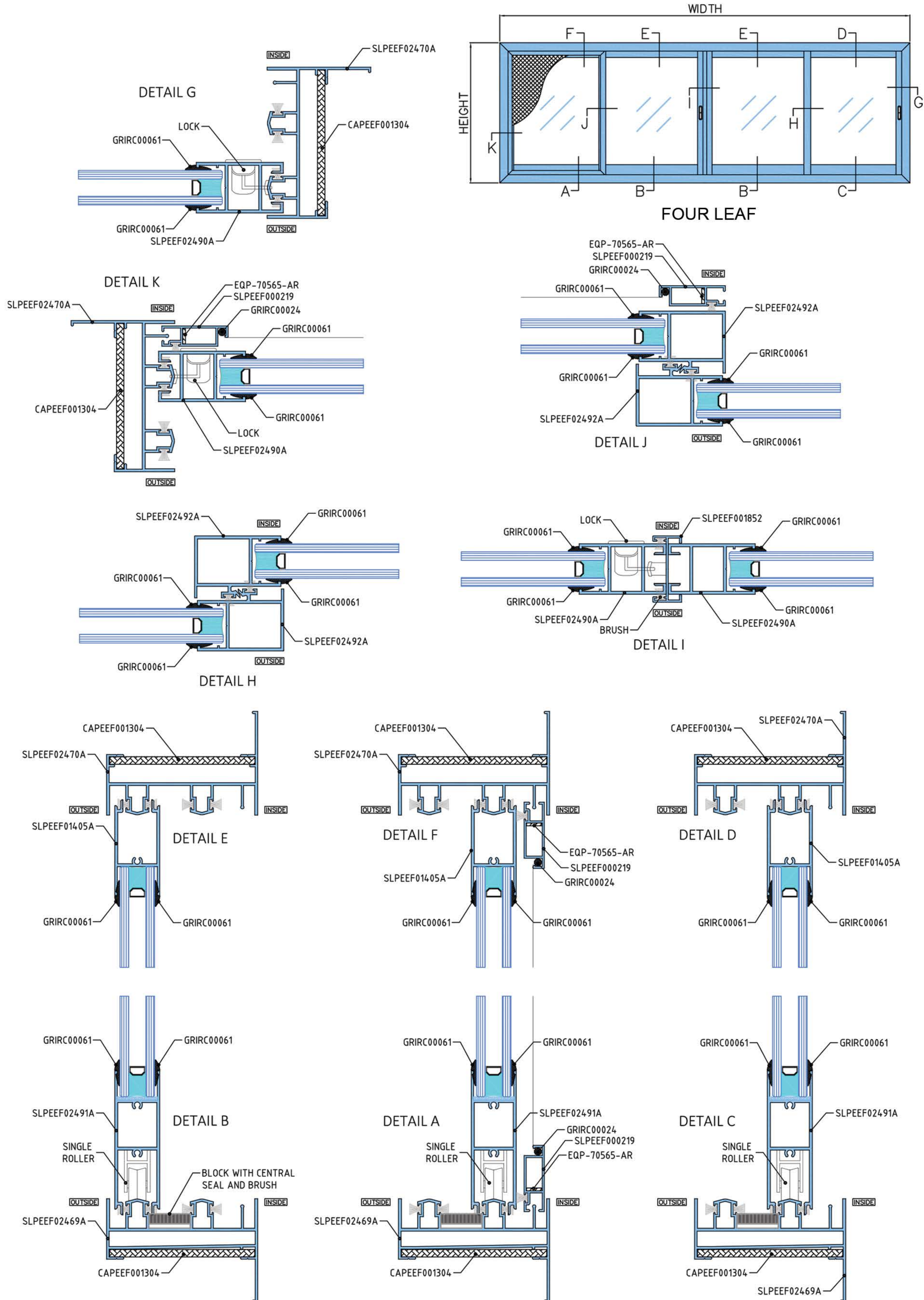


As Prospec Specialties' policy is one of continual progress for the improvement of the company's services to its customers, the company reserves the right to modify the specifications of its products without notice.

SLIDING WINDOW

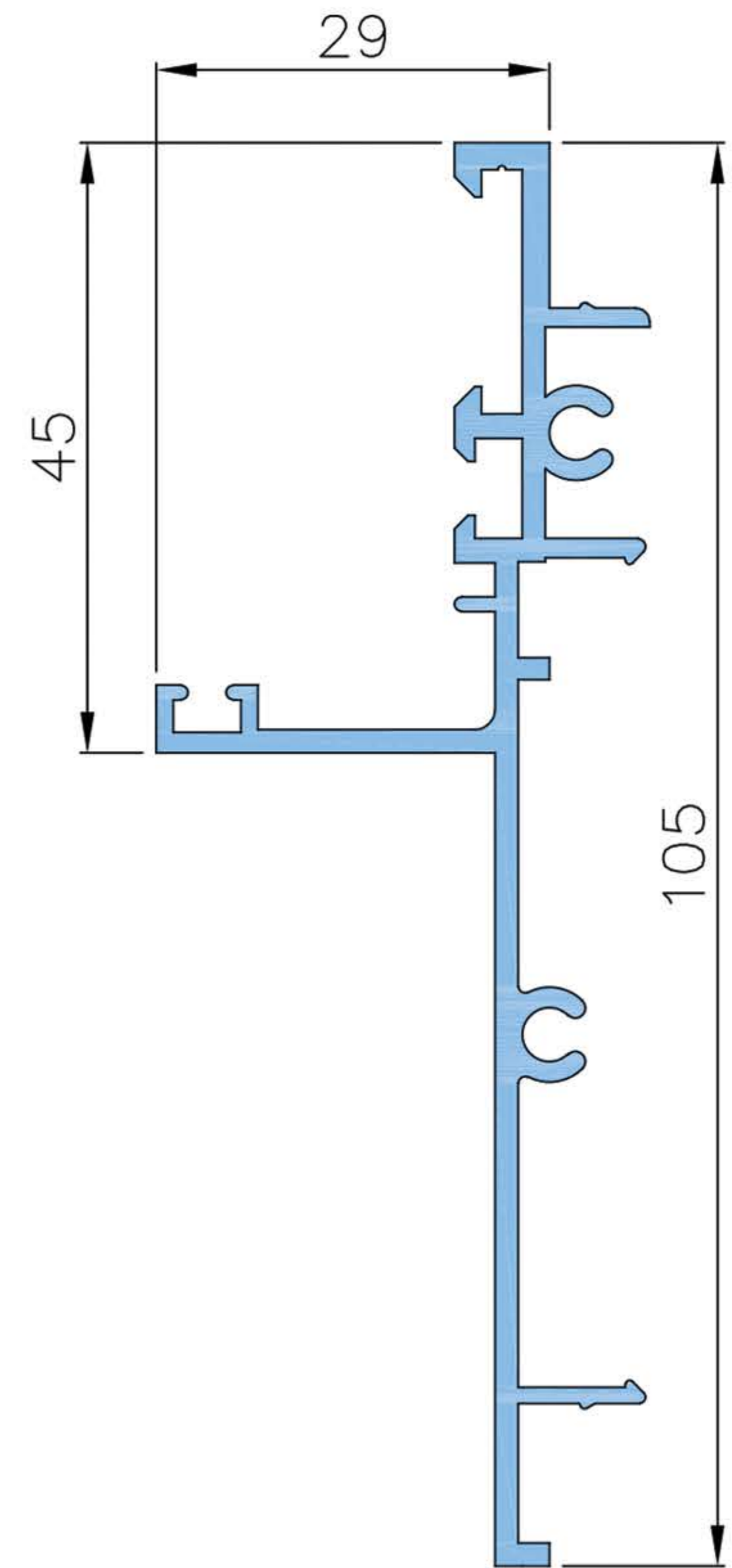
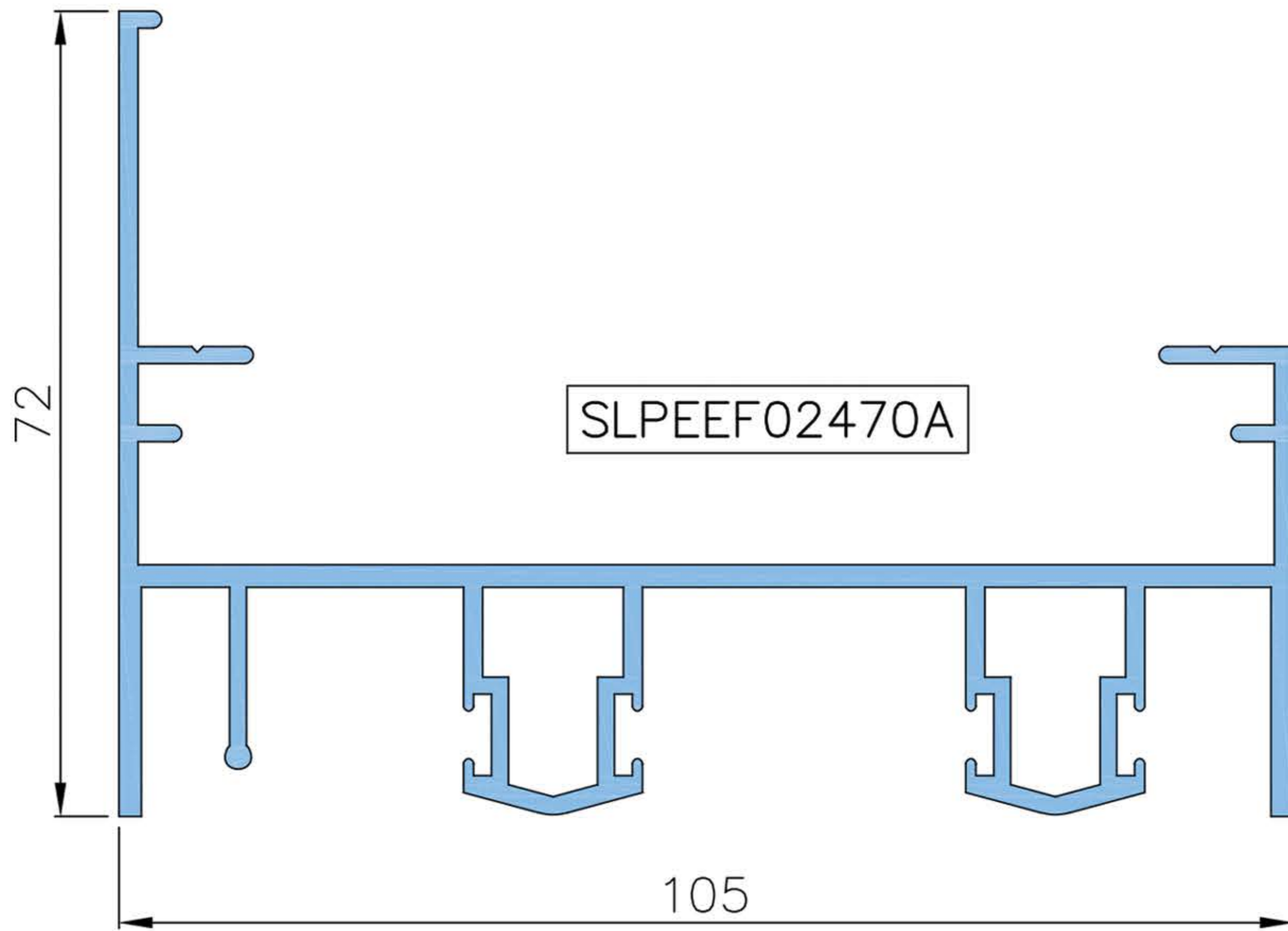


As Prospec Specialties' policy is one of continual progress for the improvement of the company's services to its customers, the company reserves the right to modify the specifications of its products without notice.

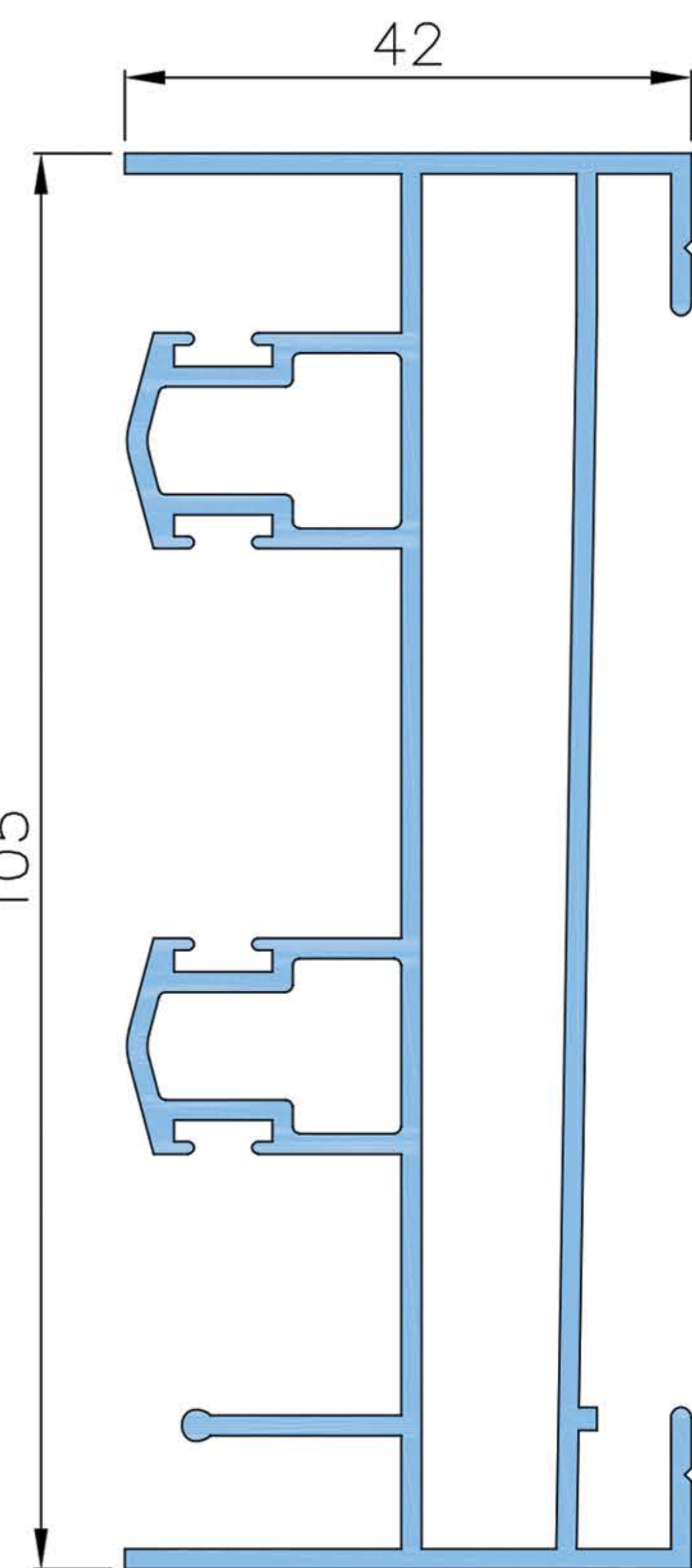
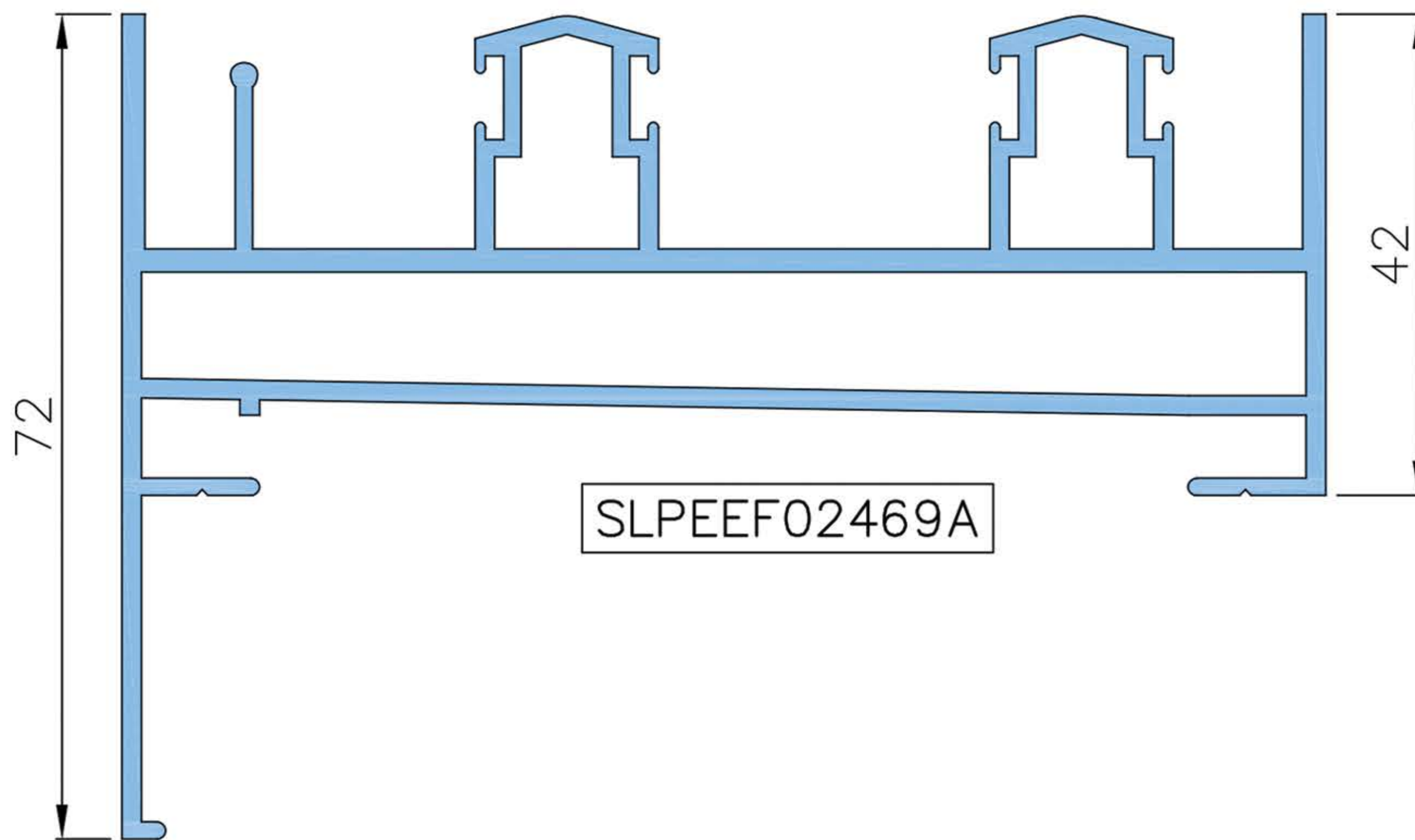


As Prospec Specialties' policy is one of continual progress for the improvement of the company's services to its customers, the company reserves the right to modify the specifications of its products without notice.

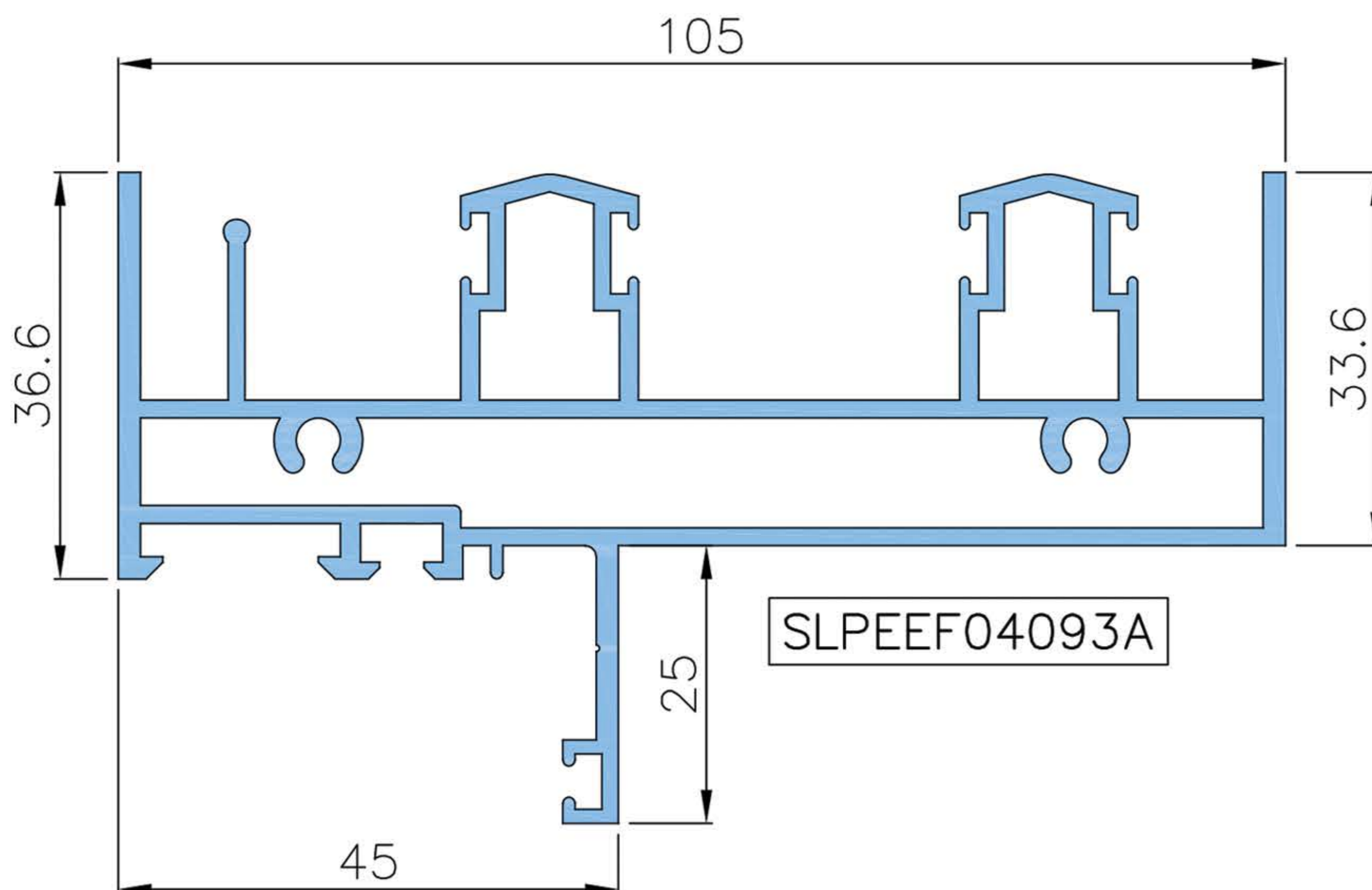
SLIDING PROFILES



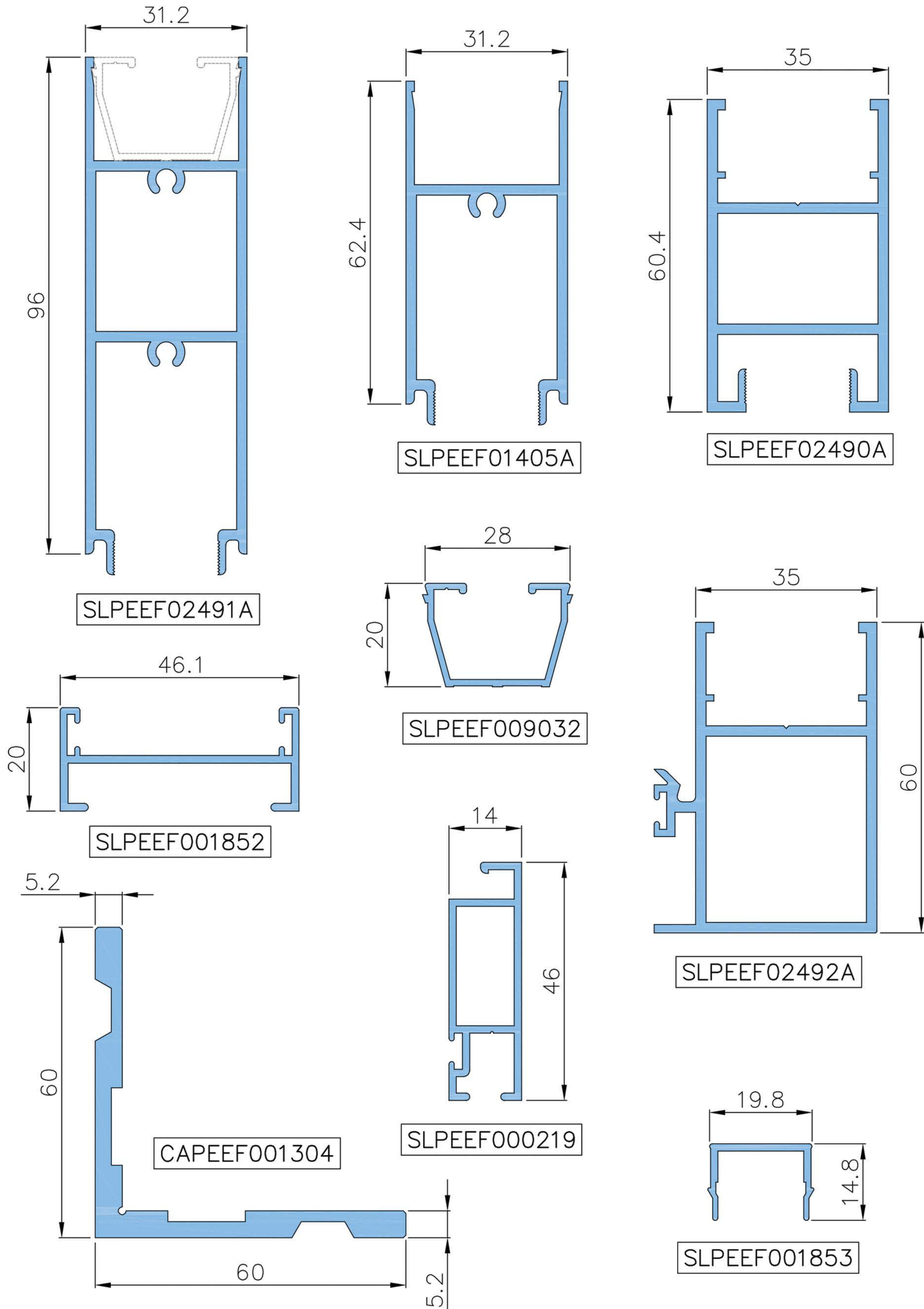
SLPEEF01842A







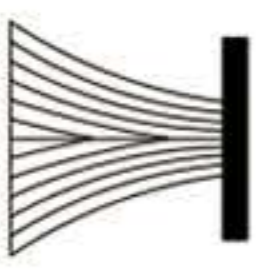












SLPEEF004471

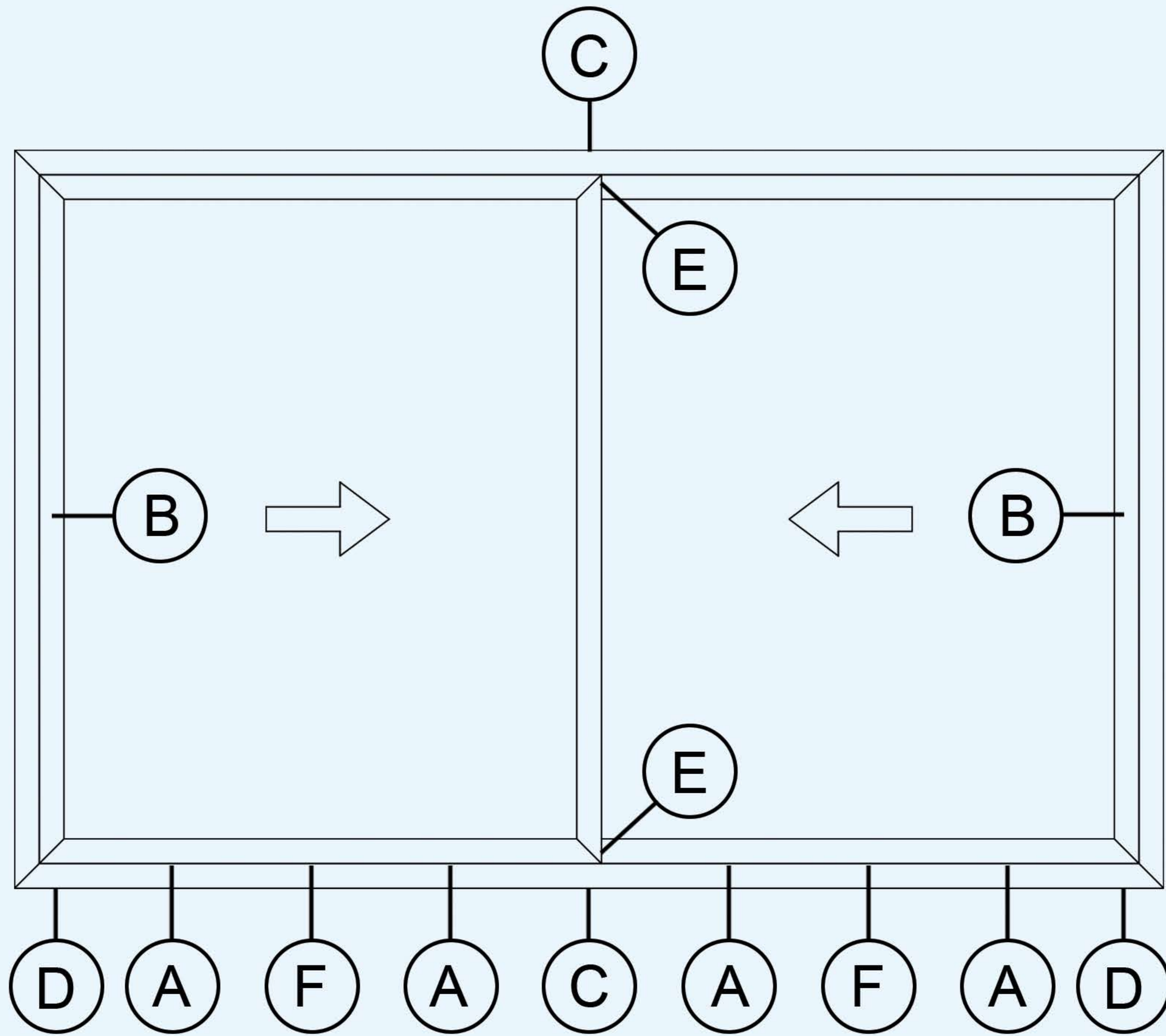


As Prospec Specialties' policy is one of continual progress for the improvement of the company's services to its customers, the company reserves the right to modify the specifications of its products without notice.





SHAPE	CODE	DESCRIPTION	SHAPE	CODE	DESCRIPTION
	GRIRC00061	GLASS FILLER			SINGLE ROLLER FOR WINDOW
	GRIRC00024	FLYSCREEN FILLER			DOUBLE ROLLER FOR DOORS
	8mm BRUSH	BRUSH			LOCKING KIT FOR INNER AND INNER CLICK HANDLE
					AUTOMATIC EMBEDDED HANDLE WITH KIT
					BLOCK WITH CENTRAL SEAL AND BRUSH
					DRAIN BUSHING
					DRAIN PLUG
					DRAIN CAP
					COVER CAP (INTERLOCK)
					DOUBLE EMBEDDED HANDLE WITH KIT (INNER)
					DOUBLE EMBEDDED HANDLE WITH KEY AND KIT
					DOOR BUMPER
					PULL HANDLE
					ANTI-DRIFT SHOCK ABSORBER PLUG



Single roller

(A)



Handle with Kit

(B)



Central seal

(C)



Drain plug

(D)



Cover cap

(E)

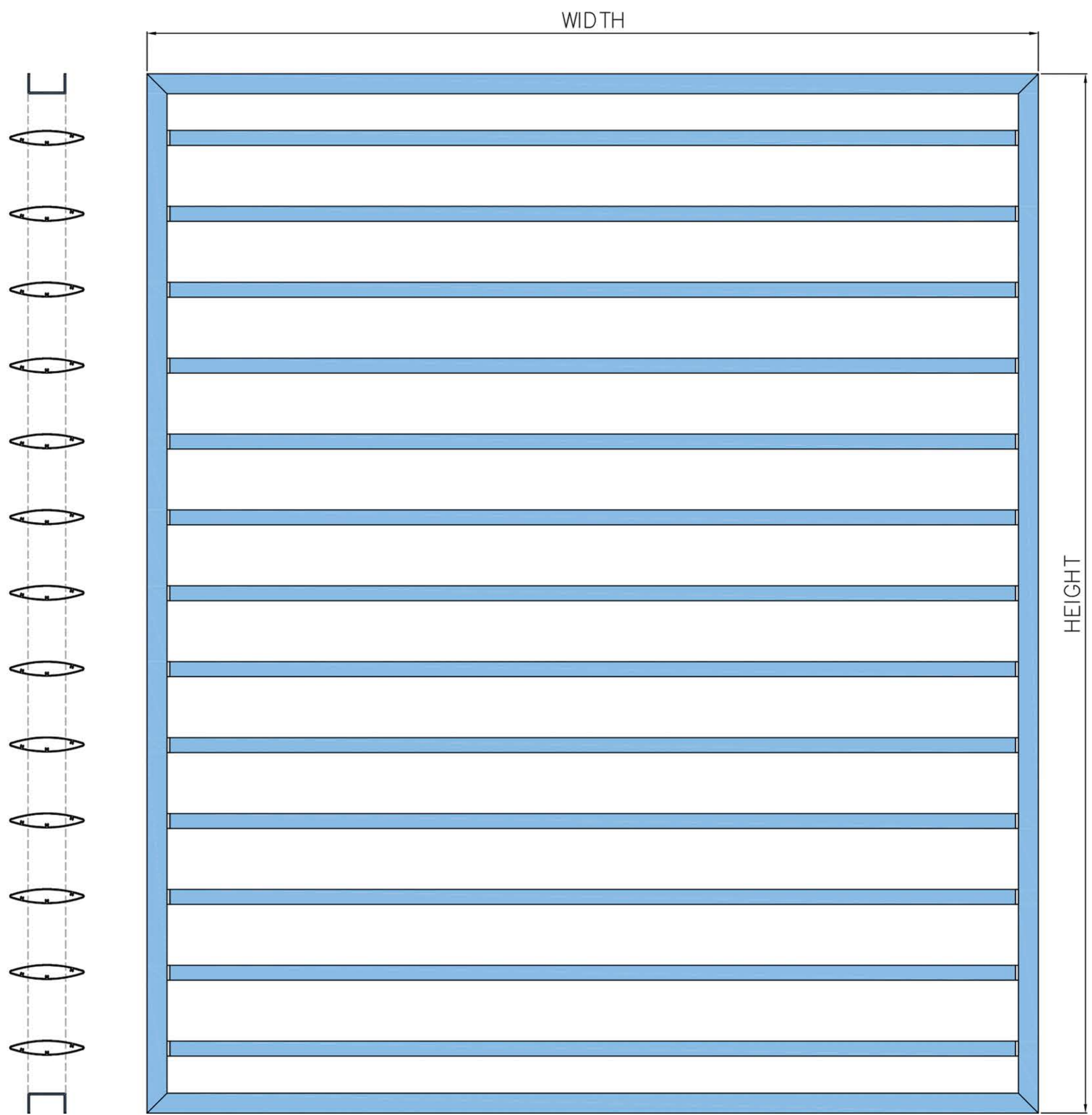
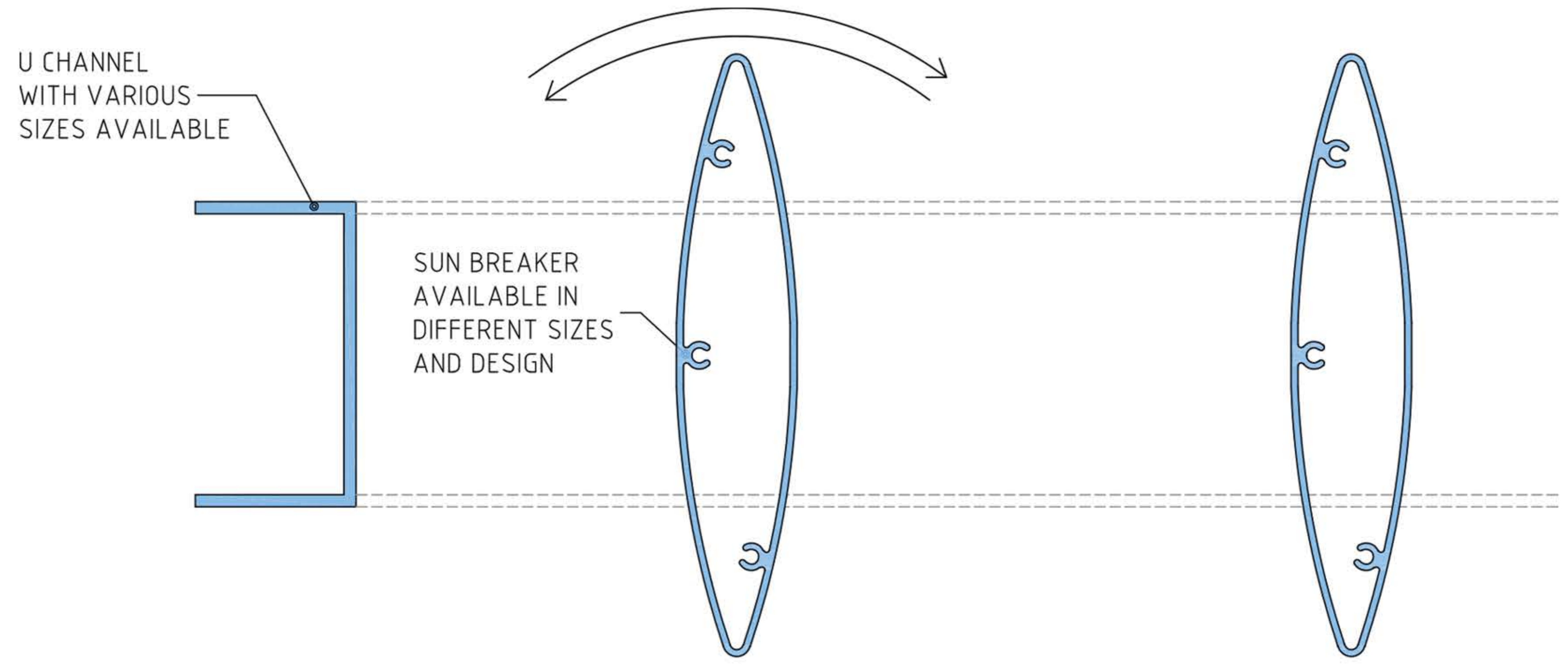


Drain bushing

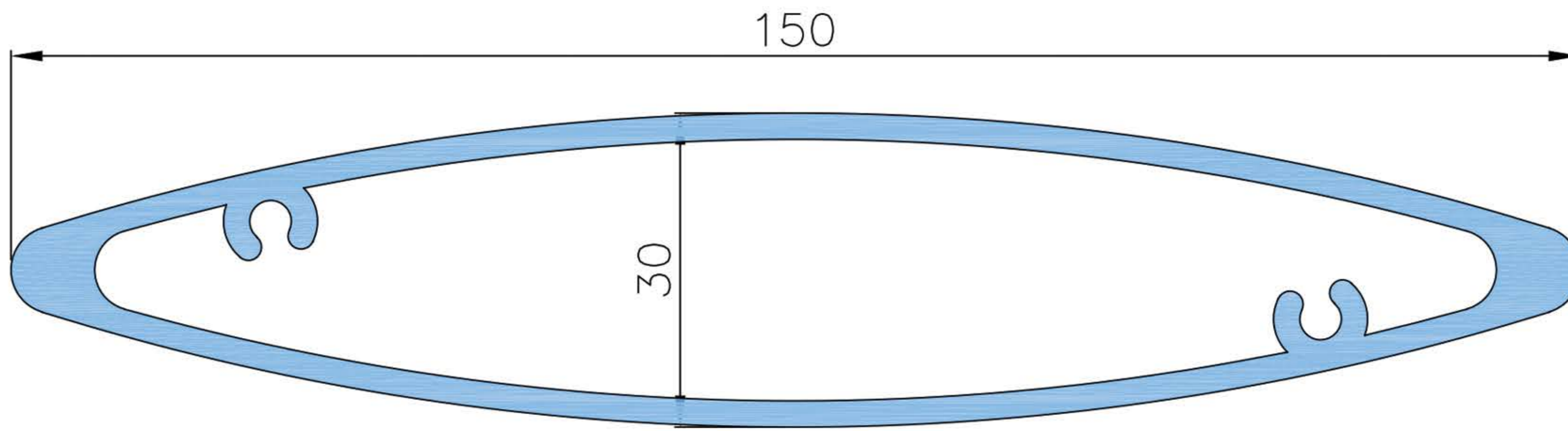
(F)

# SUN BREAKERS

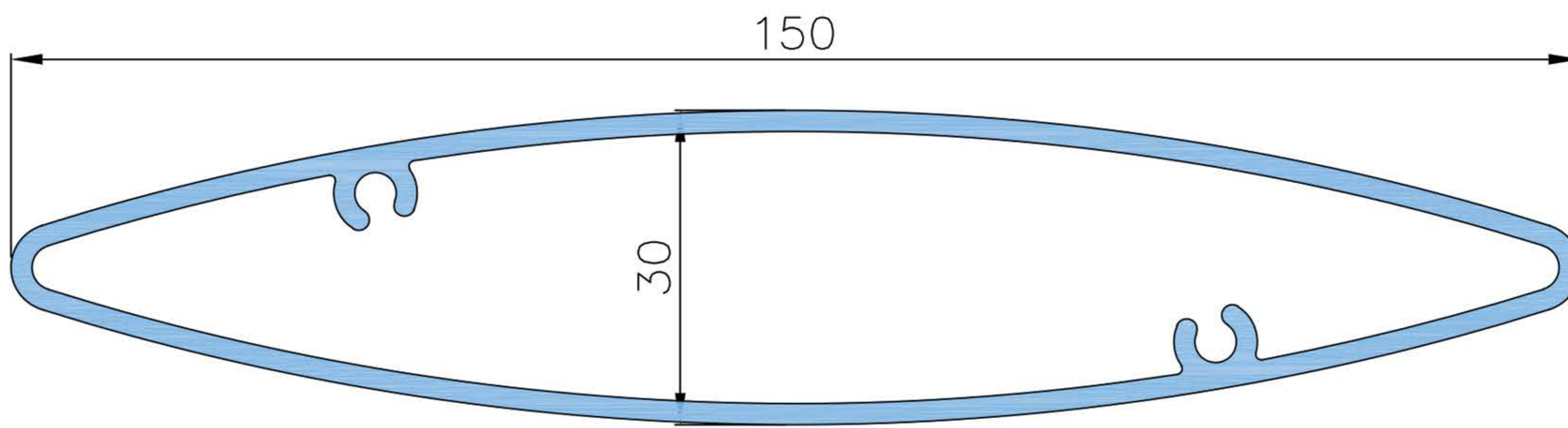




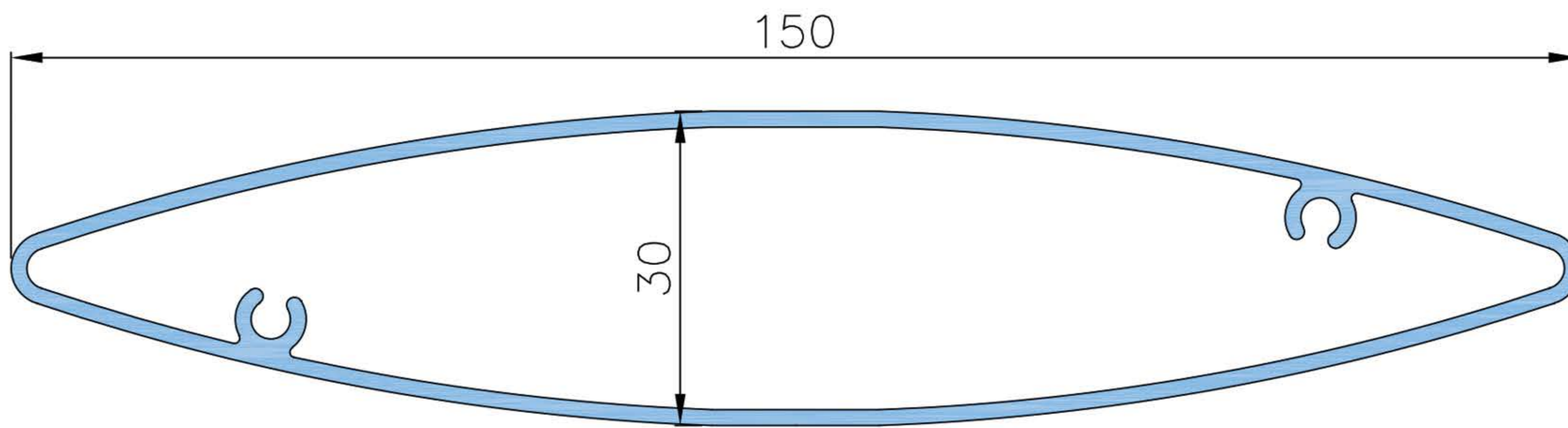
As Prospec Specialties' policy is one of continual progress for the improvement of the company's services to its customers, the company reserves the right to modify the specifications of its products without notice.



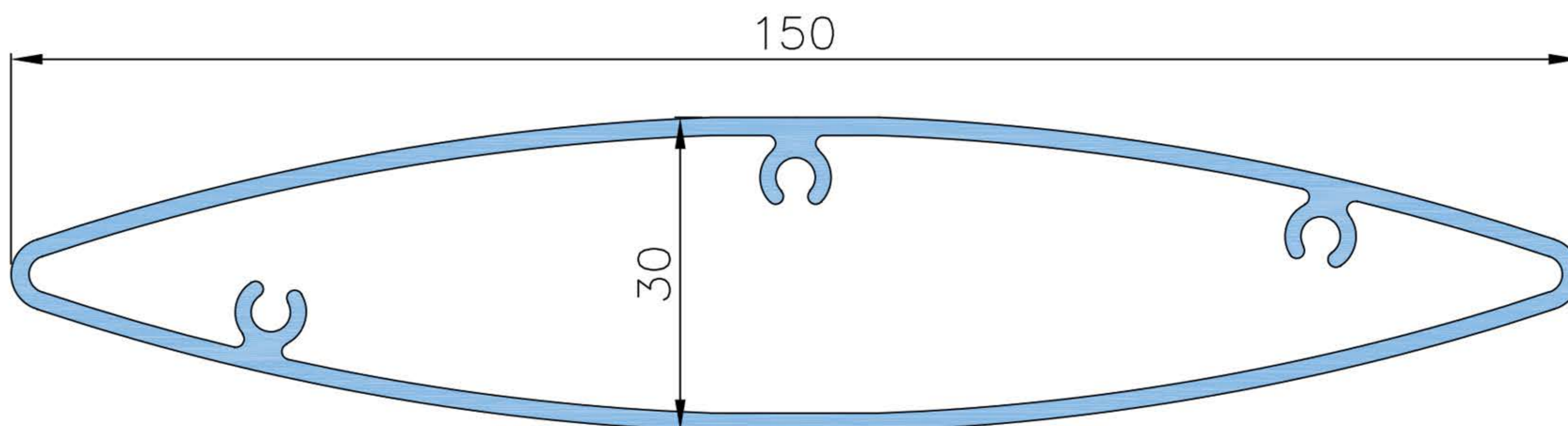
SBPWAE020172



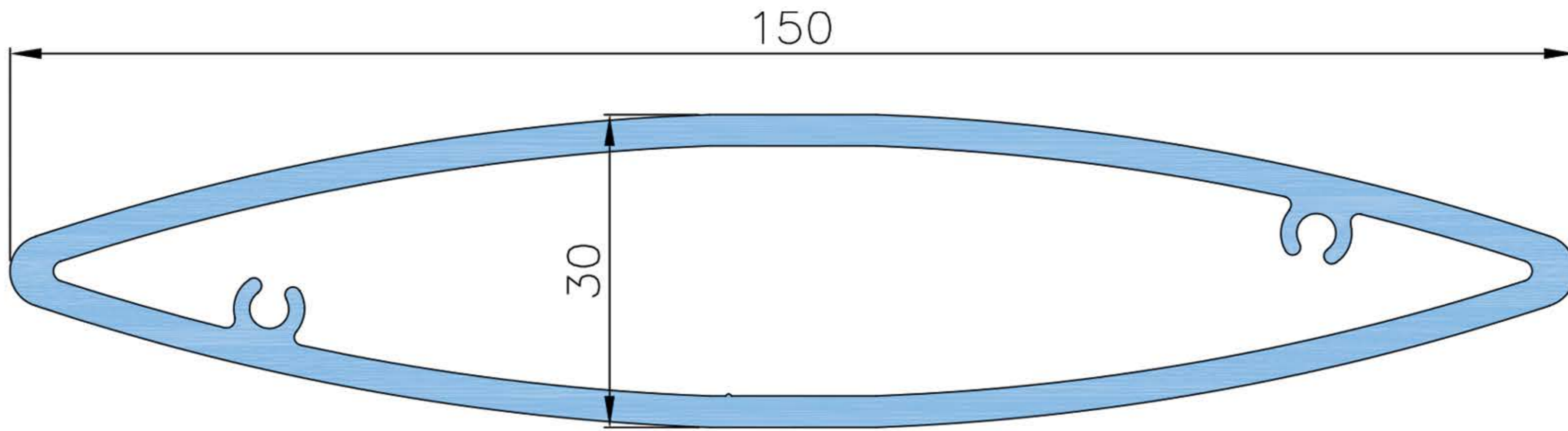
SBPWAE020173



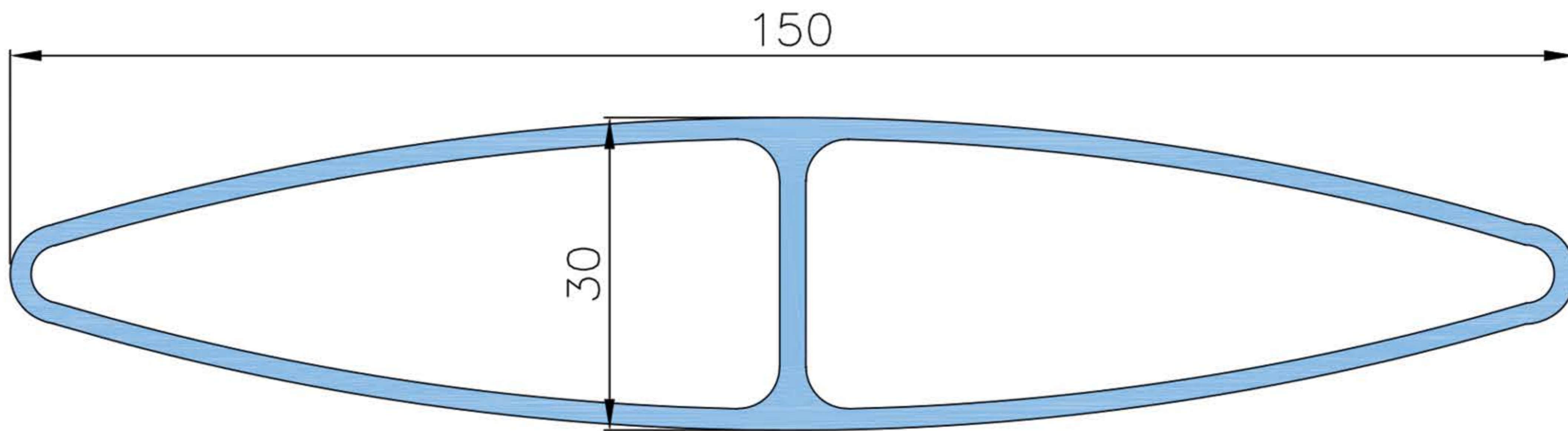
SBPWAE020397



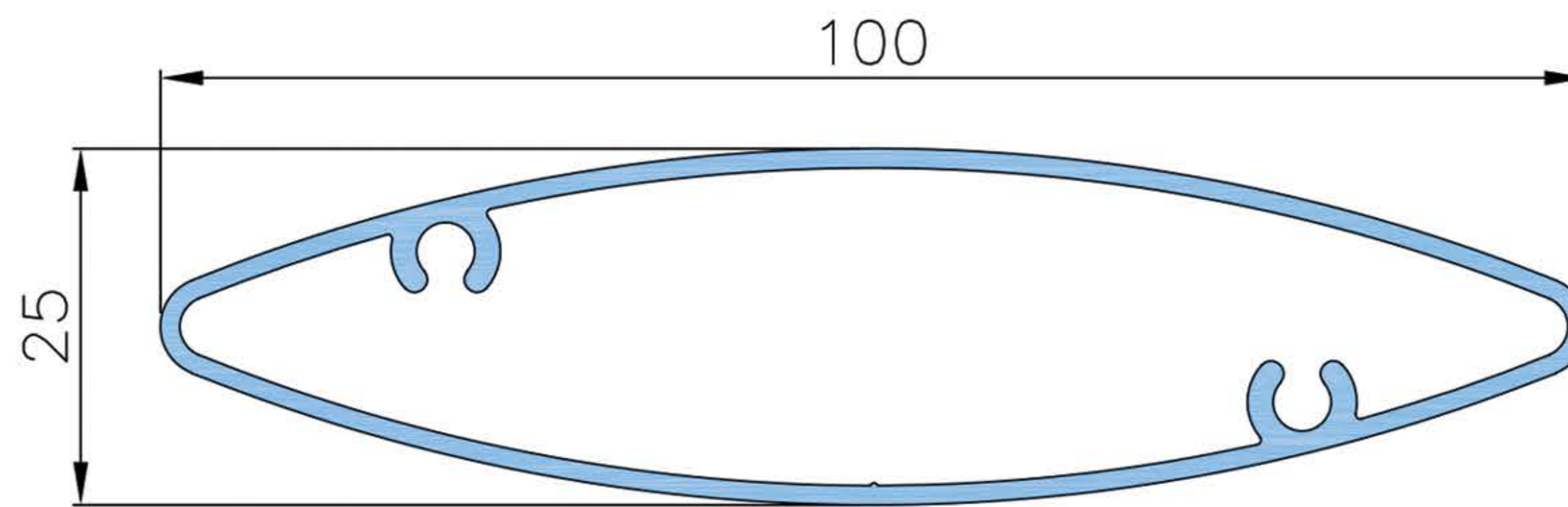
SBPEEF004229



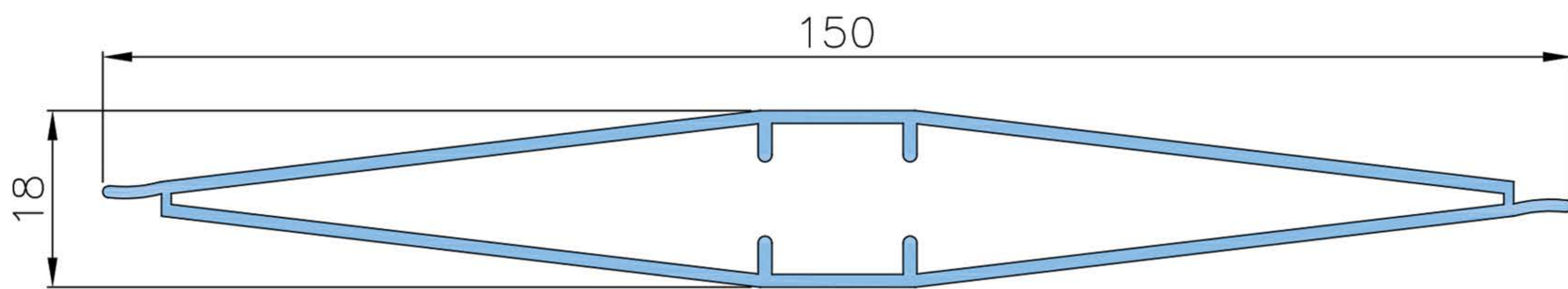
SBPEEFE11192



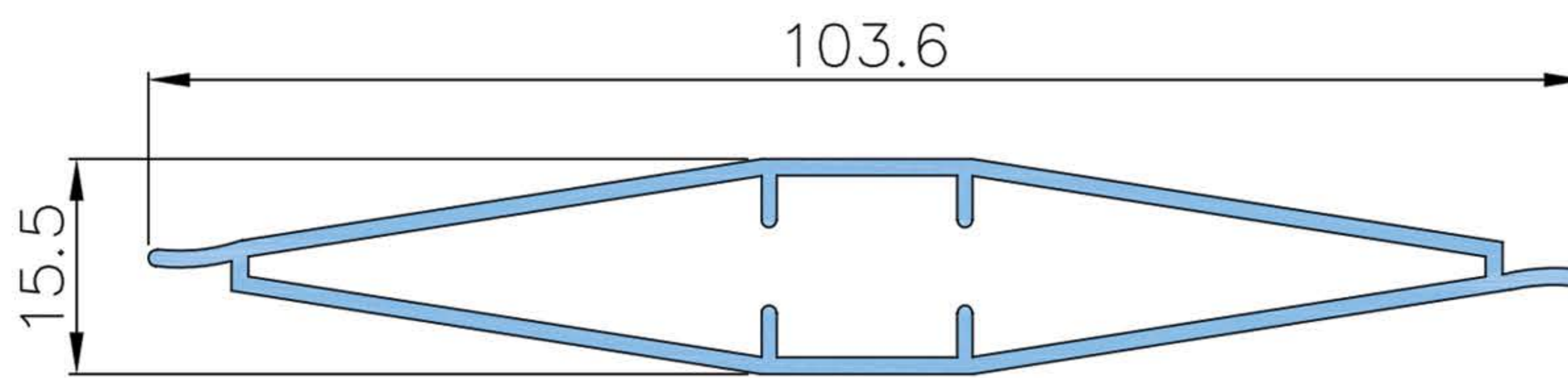
SBPEEF002851



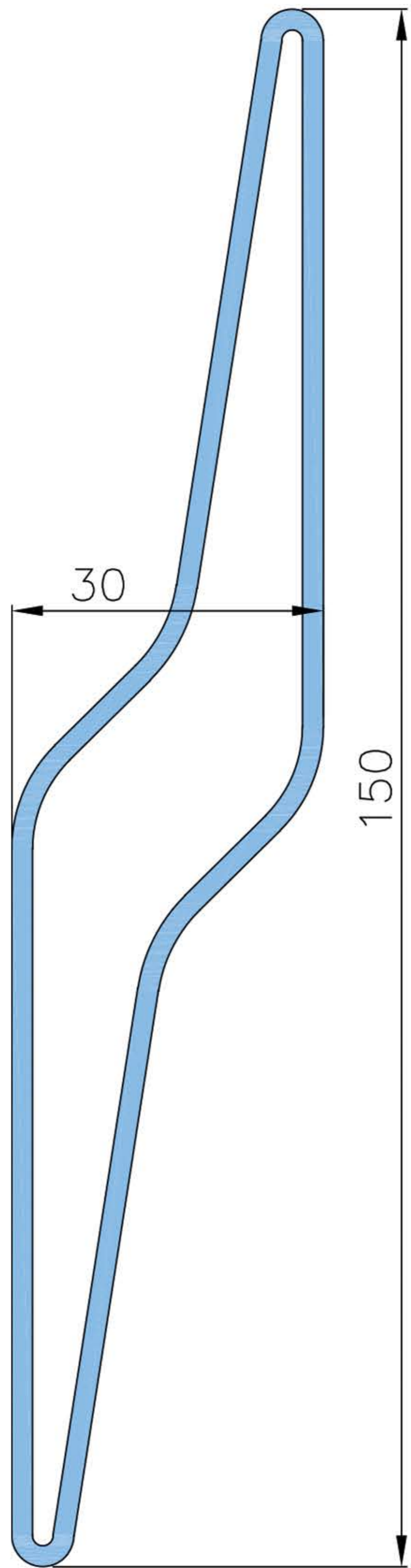
SBPEEF004630



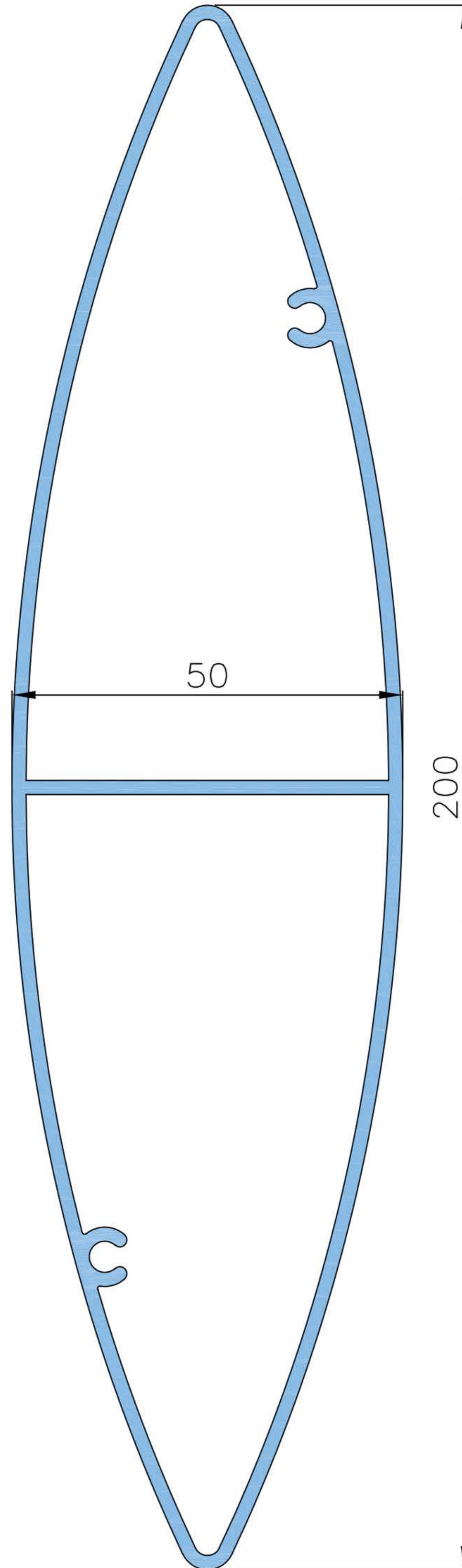
SBPWAE020386



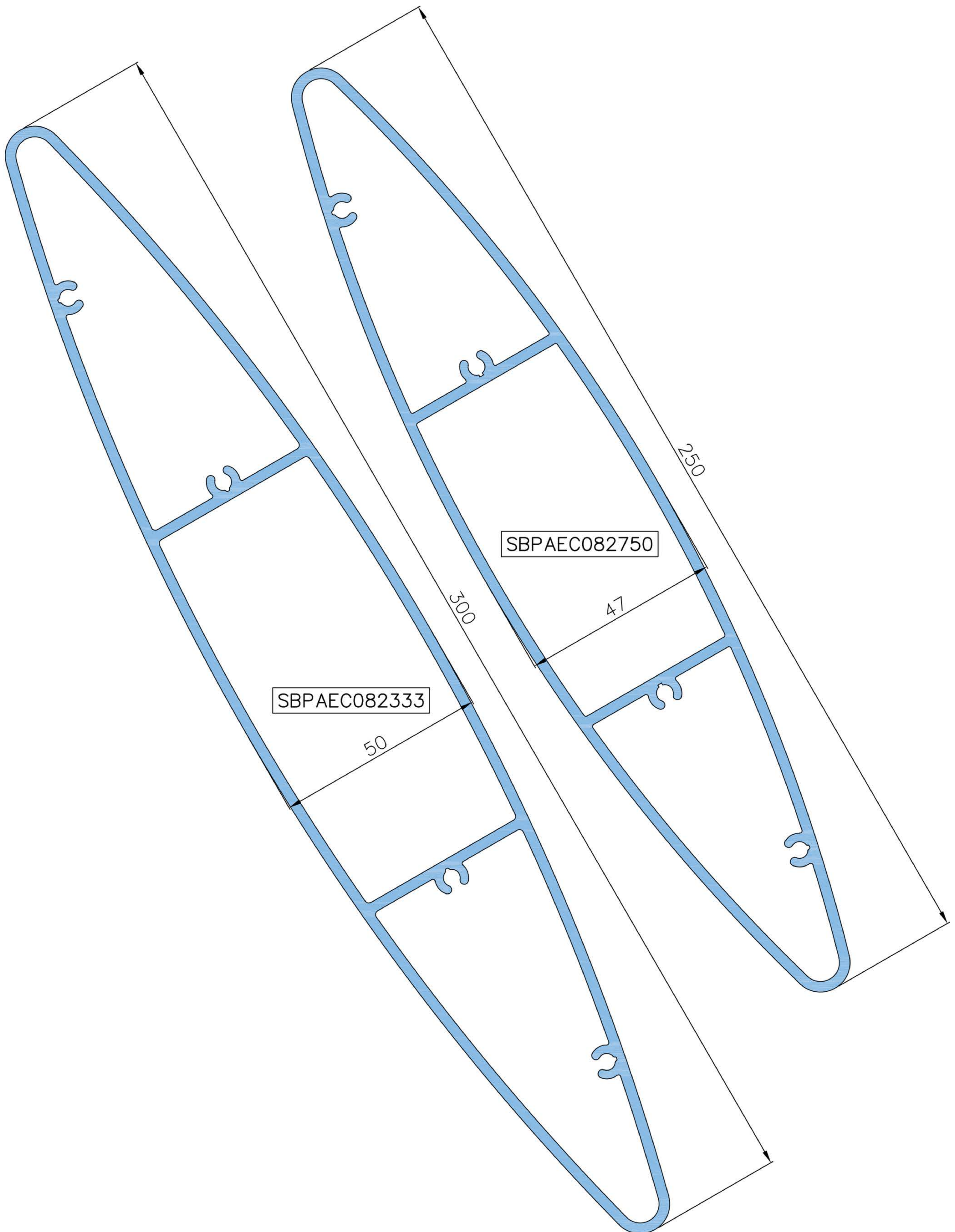
SBPWAE020389



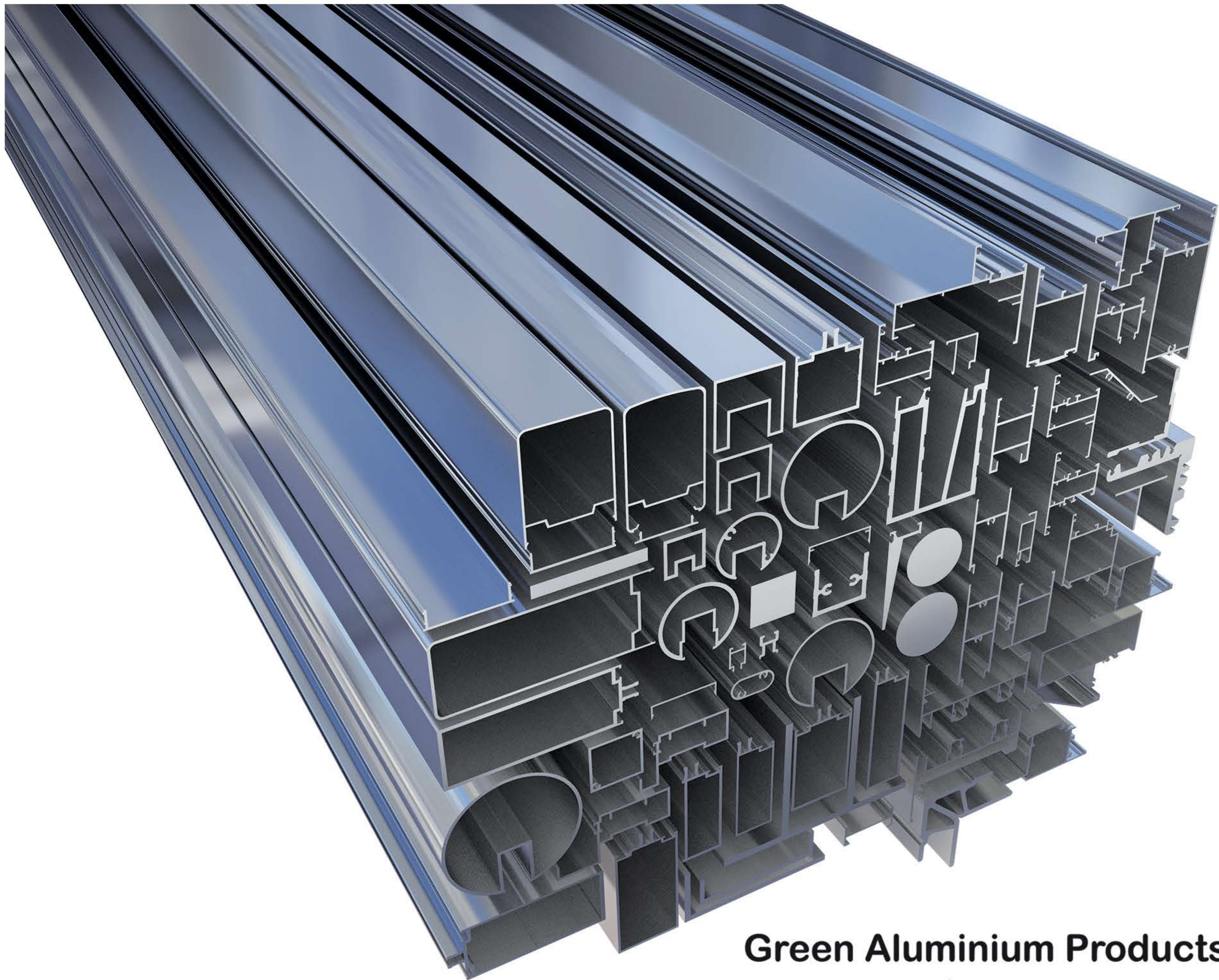
SBPEEF002888



SBPEEF004631







**Green Aluminium Products**



PROSPEC SPECIALTIES INC., CANADA

We, at Prospec Specialties Inc., strive to provide products that has minimum carbon footprint, this is achieved by utilizing Green Aluminium in our products and decentralizing the production facilities globally. Now our products come from factories in North America, Europe, Middle East & Asia.



**Canada**

26-5250, Satellite Drive,  
Mississauga, Ontario L4W 5G5  
Tel: +1 888 749 8456

**United Arab Emirates**

Q3-007, S.A.I.F. Zone, Sharjah  
Tel: +971 6 557 8661

**Australia**

10th Floor, Building 171  
Clarence Street, Sydney, NSW 2000  
Tel: +61 2 8072 0657

Corporate Email: [info@prospecspecialties.com](mailto:info@prospecspecialties.com)  
Website: [www.prospecspecialties.com](http://www.prospecspecialties.com)