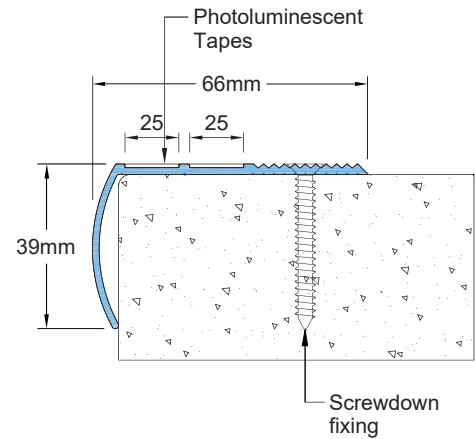
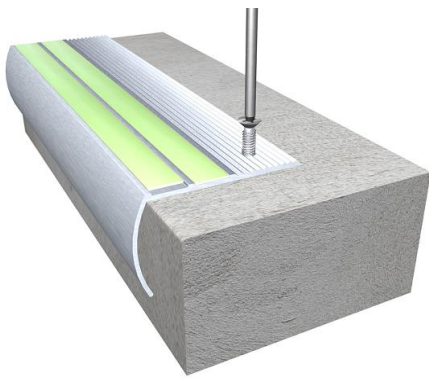


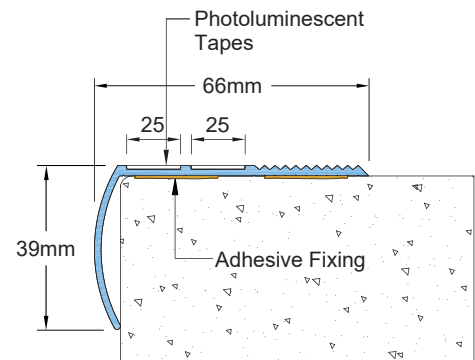
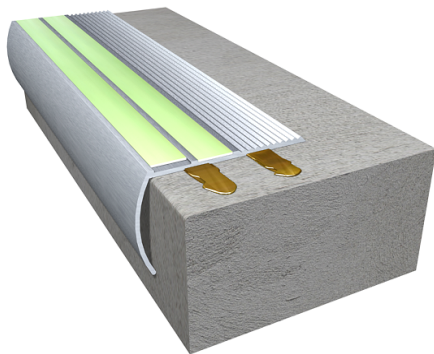
Features

- System designed for indoor application
- Designed for higher visibility in darkness
- Unique bull nose design for aesthetic appearance
- Double component nosing
- 2 numbers of 1" (25mm) wide photo-luminescent self-adhesive tapes installed for visibility in dark and a wide band of anti-slip serrated aluminum section for rapid response
- Best product in its range
- Retrofit design for easy installation
- Easy installation & maintenance
- 2-3/5" (66mm) tread area
- 1-13/25" (39mm) riser area
- Standard profile length 10' (3 meters)
- Factory cut & drilled option available
- Suitable for dry / wet anchoring
- Made of construction grade aluminum alloy 6063 T6

SNI 02 Screwdown Fixing



SNI 02 Adhesive Fixing



Color Options:



MILL FINISH



SILVER ANODIZED



TITANIUM FINISH



BRONZE FINISH

Special Note: Customer is encouraged to locally source anchors and construction grade external adhesive for fixing because the local conditions vary from country to country