

EE Series

Note: The structural gap and blockout dimensions has to be verified before beginning the installation. If the architectural joint system is fire rated, fire barrier has to be installed before the system. For specific system installation, refer to the fire barrier installation instructions.

1. Install the architectural joint system on a level surface. Blockout, based on the required width and depth of each system. This may require adding concrete to raise the tops of the frames if required.
2. Cut the aluminum components to the desired length.

Figure 1

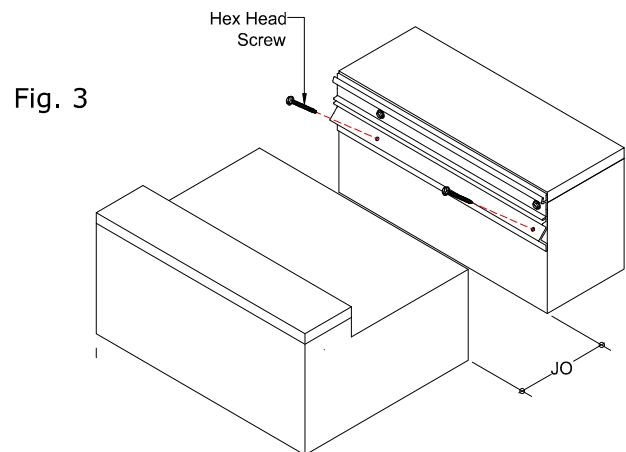
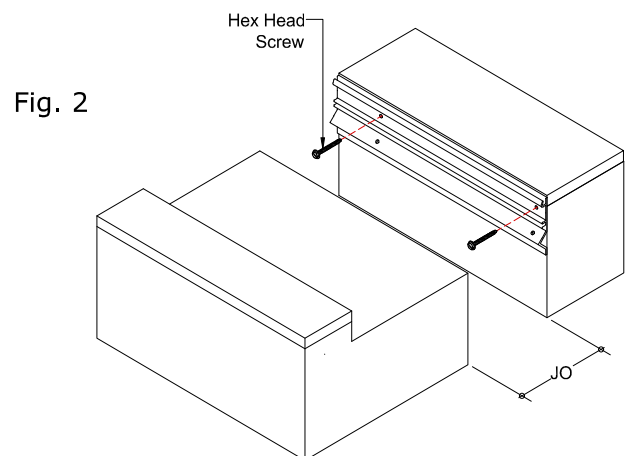
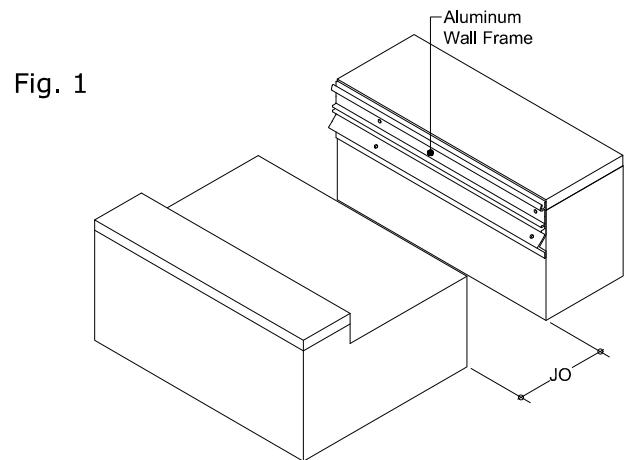
3. Position the aluminum wall frame in the structural gap at the appropriate height. Top of wall frame should be flush with the top of finished floor. Mark the top pre-drilled hole locations on the substrate and remove the wall frame from the structural gap. Drill all marked holes using 3/16" (4.7mm) drill bit to 2" (50mm) depth.

Figure 2

4. Return the aluminum wall frame to the structural gap and secure in place with hex head concrete screw through the pre-drilled frame holes over the drilled hole locations in the substrate.

Figure 3

5. Drill holes in the lower row using 3/16" (4.7mm) drill bit to 2" (50mm) depth through the pre-drilled frame holes locations on the aluminum wall frame as a guide and secure with hex head concrete screws.



EE Series

Figure 4

6. Position the continuous aluminum recessed frame in the blockout and mark the pre-drilled hole locations on the substrate and remove the recessed frame from the blockout. Drill the marked holes using 3/16" (4.7mm) drill bit.

Return the continuous aluminum recessed frame to the blockout and secure in place with hex head concrete screw through the pre-drilled frame holes over the drilled hole locations in the substrate.

Fig. 4

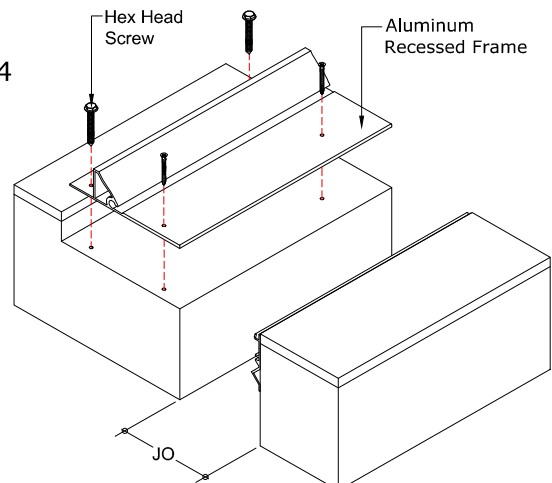


Figure 5

7. Assemble the aluminum pan assembly:

a. Insert the continuous aluminum pan frame with the pre-drilled holes on the aluminum center pan plate and secure in place using pan head fastener tightly.

b. Position the continuous aluminum hinge frame with the pre-drilled holes through the aluminum center pan plate drilled holes and secure in place using 1/4-20 x 1" (25mm) flat head fastener, washer and aluminum lock nut. Ensure the nut is tightly threaded on to the flat head fastener.

Fig. 5

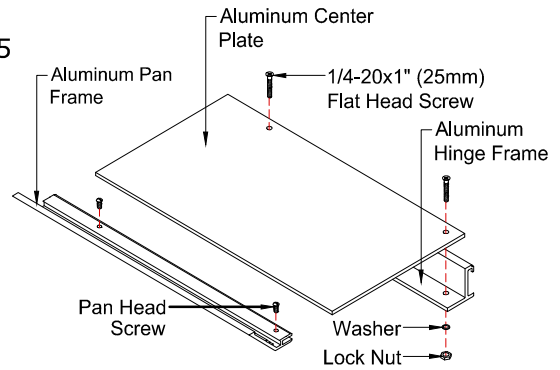
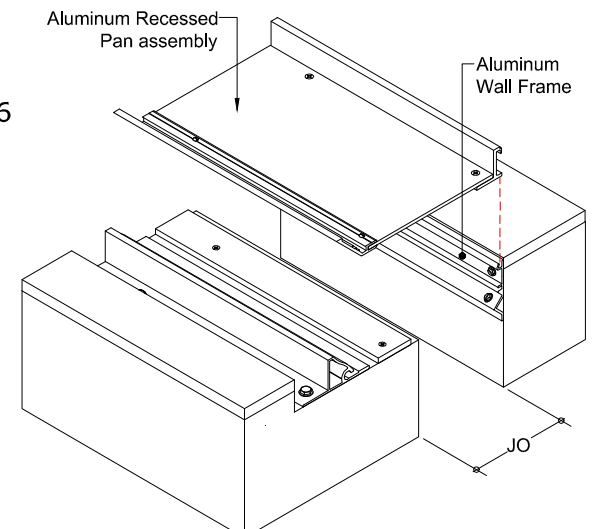


Figure 6

8. Place aluminum pan assembly into the continuous aluminum wall frame.

Fig. 6



EE Series

Figure 7

9. Backfill the blockout with high strength non-shrink epoxy grout (by others). Install the floor finish level to the top of the frame.

Figure 8

10. Insert backer rod gaps between both frames to 1/4" (6mm) depth below the top of the frame.

Figure 9

11. Install sealant as per the manufacturer's recommended instructions over the backer rod and top of wall frame until it is flush with the exposed top level of the frames.

Figure 10

12. Install floor finish up to the exposed top level of the frames.

13. Clean the exposed surfaces with a non-solvent cleaner as required.

Fig. 7

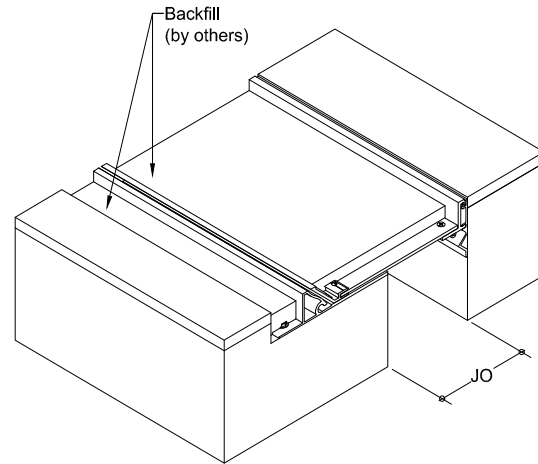


Fig. 8

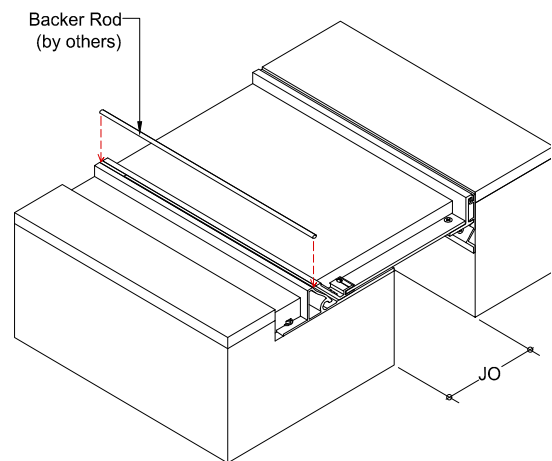


Fig. 9

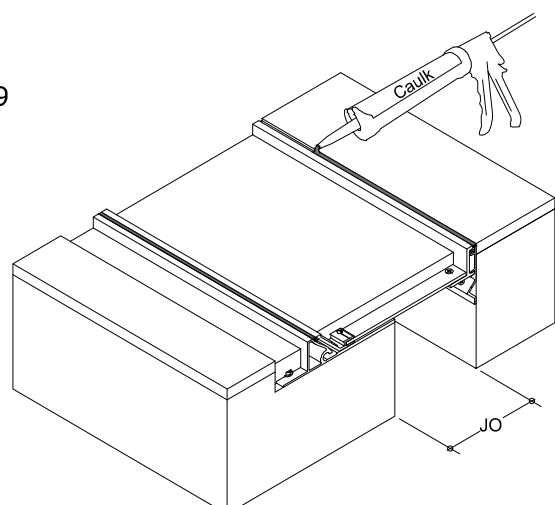


Fig. 10

