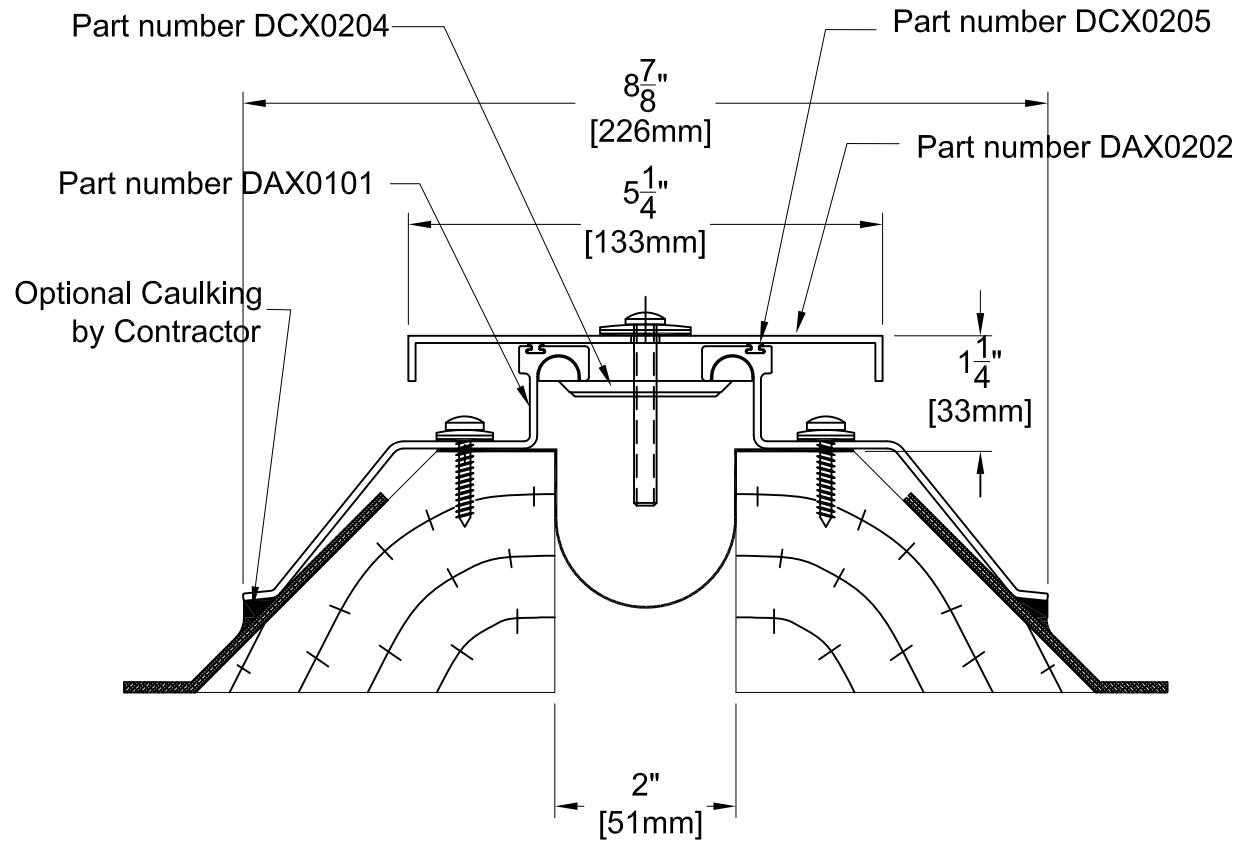


DAS02 SYSTEM



TECHNICAL DATA	IMPERIAL (in)	METRIC (mm)
Joint Width	2"	51
Movement ± (Horizontal)	1"	25
Movement ± (Vertical)	1"	25

Date: Feb., 2013 Scale: NTS
 Rev: Drawn by : NP

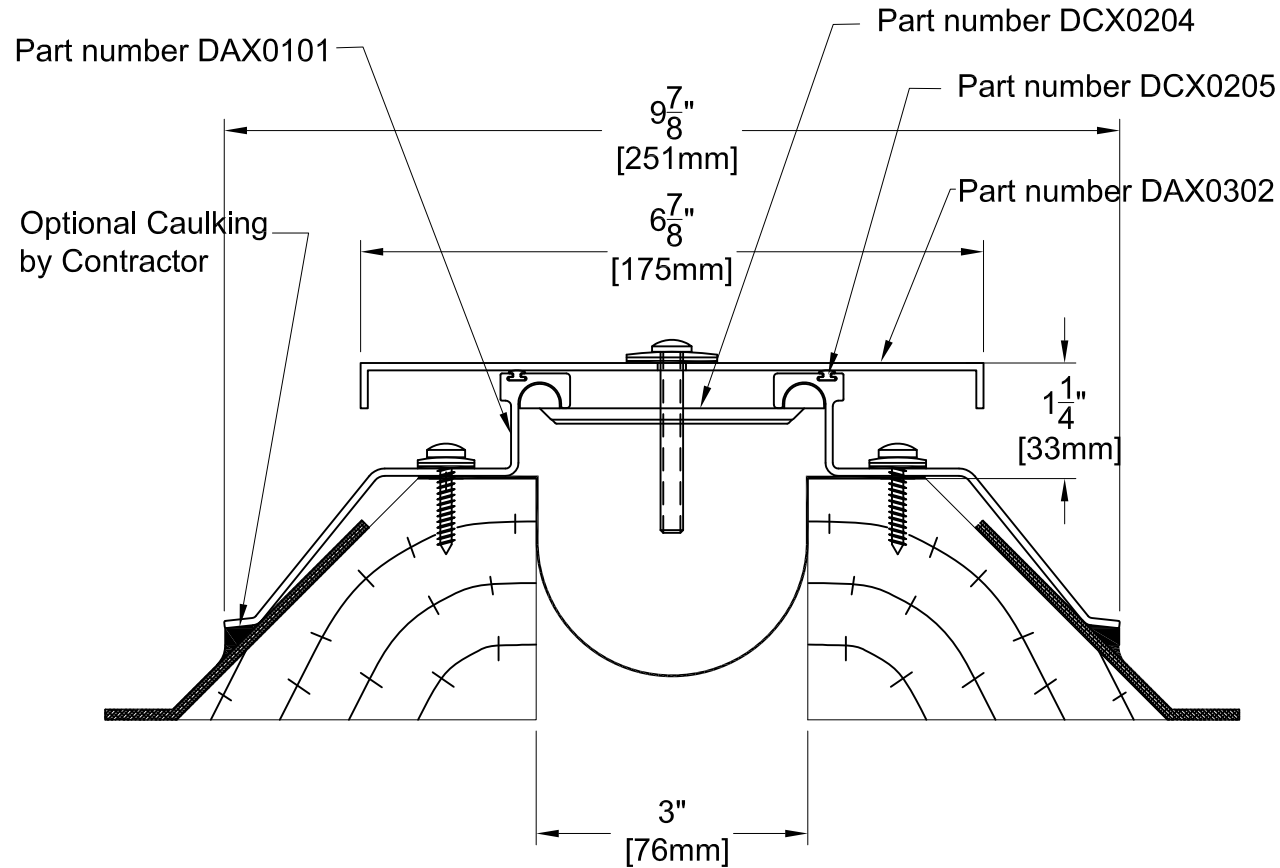
Application: Expansion Joint Cover for Roof to Roof Condition



PROSPEC SPECIALTIES INC.
 3601 HIGHWAY 7, SUITE 400
 MARKHAM ON L3R 0M3, CANADA.
 Tel: (888) - 749 - 8456,
 Fax: (888) - 749 - 8455
 Email: info@prospecspecialties.com
 Web: prospecspecialties.com

Disclaimer: As Prospec Specialties' Policy is one of continual technical progress for the improvement of the company's services to its customers, the company reserves the right to modify the Designs of its products without notice.

DAS03 SYSTEM



TECHNICAL DATA	IMPERIAL (in)	METRIC (mm)
Joint Width	3"	76
Movement ± (Horizontal)	1-1/2"	38
Movement ± (Vertical)	1-1/2"	38

Date: Feb., 2013 Scale: NTS
 Rev: Drawn by : NP

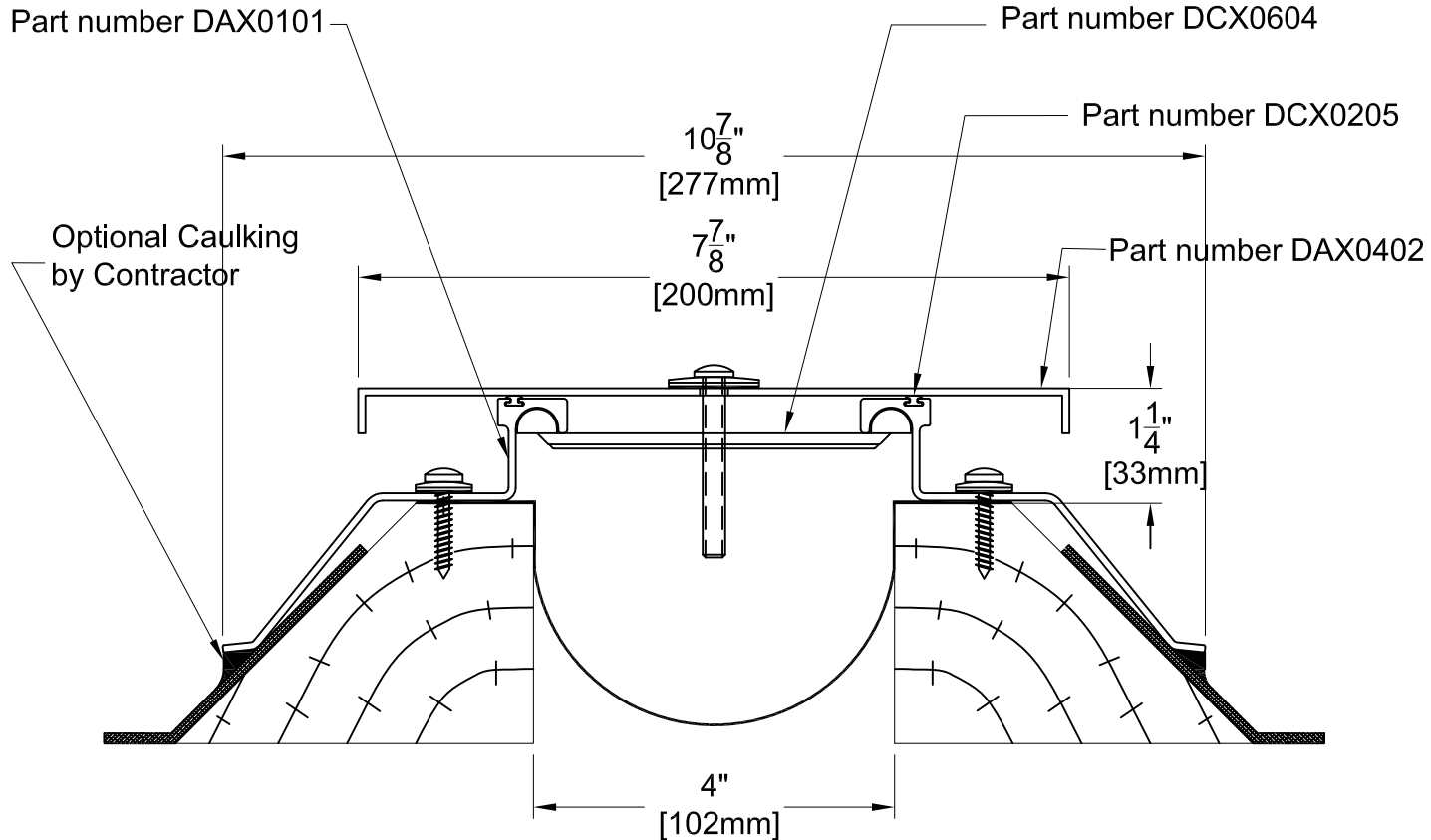
Application: Expansion Joint Cover for Roof to Roof Condition



PROSPEC SPECIALTIES INC.
 3601 HIGHWAY 7, SUITE 400
 MARKHAM ON L3R 0M3, CANADA.
 Tel: (888) - 749 - 8456,
 Fax: (888) - 749 - 8455
 Email: info@prospecspecialties.com
 Web: prospecspecialties.com

Disclaimer: As Prospec Specialties' Policy is one of continual technical progress for the improvement of the company's services to its customers, the company reserves the right to modify the Designs of its products without notice.

DAS04 SYSTEM



TECHNICAL DATA	IMPERIAL (in)	METRIC (mm)
Joint Width	4"	102
Movement ± (Horizontal)	2"	51
Movement ± (Vertical)	2"	51

Date: Feb., 2013 Scale: NTS
 Rev: Drawn by: NP

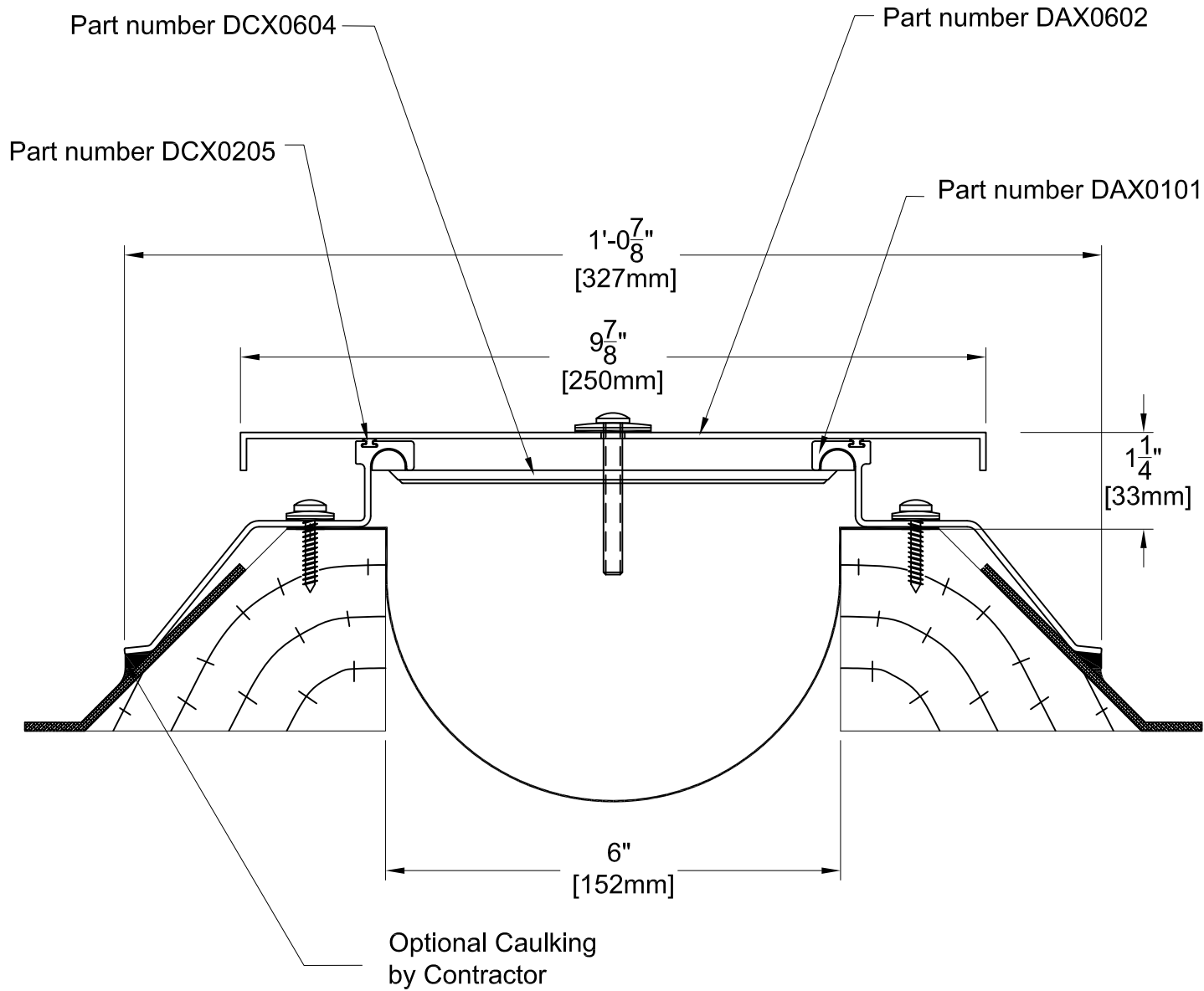
Application: Expansion Joint Cover for Roof to Roof Condition



PROSPEC SPECIALTIES INC.
 3601 HIGHWAY 7, SUITE 400
 MARKHAM ON L3R 0M3, CANADA.
 Tel: (888) - 749 - 8456,
 Fax: (888) - 749 - 8455
 Email: info@prospecspecialties.com
 Web: prospecspecialties.com

Disclaimer: As Prospec Specialties' Policy is one of continual technical progress for the improvement of the company's services to its customers, the company reserves the right to modify the Designs of its products without notice.

DAS06 SYSTEM



TECHNICAL DATA	IMPERIAL (in)	METRIC (mm)
Joint Width	6"	152
Movement ± (Horizontal)	3"	76
Movement ± (Vertical)	3"	76

Date: Feb., 2013 Scale: NTS
 Rev: Drawn by: NP

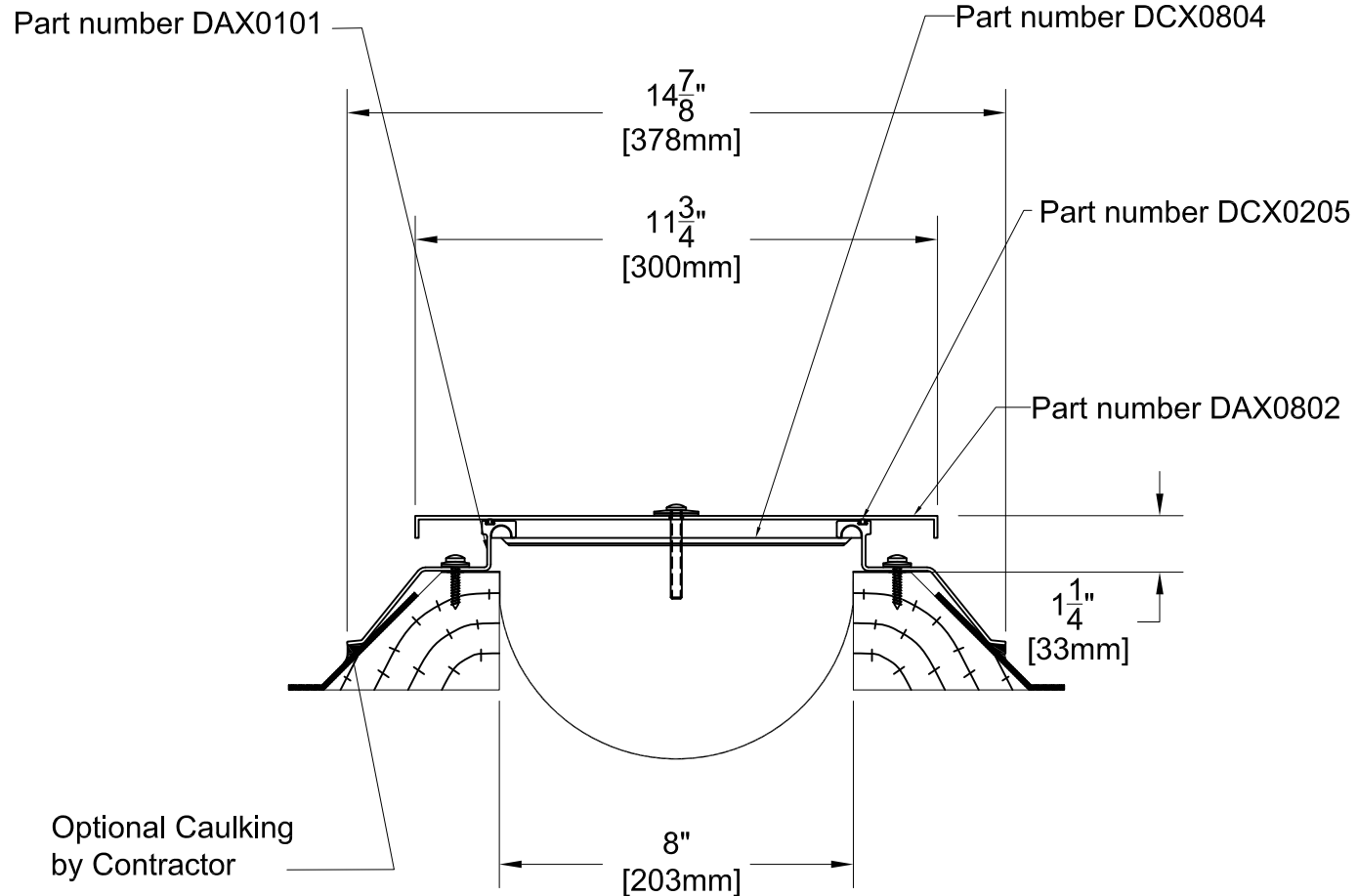
Application: Expansion Joint Cover for Roof to Roof Condition



PROSPEC SPECIALTIES INC.
 3601 HIGHWAY 7, SUITE 400
 MARKHAM ON L3R 0M3, CANADA.
 Tel: (888) - 749 - 8456,
 Fax: (888) - 749 - 8455
 Email: info@prospecspecialties.com
 Web: prospecspecialties.com

Disclaimer: As Prospec Specialties' Policy is one of continual technical progress for the improvement of the company's services to its customers, the company reserves the right to modify the Designs of its products without notice.

DAS08 SYSTEM



TECHNICAL DATA	IMPERIAL (in)	METRIC (mm)
Joint Width	8"	203
Movement ± (Horizontal)	4"	102
Movement ± (Vertical)	4"	102

Date: Feb., 2013 Scale: NTS
 Rev: Drawn by : NP

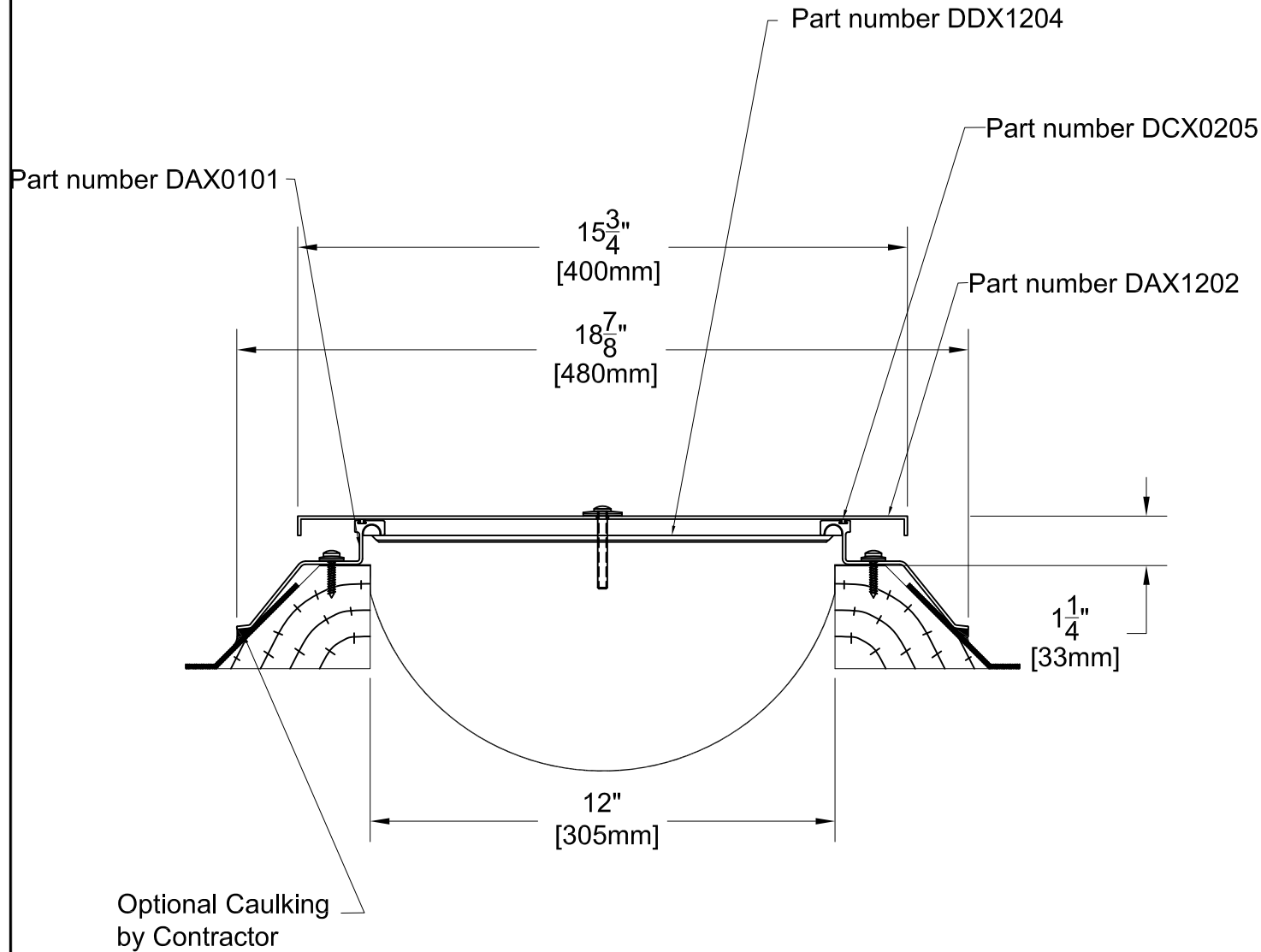
Application: Expansion Joint Cover for Roof to Roof Condition



PROSPEC SPECIALTIES INC.
 3601 HIGHWAY 7, SUITE 400
 MARKHAM ON L3R 0M3, CANADA.
 Tel: (888) - 749 - 8456,
 Fax: (888) - 749 - 8455
 Email: info@prospecspecialties.com
 Web: prospecspecialties.com

Disclaimer: As Prospec Specialties' Policy is one of continual technical progress for the improvement of the company's services to its customers, the company reserves the right to modify the Designs of its products without notice.

DAS12 SYSTEM



TECHNICAL DATA	IMPERIAL (in)	METRIC (mm)
Joint Width	12"	305
Movement ± (Horizontal)	6"	152
Movement ± (Vertical)	6"	152

Date: Feb., 2013 Scale: NTS
 Rev: Drawn by : NP

Application: Expansion Joint Cover for Roof to Roof Condition



PROSPEC SPECIALTIES INC.
 3601 HIGHWAY 7, SUITE 400
 MARKHAM ON L3R 0M3, CANADA.
 Tel: (888) - 749 - 8456,
 Fax: (888) - 749 - 8455
 Email: info@prospecspecialties.com
 Web: prospecspecialties.com

Disclaimer: As Prospec Specialties' Policy is one of continual technical progress for the improvement of the company's services to its customers, the company reserves the right to modify the Designs of its products without notice.