

BVC Series

Note: Verify that the structural gap and blockout dimensions are in conformance with submittal data before beginning installation. If this is a Fire Rated Assembly, the fire barrier must be installed before the Architectural Joint System. Refer to the fire barrier instructions for specific system installation.

Fig. 1

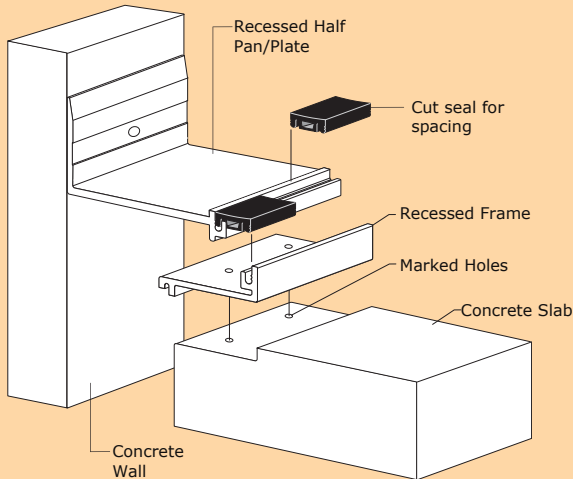


Fig. 2.

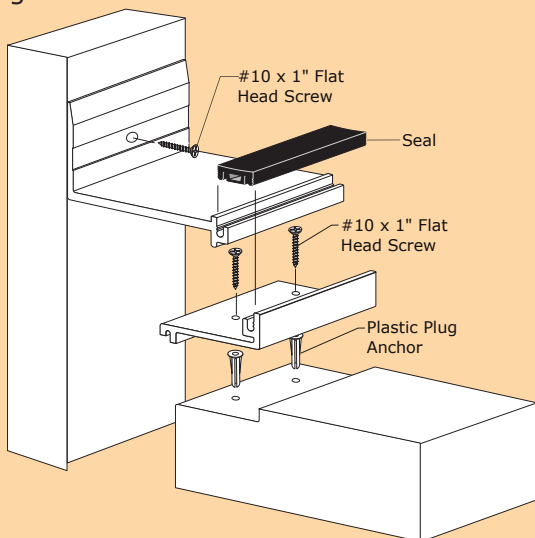
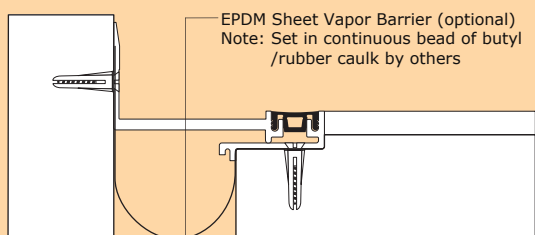


Fig. 2a.



1. Install the architectural joint system on a level surface within the blockout. To determine blockout depth, deduct thickness of floor finish from frame height. Make sure top of frame is level with the finished floor height. This may require adding leveling compound to raise the tops of the frames.

Figure 1

2. Cut the aluminum frames to the desired length.
3. Place the floor frame in the blockout so that the angle of the base leg is against the side of the structural gap.
4. Mark the pre-drilled hole locations on the substrate.
5. Remove the floor frame from the blockout.

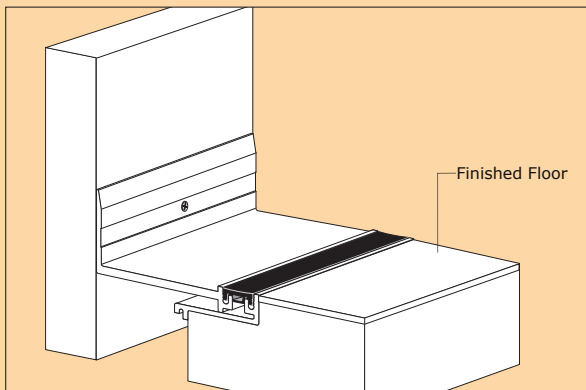
Figure 2

6. Drill holes in the blockout using a 1/4" (6mm) concrete drill bit to 1- 1/8" (30mm) depth. Insert plastic plug anchors.
 - 6a. Optional EPDM Vapor Barrier: Lay continuous bead of butyl rubber caulk in both sides of the blockout. Starting at one end of the frame assembly, place vapor barrier evenly in blockout allowing the excess material to drape into the structural gap. If necessary, vapor barrier may be fastened to substrate with masonry nails. Fold ends up or weep out. (See Figure 2a)
7. Return the floor frame in position over the drilled hole locations and secure in place using one 1" flat head screw for each plastic plug.

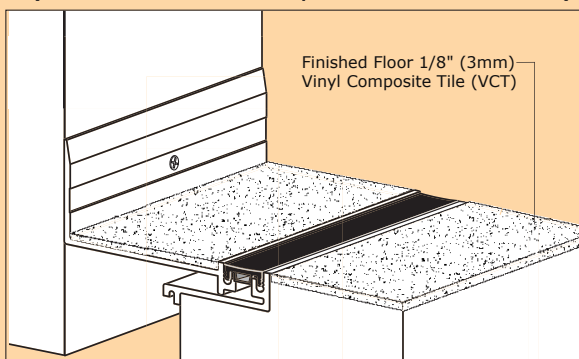


PROSPEC SPECIALTIES INC. 3601 HIGHWAY 7,
SUITE 400, MARKHAM ON L3R 0M3 CANADA

Fig. 3



(Floor to Wall completed installation)



8. Place the aluminum half pan/plate firmly against the finished wall with the base leg resting on the floor frame. Align level.
9. Mark the pre-drilled hole locations from the vertical leg of the half pan/plate on the wall substrate.
10. Remove the half pan/plate from the wall.
11. Drill all marked holes using 1/4" (6mm) drill bit to 1- 1/8" (30mm) depth. Insert plastic plug anchors.
12. Return the half pan/plate into position over the drilled hole locations and secure in place using one 1" flat head screw for each plastic plug.
13. Insert the seals into the recessed frame slots until the seal is flush with the top of the frame.

NOTE: To assist in installing the seal, apply a mist of soapy water solution to the back of the seal. A 1" wide seam roller may be used to fully engage the seal ears into the frame slots.

Figure 3

14. Backfill the blockout and install the floor finish level to the top of the recessed frame and half pan/plate. Clean the exposed surfaces with a non-solvent cleaner as required.