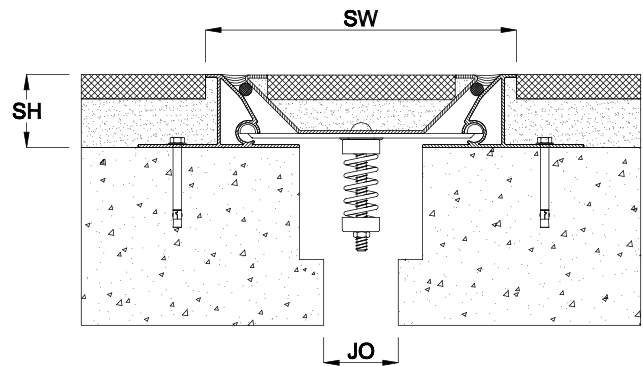


## Features

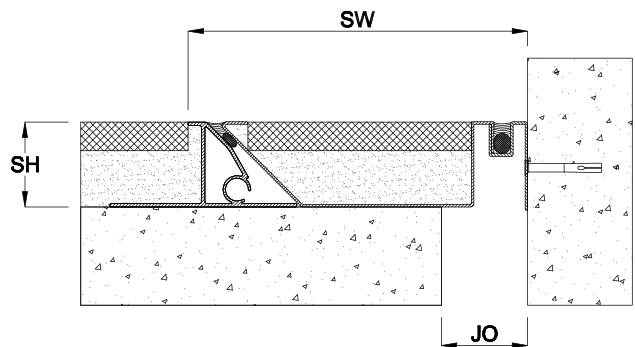
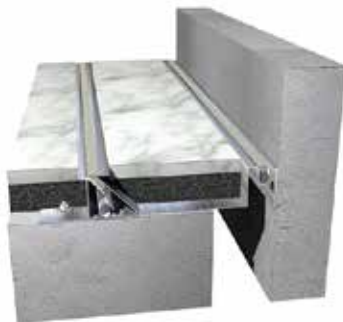
- System designed to be installed in recessed floor
- Available in 304 or 316 grade, Stainless Steel
- Steel central flange allows swift shift between positive and negative movements
- Negligible sight line makes system popular
- Seismic Pan System for accommodating various floor finishes
- Specially designed spring assembly under pan provides swift correction after seismic movement and silent passage to pedestrians and wheels
- System allows full seismic movements
- System allows excellent shear movement
- Load rated subject to joint opening
- ADA compliant
- Vapor and Fire Barriers are optionally available

### Straight Application ESS

- ES Series
- INT. Application
- Seismic Movement
- FLOOR USE



### Corner Application ESC



## Details

Usage : Internal Floor

Joint width : 2" - 8"

Optional : Vapor/Fire Barrier

Application	Code	JO	SH	SW	± Movement (%)			Load (Ton)
					Millimeter			
Straight (S)	ESS 02	51	50	206	100	12.5	Excellent	3
	ESS 03	76	50	231	100	12.5	Excellent	2
	ESS 04	102	50	257	100	12.5	Excellent	1
	ESS 06	152	50	308	100	12.5	Excellent	1
	ESS 08	203	50	359	100	12.5	Excellent	1
Corner (C)	ESC 02	51	50	206	100	12.5	Excellent	3
	ESC 03	76	50	231	100	12.5	Excellent	2
	ESC 04	102	50	257	100	12.5	Excellent	1
	ESC 06	152	50	308	100	12.5	Excellent	1
	ESC 08	203	50	359	100	12.5	Excellent	1