

Product and Company Identification

Product Name: **AL Series**
 Manufacturer's Name: **Prospec Specialties Inc.**
 Suite 400, 3601, Highway 7,
 Markham ON, L3R 0M3, Canada
 Emergency #: (888) 749-8456
 Date Prepared: June, 2013

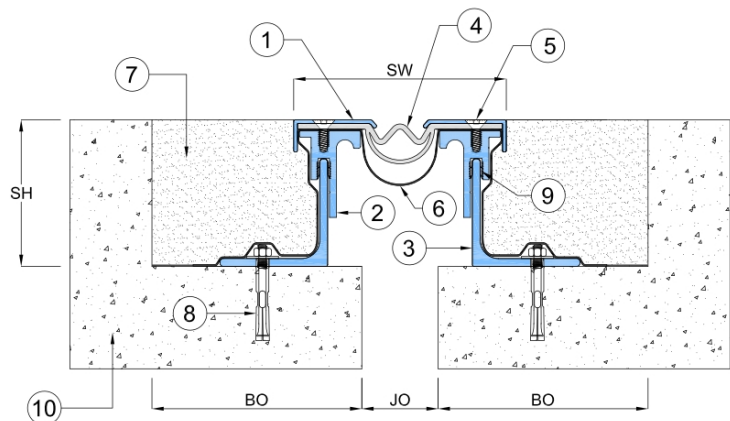
Table 1: System Details

Application	Code	JO	SH	SW	BO	± Movement (%)		Load (Ton)
		Millimeter				Horizontal	Vertical	
Straight (S)	ALS 01	25	70/80/105	122	210	50	50	5
	ALS 02	51	70/80/105	143	210	50	50	5
	ALS 03	76	70/80/105	170	210	50	50	5
	ALS 04	102	70/80/105	194	210	50	50	5
Corner (C)	ALC 01	25	70/80/105	74	210	50	50	5
	ALC 02	51	70/80/105	96	210	50	50	5
	ALC 03	76	70/80/105	123	210	50	50	5
	ALC 04	102	70/80/105	148	210	50	50	5

JO = Joint Opening **SH** = System Height **SW** = Sight Width **BO** = Blockout (min.)

Key to System Features (Straight Application)

1. Continuous Aluminum top, grade 6063-T6
2. Continuous Aluminum Frame, grade 6063-T6
3. Continuous Aluminum Angle frame, grade 6063-T6
4. Continuous Neoprene Gasket
5. Allen Key fixing Hex. Head Countersunk screw
6. Secondary Seal to be fused with water proofing membrane
7. Concrete Screed (by others)
8. Fixing Screw (by others)
9. Metal clip
10. Concrete floor (by others)



Key to System Features (Corner Application)

- | | |
|---|--|
| <ol style="list-style-type: none"> 1. Continuous Aluminum Top, grade 6063-T6 2. Continuous Aluminum Frame, grade 6063-T6 3. Continuous Aluminum Angle frame, grade 6063-T6 4. Continuous Neoprene Gasket 5. Allen Key fixing Hex. Head Countersunk screw | <ol style="list-style-type: none"> 6. Secondary Seal to be fused with water proofing membrane 7. Concrete Screed (by others) 8. Fixing Screw (by others) 9. Metal clip 10. Concrete floor (by others) 11. Continuous Metal Flashing 12. Flat Head Concrete Screw with Plug (by others) 13. Concrete wall (by others) |
|---|--|

