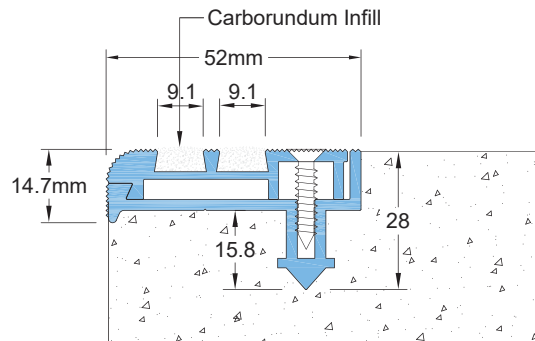


Features

- System designed for indoor/outdoor application
- Triple component nosing
- Heavy nosing design and in-situ installation makes this product most desirable for heavy duty applications
- Mixture of carborundum chips and epoxy is filled in 9/25" (9.1mm) wide compartments for robust design and rapid response
- Unique top design, that can be easily replaced during maintenance phase, without disrupting the traffic or causing damage to the stair
- In-situ installation designed for use with poured or precast concrete, terrazzo, steel pan cement filled stairs
- Easy installation & maintenance
- 2" (52mm) tread area
- 29/50" (14.7mm) riser area
- Standard profile length 10'(3 meters)
- Factory cut option available
- Made of construction grade aluminum alloy 6063 T6
- Suitable for heavy-duty pedestrian traffic

SNH 02



Color Options:



MILL FINISH

Special Note: Customer is encouraged to locally source anchors and construction grade external adhesive for fixing because the local conditions vary from country to country