

Product and Company Identification

Product Name: **WG Series**
 Manufacturer's Name: **Prospec Specialties Inc.**
 Suite 400, 3601, Highway 7,
 Markham ON, L3R 0M3, Canada
 Emergency #: (888) 749-8456
 Date Prepared: June, 2013

Table 1: System Details

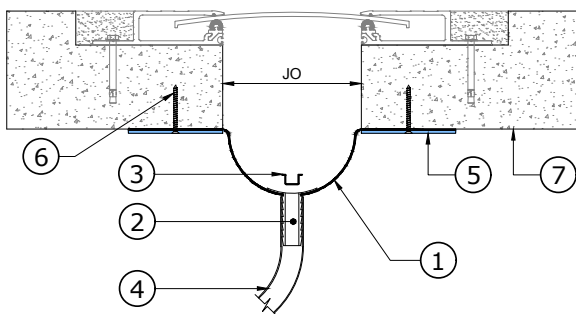
Application	Code	JO	SH	SW	± Movement (%)			Load (Ton)
		Millimeter			Horizontal	Vertical	Shear	
Straight & Corner Application	WGS 02	51	*	*	*	*	*	*
	WGS 03	76	*	*	*	*	*	*
	WGS 04	102	*	*	*	*	*	*
	WGS 06	152	*	*	*	*	*	*
	WGS 08	203	*	*	*	*	*	*
	WGS 10	254	*	*	*	*	*	*
	WGS 12	305	*	*	*	*	*	*

JO = Joint Opening **SH** = System Height **SW** = Sight Width

Key to System Features (Straight Application)

1. Neoprene Rubber Membrane Water Gutter
2. Drain Outlet
3. PVC Plug
4. Flexible Hose (by others)
5. Aluminum Retainer
6. Concrete Screw (by others)
7. Concrete Slab (by others)

Under-Slab Installation



Floor Installation

