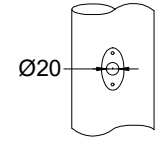
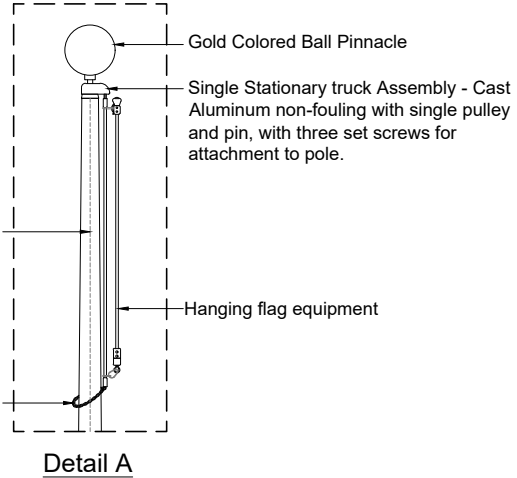
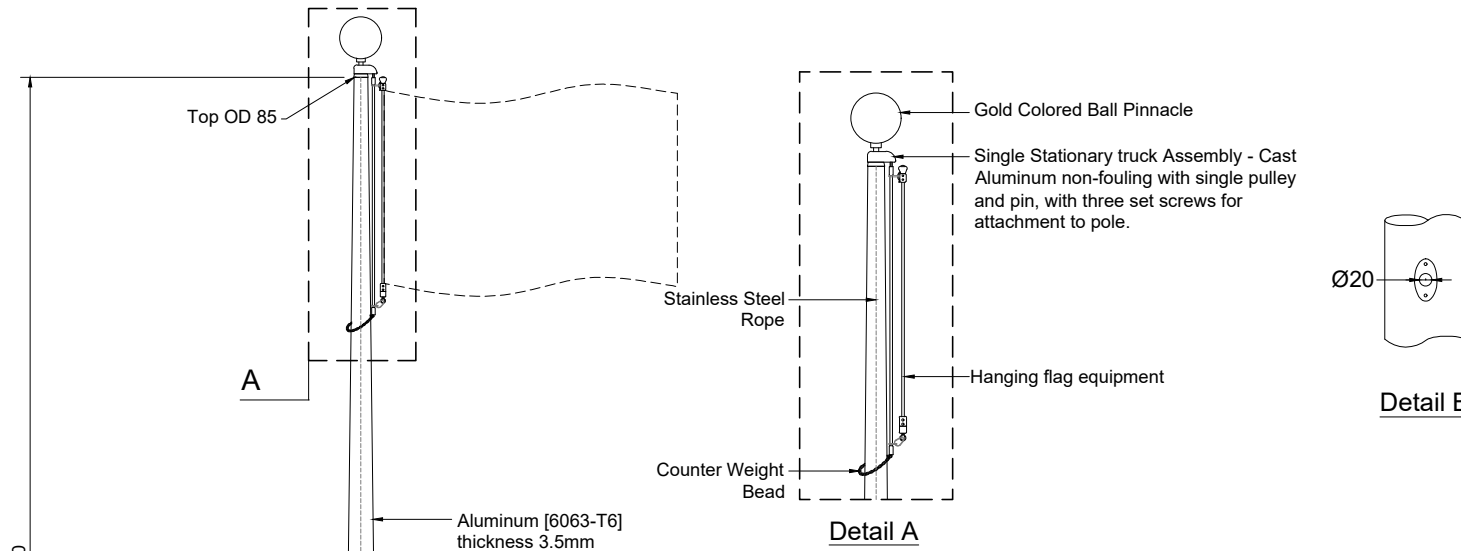
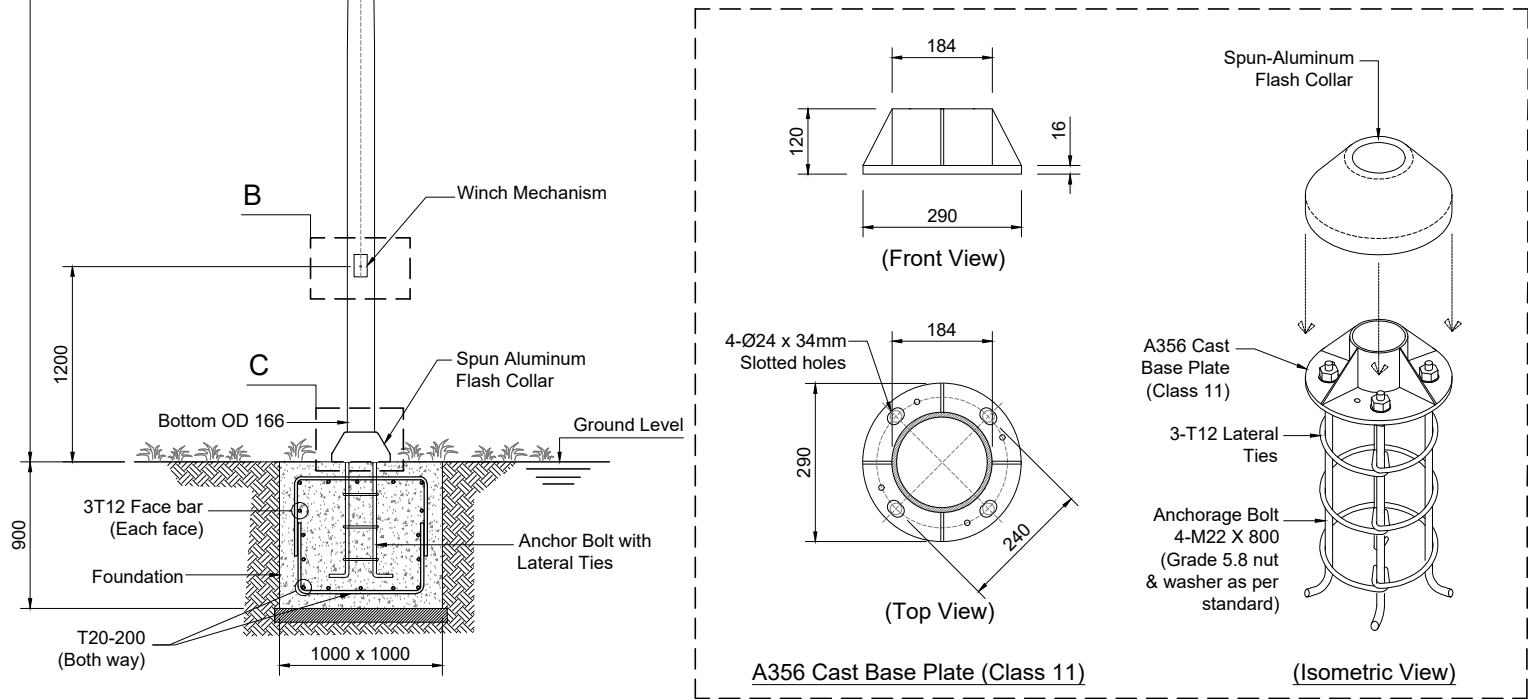


# FPA06



Detail B



Detail C

**NOTE:**  
All dimensions are in millimeters unless otherwise stated.

**SPECIFICATIONS:**

1. Cone-Tapered Flagpole.
2. Construction: Fabricate from seamless, extruded tubing complying with ASTM B 221, alloy 6063-T6, having a tensile strength not less than 30,000 psi with a yield point of 25,000 psi. Heat treat after fabrication to comply with ASTM B 597, Temper T6.
3. Surface treatment: Natural Brush finish

Date:	Scale: NTS
Drawn by :	Rev: 01

## 6m High Aluminum Flagpole



**PROSPEC SPECIALTIES INC.**  
3601 HIGHWAY 7, SUITE 400  
MARKHAM ON L3R 0M3, CANADA.  
TEL: (888) - 749 - 8456,  
FAX: (888) - 749 - 8455  
Email: [info@prospecspecialties.com](mailto:info@prospecspecialties.com)  
Web: [prospecspecialties.com](http://prospecspecialties.com)

**Disclaimer:** As Prospec Specialties' Policy is one of continual technical progress for the improvement of the company's services to its customers, the company reserves the right to modify the Designs of its products without notice.