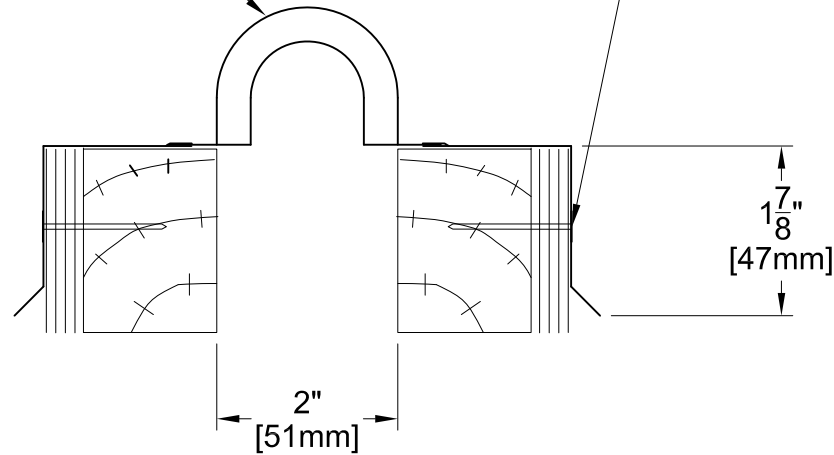


SAS02 SYSTEM

Elastomeric Bellows
with 4" Metal Flanges,
Set in Mastic

Grommeted Roofing Nails
(Contractor Furnished)
@ 8" on Center,
Starting 1" From Each End.



TECHNICAL DATA	IMPERIAL (in)	METRIC (mm)
Joint Width	2"	51
Movement ± (Horizontal)	1"	25
Movement ± (Vertical)	1"	25

Date: Feb., 2013

Scale: NTS

Rev:

Drawn by : NP

Application: Expansion Joint Cover for Roof
to Roof Condition

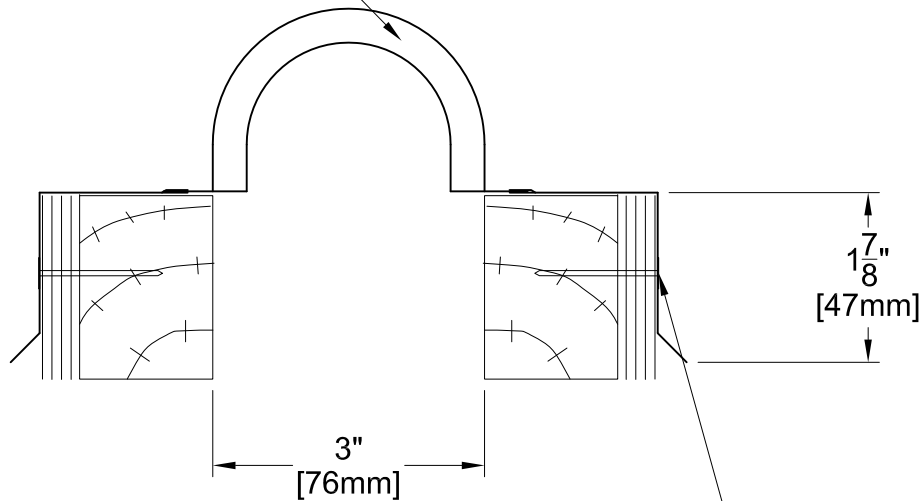


PROSPEC SPECIALTIES INC.
3601 HIGHWAY 7, SUITE 400
MARKHAM ON L3R 0M3, CANADA.
Tel: (888) - 749 - 8456,
Fax: (888) - 749 - 8455
Email: info@prospecspecialties.com
Web: prospecspecialties.com

Disclaimer: As Prospec Specialties' Policy is one of continual technical progress for the improvement of the company's services to its customers, the company reserves the right to modify the Designs of its products without notice.

SAS03 SYSTEM

Elastomeric Bellows
with 4" Metal Flanges,
Set in Mastic



Grommets Roofing Nails
(Contractor Furnished)
@ 8" on Center,
Starting 1" From Each End.

TECHNICAL DATA	IMPERIAL (in)	METRIC (mm)
Joint Width	3"	76
Movement ± (Horizontal)	1-1/2"	38
Movement ± (Vertical)	1-1/2"	38

Date: Feb., 2013	Scale: NTS
Rev:	Drawn by : NP

Application: Expansion Joint Cover for Roof to Roof Condition

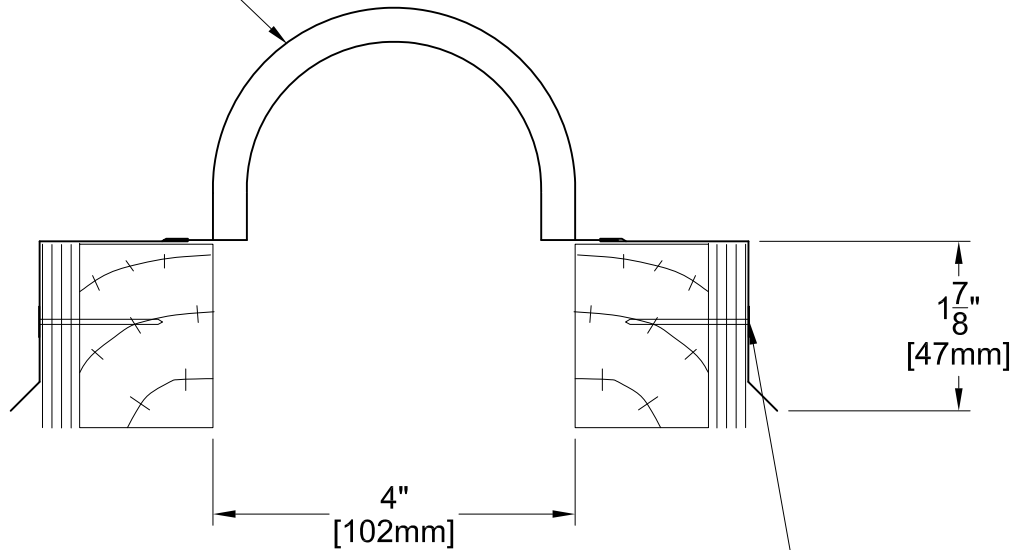


PROSPEC SPECIALTIES INC.
3601 HIGHWAY 7, SUITE 400
MARKHAM ON L3R 0M3, CANADA.
Tel: (888) - 749 - 8456,
Fax: (888) - 749 - 8455
Email: info@prospecspecialties.com
Web: prospecspecialties.com

Disclaimer: As Prospec Specialties' Policy is one of continual technical progress for the improvement of the company's services to its customers, the company reserves the right to modify the Designs of its products without notice.

SAS04 SYSTEM

Elastomeric Bellows
with 4" Metal Flanges,
Set in Mastic



Grommeted Roofing Nails
(Contractor Furnished)
@ 8" on Center,
Starting 1" From Each End.

TECHNICAL DATA	IMPERIAL (in)	METRIC (mm)
Joint Width	4"	102
Movement ± (Horizontal)	2"	51
Movement ± (Vertical)	2"	51

Date: Feb., 2013	Scale: NTS
Rev:	Drawn by : NP

Application: Expansion Joint Cover for Roof to Roof Condition

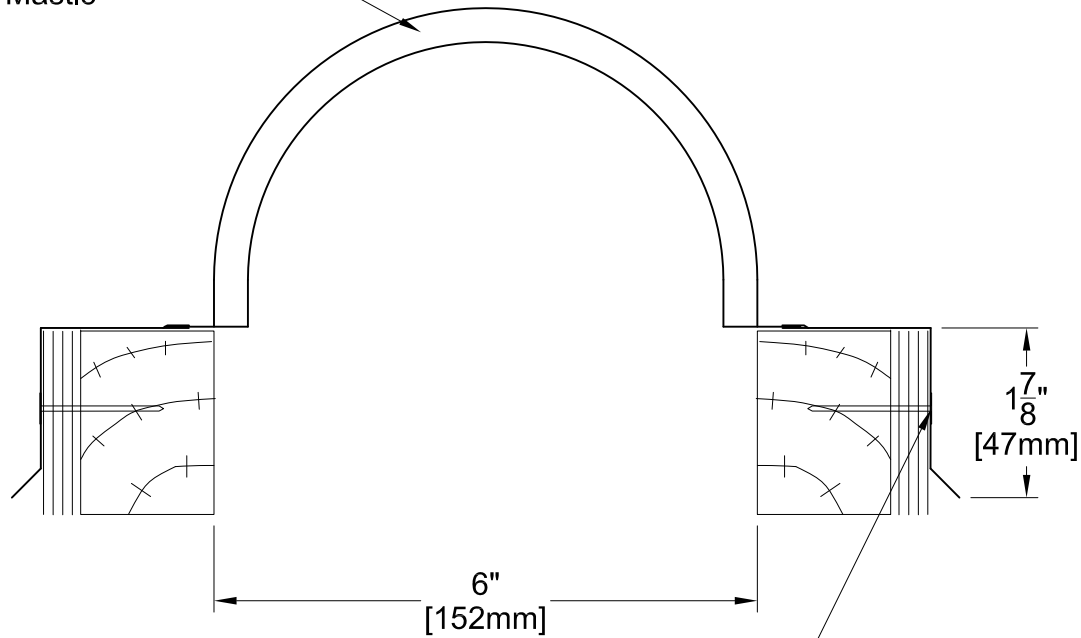


PROSPEC SPECIALTIES INC.
3601 HIGHWAY 7, SUITE 400
MARKHAM ON L3R 0M3, CANADA.
Tel: (888) - 749 - 8456,
Fax: (888) - 749 - 8455
Email: info@prospecspecialties.com
Web: prospecspecialties.com

Disclaimer: As Prospec Specialties' Policy is one of continual technical progress for the improvement of the company's services to its customers, the company reserves the right to modify the Designs of its products without notice.

SAS06 SYSTEM

Elastomeric Bellows
with 4" Metal Flanges,
Set in Mastic



Grommeted Roofing Nails
(Contractor Furnished)
@ 8" on Center,
Starting 1" From Each End.

TECHNICAL DATA	IMPERIAL (in)	METRIC (mm)
Joint Width	6"	152
Movement ± (Horizontal)	3"	76
Movement ± (Vertical)	3"	76

Date: Feb., 2013	Scale: NTS
Rev:	Drawn by : NP

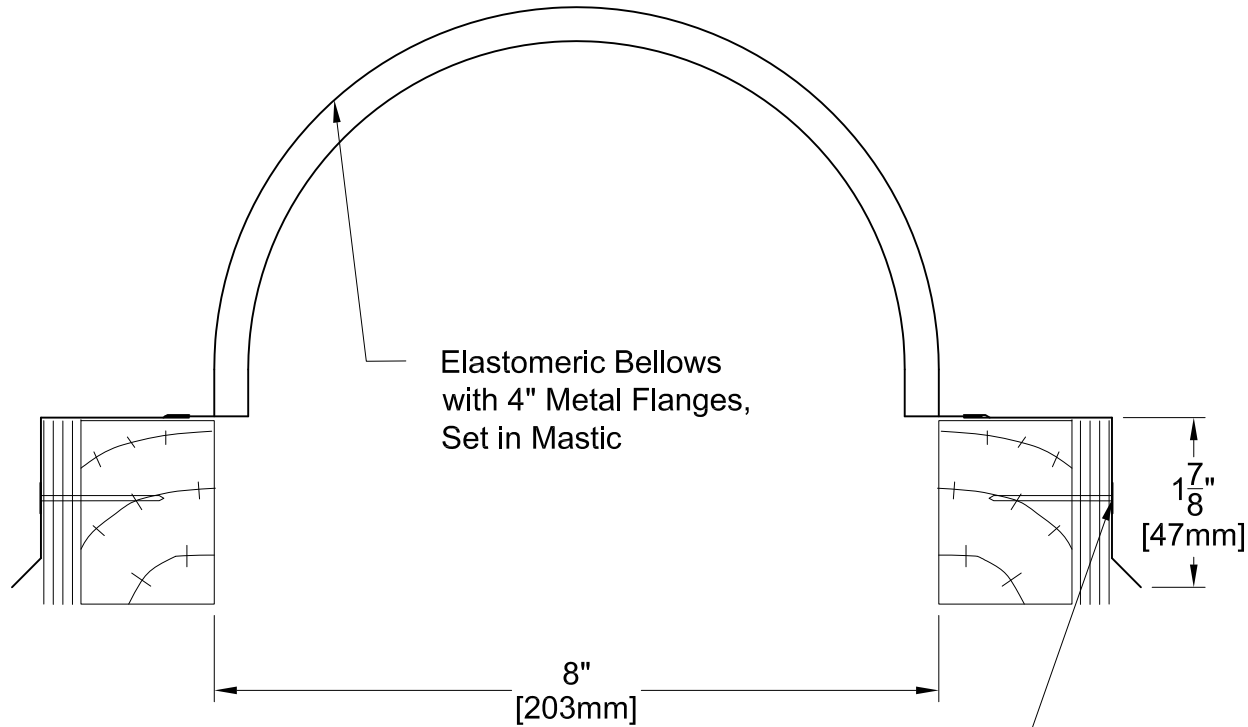
Application: Expansion Joint Cover for Roof to Roof Condition



PROSPEC SPECIALTIES INC.
3601 HIGHWAY 7, SUITE 400
MARKHAM ON L3R 0M3, CANADA.
Tel: (888) - 749 - 8456,
Fax: (888) - 749 - 8455
Email: info@prospecspecialties.com
Web: prospecspecialties.com

Disclaimer: As Prospec Specialties' Policy is one of continual technical progress for the improvement of the company's services to its customers, the company reserves the right to modify the Designs of its products without notice.

SAS08 SYSTEM



Grommeted Roofing Nails
(Contractor Furnished)
@ 8" on Center,
Starting 1" From Each End.

TECHNICAL DATA	IMPERIAL (in)	METRIC (mm)
Joint Width	8"	203
Movement ± (Horizontal)	4"	102
Movement ± (Vertical)	4"	102

Date: Feb., 2013	Scale: NTS
Rev:	Drawn by : NP

Application: Expansion Joint Cover for Roof to Roof Condition



PROSPEC SPECIALTIES INC.
3601 HIGHWAY 7, SUITE 400
MARKHAM ON L3R 0M3, CANADA.
Tel: (888) - 749 - 8456,
Fax: (888) - 749 - 8455
Email: info@prospecspecialties.com
Web: prospecspecialties.com

Disclaimer: As Prospec Specialties' Policy is one of continual technical progress for the improvement of the company's services to its customers, the company reserves the right to modify the Designs of its products without notice.