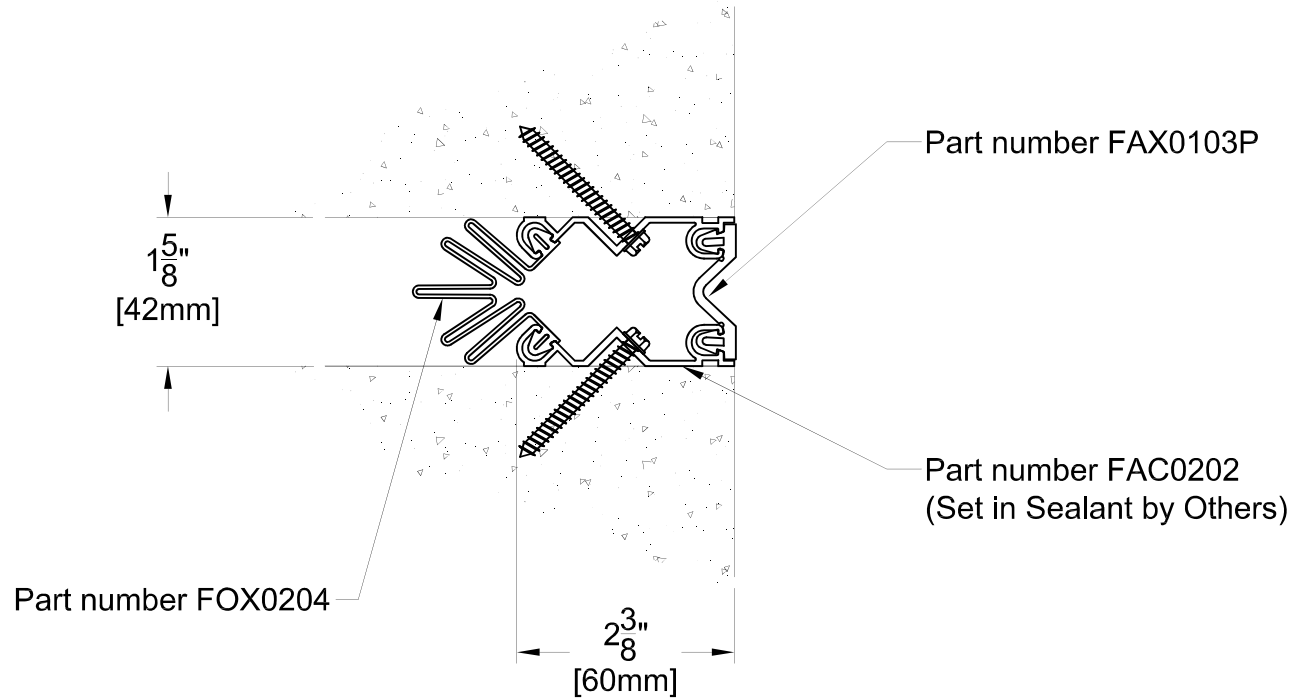


FOS01 SYSTEM



TECHNICAL DATA	IMPERIAL (in)	METRIC (mm)
Joint Width	1"	25
Movement ± (Horizontal)	1/2"	13
Movement ± (Vertical)	1/2"	13

Date: Jan., 2012 Scale: NTS

Rev: Drawn by :

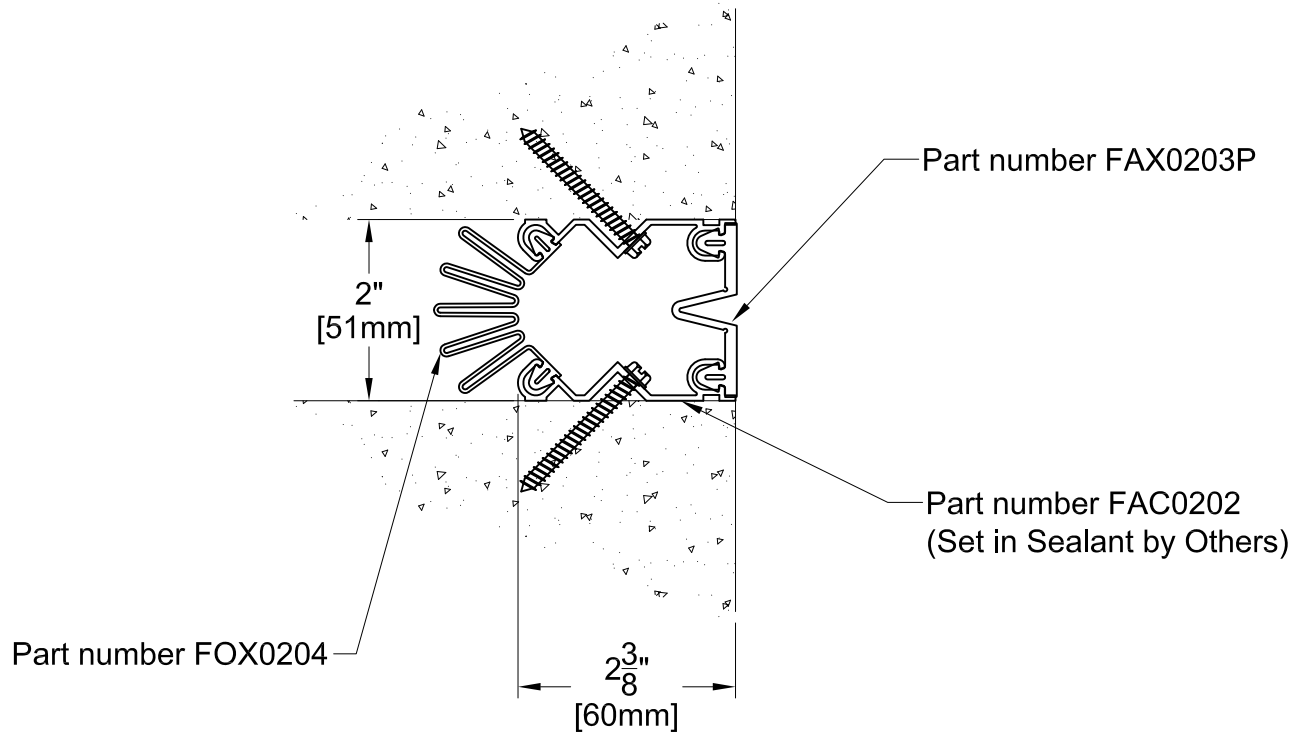
Application: Expansion Joint Cover for Wall-to Wall / Ceiling to Ceiling



PROSPEC SPECIALTIES INC.
 3601 HIGHWAY 7, SUITE 400
 MARKHAM ON L3R 0M3, CANADA.
 Tel: (888) - 749 - 8456,
 Fax: (888) - 749 - 8455
 Email: info@prospecspecialties.com
 Web: prospecspecialties.com

Disclaimer: As Prospec Specialties' Policy is one of continual technical progress for the improvement of the company's services to its customers, the company reserves the right to modify the Designs of its products without notice.

FOS02 SYSTEM



TECHNICAL DATA	IMPERIAL (in)	METRIC (mm)
Joint Width	2"	51
Movement ± (Horizontal)	1"	25
Movement ± (Vertical)	1"	25

Date: Jan., 2012 Scale: NTS

Rev: 01 Drawn by :

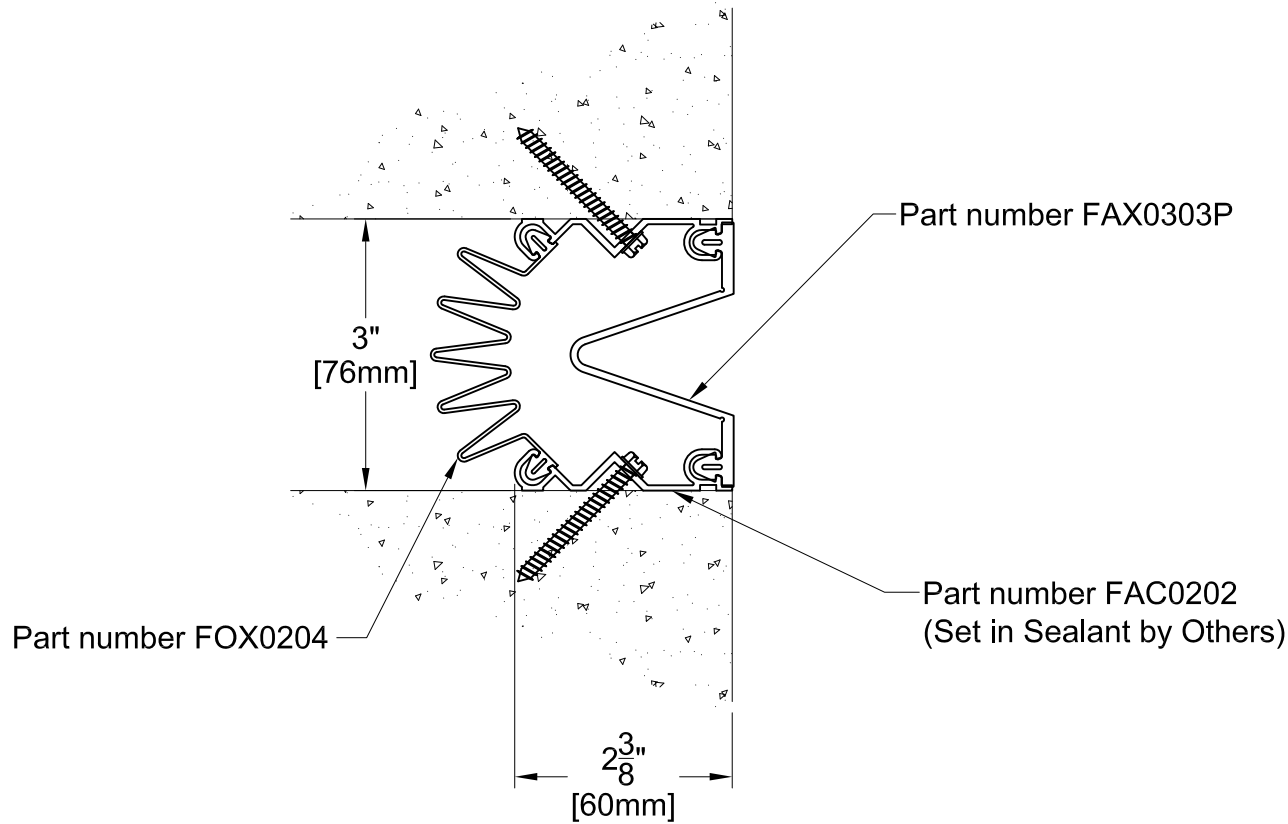
Application: Expansion Joint Cover for Wall-to Wall / Ceiling to Ceiling



PROSPEC SPECIALTIES INC.
 3601 HIGHWAY 7, SUITE 400
 MARKHAM ON L3R 0M3, CANADA.
 Tel: (888) - 749 - 8456,
 Fax: (888) - 749 - 8455
 Email: info@prospecspecialties.com
 Web: prospecspecialties.com

Disclaimer: As Prospec Specialties' Policy is one of continual technical progress for the improvement of the company's services to its customers, the company reserves the right to modify the Designs of its products without notice.

FOS03 SYSTEM



TECHNICAL DATA	IMPERIAL (in)	METRIC (mm)
Joint Width	3"	76
Movement ± (Horizontal)	1-1/2"	38
Movement ± (Vertical)	1-1/2"	38

Date: Jan., 2012 Scale: NTS
 Rev: 01 Drawn by :

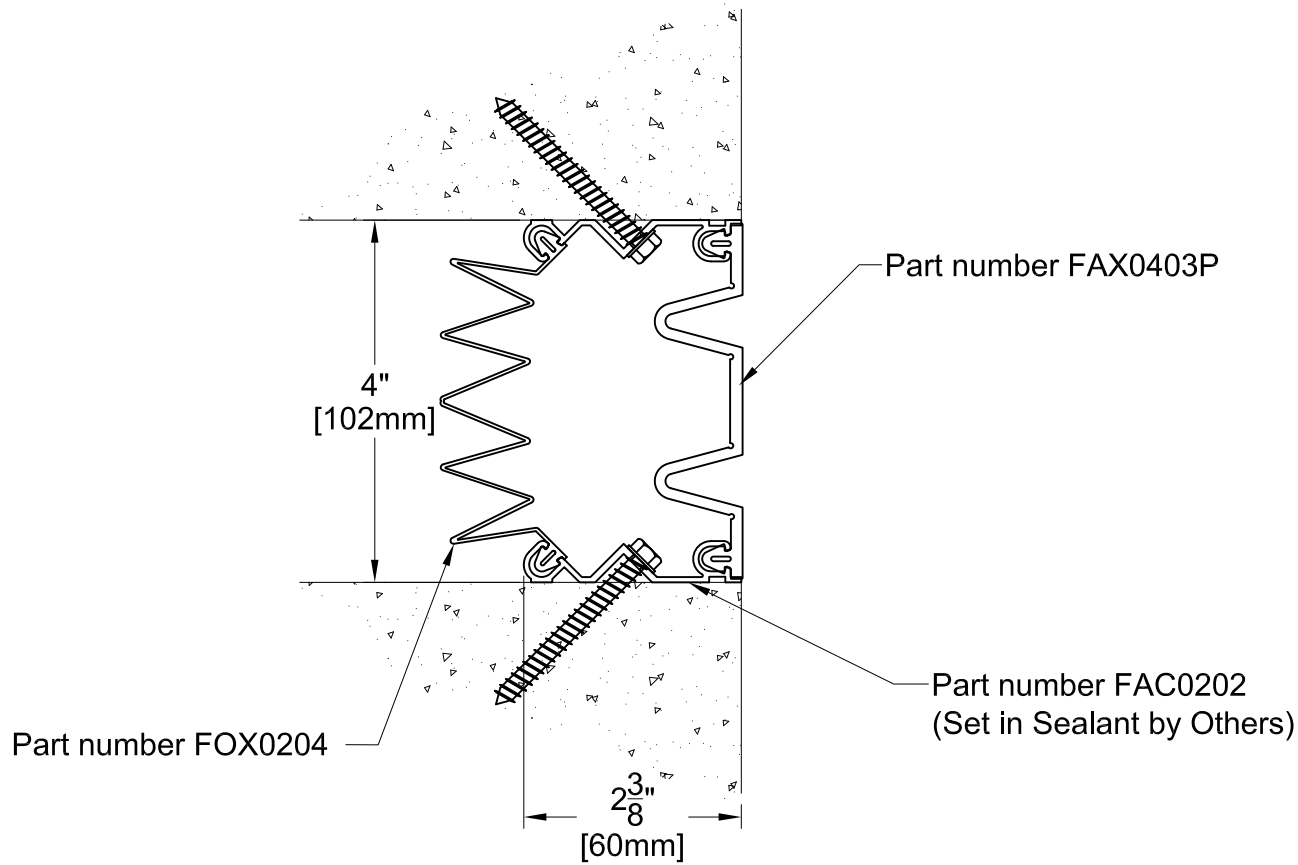
Application: Expansion Joint Cover for Wall-to Wall / Ceiling to Ceiling



PROSPEC SPECIALTIES INC.
 3601 HIGHWAY 7, SUITE 400
 MARKHAM ON L3R 0M3, CANADA.
 Tel: (888) - 749 - 8456,
 Fax: (888) - 749 - 8455
 Email: info@prospecspecialties.com
 Web: prospecspecialties.com

Disclaimer: As Prospec Specialties' Policy is one of continual technical progress for the improvement of the company's services to its customers, the company reserves the right to modify the Designs of its products without notice.

FOS04 SYSTEM



TECHNICAL DATA	IMPERIAL (in)	METRIC (mm)
Joint Width	4"	102
Movement ± (Horizontal)	2"	51
Movement ± (Vertical)	2"	51

Date: Jan., 2012 Scale: NTS

Rev: 01 Drawn by :

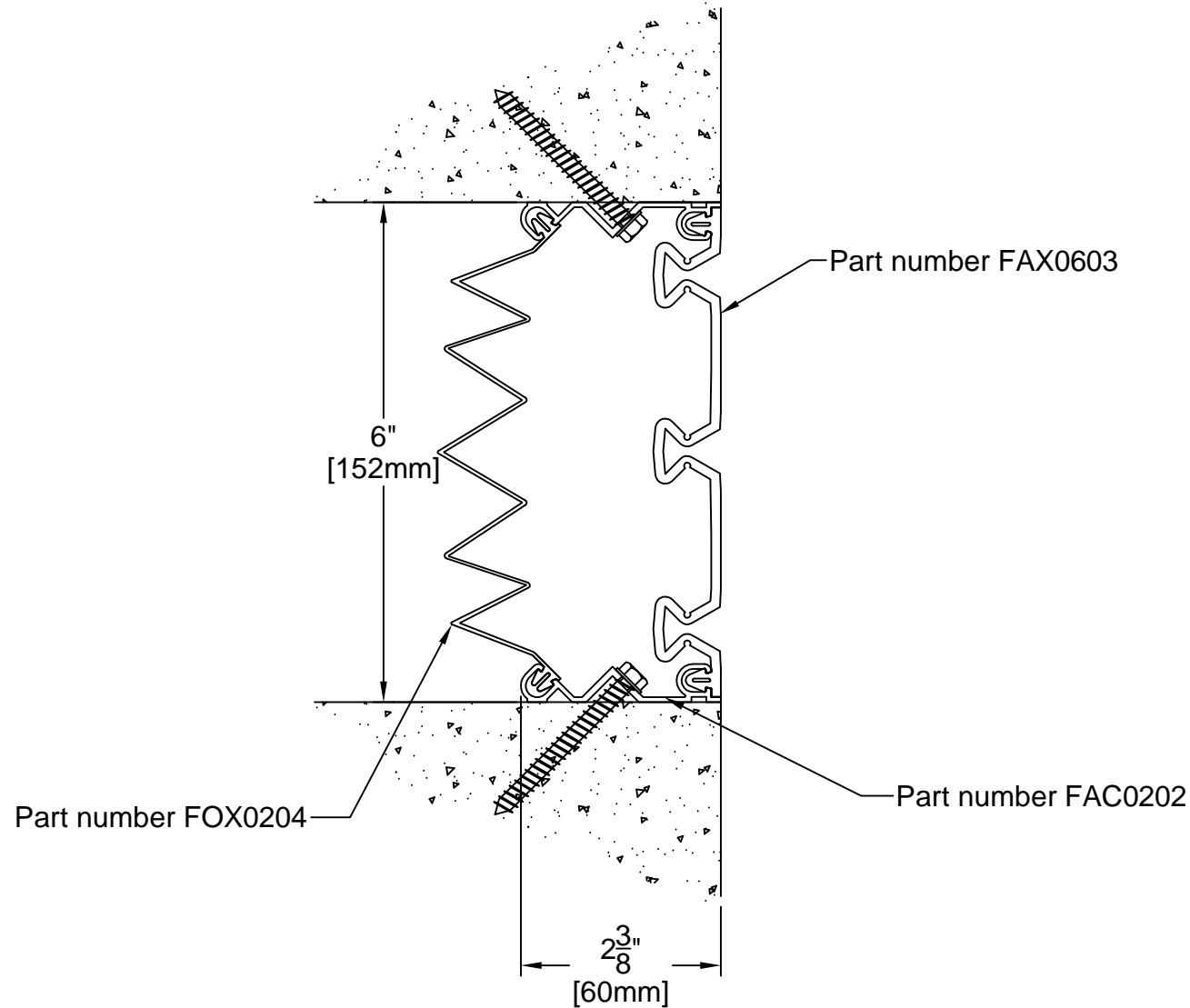
Application: Expansion Joint Cover for Wall-to Wall / Ceiling to Ceiling



PROSPEC SPECIALTIES INC.
 3601 HIGHWAY 7, SUITE 400
 MARKHAM ON L3R 0M3, CANADA.
 Tel: (888) - 749 - 8456,
 Fax: (888) - 749 - 8455
 Email: info@prospecspecialties.com
 Web: prospecspecialties.com

Disclaimer: As Prospec Specialties' Policy is one of continual technical progress for the improvement of the company's services to its customers, the company reserves the right to modify the Designs of its products without notice.

FOS06 SYSTEM



TECHNICAL DATA	IMPERIAL (in)	METRIC (mm)
Joint Width	6"	152
Movement ± (Horizontal)	3"	76
Movement ± (Vertical)	3"	76

Date: Jan., 2012 Scale: Half

Rev: Drawn by :

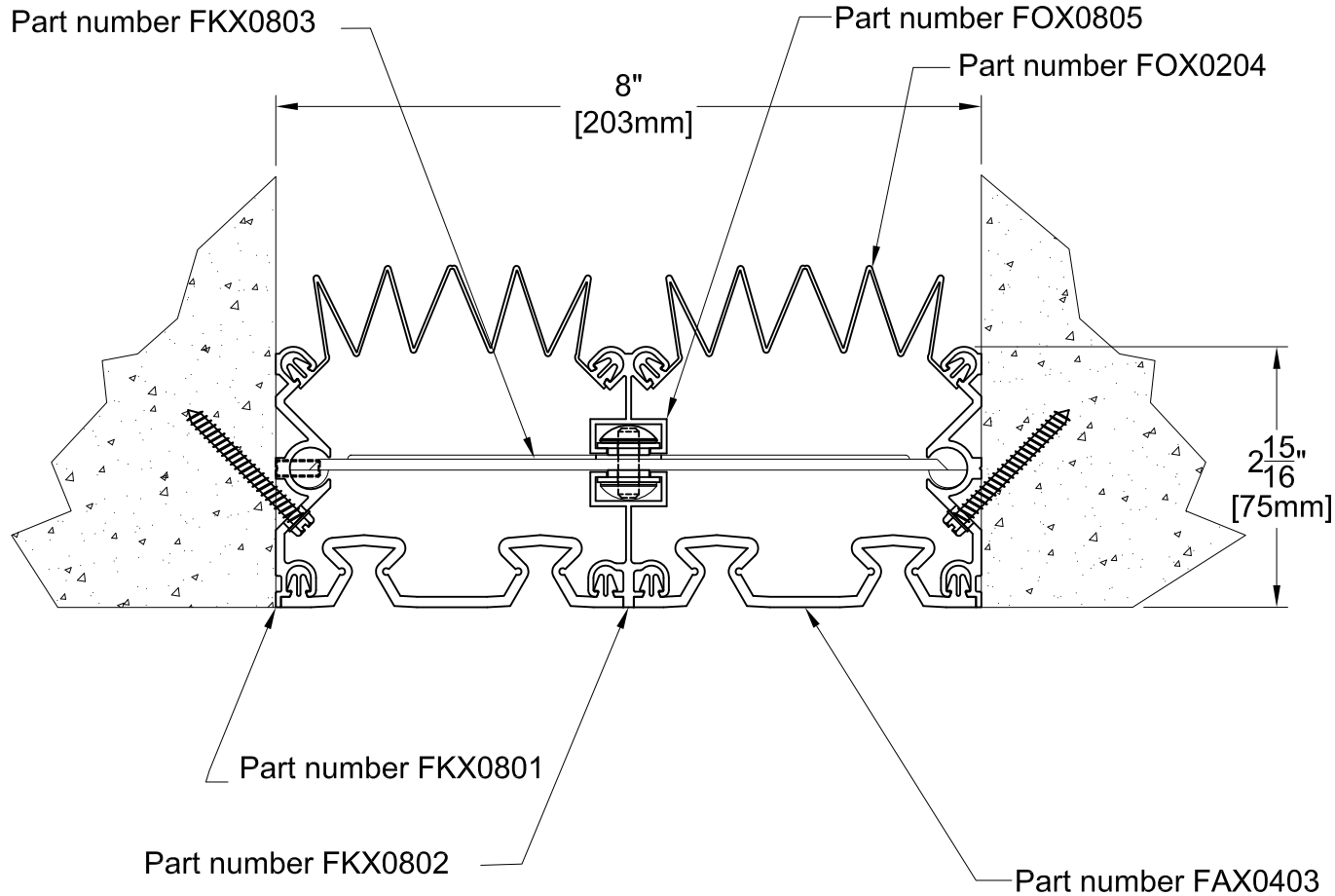
Application: Expansion Joint Cover for Wall-to Wall / Ceiling to Ceiling



PROSPEC SPECIALTIES INC.
 3601 HIGHWAY 7, SUITE 400
 MARKHAM ON L3R 0M3, CANADA.
 Tel: (888) - 749 - 8456,
 Fax: (888) - 749 - 8455
 Email: info@prospecspecialties.com
 Web: prospectspecialties.com

Disclaimer: As Prospec Specialties' Policy is one of continual technical progress for the improvement of the company's services to its customers, the company reserves the right to modify the Designs of its products without notice

FOS08 SYSTEM



TECHNICAL DATA	IMPERIAL (in)	METRIC (mm)
Joint Width	8	203
Movement ± (Horizontal)	4"	102
Movement ± (Vertical)	4"	102

Date: Jan., 2012 Scale: NTS
 Rev: Drawn by :

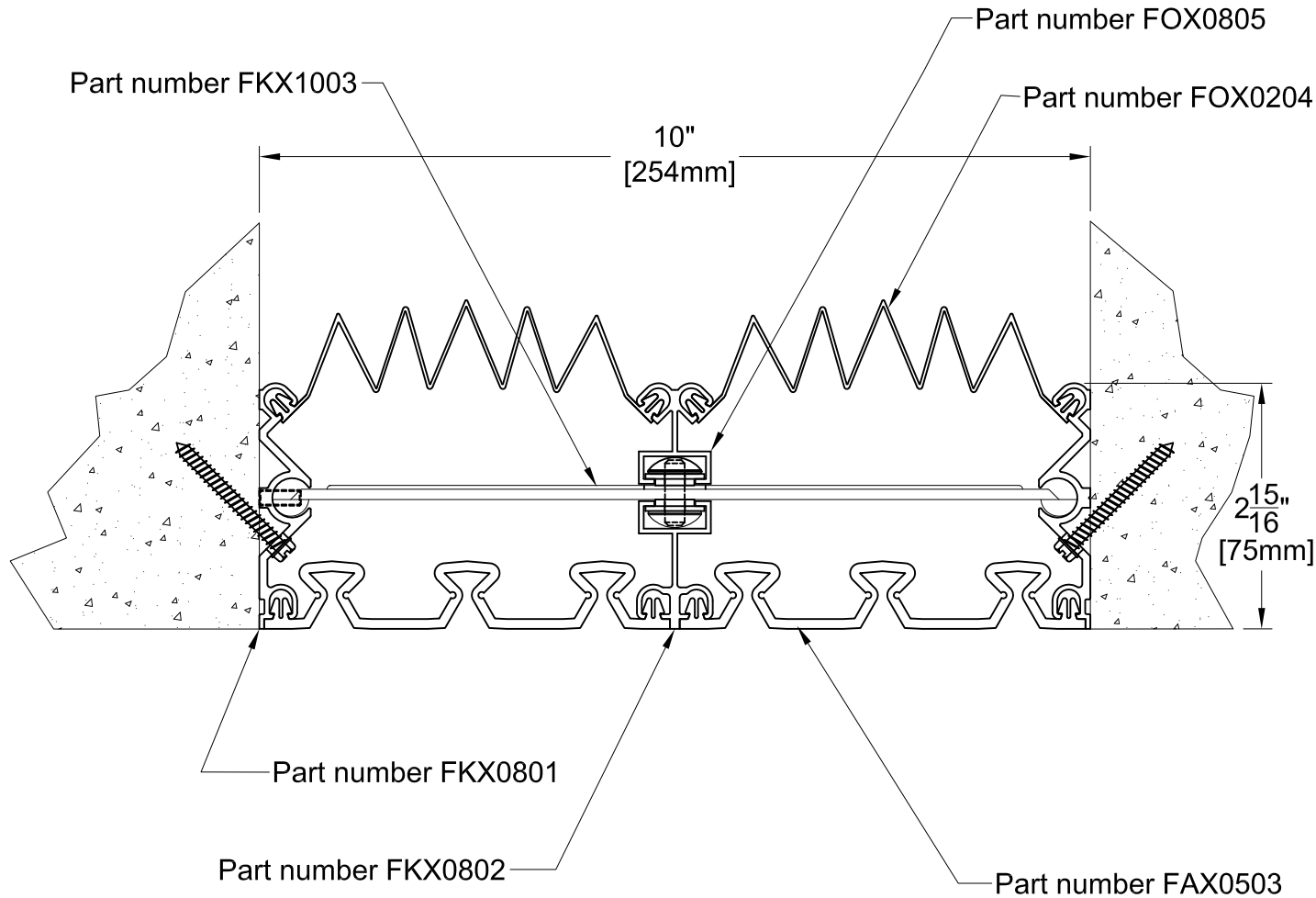
Application: Expansion Joint Cover for Wall-to Wall / Ceiling to Ceiling



PROSPEC SPECIALTIES INC.
 3601 HIGHWAY 7, SUITE 400
 MARKHAM ON L3R 0M3, CANADA.
 Tel: (888) - 749 - 8456,
 Fax: (888) - 749 - 8455
 Email: info@prospecspecialties.com
 Web: prospecspecialties.com

Disclaimer: As Prospec Specialties' Policy is one of continual technical progress for the improvement of the company's services to its customers, the company reserves the right to modify the Designs of its products without notice.

FOS10 SYSTEM



TECHNICAL DATA	IMPERIAL (in)	METRIC (mm)
Joint Width	10	254
Movement ± (Horizontal)	5"	127
Movement ± (Vertical)	5"	127

Date: Jan., 2012 Scale: NTS

Rev: Drawn by :

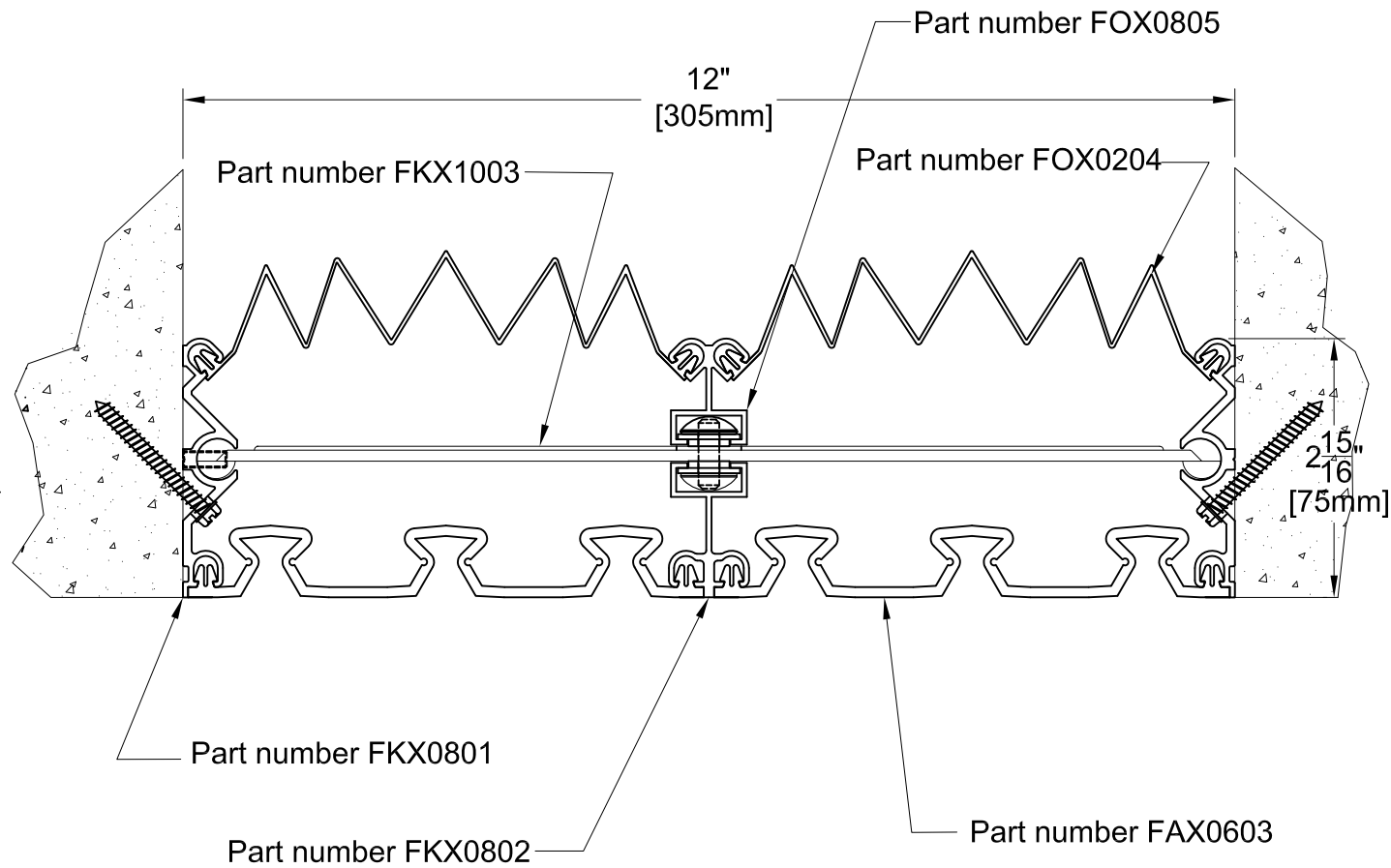
Application: Expansion Joint Cover for Wall-to Wall / Ceiling to Ceiling



PROSPEC SPECIALTIES INC.
 3601 HIGHWAY 7, SUITE 400
 MARKHAM ON L3R 0M3, CANADA.
 Tel: (888) - 749 - 8456,
 Fax: (888) - 749 - 8455
 Email: info@prospecspecialties.com
 Web: prospecspecialties.com

Disclaimer: As Prospec Specialties' Policy is one of continual technical progress for the improvement of the company's services to its customers, the company reserves the right to modify the Designs of its products without notice.

FOS12 SYSTEM



TECHNICAL DATA	IMPERIAL (in)	METRIC (mm)
Joint Width	12	305
Movement ± (Horizontal)	6"	152
Movement ± (Vertical)	6"	152

Date: Jan., 2012 Scale: NTS
 Rev: Drawn by :

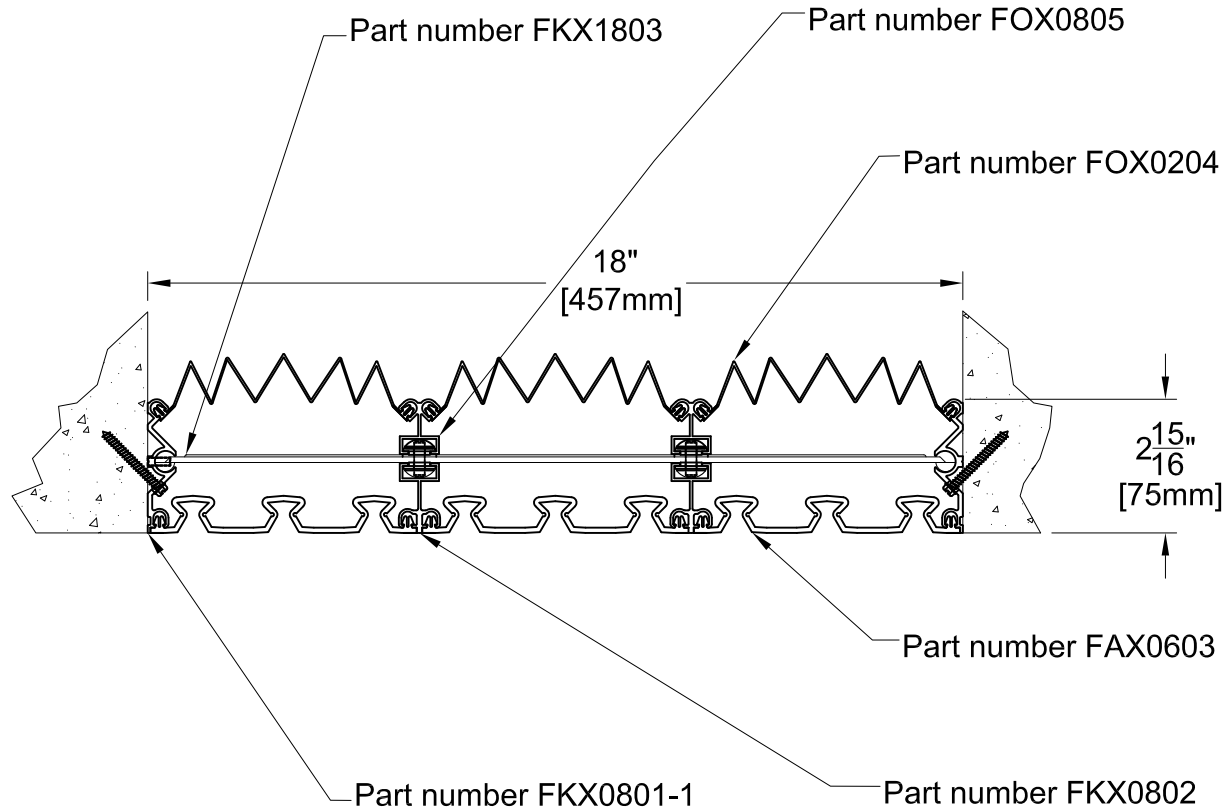
Application: Expansion Joint Cover for Wall-to Wall / Ceiling to Ceiling



PROSPEC SPECIALTIES INC.
 3601 HIGHWAY 7, SUITE 400
 MARKHAM ON L3R 0M3, CANADA.
 Tel: (888) - 749 - 8456,
 Fax: (888) - 749 - 8455
 Email: info@prospecspecialties.com
 Web: prospecspecialties.com

Disclaimer: As Prospec Specialties' Policy is one of continual technical progress for the improvement of the company's services to its customers, the company reserves the right to modify the Designs of its products without notice.

FOS18 SYSTEM



TECHNICAL DATA	IMPERIAL (in)	METRIC (mm)
Joint Width	18	457
Movement ± (Horizontal)	9"	229
Movement ± (Vertical)	9"	229

Date: Jan., 2012	Scale: NTS
Rev:	Drawn by :

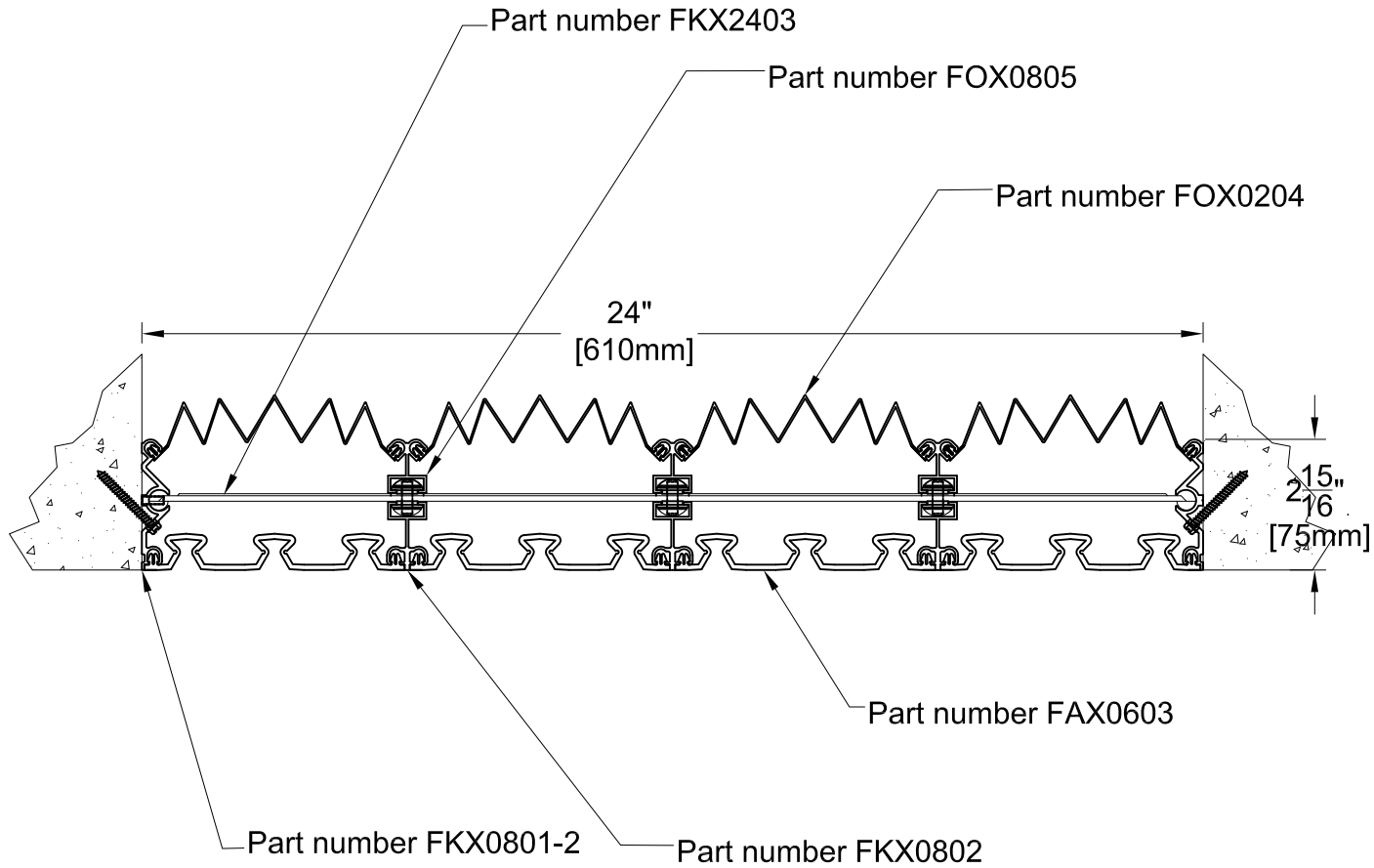
Application: Expansion Joint Cover for Wall-to Wall / Ceiling to Ceiling



PROSPEC SPECIALTIES INC.
 3601 HIGHWAY 7, SUITE 400
 MARKHAM ON L3R 0M3, CANADA.
 Tel: (888) - 749 - 8456,
 Fax: (888) - 749 - 8455
 Email: info@prospecspecialties.com
 Web: prospecspecialties.com

Disclaimer: As Prospec Specialties' Policy is one of continual technical progress for the improvement of the company's services to its customers, the company reserves the right to modify the Designs of its products without notice.

FOS24 SYSTEM



TECHNICAL DATA	IMPERIAL (in)	METRIC (mm)
Joint Width	24	610
Movement ± (Horizontal)	12"	305
Movement ± (Vertical)	12"	305

Date: Jan., 2012 Scale: NTS

Rev: Drawn by :

Application: Expansion Joint Cover for Wall-to Wall / Ceiling to Ceiling



PROSPEC SPECIALTIES INC.
 3601 HIGHWAY 7, SUITE 400
 MARKHAM ON L3R 0M3, CANADA.
 Tel: (888) - 749 - 8456,
 Fax: (888) - 749 - 8455
 Email: info@prospecspecialties.com
 Web: prospecspecialties.com

Disclaimer: As Prospec Specialties' Policy is one of continual technical progress for the improvement of the company's services to its customers, the company reserves the right to modify the Designs of its products without notice.