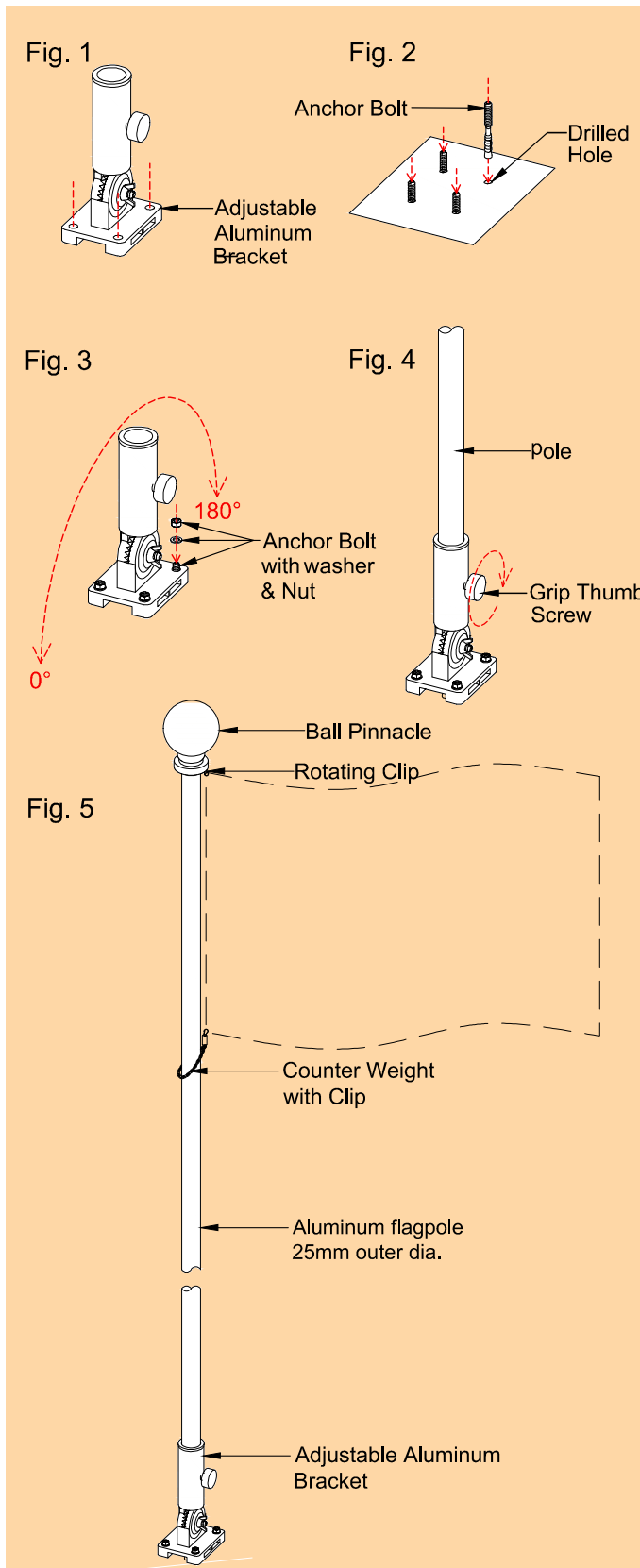


Adjustable Aluminum Flagpole 2.1 m Height



1. Install the adjustable flagpole on mounted surface. Prepare and clean the surface of a concrete base or foundation manually.

Figure 1:

2. Mount the adjustable aluminum bracket to the desired surface substrate, ensure the bracket is on the correct direction and mark holes on the substrate.

3. Remove the bracket and drill the marked holes using concrete drill bit.

Figure 2:

4. Fix the four-anchor bolts on each drilled hole on the substrate.

Figure 3:

5. Place the adjustable mounting bracket into position of the fixed anchors on the substrate, secure and tighten each nut with the washer.

6. Set the bracket to the desired angle. The bracket is adjustable from 0 to 180 degrees, you can choose and apply any angle.

Figure 4:

7. Fit the flagpole and tighten with the grip thumb screw to secure the pole within the bracket.

Figure 5:

8. Flag setup, attach the flag to the top of the rotating clip to counter weight beads with clip or to the rotating ring clip. The flag is now attached to the top half of the pole and spins freely.

