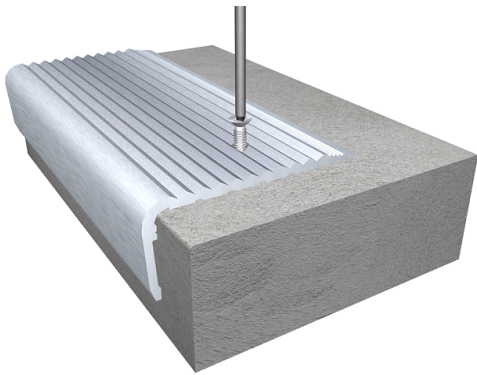
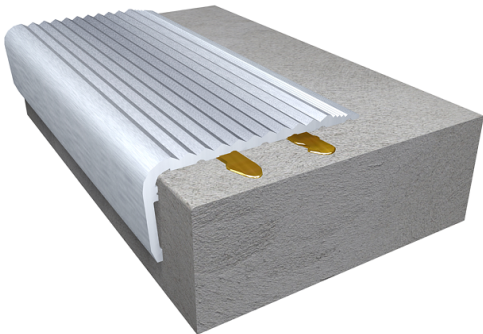
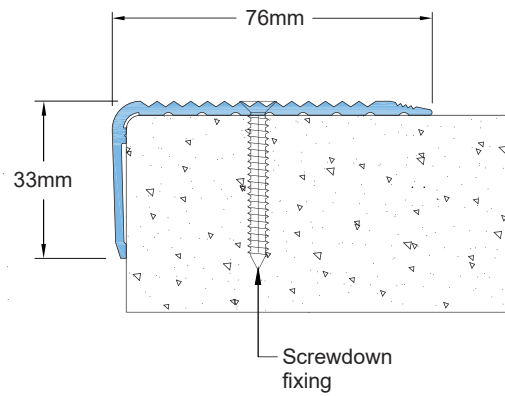


**Features**

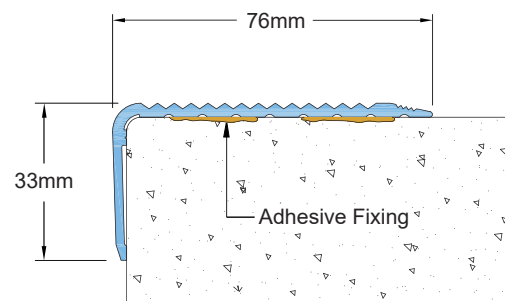
- System designed for interior/exterior application
- Retrofit design for easy installation
- Easy installation & maintenance
- 3" (76mm) tread area
- 1-3/10" (33mm) riser area
- Standard profile length 10' (3 meters)
- Factory cut & drilled option available
- Suitable for dry / wet anchoring
- Made of construction grade aluminum alloy 6063 T6



**SNA 03 Screwdown Fixing**



**SNA 03 Adhesive Fixing**



**Color Options:**



MILL FINISH



SILVER ANODIZED



TITANIUM FINISH



BRONZE FINISH

Special Note: Customer is encouraged to locally source anchors and construction grade external adhesive for fixing because the local conditions vary from country to country