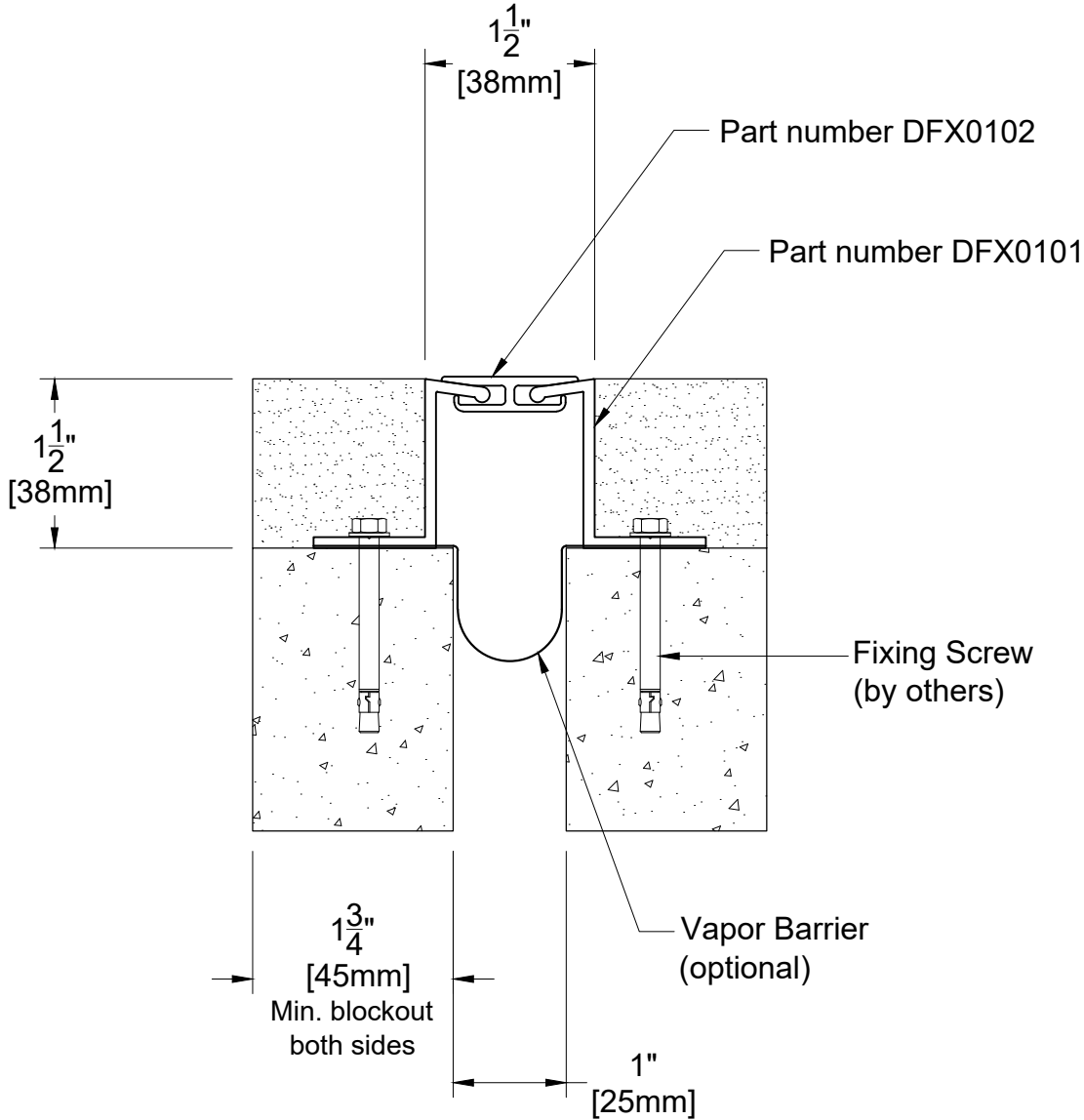


# DFS01 SYSTEM



| TECHNICAL DATA          | IMPERIAL (inc) | METRIC (mm) |
|-------------------------|----------------|-------------|
| Joint Width             | 1"             | 25          |
| Movement ± (Horizontal) | 1/4"           | 6           |
| Movement ± (Vertical)   | 1/4"           | 6           |
| Load                    | 3 Tons         |             |
| Date:                   | Scale: NTS     |             |
| Rev: 01                 | Drawn by :     |             |

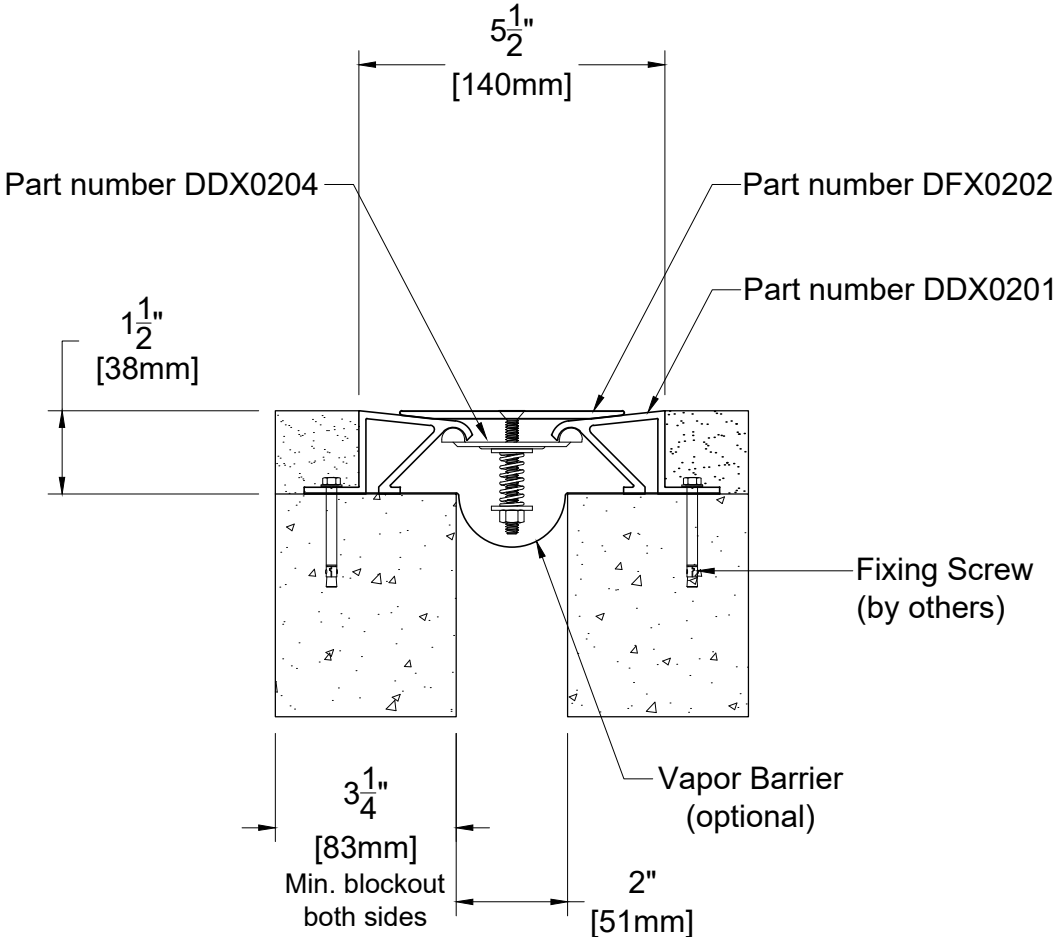
**APPLICATION:**  
Expansion Joint Cover for Floor to Floor Condition



PROSPEC SPECIALTIES INC.  
3601 HIGHWAY 7, SUITE 400  
MARKHAM ON L3R 0M3, CANADA.  
TEL: (888) - 749 - 8456,  
FAX: (888) - 749 - 8455  
Email: info@prospecspecialties.com  
Web: prospecspecialties.com

Disclaimer: As Prospec Specialties' Policy is one of continual technical progress for the improvement of the company's services to its customers, the company reserves the right to modify the Designs of its products without notice.

# DFS02 SYSTEM



| TECHNICAL DATA          | IMPERIAL (inc) | METRIC (mm) |
|-------------------------|----------------|-------------|
| Joint Width             | 2"             | 51          |
| Movement ± (Horizontal) | 1"             | 25          |
| Movement ± (Vertical)   | 1/2"           | 13          |
| Load                    | 3 Tons         |             |
| Date:                   | Scale: NTS     |             |
| Rev: 01                 | Drawn by :     |             |

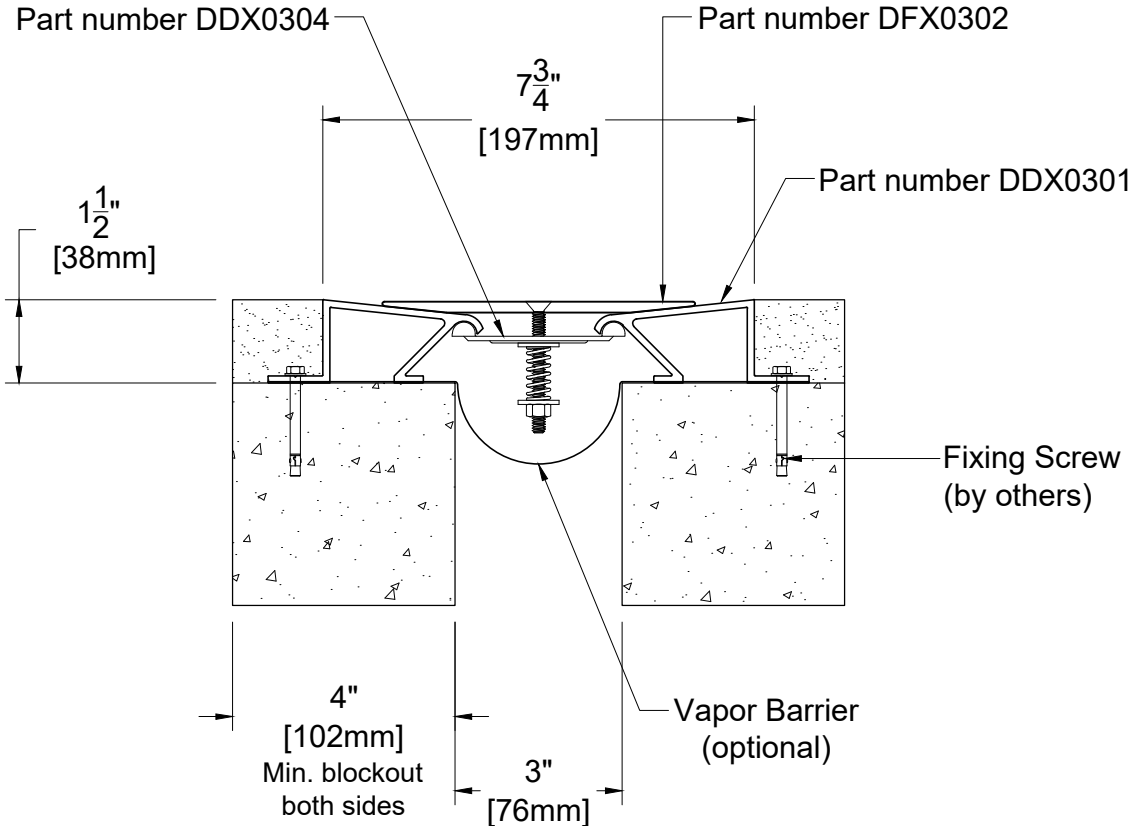
**APPLICATION:**  
Expansion Joint Cover for Floor to Floor Condition



PROSPEC SPECIALTIES INC.  
3601 HIGHWAY 7, SUITE 400  
MARKHAM ON L3R 0M3, CANADA.  
TEL: (888) - 749 - 8456,  
FAX: (888) - 749 - 8455  
Email: info@prospecspecialties.com  
Web: prospecspecialties.com

Disclaimer: As Prospec Specialties' Policy is one of continual technical progress for the improvement of the company's services to its customers, the company reserves the right to modify the Designs of its products without notice.

# DFS03 SYSTEM



| TECHNICAL DATA          | IMPERIAL (inc) | METRIC (mm) |
|-------------------------|----------------|-------------|
| Joint Width             | 3"             | 76          |
| Movement ± (Horizontal) | 1-1/2"         | 38          |
| Movement ± (Vertical)   | 3/4"           | 19          |
| Load                    | 3 Tons         |             |
| Date:                   | Scale: NTS     |             |
| Rev: 01                 | Drawn by :     |             |

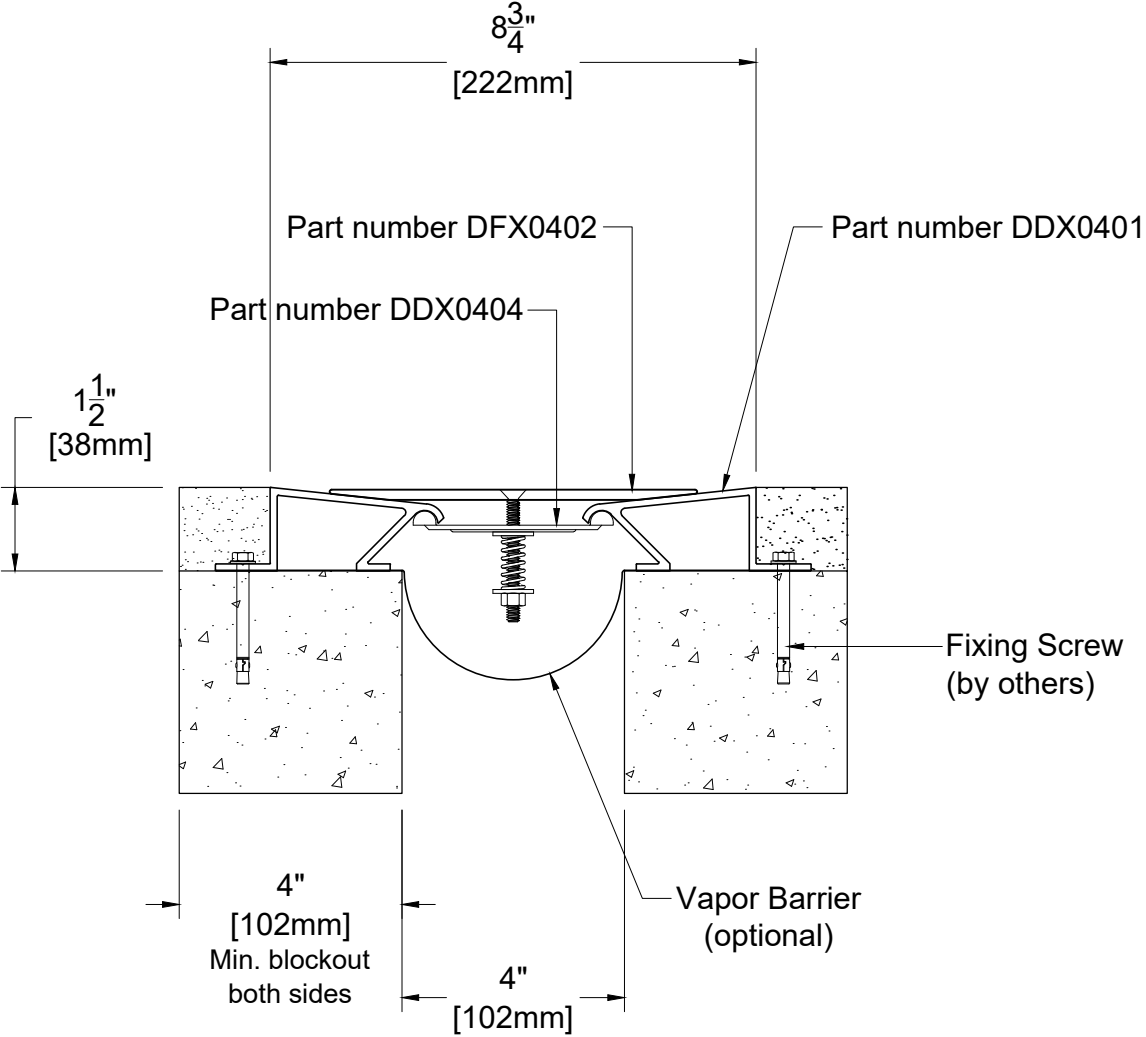
**APPLICATION:**  
Expansion Joint Cover for Floor to Floor Condition



PROSPEC SPECIALTIES INC.  
3601 HIGHWAY 7, SUITE 400  
MARKHAM ON L3R 0M3, CANADA.  
TEL: (888) - 749 - 8456,  
FAX: (888) - 749 - 8455  
Email: info@prospecspecialties.com  
Web: prospecspecialties.com

Disclaimer: As Prospec Specialties' Policy is one of continual technical progress for the improvement of the company's services to its customers, the company reserves the right to modify the Designs of its products without notice.

# DFS04 SYSTEM



| TECHNICAL DATA          | IMPERIAL<br>(inc) | METRIC<br>(mm) |
|-------------------------|-------------------|----------------|
| Joint Width             | 4"                | 102            |
| Movement ± (Horizontal) | 2"                | 51             |
| Movement ± (Vertical)   | 1"                | 25             |
| Load                    | 3 Tons            |                |
| Date:                   | Scale: NTS        |                |
| Rev: 01                 | Drawn by :        |                |

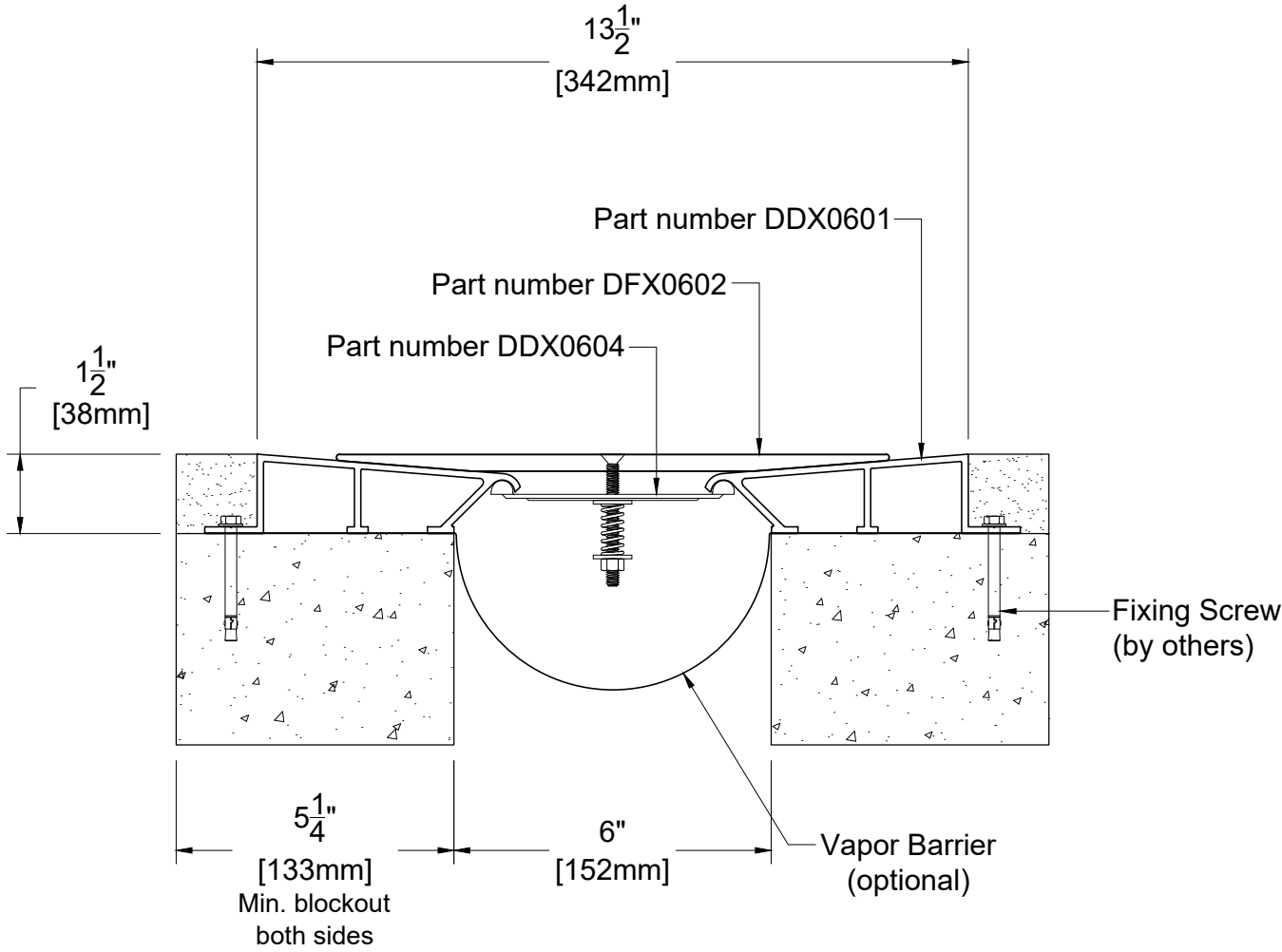
**APPLICATION:**  
Expansion Joint Cover for Floor to Floor Condition



PROSPEC SPECIALTIES INC.  
3601 HIGHWAY 7, SUITE 400  
MARKHAM ON L3R 0M3, CANADA.  
TEL: (888) - 749 - 8456,  
FAX: (888) - 749 - 8455  
Email: info@prospecspecialties.com  
Web: prospecspecialties.com

Disclaimer: As Prospec Specialties' Policy is one of continual technical progress for the improvement of the company's services to its customers, the company reserves the right to modify the Designs of its products without notice.

# DFS06 SYSTEM



| TECHNICAL DATA          | IMPERIAL (inc) | METRIC (mm) |
|-------------------------|----------------|-------------|
| Joint Width             | 6"             | 152         |
| Movement ± (Horizontal) | 3"             | 76          |
| Movement ± (Vertical)   | 1-1/2"         | 38          |
| Load                    | 3 Tons         |             |
| Date:                   | Scale: NTS     |             |
| Rev: 01                 | Drawn by :     |             |

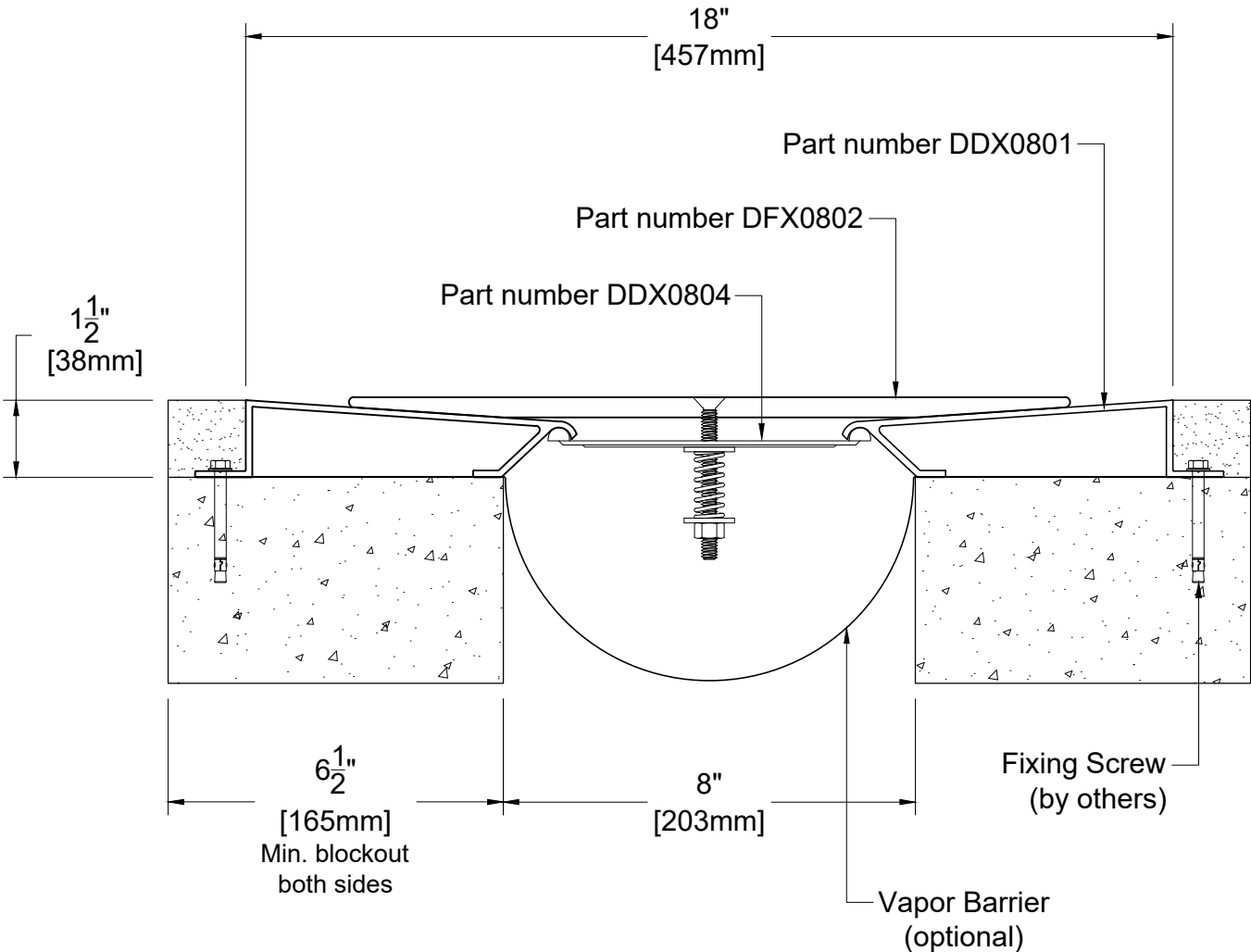
**APPLICATION:**  
Expansion Joint Cover for Floor to Floor Condition



PROSPEC SPECIALTIES INC.  
3601 HIGHWAY 7, SUITE 400  
MARKHAM ON L3R 0M3, CANADA.  
TEL: (888) - 749 - 8456,  
FAX: (888) - 749 - 8455  
Email: info@prospecspecialties.com  
Web: prospectspecialties.com

Disclaimer: As Prospec Specialties' Policy is one of continual technical progress for the improvement of the company's services to its customers, the company reserves the right to modify the Designs of its products without notice.

# DFS08 SYSTEM



| TECHNICAL DATA          | IMPERIAL<br>(inc) | METRIC<br>(mm) |
|-------------------------|-------------------|----------------|
| Joint Width             | 8"                | 203            |
| Movement ± (Horizontal) | 4"                | 102            |
| Movement ± (Vertical)   | 2"                | 51             |
| Load                    | 3 Tons            |                |
| Date:                   | Scale: NTS        |                |
| Rev: 01                 | Drawn by :        |                |

**APPLICATION:**  
Expansion Joint Cover for Floor to Floor Condition



PROSPEC SPECIALTIES INC.  
3601 HIGHWAY 7, SUITE 400  
MARKHAM ON L3R 0M3, CANADA.  
TEL: (888) - 749 - 8456,  
FAX: (888) - 749 - 8455  
Email: [info@prospecspecialties.com](mailto:info@prospecspecialties.com)  
Web: [prospecspecialties.com](http://prospecspecialties.com)

Disclaimer: As Prospec Specialties' Policy is one of continual technical progress for the improvement of the company's services to its customers, the company reserves the right to modify the Designs of its products without notice.